



US00D435576S

United States Patent [19]
McBride

[11] **Patent Number: Des. 435,576**

[45] **Date of Patent: ** Dec. 26, 2000**

[54] **VIDEO CAMERA HOUSING**

5,678,108 10/1997 Chrosziel 396/530
6,061,087 5/2000 Schieltz et al. 348/373

[76] Inventor: **Richard L. McBride**, 200 Madonna Blvd., Tierra Verde, Fla. 33715

Primary Examiner—Adir Aronovich
Attorney, Agent, or Firm—Larson & Larson, PA; James E. Larson

[**] Term: **14 Years**

[21] Appl. No.: **29/119,900**

[57] **CLAIM**

[22] Filed: **Mar. 10, 2000**

The ornamental design for a video camera housing, as shown and described.

[51] **LOC (7) Cl.** **16-01**

DESCRIPTION

[52] **U.S. Cl.** **D16/203; D26/2**

[58] **Field of Search** D16/200–205;
D26/1–3; 313/315, 318.01; 348/373–376,
151, 143; 396/427, 530, 535–541

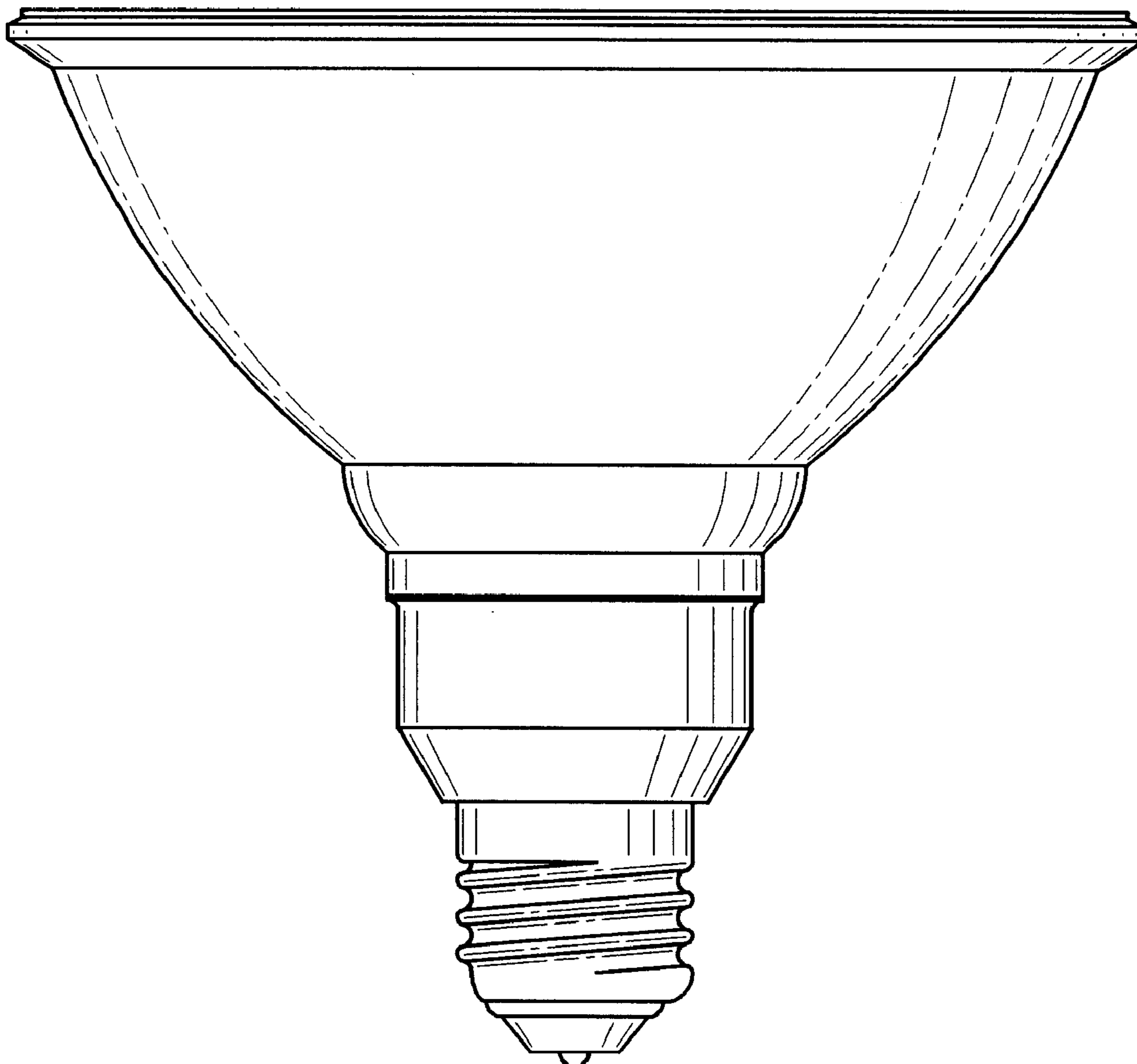
FIG. 1 is a front side view of a video camera housing, showing my novel design;
FIG. 2 is a back side view thereof;
FIG. 3 is a left side view thereof;
FIG. 4 is a right side view thereof;
FIG. 5 is a top plan view thereof; and,
FIG. 6 is a bottom plan view of a video camera housing, of the present invention.

[56] **References Cited**

U.S. PATENT DOCUMENTS

- D. 315,961 4/1991 Kackenmeister et al. D26/2
- D. 321,762 11/1991 Mujahid et al. D26/2
- D. 399,517 10/1998 Hasegawa D16/203
- 5,649,256 7/1997 Wen 396/427

1 Claim, 3 Drawing Sheets



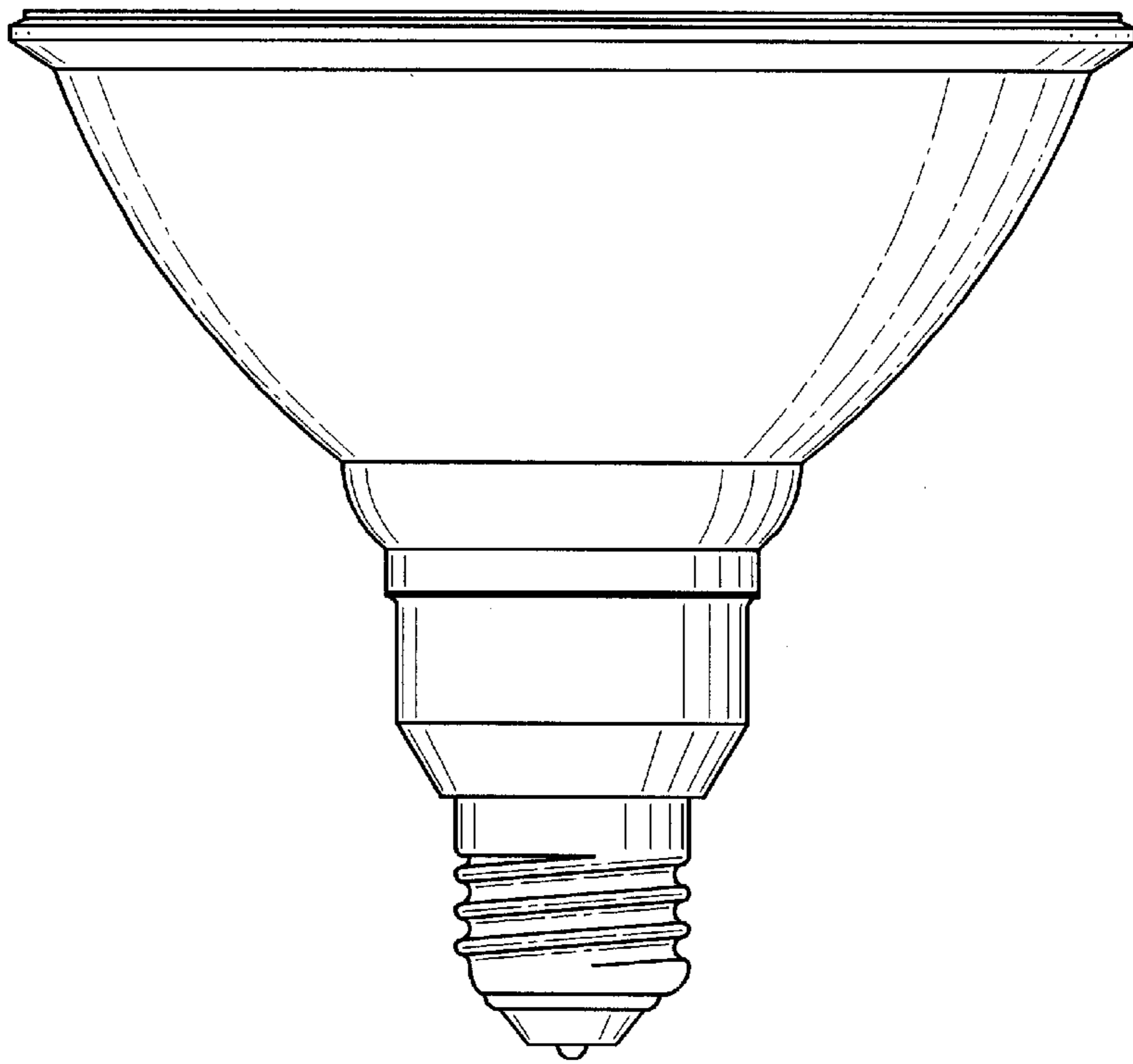


Fig. 1

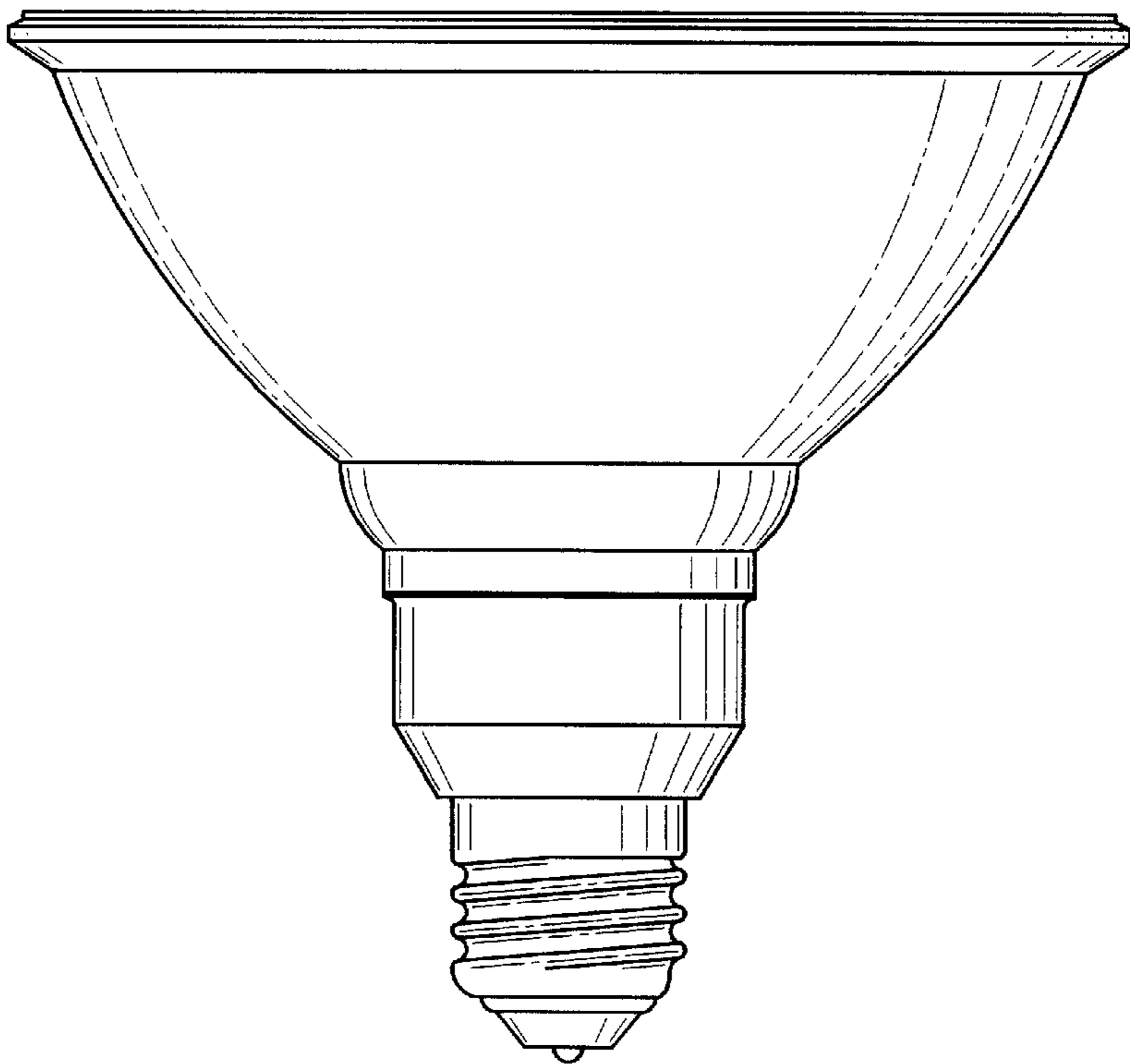


Fig. 2

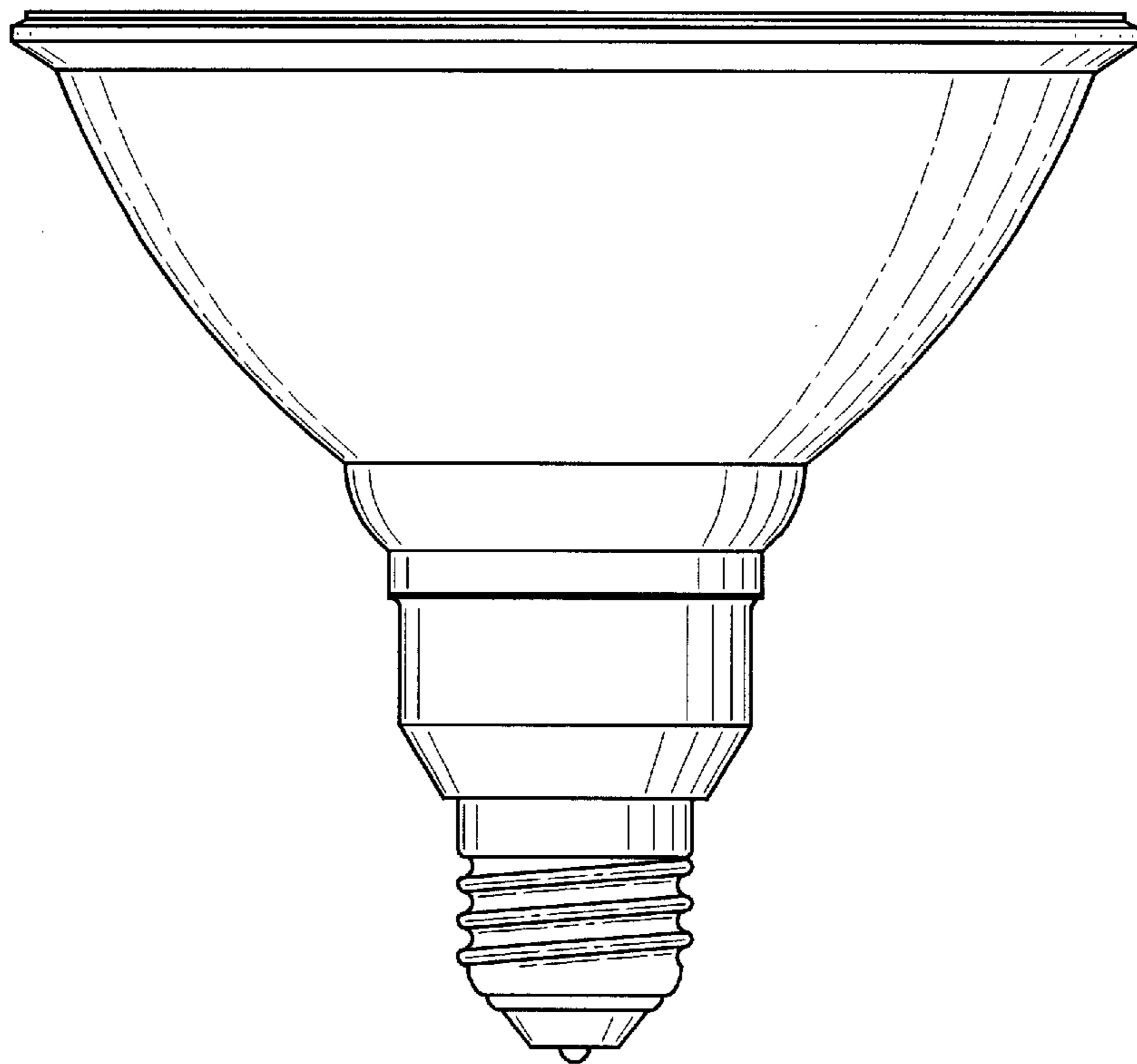


Fig. 3

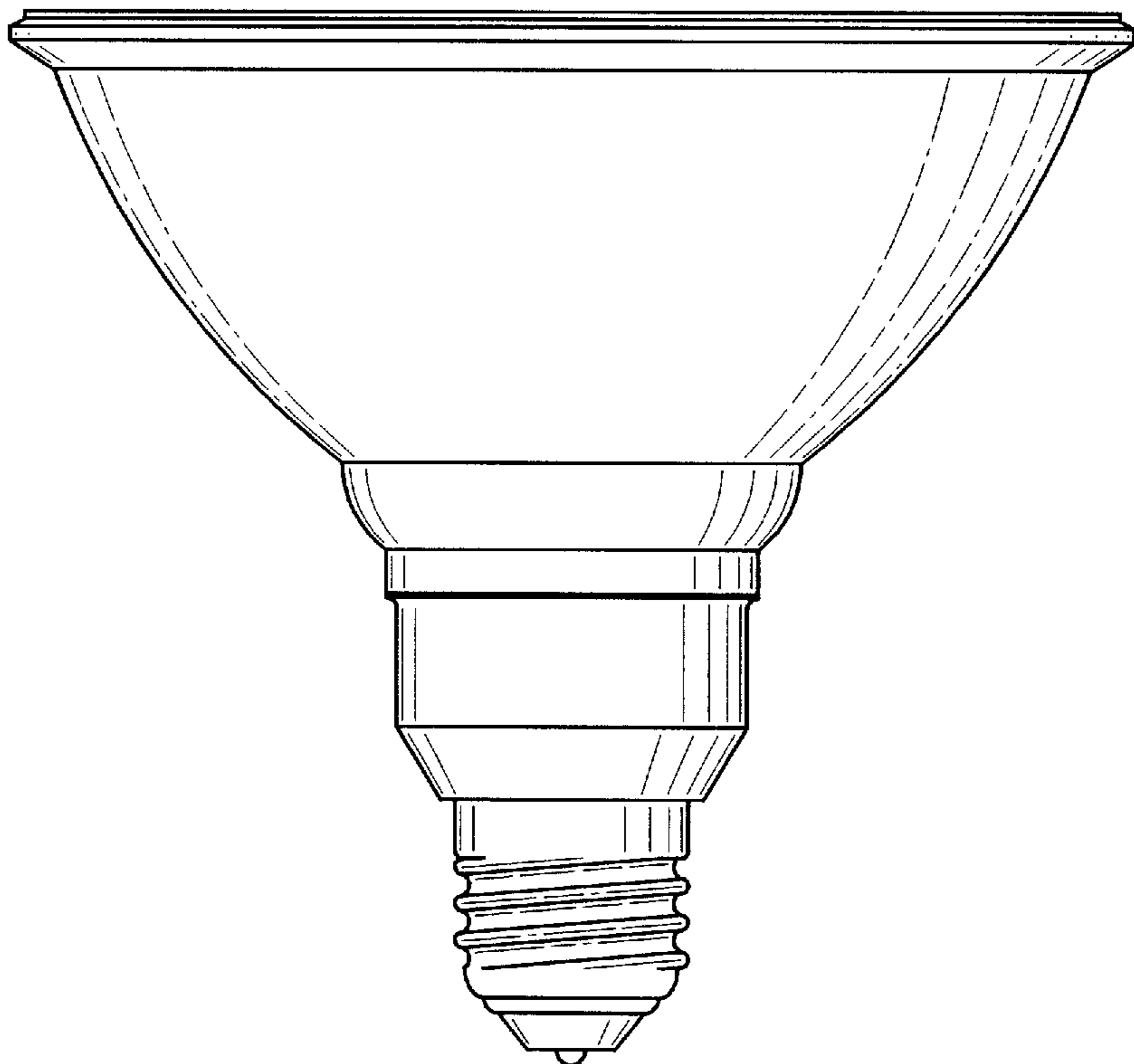


Fig. 4

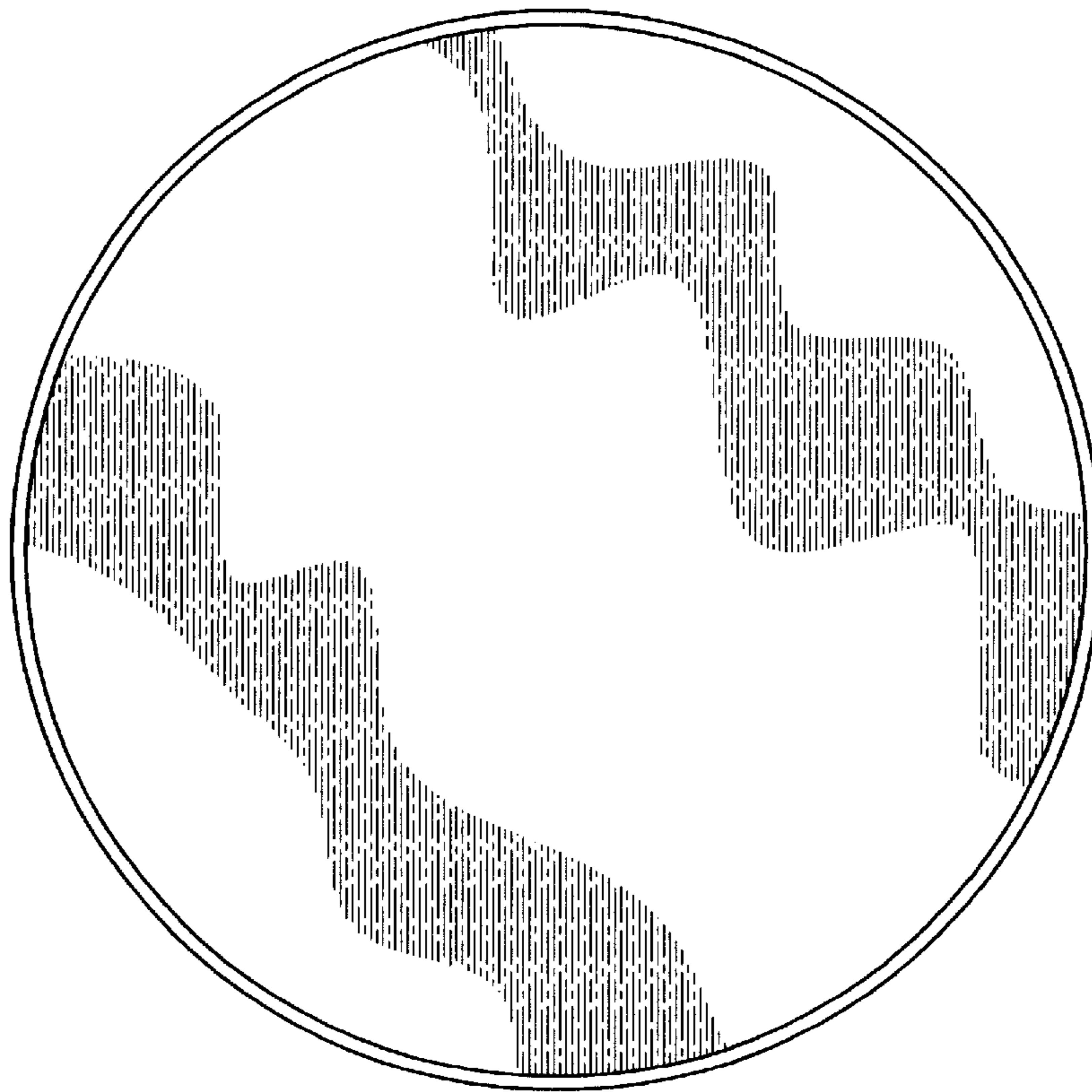


Fig. 5

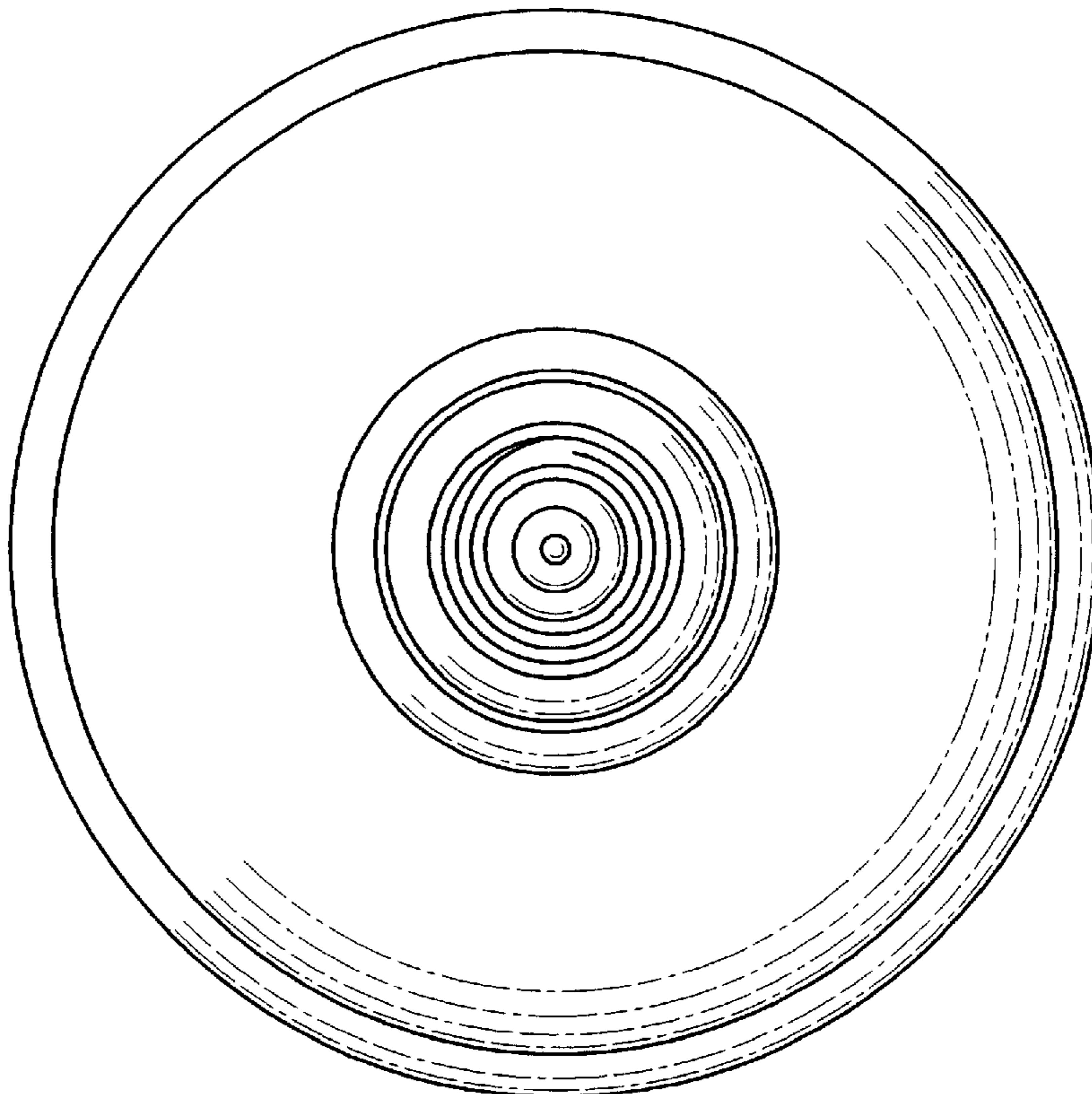


Fig. 6