



US00D435575S

United States Patent [19] Kanatani

[11] Patent Number: Des. 435,575

[45] Date of Patent: ** Dec. 26, 2000

[54] COMBINED DISC RECORDER AND CAMERA

[75] Inventor: Masakazu Kanatani, Tokyo, Japan

[73] Assignee: Sony Corporation, Japan

[**] Term: 14 Years

[21] Appl. No.: 29/107,663

[22] Filed: Jul. 7, 1999

[30] Foreign Application Priority Data

Jan. 29, 1999 [JP] Japan 11-1774

[51] LOC (7) Cl. 16-01

[52] U.S. Cl. D16/202

[58] Field of Search D16/200-205,
D16/208; 348/373-376; 358/906; 396/535-541

[56] References Cited

U.S. PATENT DOCUMENTS

D. 375,107	10/1996	Ishii	D16/202
D. 376,166	12/1996	Ishii	D16/202
D. 384,085	9/1997	Harata	D16/202
D. 401,256	11/1998	Harata	D16/202
D. 408,428	4/1999	Ninomiya et al.	D16/202
D. 410,662	6/1999	Harata	D16/202
D. 414,195	9/1999	Shiozaki	D16/202
5,294,988	3/1994	Wakabayashi et al.	348/373
5,499,052	3/1996	Nakanishi et al.	348/373

OTHER PUBLICATIONS

Catalog; "88"; Sony; Mar. 1998; pp. 7-10.

Primary Examiner—Adir Aronovich
Attorney, Agent, or Firm—Rader, Fishman & Grauer

[57] CLAIM

The ornamental design for a combined disc recorder and camera, as shown and described.

DESCRIPTION

FIG. 1 is a top, front perspective view of a combined disc recorder and camera showing my new design; FIG. 2 is a top, rear perspective view thereof, the viewing screen shown in an extending away position; FIG. 3 is a top, rear perspective view thereof, the viewing screen shown in the first alternate position; FIG. 4 is a top, rear perspective view thereof, the viewing screen shown in the second alternate position; FIG. 5 is a top, rear perspective view thereof, the viewing screen shown in the third alternate position; FIG. 6 is a top plan view thereof; FIG. 7 is a bottom plan view thereof; FIG. 8 is a left side elevational view thereof; FIG. 9 is a right side elevational view thereof; FIG. 10 is a front elevational view thereof; and, FIG. 11 is a rear elevational view thereof.

1 Claim, 8 Drawing Sheets

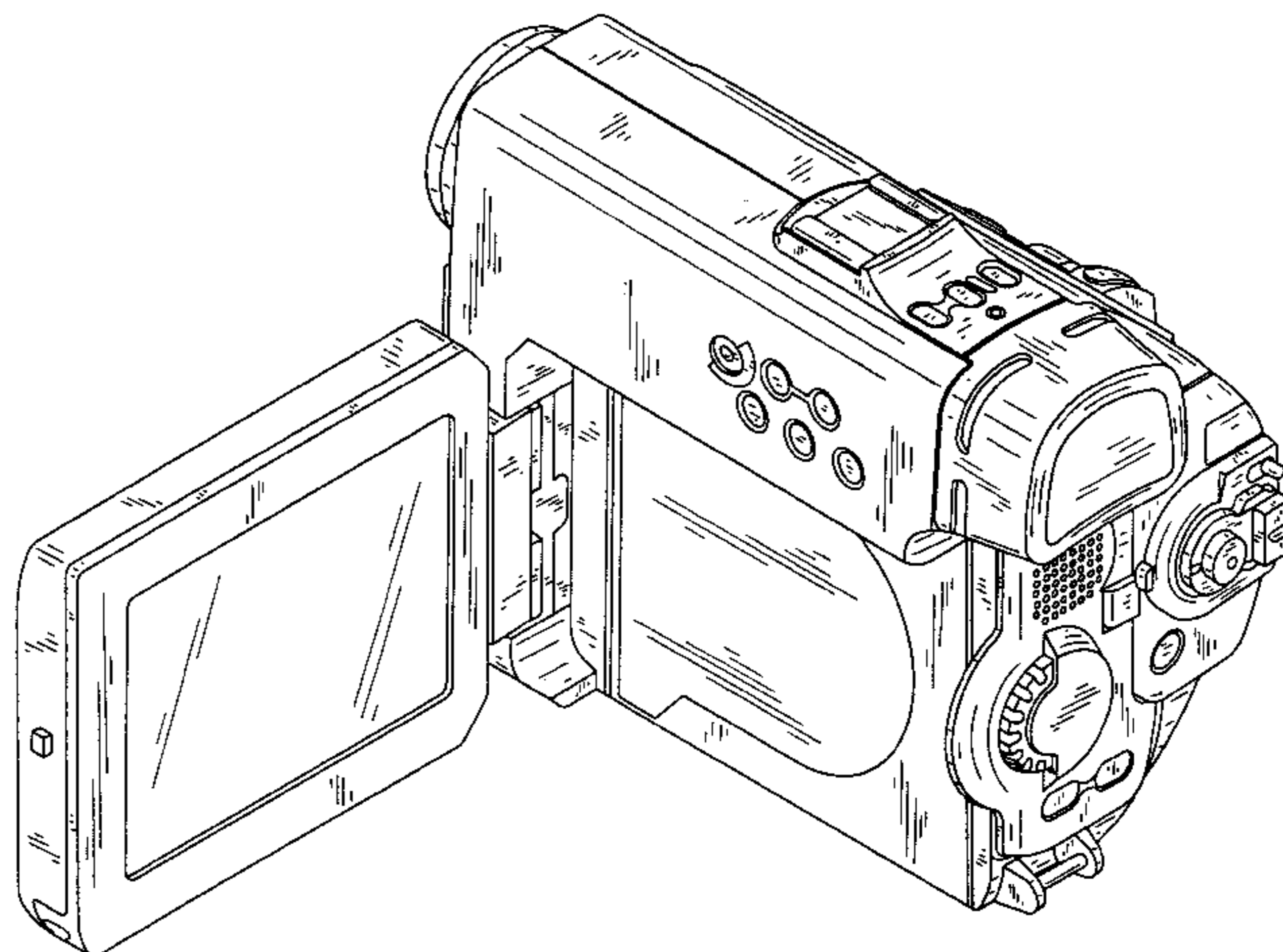
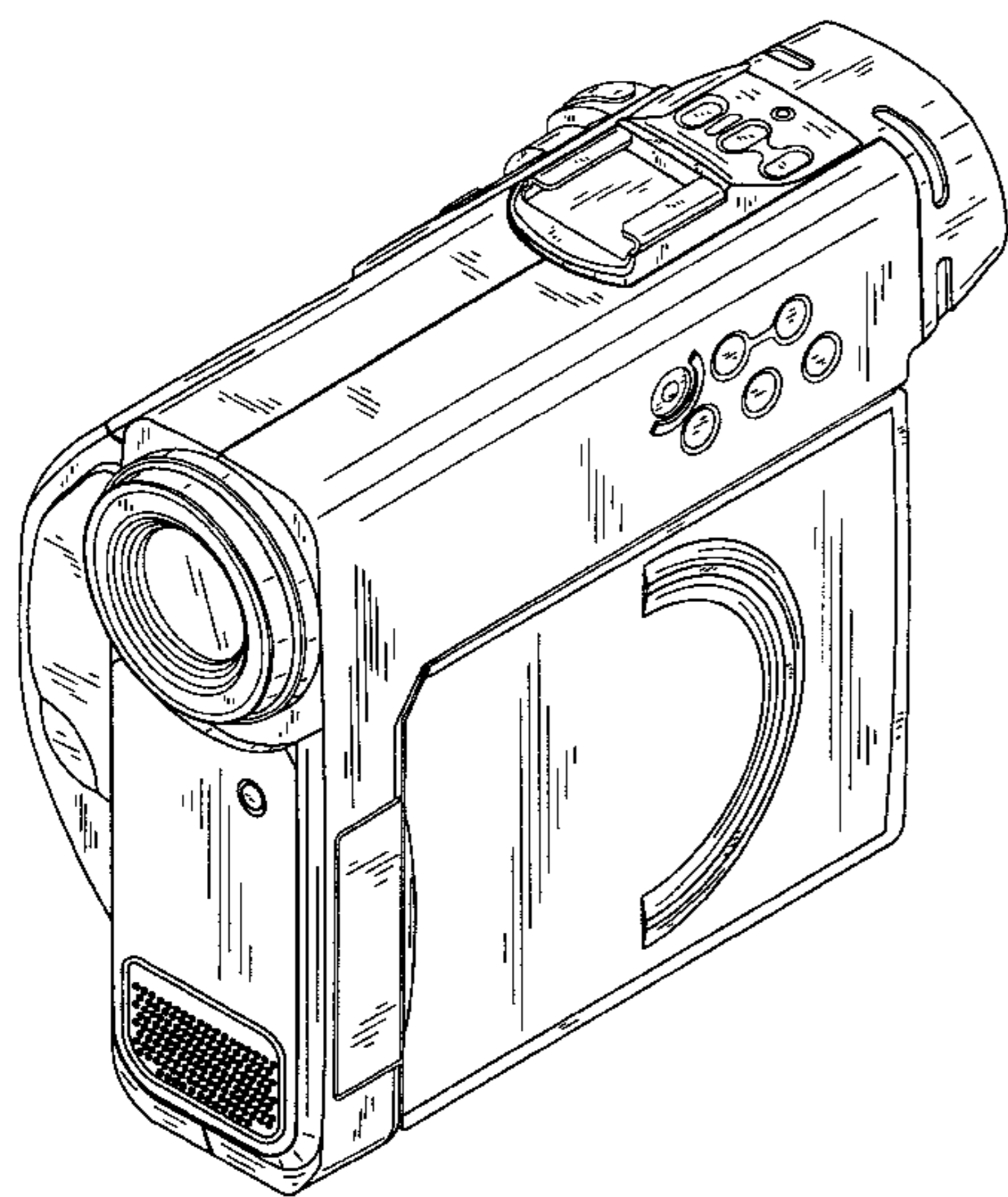


FIG. 1

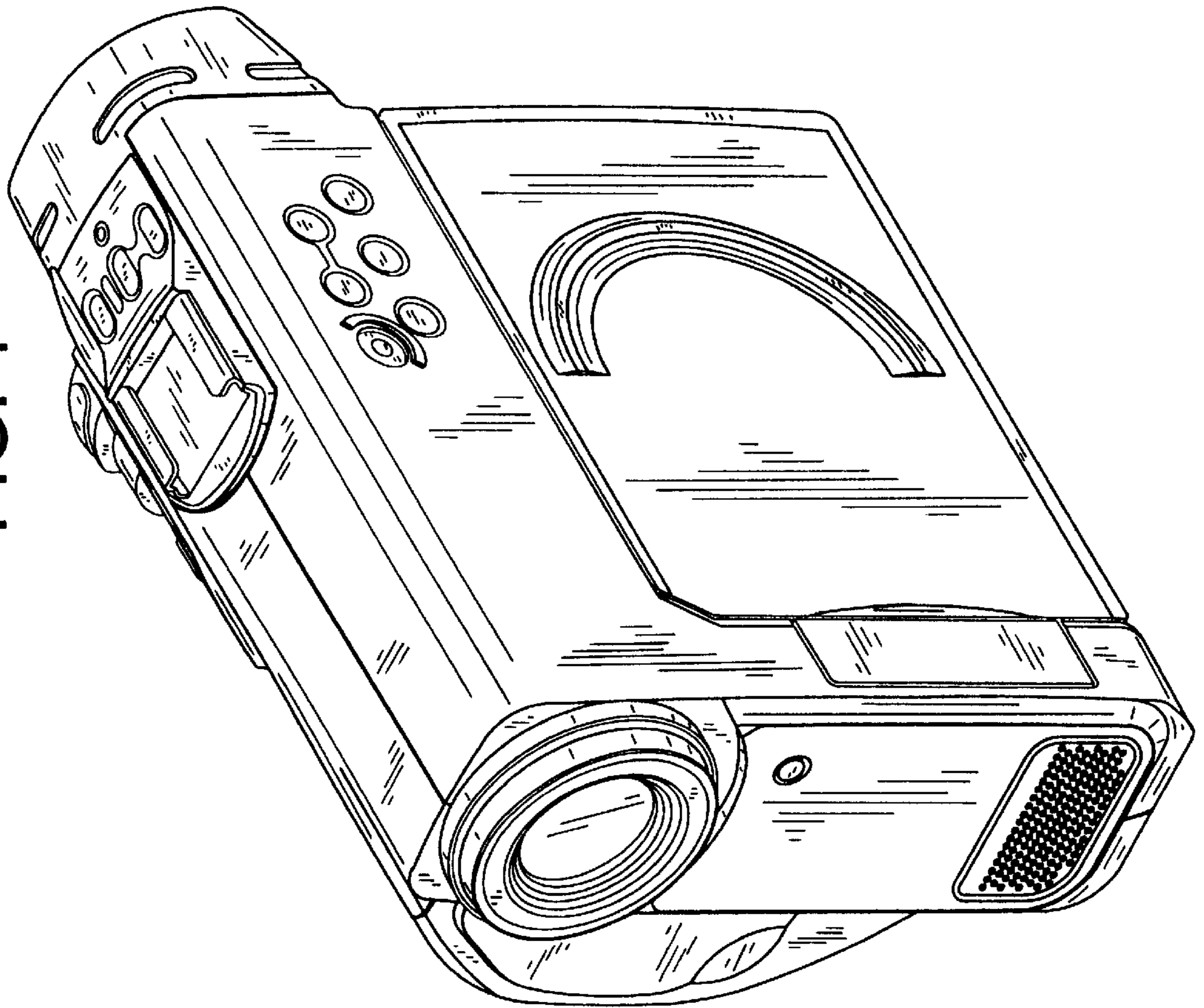


FIG. 2

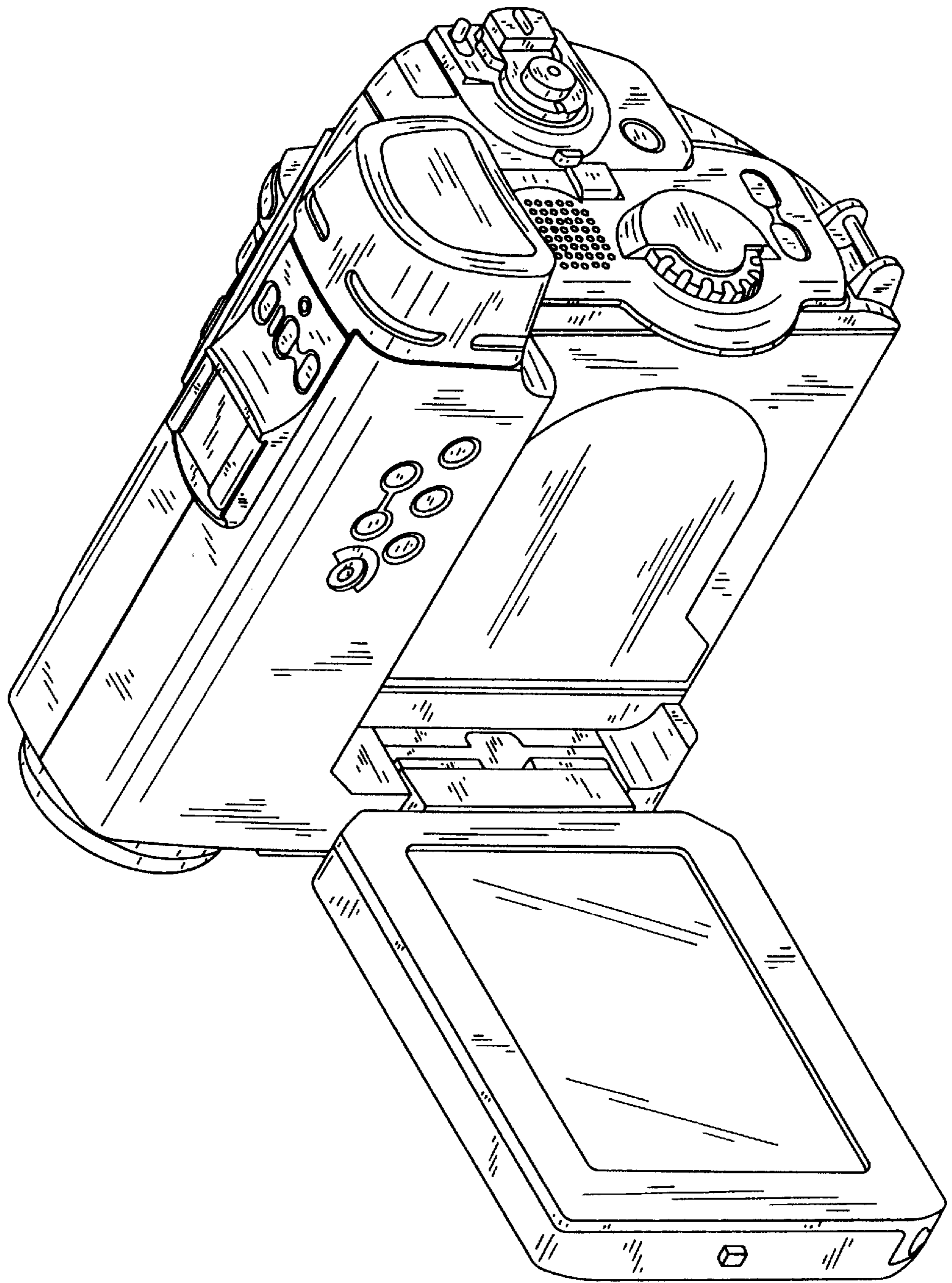


FIG. 3

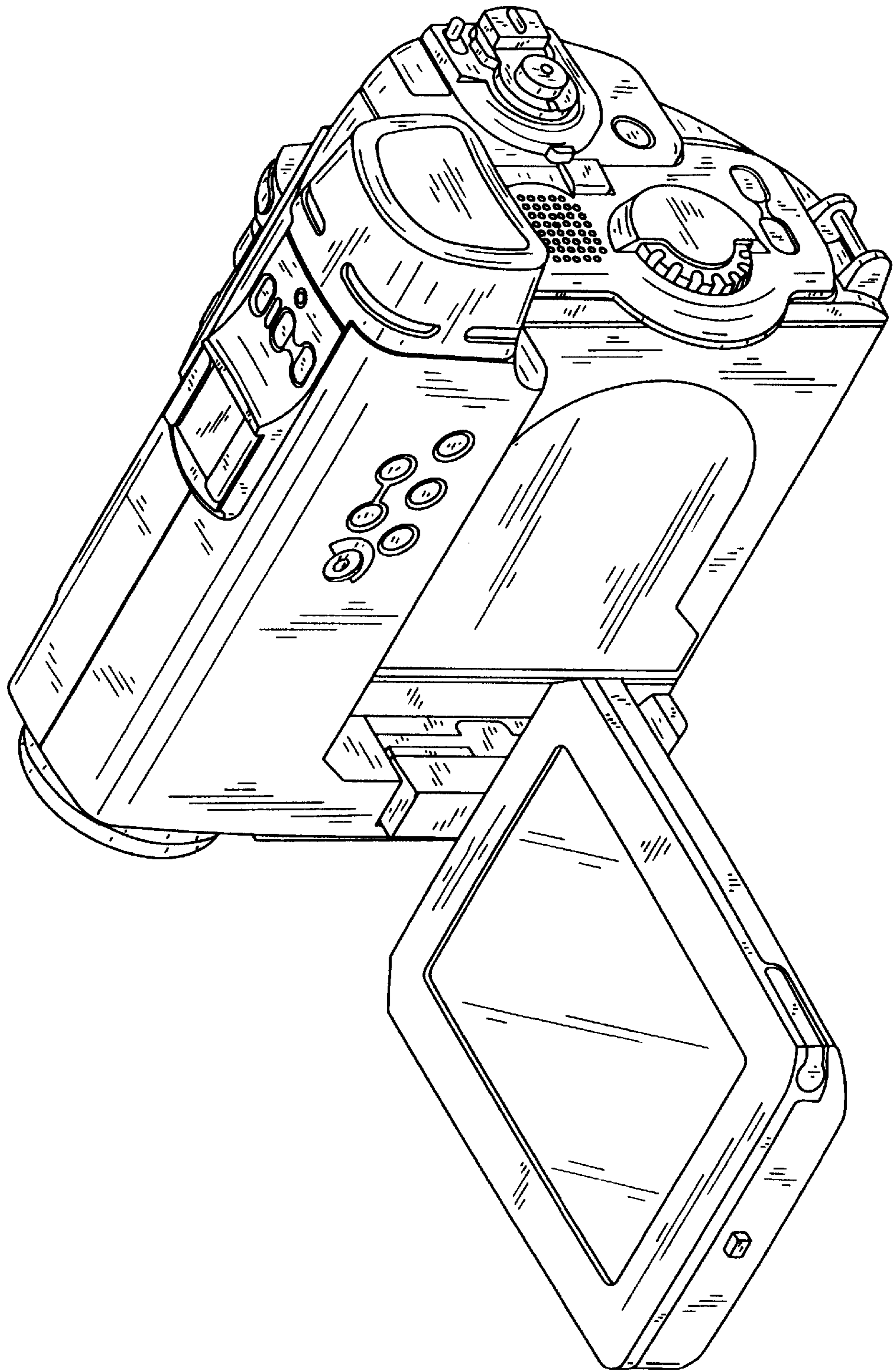


FIG. 4

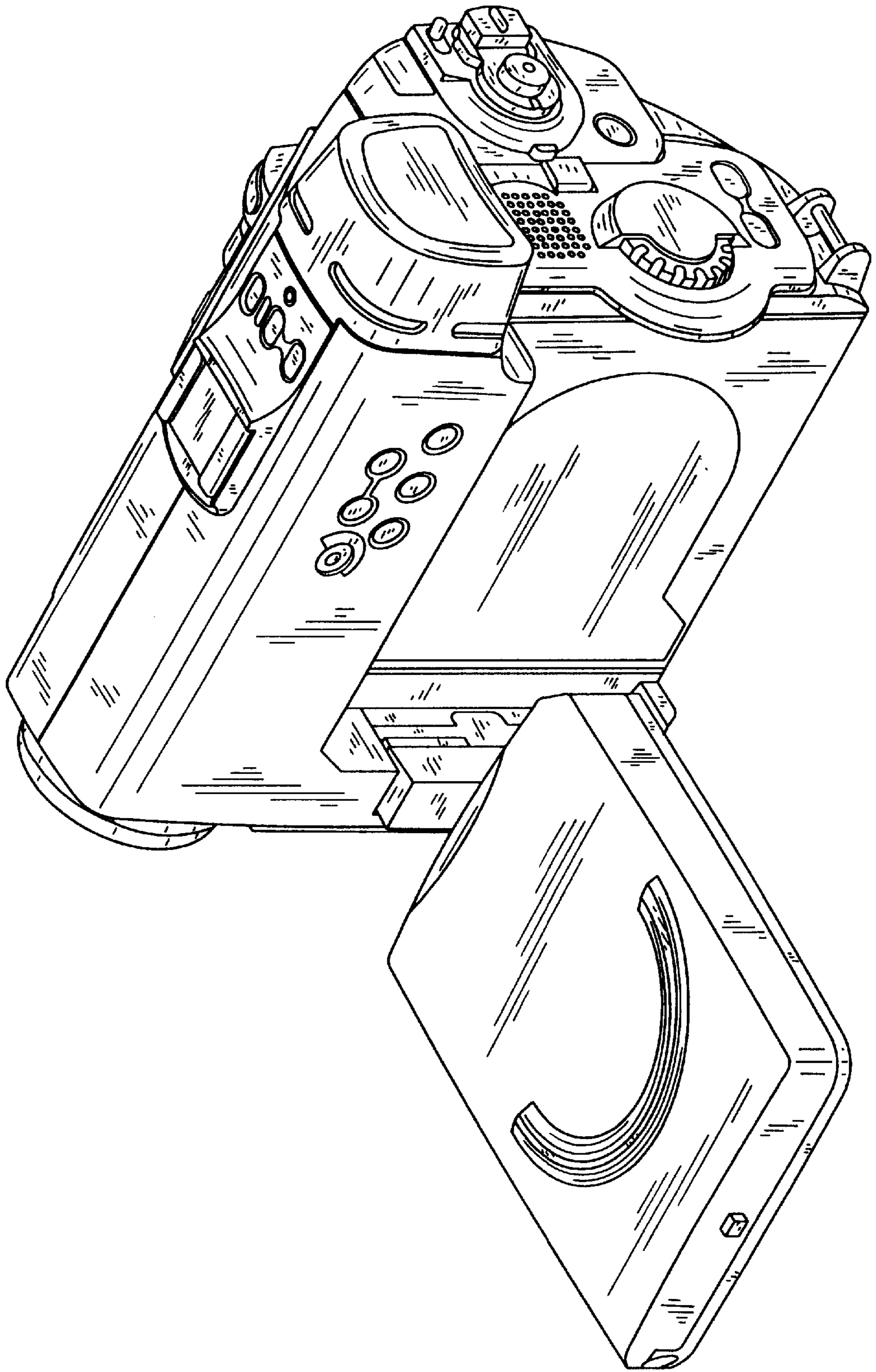


FIG. 5

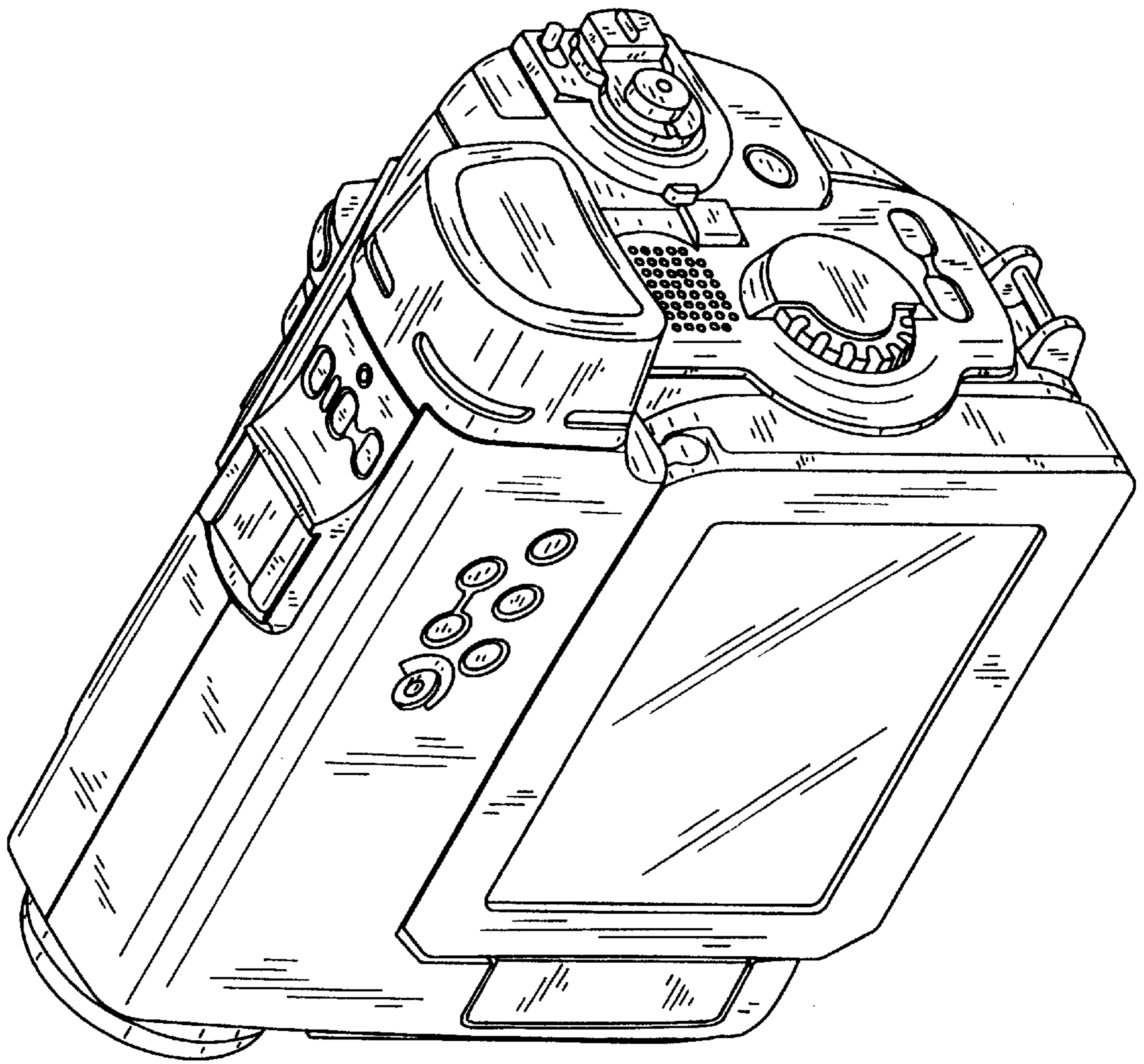


FIG. 7

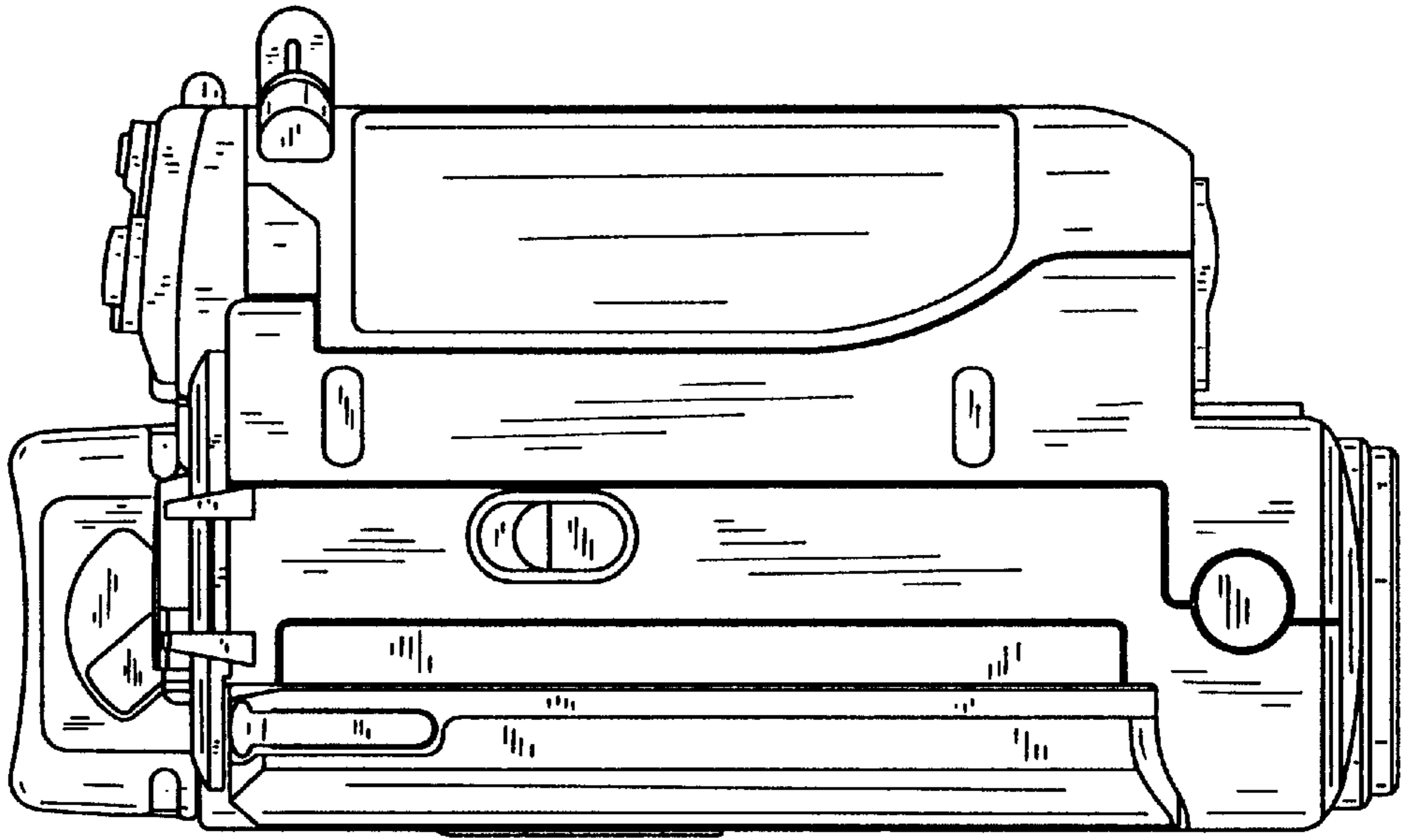


FIG. 6

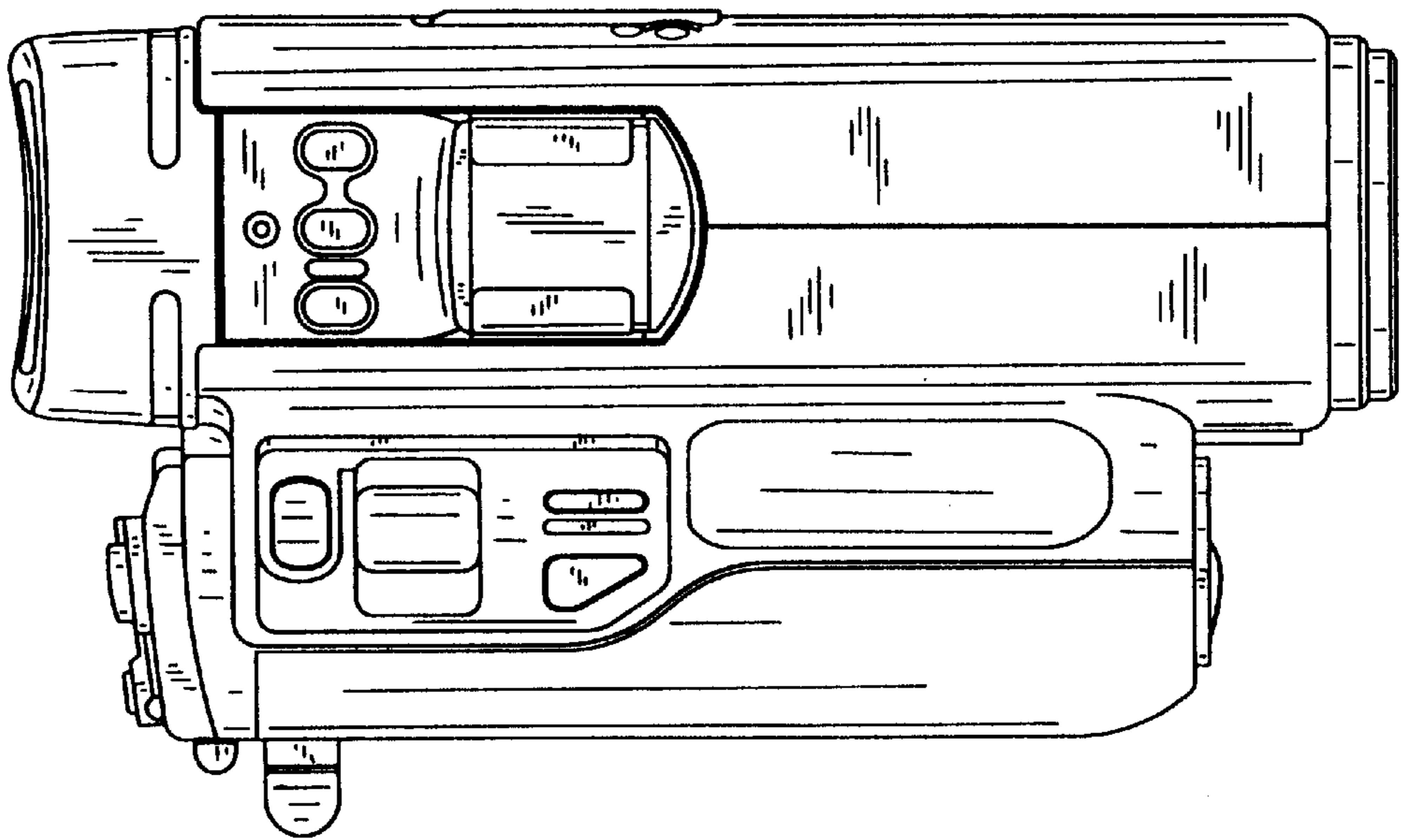


FIG. 9

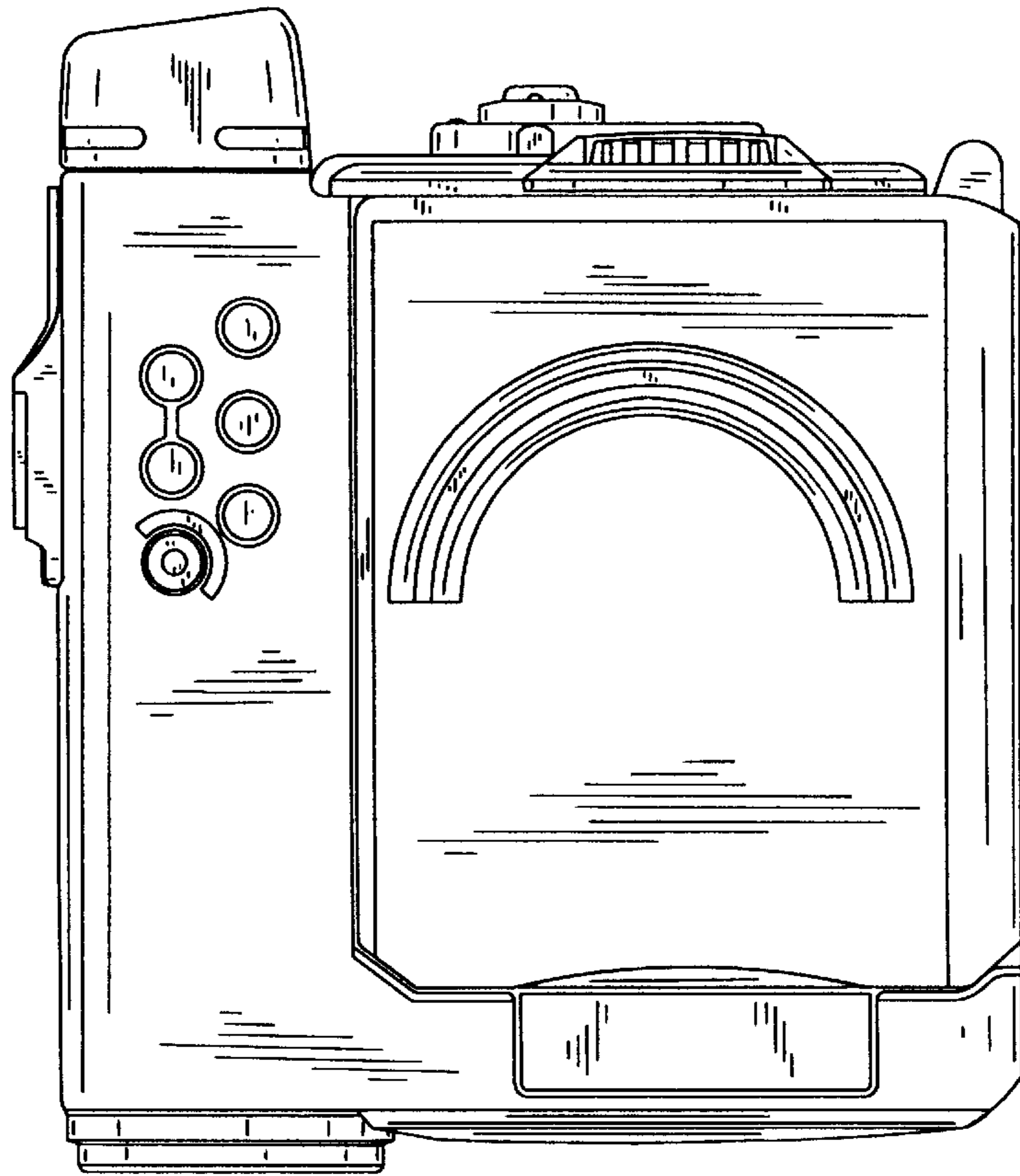


FIG. 8

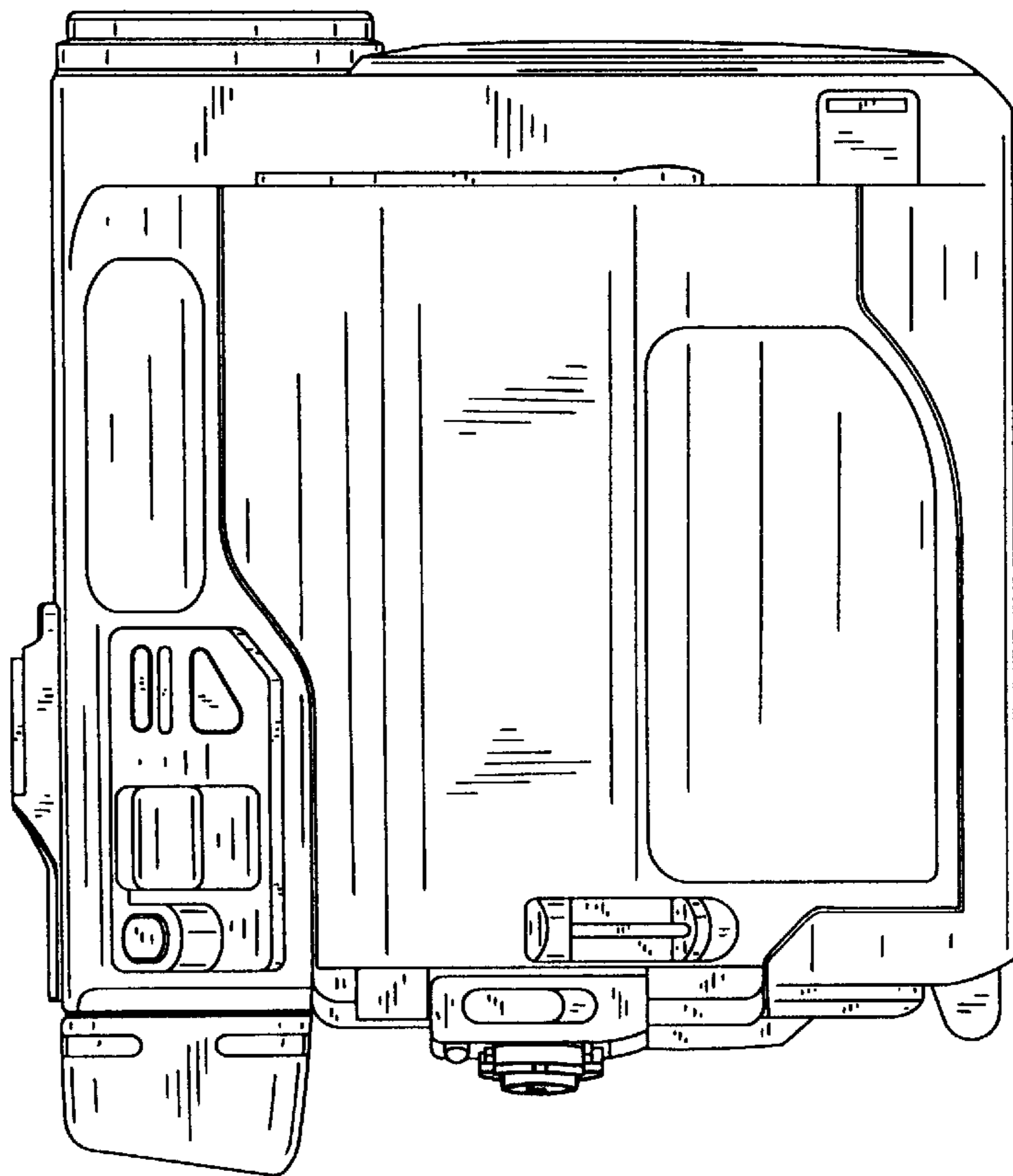


FIG. 11

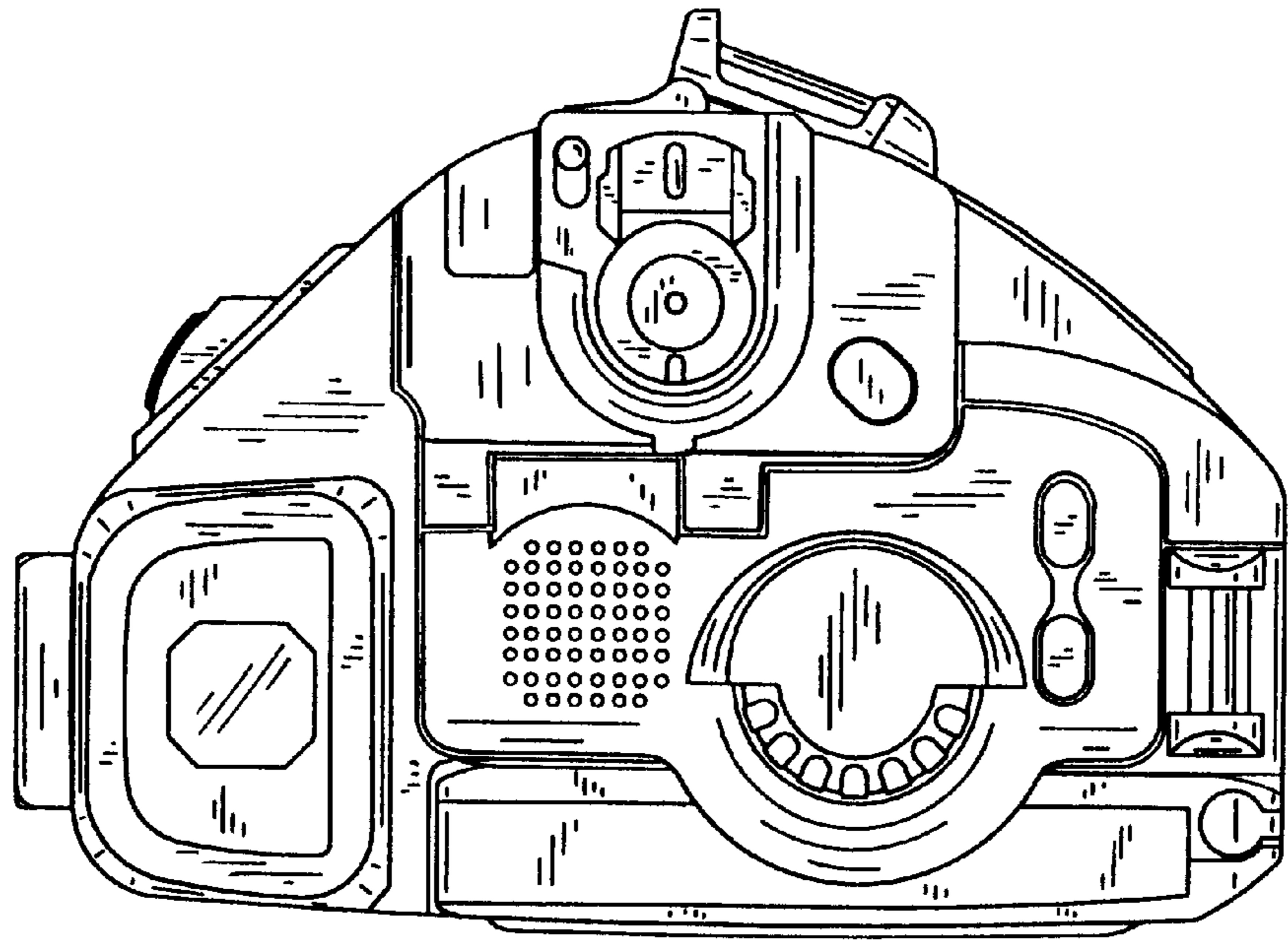


FIG. 10

