



US00D435573S

United States Patent [19]

Harata

[11] Patent Number: Des. 435,573

[45] Date of Patent: ** Dec. 26, 2000

[54] COMBINED VIDEO TAPE RECORDER AND CAMERA

[75] Inventor: Tomohiro Harata, Tokyo, Japan

[73] Assignee: Sony Corporation, Japan

[**] Term: 14 Years

[21] Appl. No.: 29/102,997

[22] Filed: Apr. 6, 1999

[51] LOC (7) Cl. 16-01

[52] U.S. Cl. D16/202

[58] Field of Search D16/200-208;
348/373-376; 352/242, 243; 358/906; 396/535-541

[56] References Cited

U.S. PATENT DOCUMENTS

D. 355,664	2/1995	Kataoka	D16/202
D. 356,589	3/1995	Sumita	D16/202
D. 365,586	12/1995	Miyashita	D16/202
D. 368,922	4/1996	Tanaka	D16/202
D. 375,108	10/1996	Harata	D16/202
D. 380,764	7/1997	Ishii	D16/202
D. 381,996	8/1997	Kobayashi	D16/202
D. 385,568	10/1997	Harata	D16/202
D. 400,900	11/1998	Harata	D16/202
D. 401,256	11/1998	Harata	D16/202
D. 404,047	1/1999	Ishii	D16/202
D. 409,639	5/1999	Sumita	D16/202
D. 410,016	5/1999	Maeyama	D16/202
D. 415,778	10/1999	Harata	D16/202
D. 416,928	11/1999	Sumita	D16/202
5,444,507	8/1995	Palmer	354/82
5,499,052	3/1996	Nakanishi et al.	348/220

FOREIGN PATENT DOCUMENTS

942 742 4/1990 WIPO .
042 443 3/1998 WIPO .

OTHER PUBLICATIONS

Catalog "89"; Digital Handycam PC1; Sony; 1989.
Sony Style; "What You Should Expect From The New Digital Technologies"; Sony; 1997.
Inside; Sony; Spring/Summer 1998.

Primary Examiner—Adir Aronovich
Attorney, Agent, or Firm—Rader, Fishman&Grauer

[57] CLAIM

The ornamental design for a combined video tape recorder and camera, as shown and described.

DESCRIPTION

FIG. 1 is a top, front perspective view of a combined video tape recorder and camera showing my new design; FIG. 2 is a top, rear perspective view thereof, the viewing screen shown in an extending away position; FIG. 3 is a top, rear perspective view thereof, the viewing screen shown in the first alternate position; FIG. 4 is a top, rear perspective view thereof, the viewing screen shown in the second alternate position; FIG. 5 is a top, rear perspective view thereof, the viewing screen shown in the third alternate position; FIG. 6 is a top plan view thereof; FIG. 7 is a bottom plan view thereof; FIG. 8 is a left side elevational view thereof; FIG. 9 is a right side elevational view thereof; FIG. 10 is a front elevational view thereof; and, FIG. 11 is a rear elevational view thereof.

1 Claim, 8 Drawing Sheets

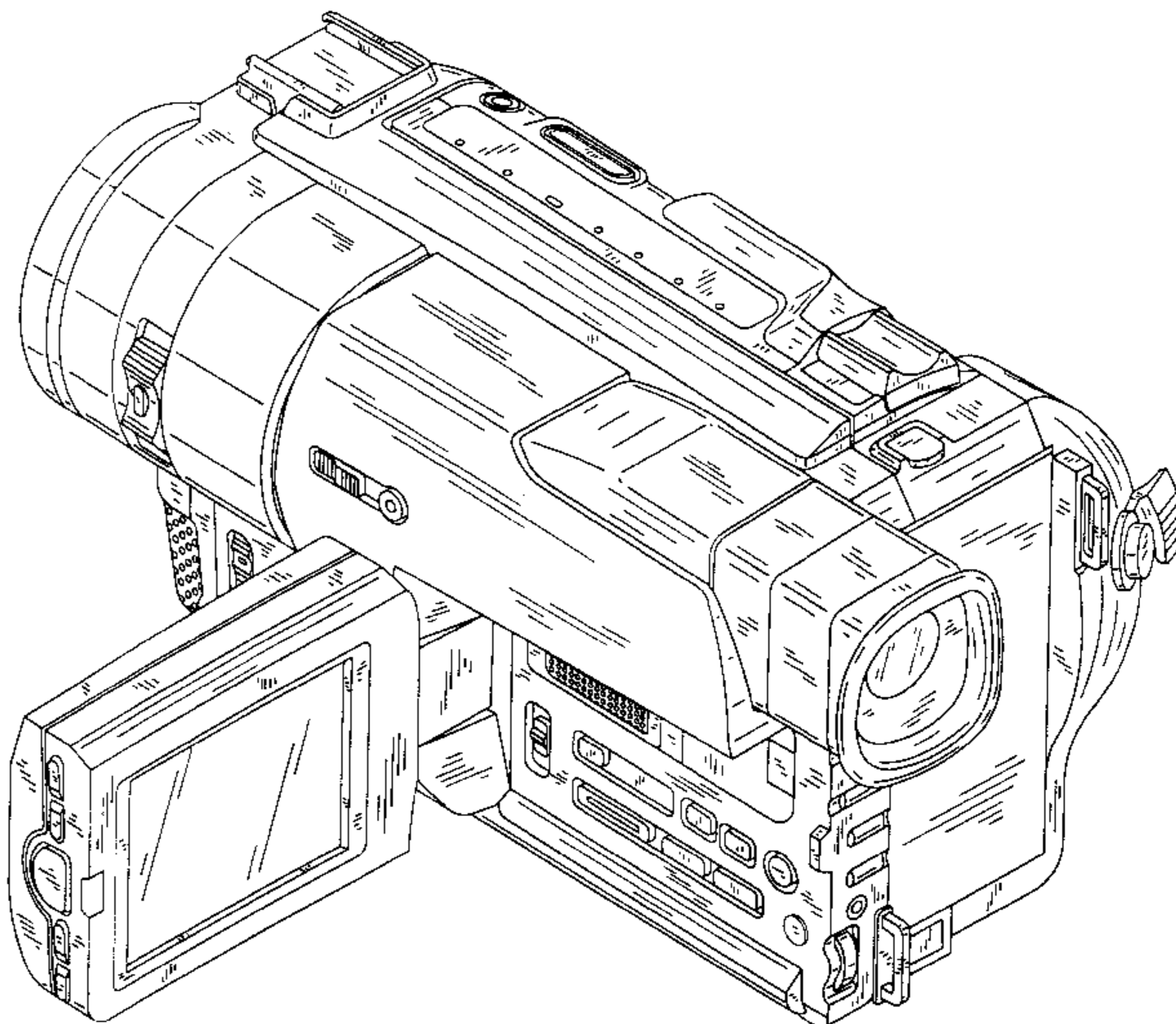
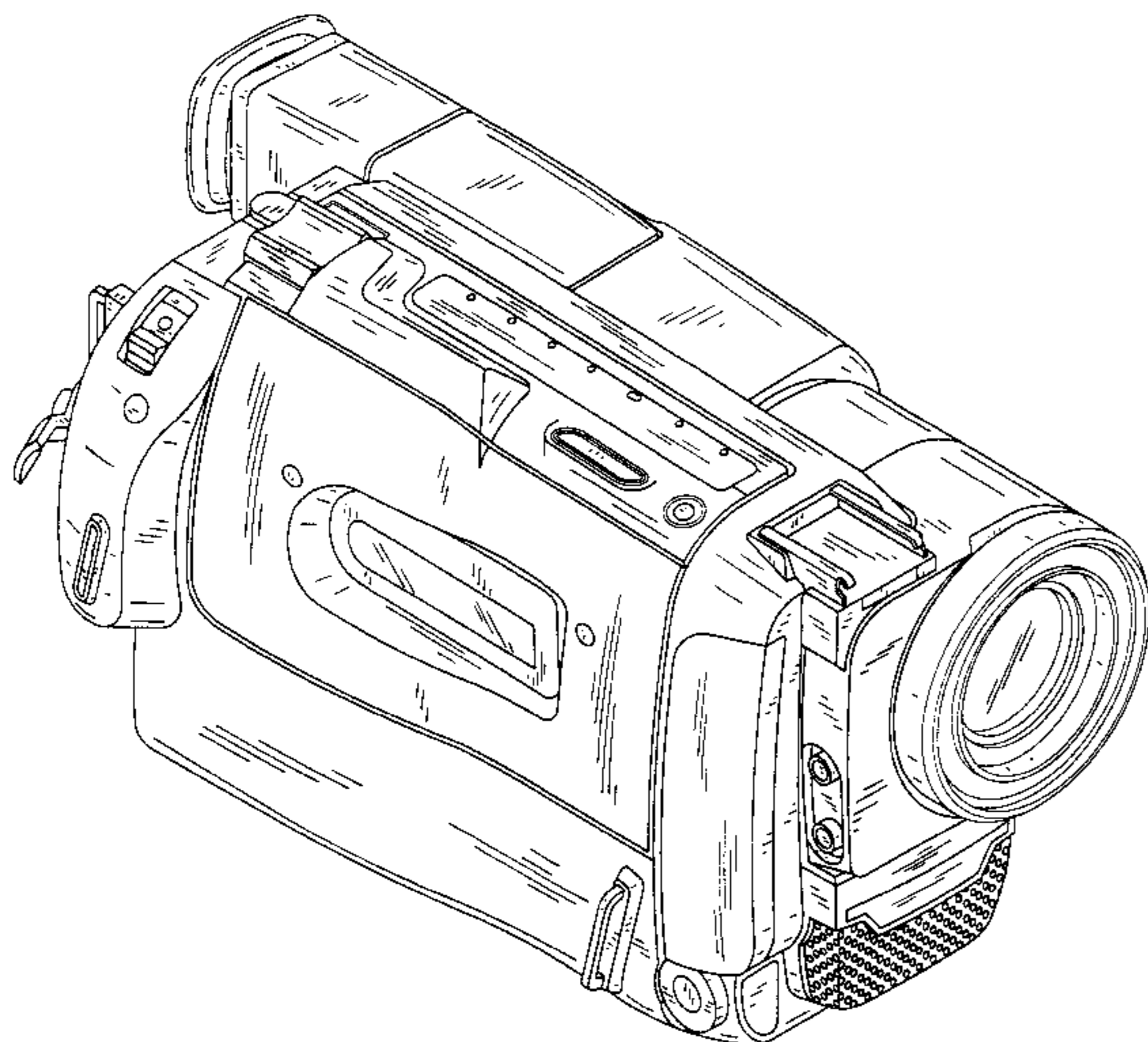


FIG. 1

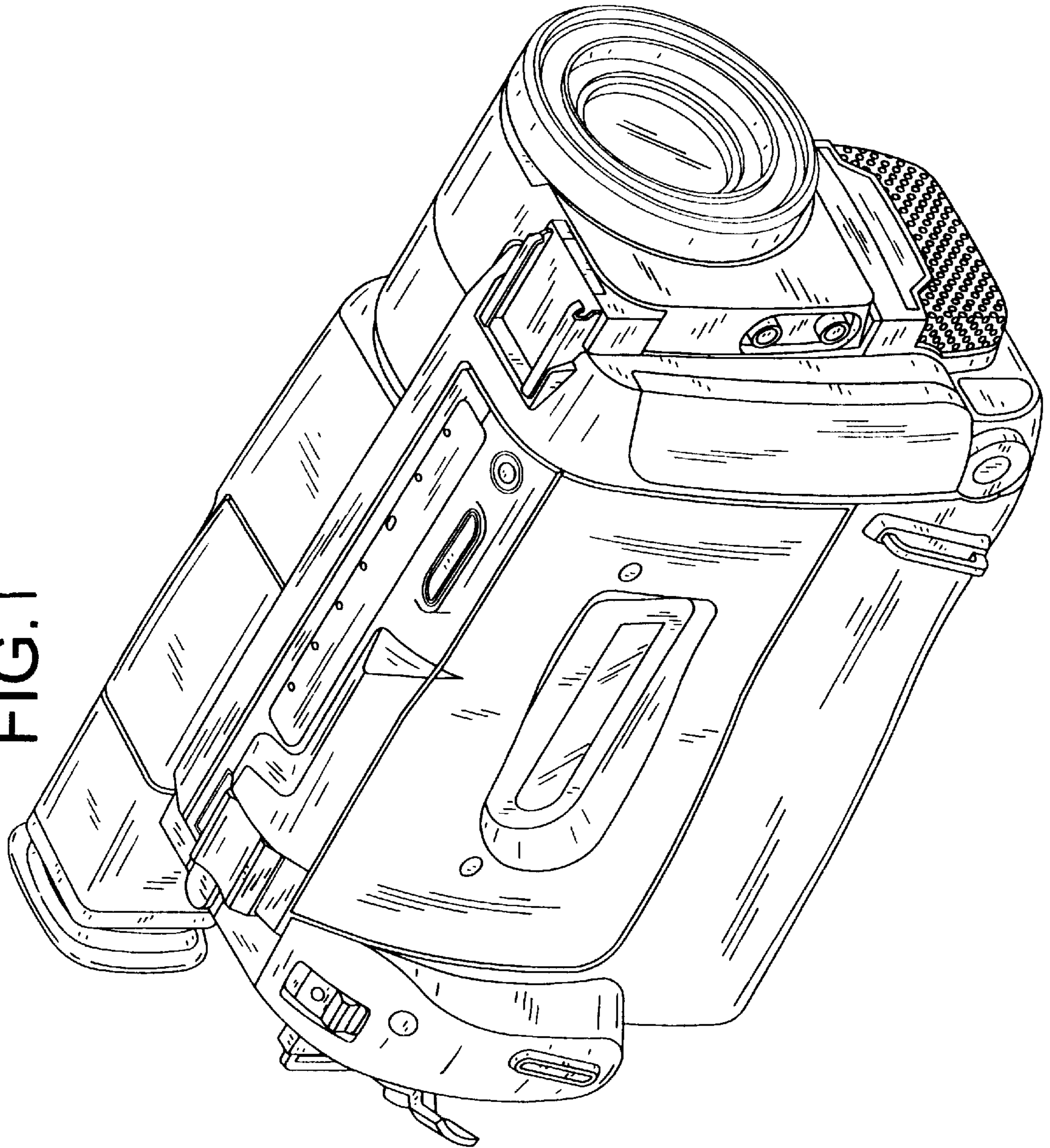


FIG. 2

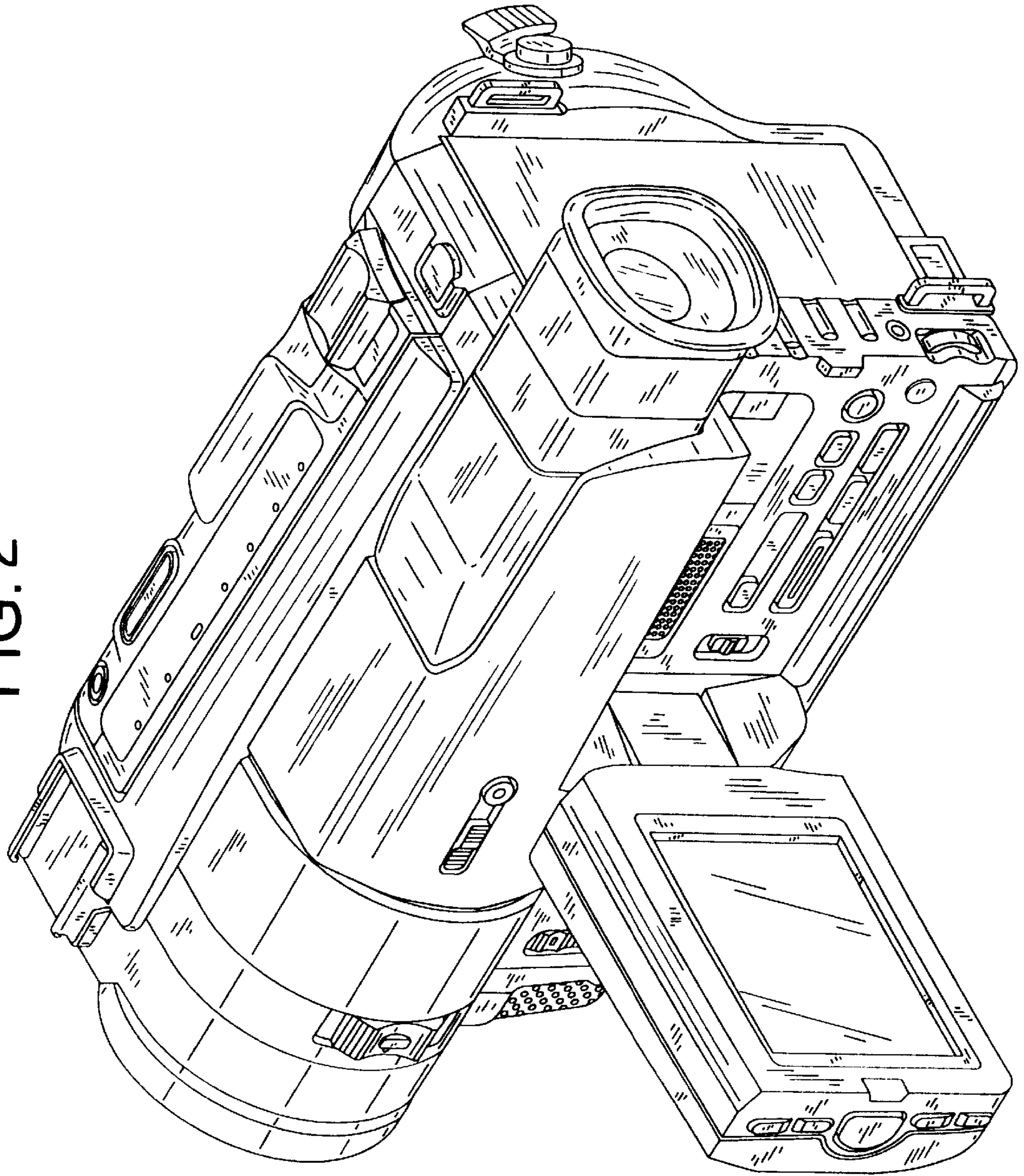


FIG. 3

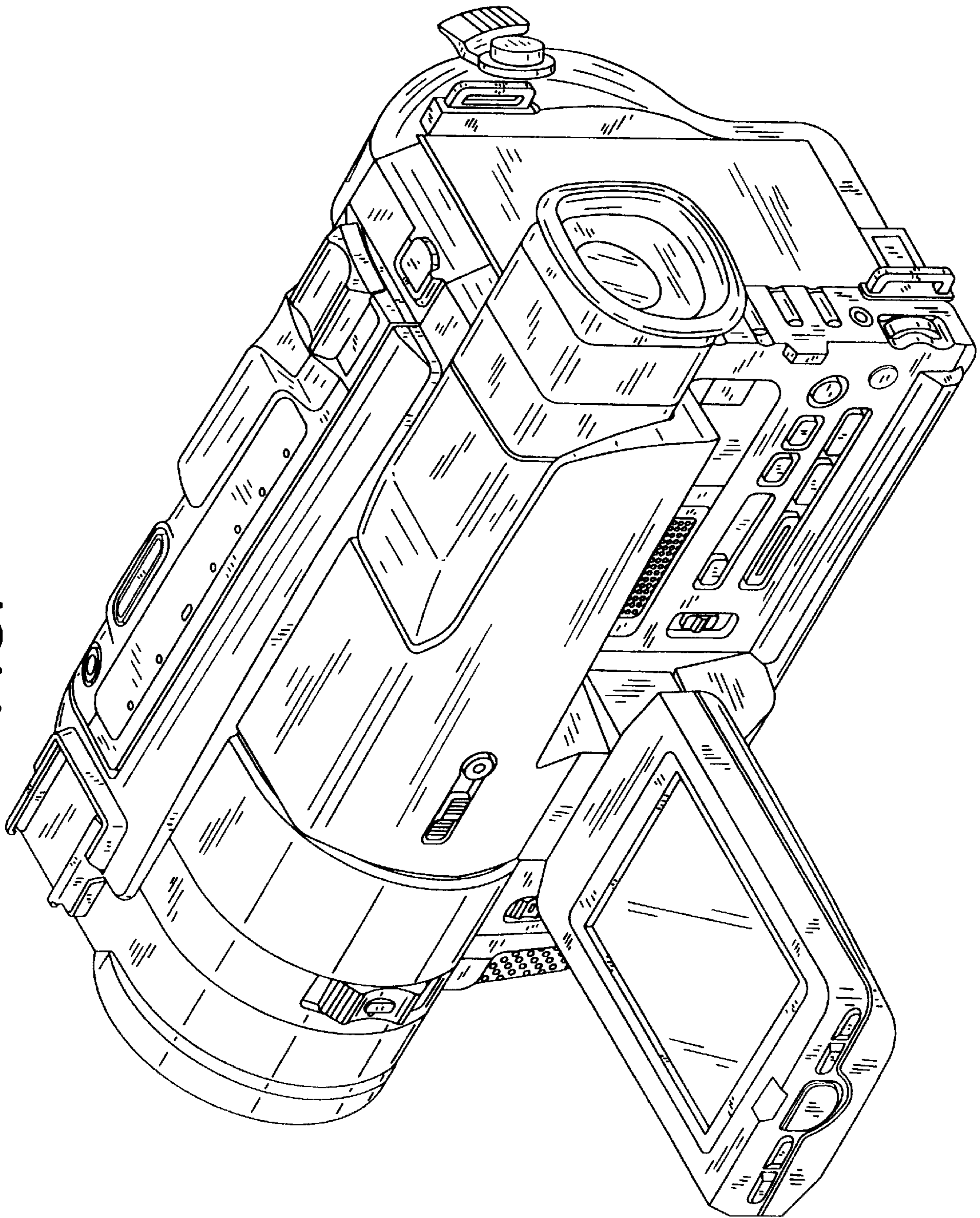


FIG. 4

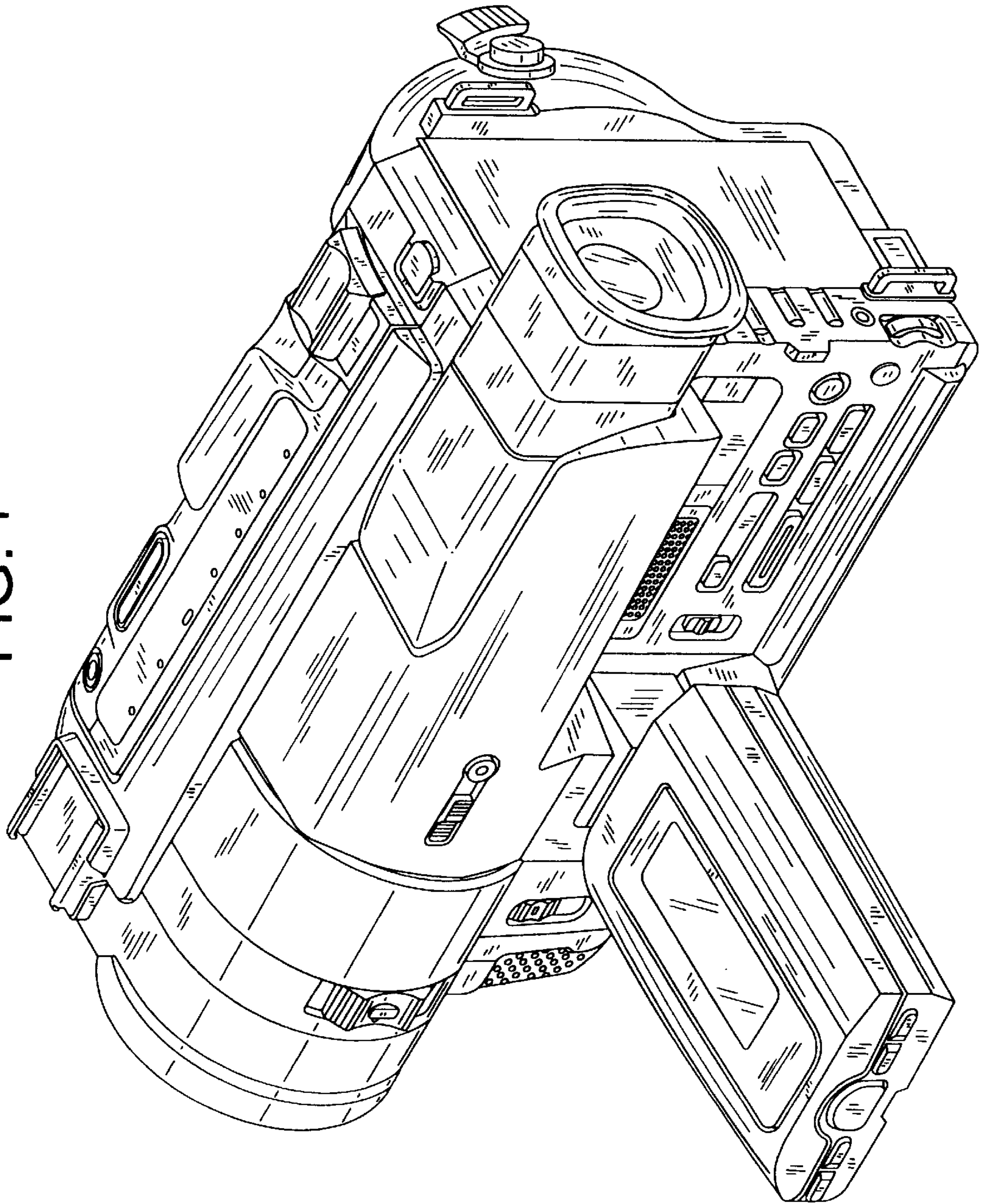


FIG. 5

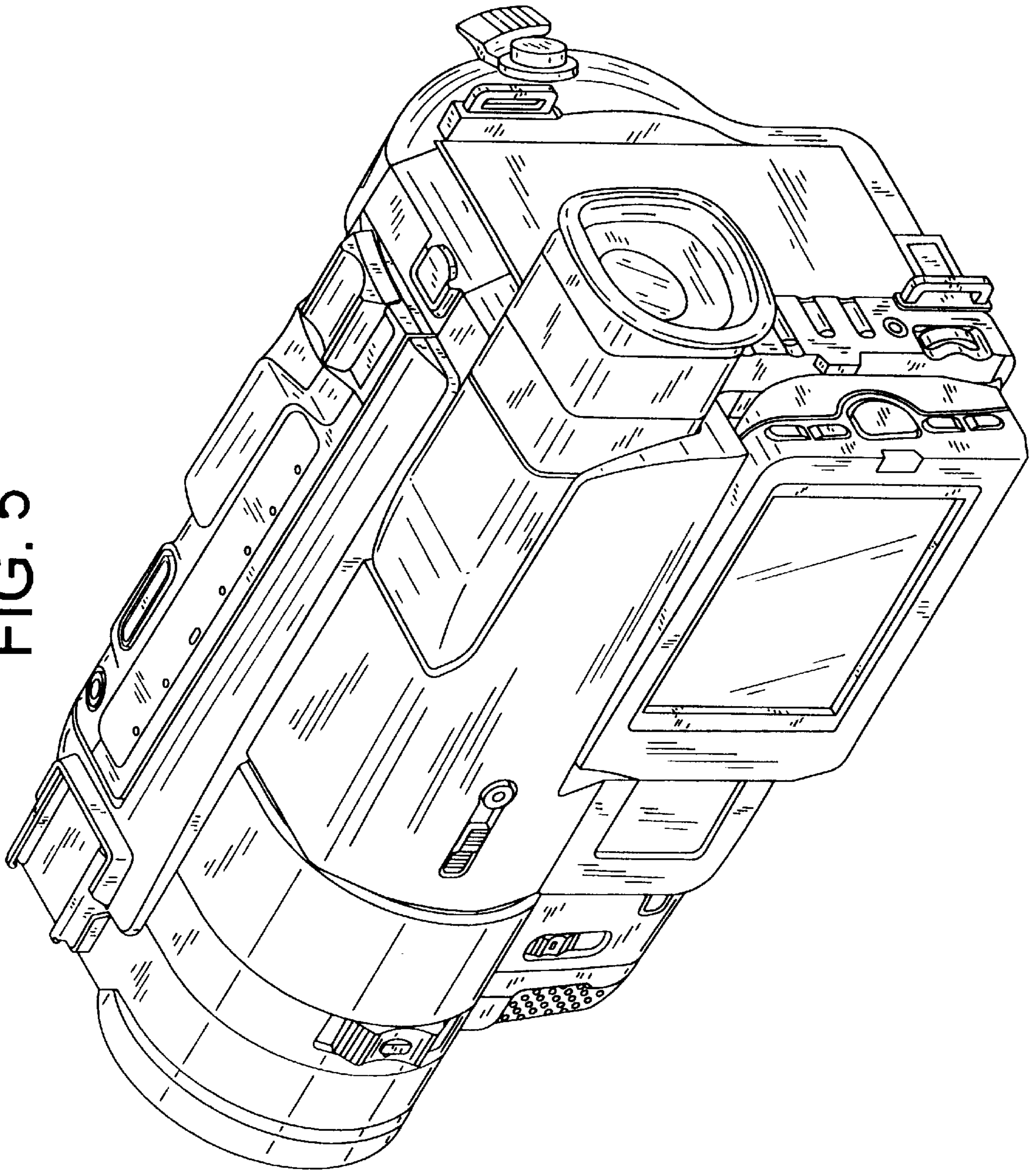


FIG. 7

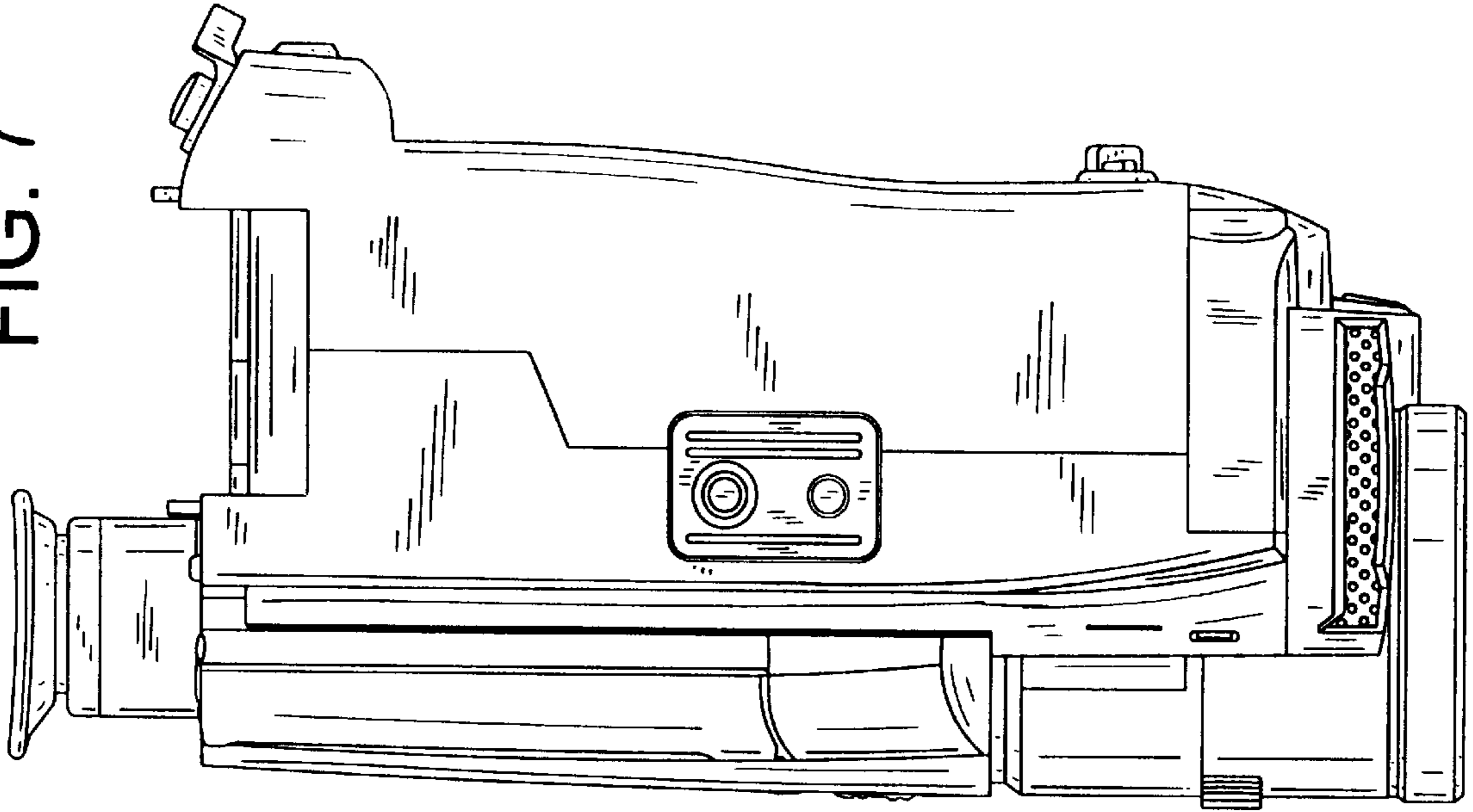


FIG. 6

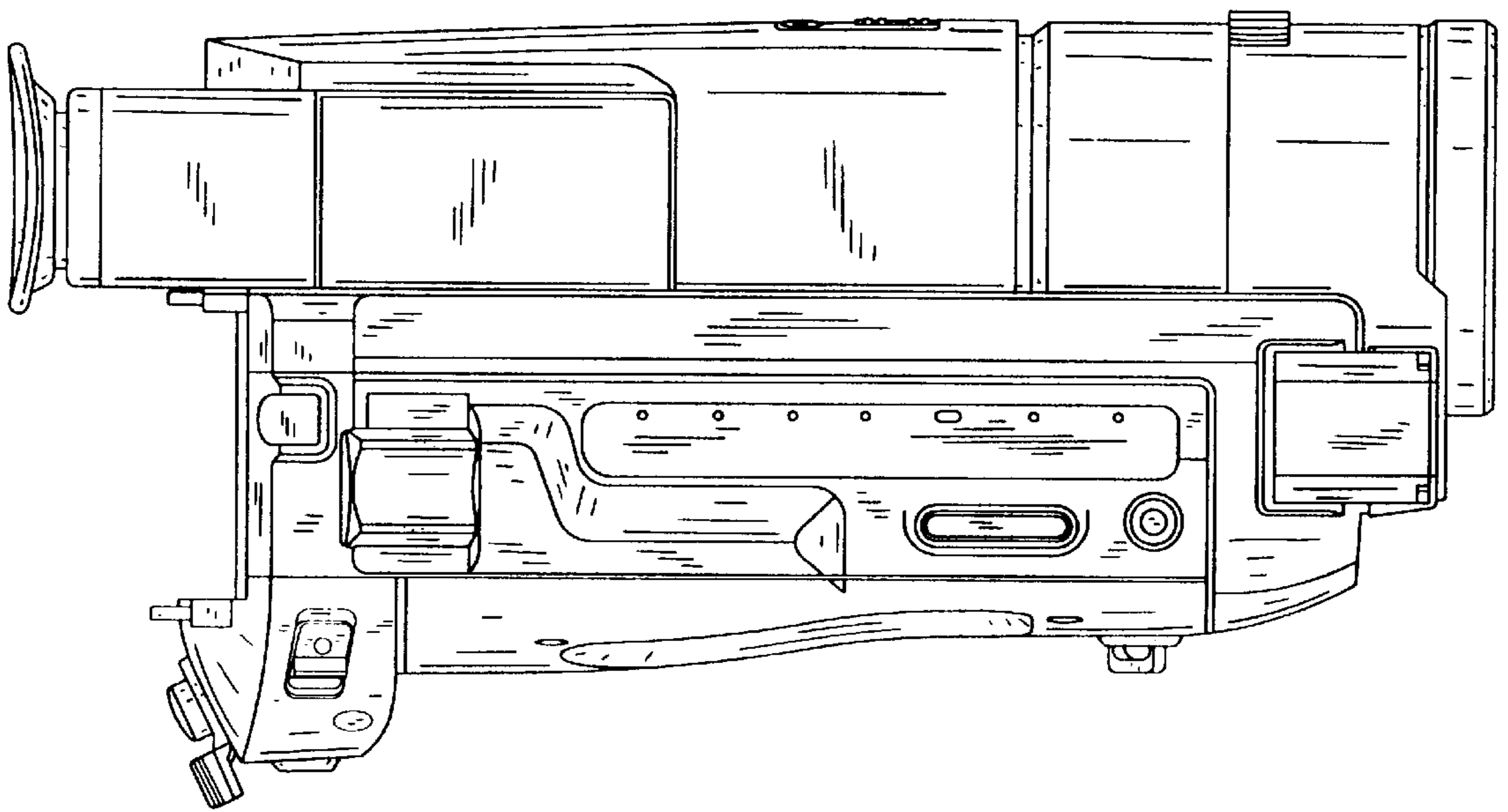


FIG. 8

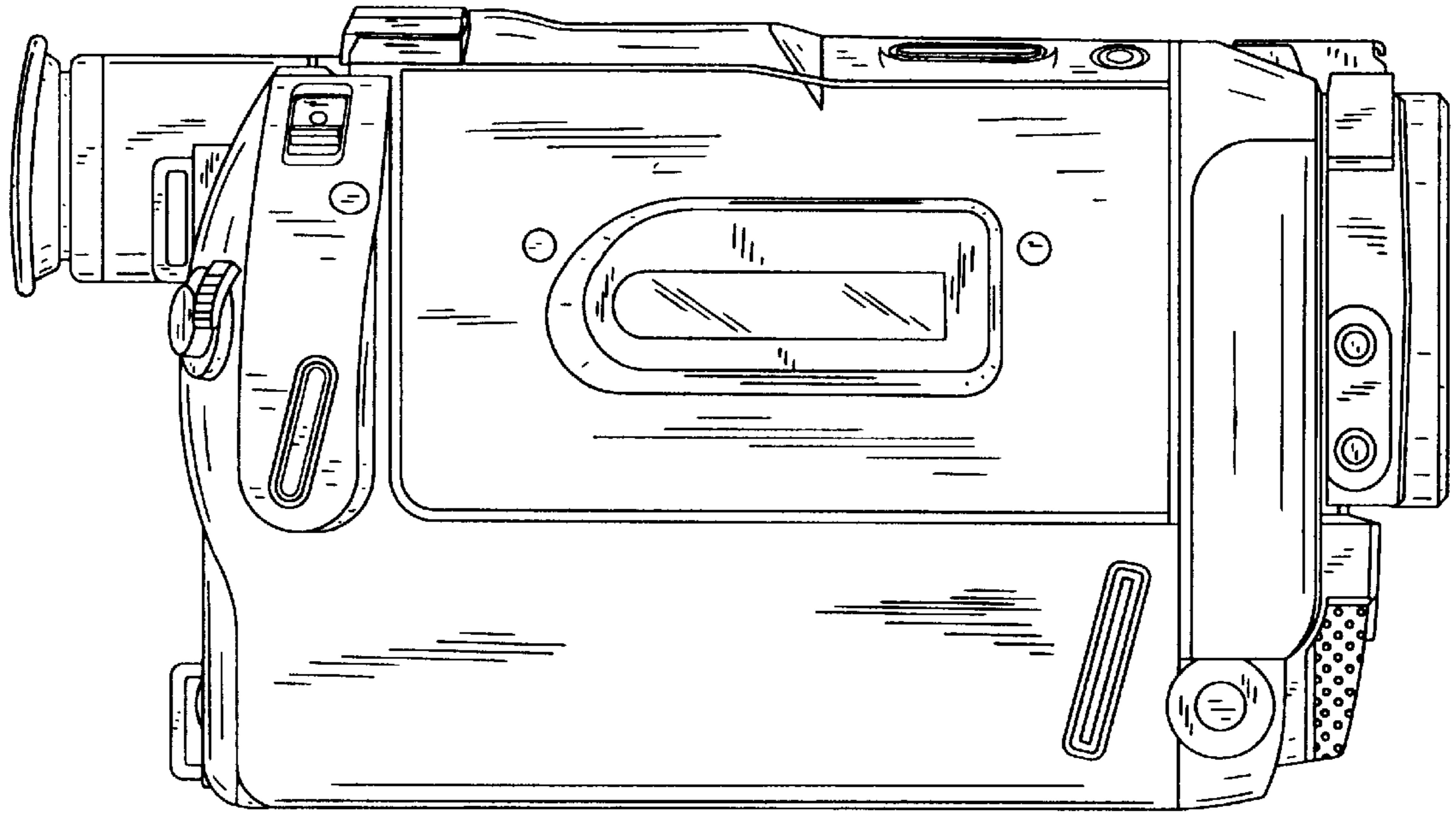


FIG. 9

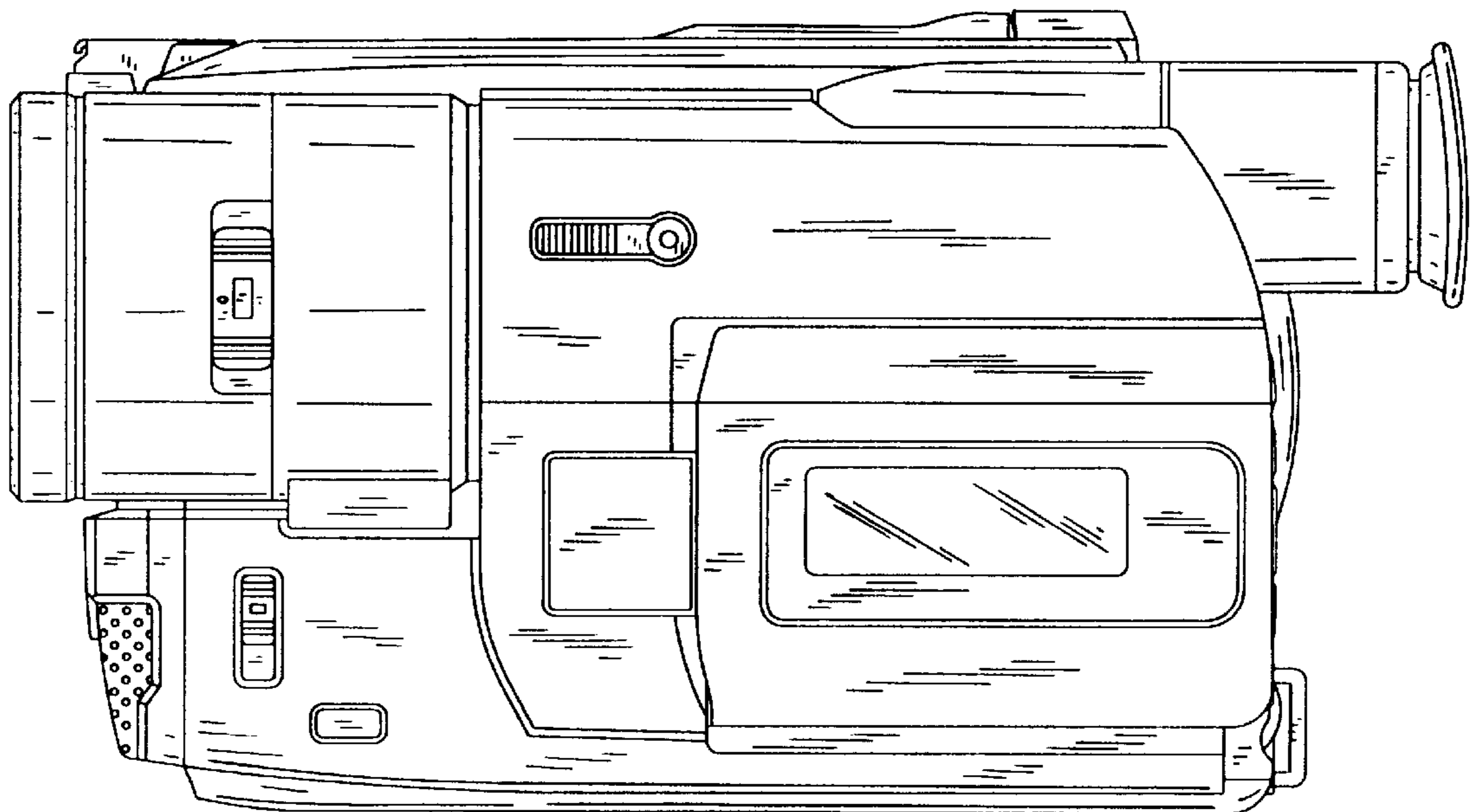


FIG. 11

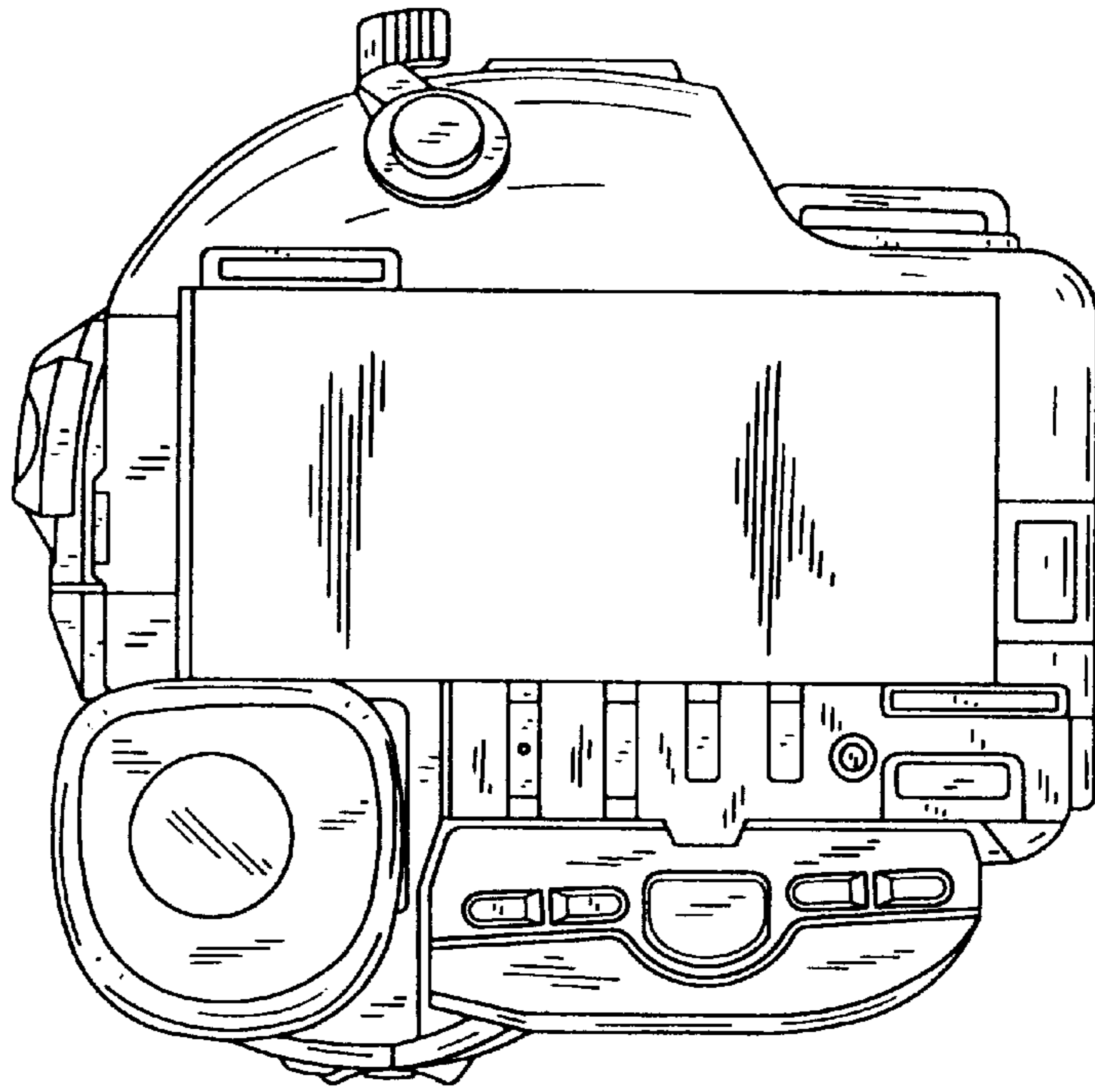


FIG. 10

