



US00D435571S

United States Patent [19]

[11] **Patent Number: Des. 435,571**

Dibbern et al.

[45] **Date of Patent: ** Dec. 26, 2000**

[54] **MOUNTING DEVICE FOR A CUTTING TOOL**

- D. 349,441 8/1994 Johnston D15/140
- D. 380,660 7/1997 Oakhar et al. D15/140
- D. 382,756 8/1997 Achterberg et al. D15/140
- D. 392,864 3/1998 Koike et al. D15/140

[75] Inventors: **John E. Dibbern**, Street, Md.; **Daniel L. Krout**, New Freedom, Pa.

Primary Examiner—Antoine Duval Davis
Attorney, Agent, or Firm—Adan Ayala

[73] Assignee: **Black & Decker Inc.**, Newark, Del.

[**] Term: **14 Years**

[57] CLAIM

[21] Appl. No.: **29/118,249**

The ornamental design for a mounting device for a cutting tool, as shown and described.

[22] Filed: **Feb. 4, 2000**

DESCRIPTION

Related U.S. Application Data

[62] Division of application No. 29/101,142, Feb. 24, 1999, Pat. No. Des. 424,076.

FIG. 1 is a front perspective view of a mounting device for a cutting tool;

[51] **LOC (7) Cl.** **15-09**

FIG. 2 is a front elevational view thereof;

[52] **U.S. Cl.** **D15/140**

FIG. 3 is a right side elevational view thereof;

[58] **Field of Search** D15/138, 140;
D8/70; 188/69; 83/13; 74/527; 192/69.82

FIG. 4 is a top plan view thereof;

FIG. 5 is a left side elevational view thereof; and,

FIG. 6 is a bottom plan view thereof.

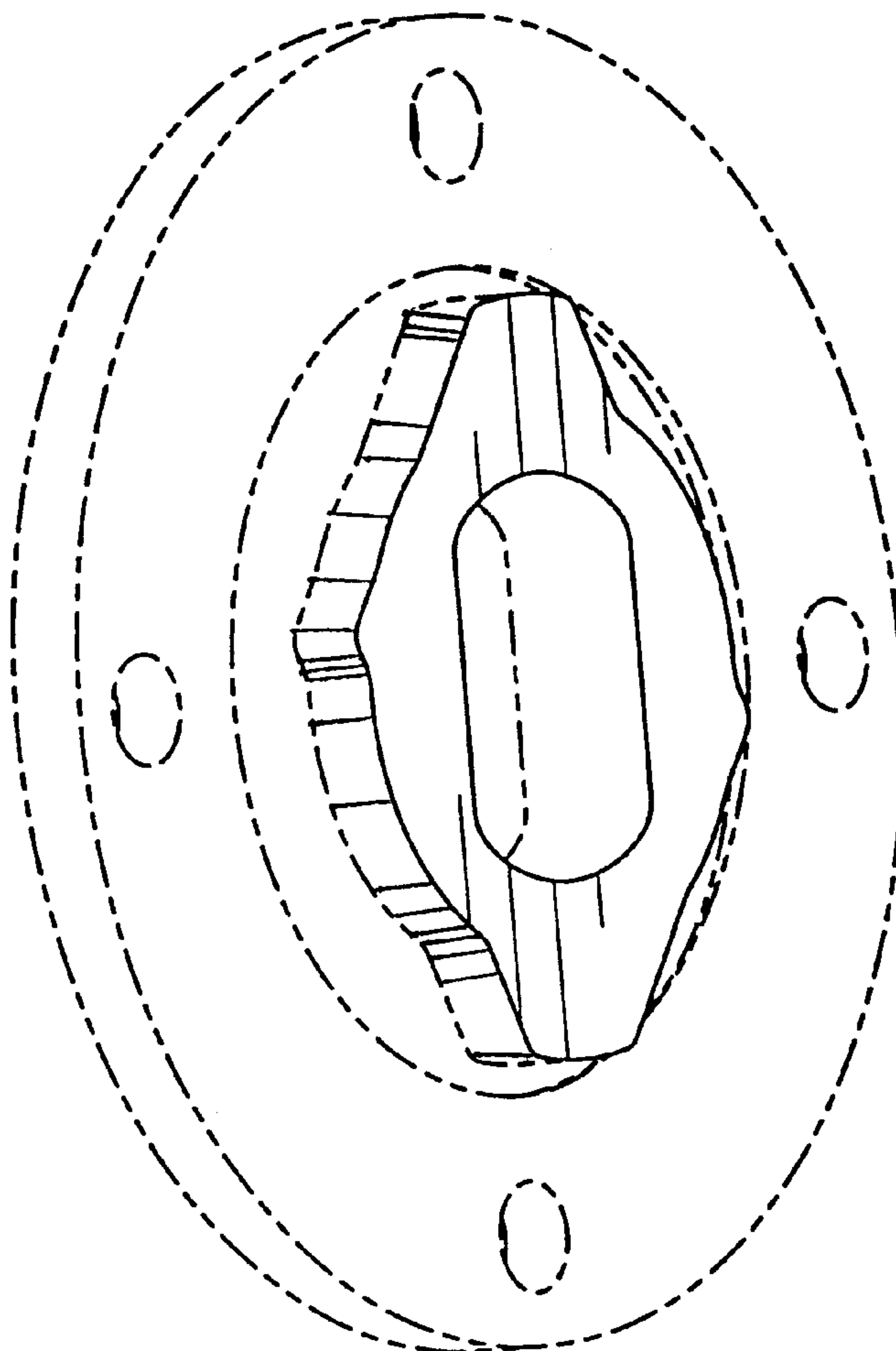
In the above drawing, any broken line illustration is not part of the design sought to be patented. In addition, any views not shown thereof do not form a part of the invention.

[56] References Cited

U.S. PATENT DOCUMENTS

D. 349,440 8/1994 Johnston D15/140

1 Claim, 3 Drawing Sheets



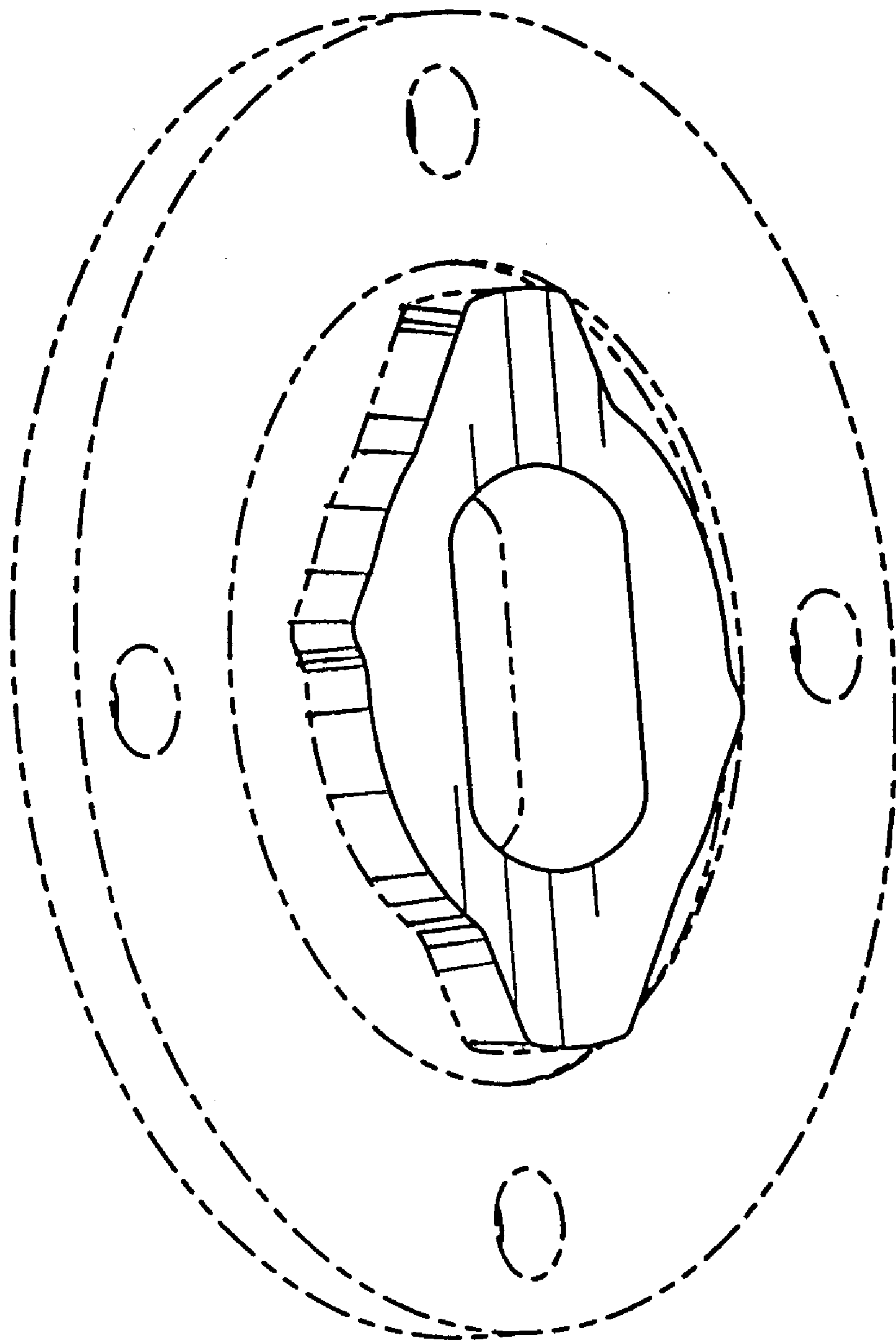


FIG. 1

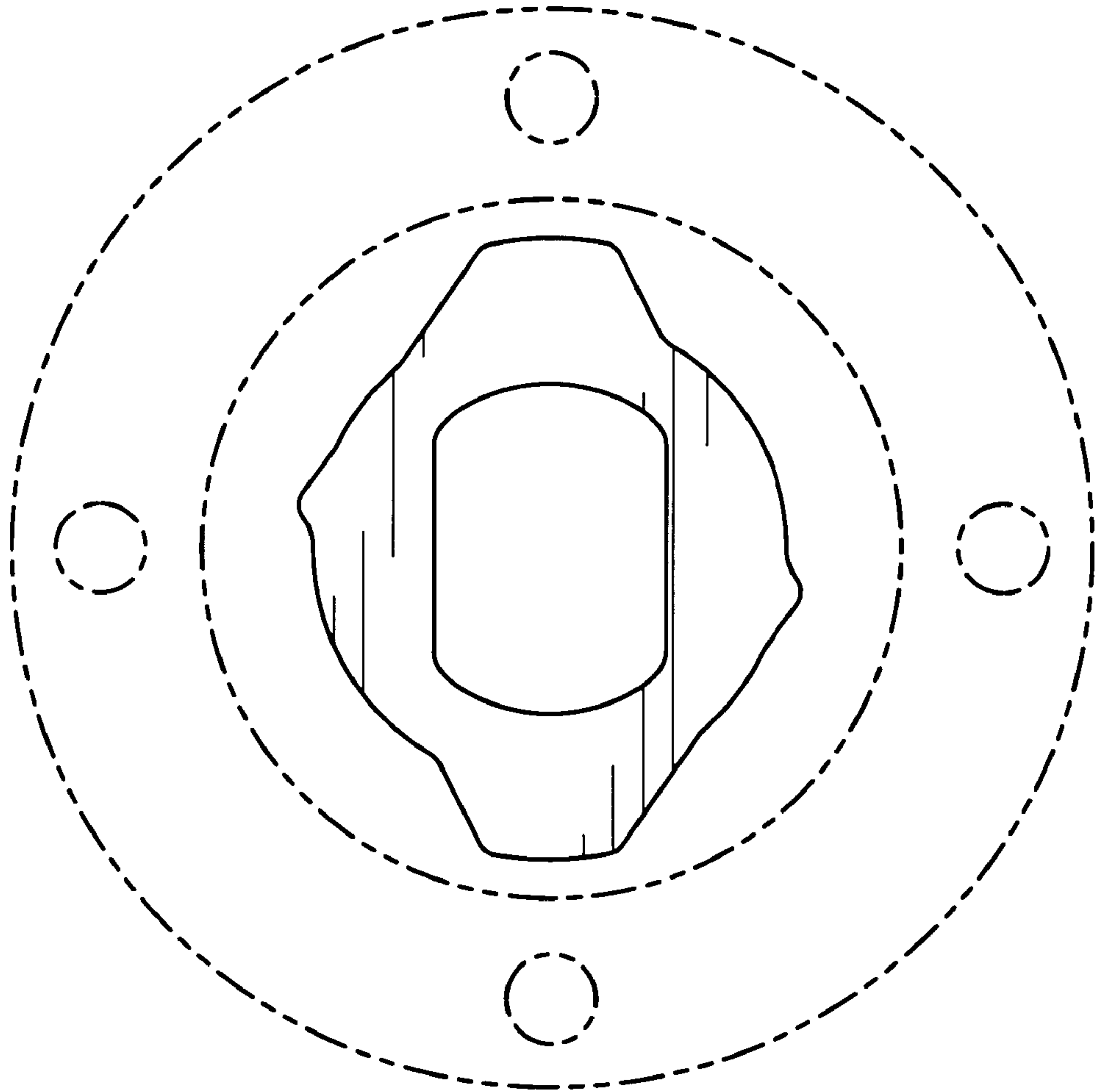


FIG. 2

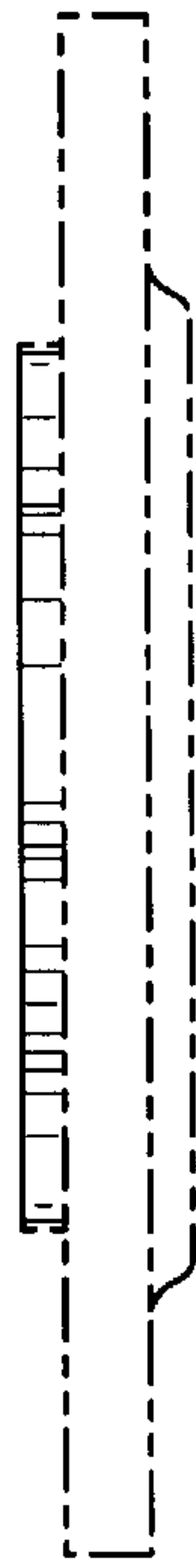


FIG. 3

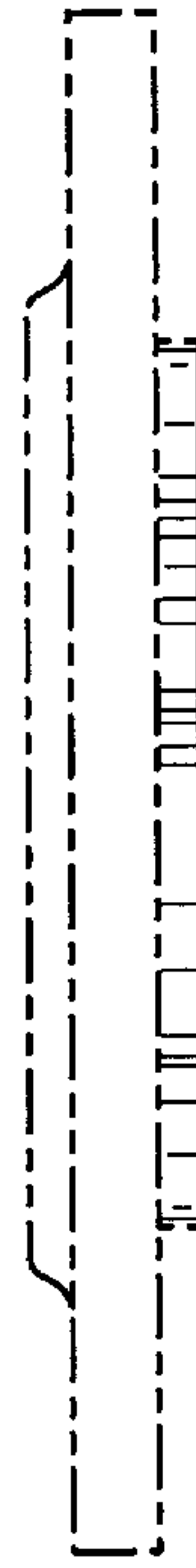


FIG. 5

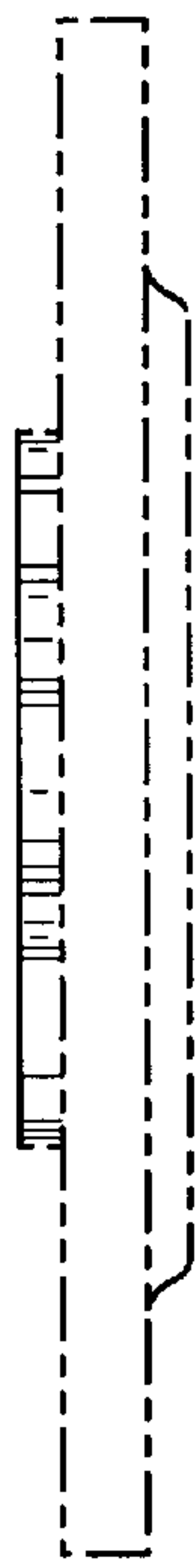


FIG. 4

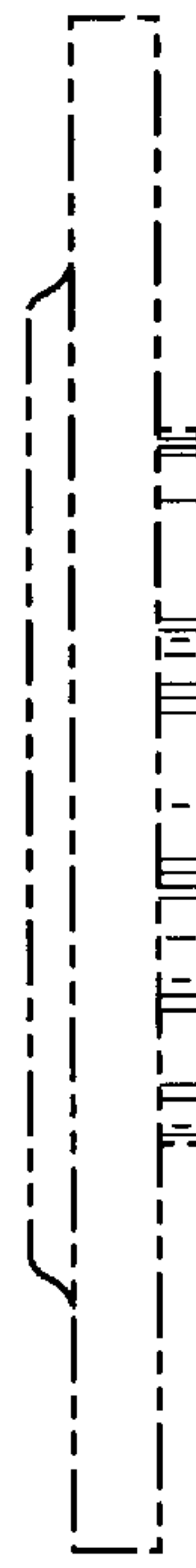


FIG. 6