



US00D435569S

United States Patent [19]

[11] Patent Number: Des. 435,569

Hollinger et al.

[45] Date of Patent: ** Dec. 26, 2000

[54] MITER SAW

Primary Examiner—Antoine Duval Davis
Attorney, Agent, or Firm—Kirkpatrick & Lockhart LLP

[75] Inventors: **David N. Hollinger**, Glenshaw; **Ronald E. Young**, Cheswick, both of Pa.; **Mark A. Etter**, Jackson, Tenn.; **Leslie D. Gist**, Jackson, Tenn.; **John C. Smith**, Jackson, Tenn.

[57] CLAIM

The ornamental design for a miter saw, as shown and described.

[73] Assignee: **Delta International Machinery Corp.**, Pittsburgh, Pa.

DESCRIPTION

[**] Term: **14 Years**

FIG. 1 is a first perspective view, taken from the front and to the left, of the miter saw of the present invention;

[21] Appl. No.: **29/115,416**

FIG. 2 is second perspective view, taken from the front and to the right, of the invention shown in FIG. 1;

[22] Filed: **Dec. 14, 1999**

FIG. 3 is a third perspective view, taken from the rear, of the invention shown in FIG. 1;

[51] LOC (7) Cl. **15-09**

[52] U.S. Cl. **D15/133**

FIG. 4 is a fourth perspective view, taken from the front and to the left, with the saw unit pivoted downward, of the invention shown in FIG. 1;

[58] Field of Search D15/133

[56] References Cited

U.S. PATENT DOCUMENTS

- D. 306,031 2/1990 Ushiwata et al. .
- D. 331,416 12/1992 Fushiya et al. D15/133
- D. 345,743 4/1994 Garcia .
- D. 348,272 6/1994 Brickner .
- D. 381,667 7/1997 Itzov et al. .
- 5,060,548 10/1991 Sato et al. .
- 5,146,825 9/1992 Dehari .
- 5,207,141 5/1993 Dehari .
- 5,421,228 6/1995 Fukinuki .
- 5,823,085 10/1998 Kondo et al. 83/471.3

OTHER PUBLICATIONS

“Sliding Compound Miter Saws”, *Woodworker’s Journal*, May/Jun. 1997, pp. 80–86.
HITACHI® Electric Power Tools Product Listing.
HITACHI® Power Tools Product Listing.

FIG. 5 is a front elevational view, with the saw unit pivoted downward, of the invention shown in FIG. 1;

FIG. 6 is a rear elevational view, with the saw unit pivoted downward, of the invention shown in FIG. 1;

FIG. 7 is a top view of the invention shown in FIG. 1; and

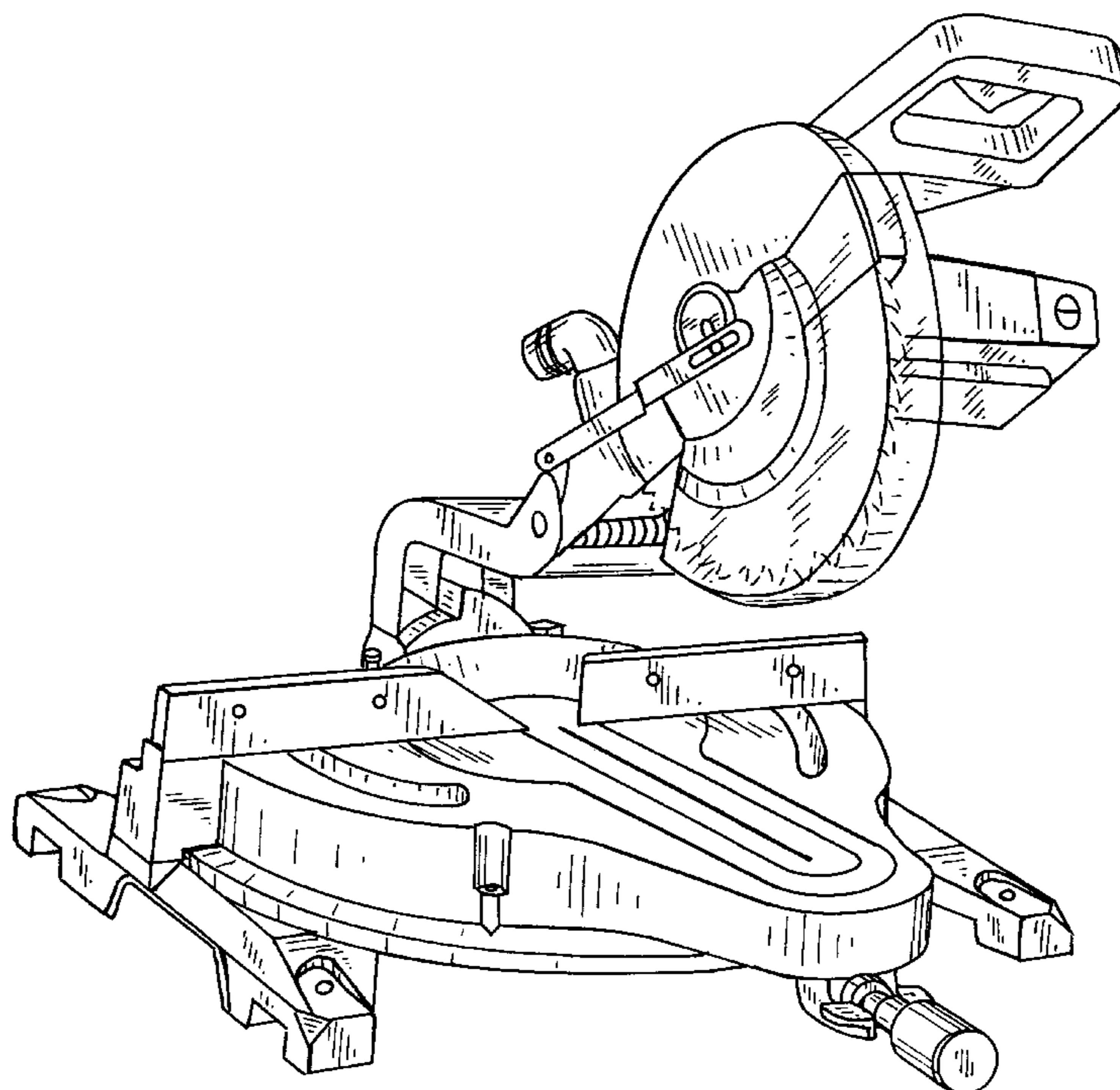
FIG. 8 is a bottom view of the invention shown in FIG. 1.

FIG. 9 is a left side perspective view, with the saw unit pivoted downward, of the invention shown in FIG. 1; and,

FIG. 10 is a right side perspective view, with the saw unit pivoted downward, of the invention shown in FIG. 1.

The broken line showing is for illustrative purposes only and forms no part of the claimed design.

1 Claim, 10 Drawing Sheets



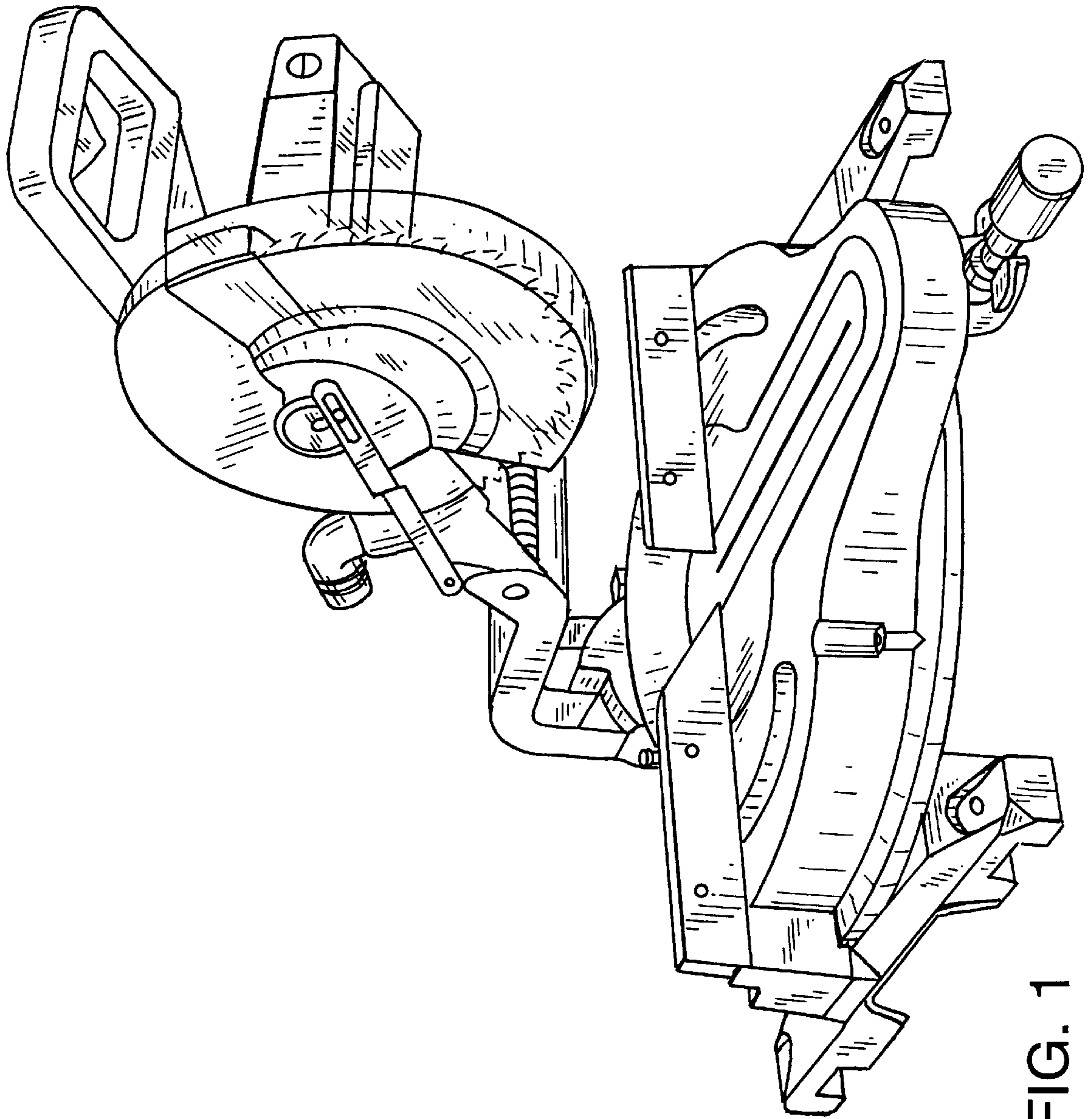


FIG. 1

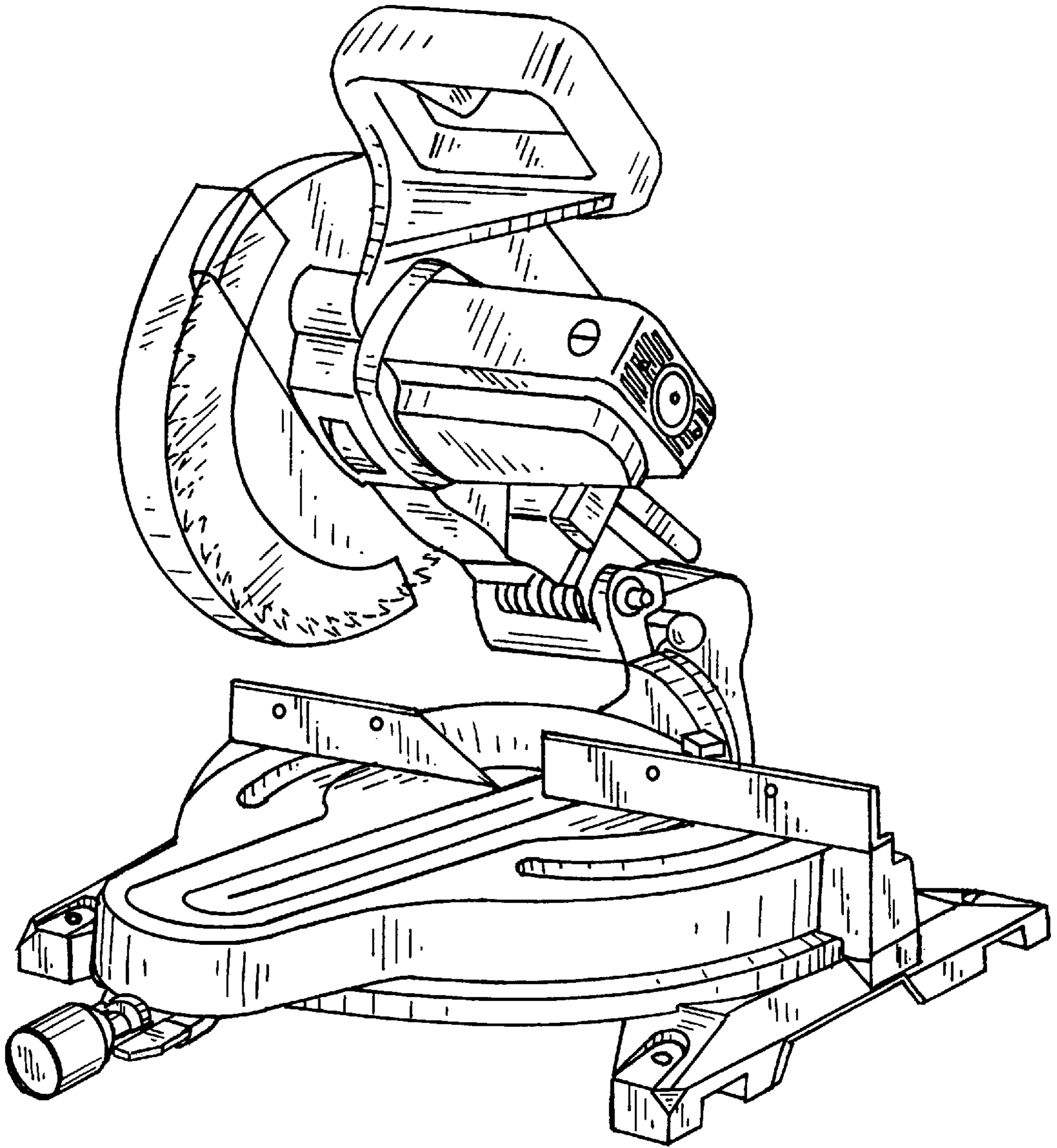


FIG. 2

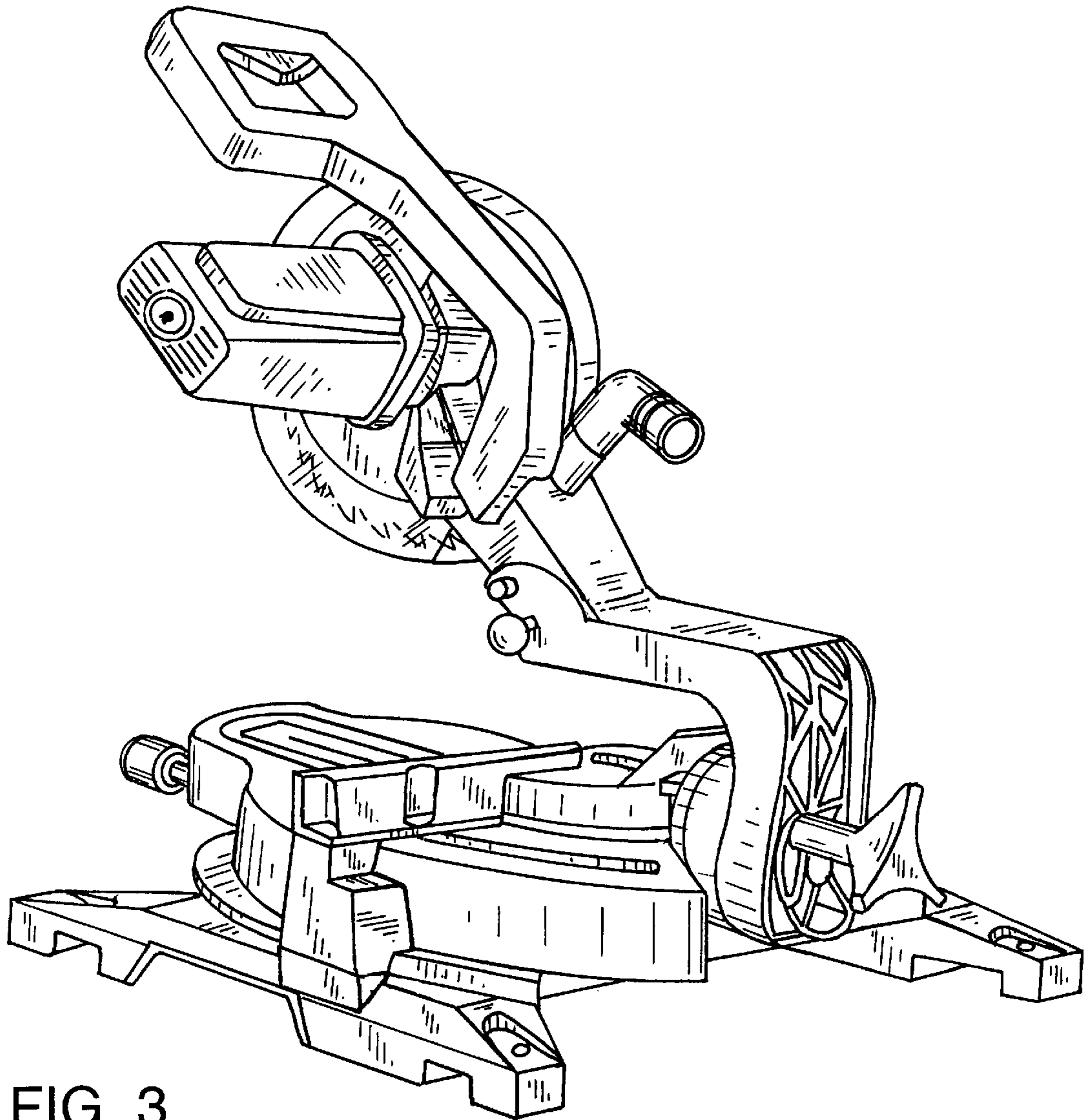


FIG. 3

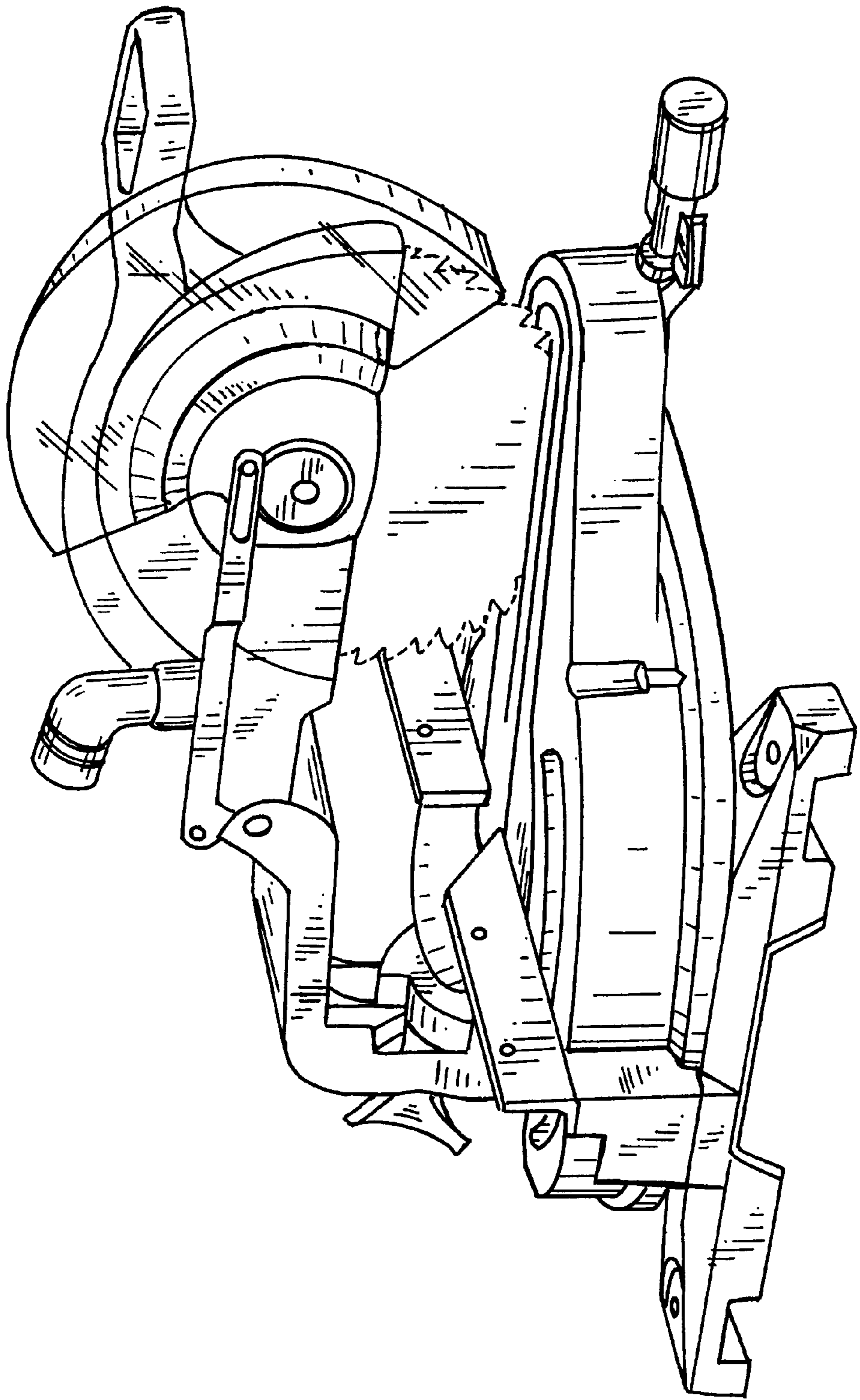


FIG. 4

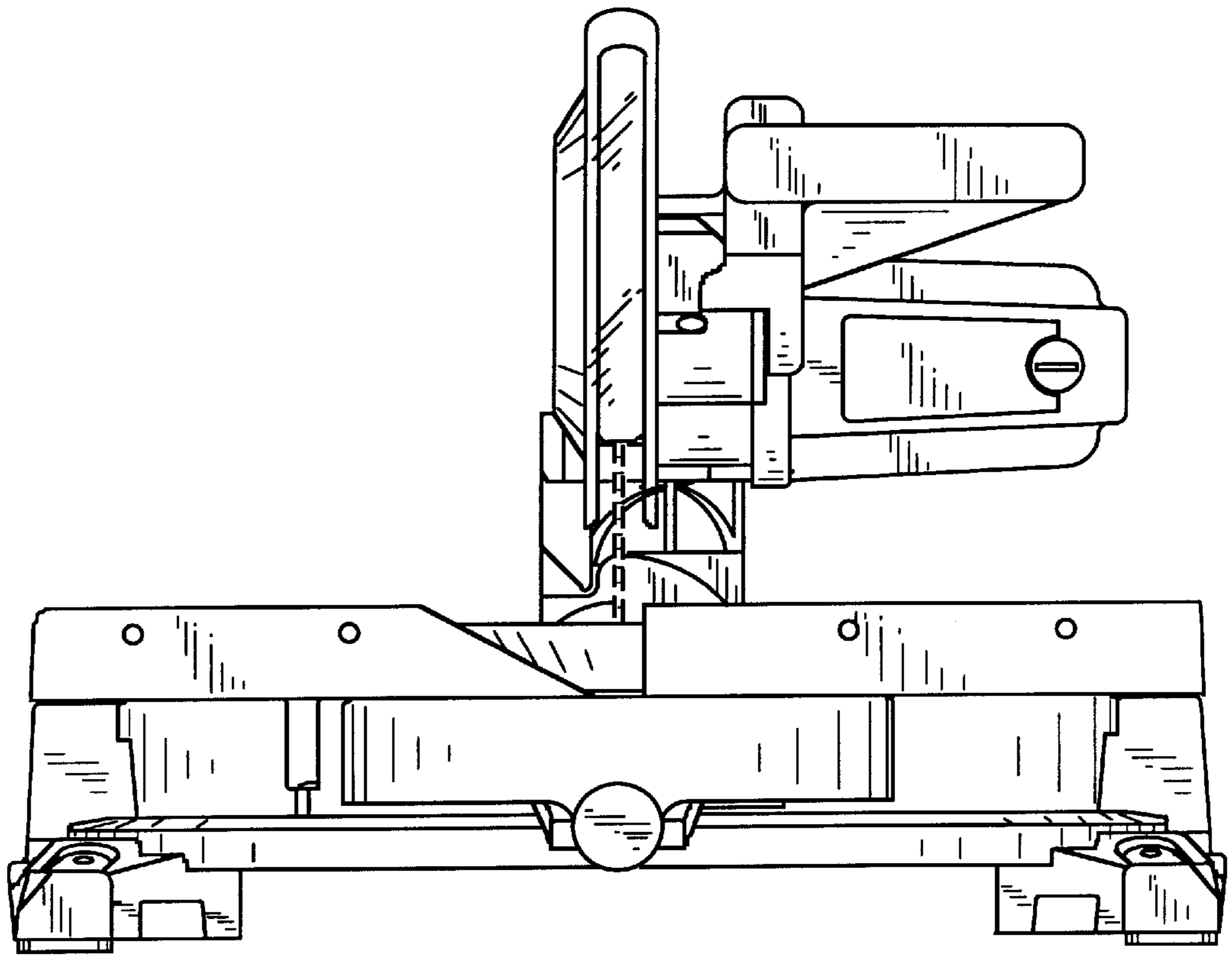


FIG. 5

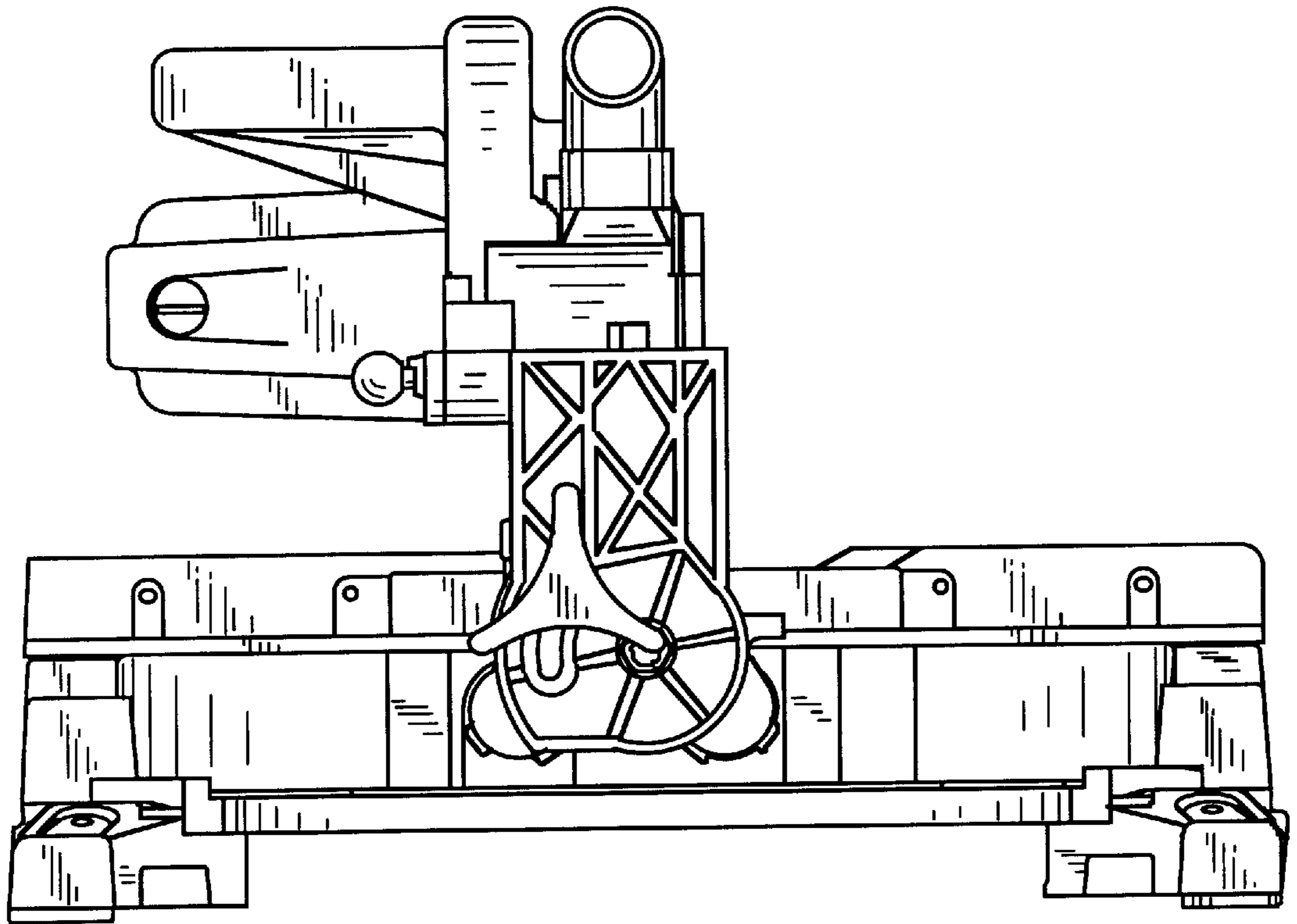


FIG. 6

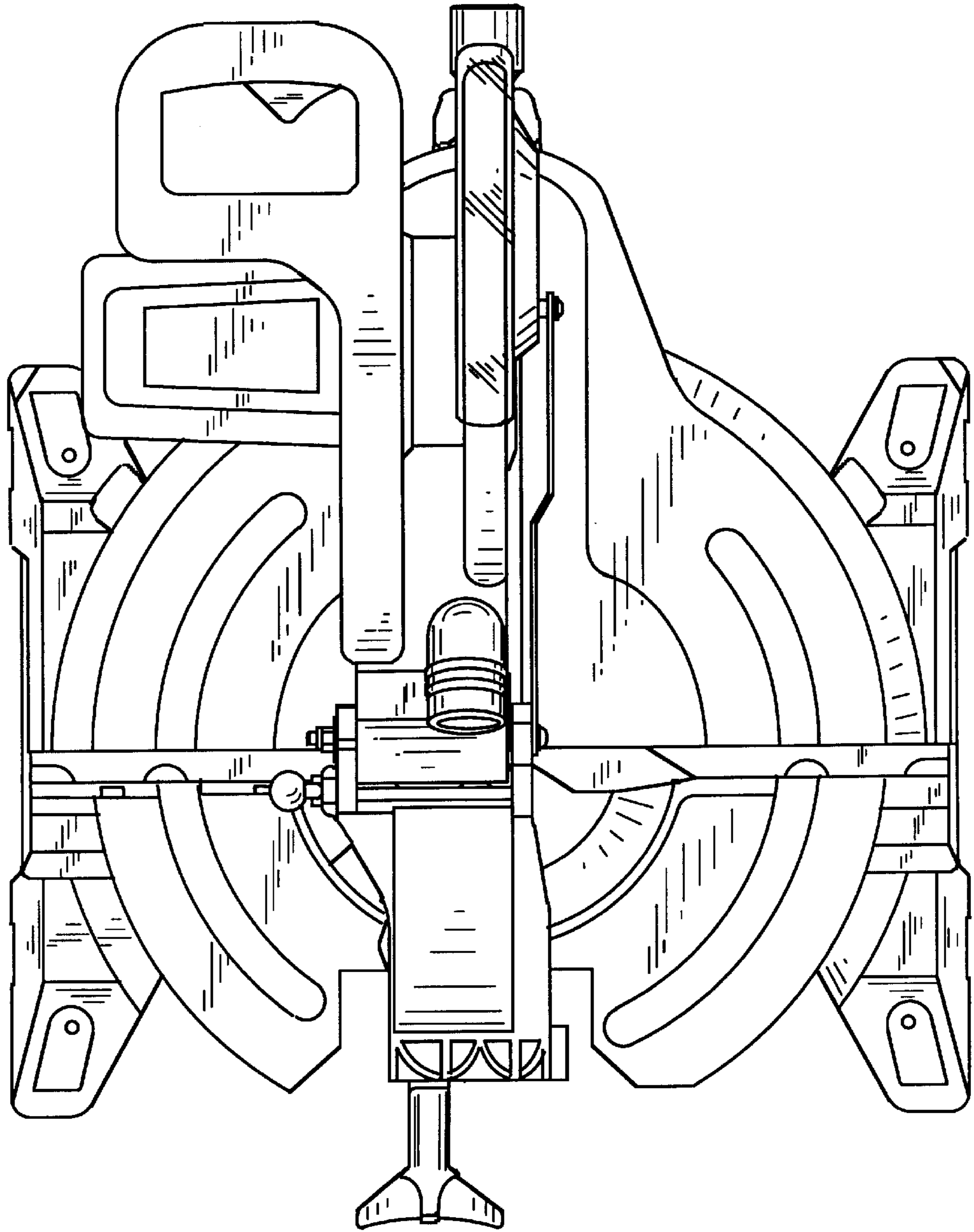


FIG. 7

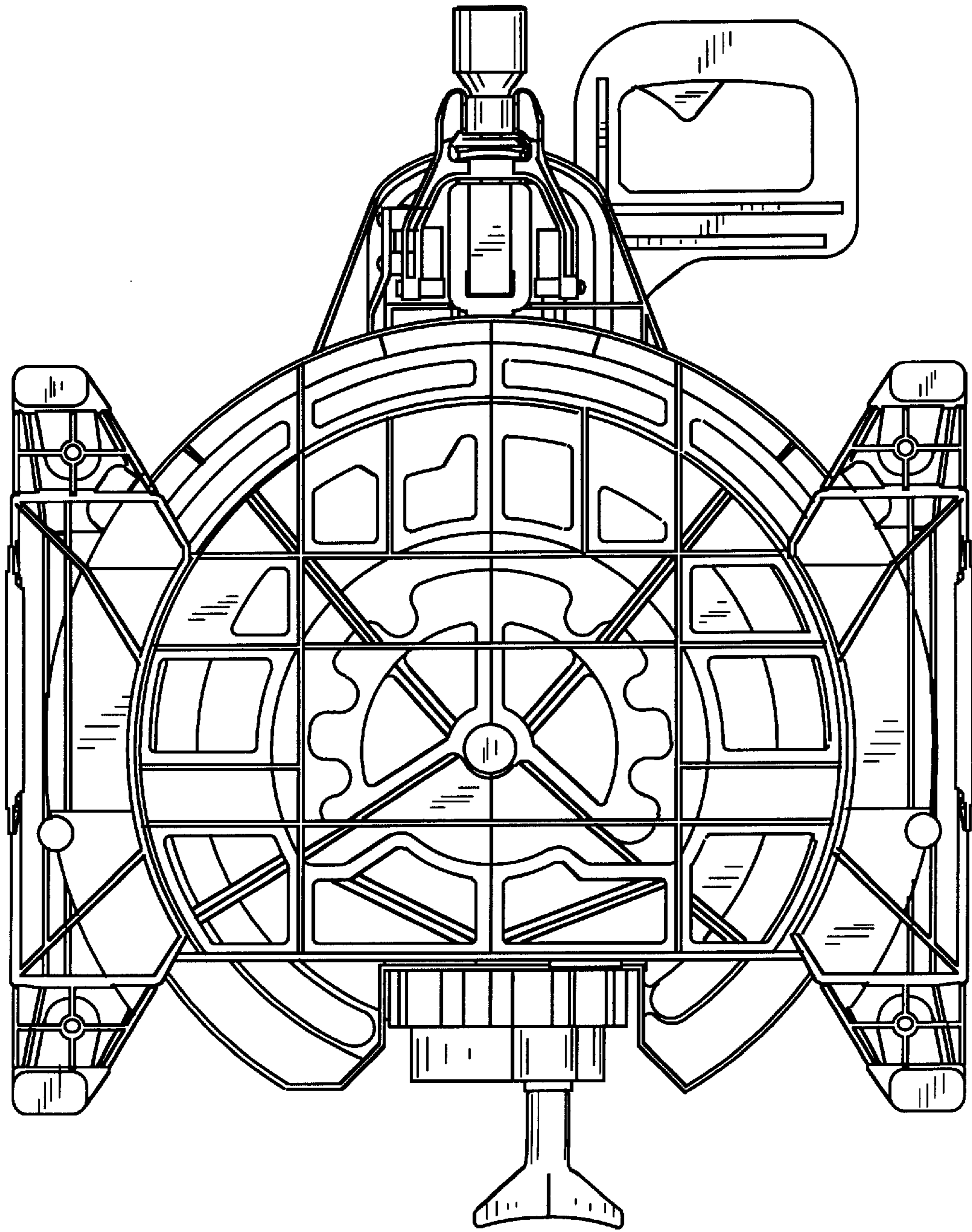


FIG. 8

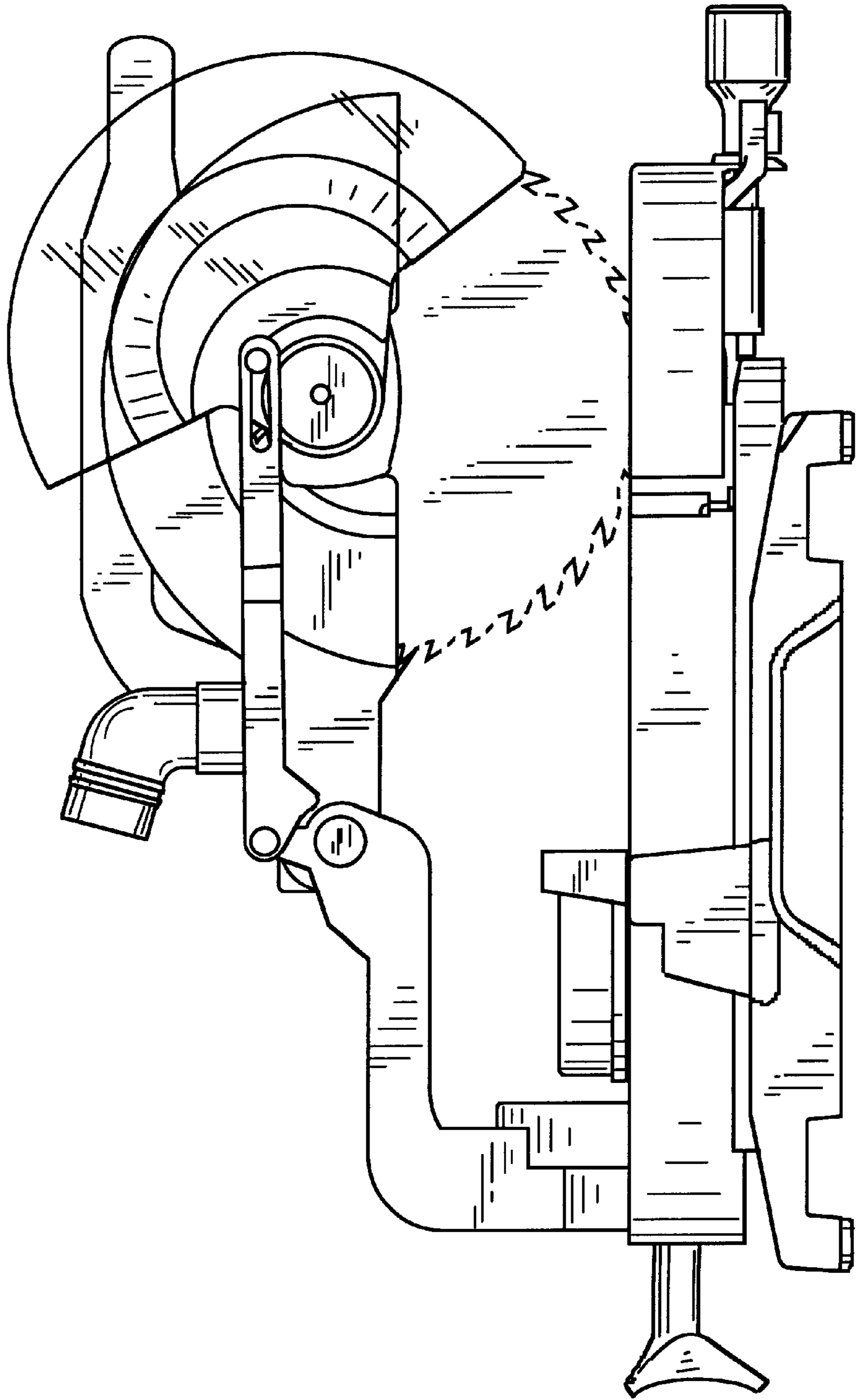


FIG. 9

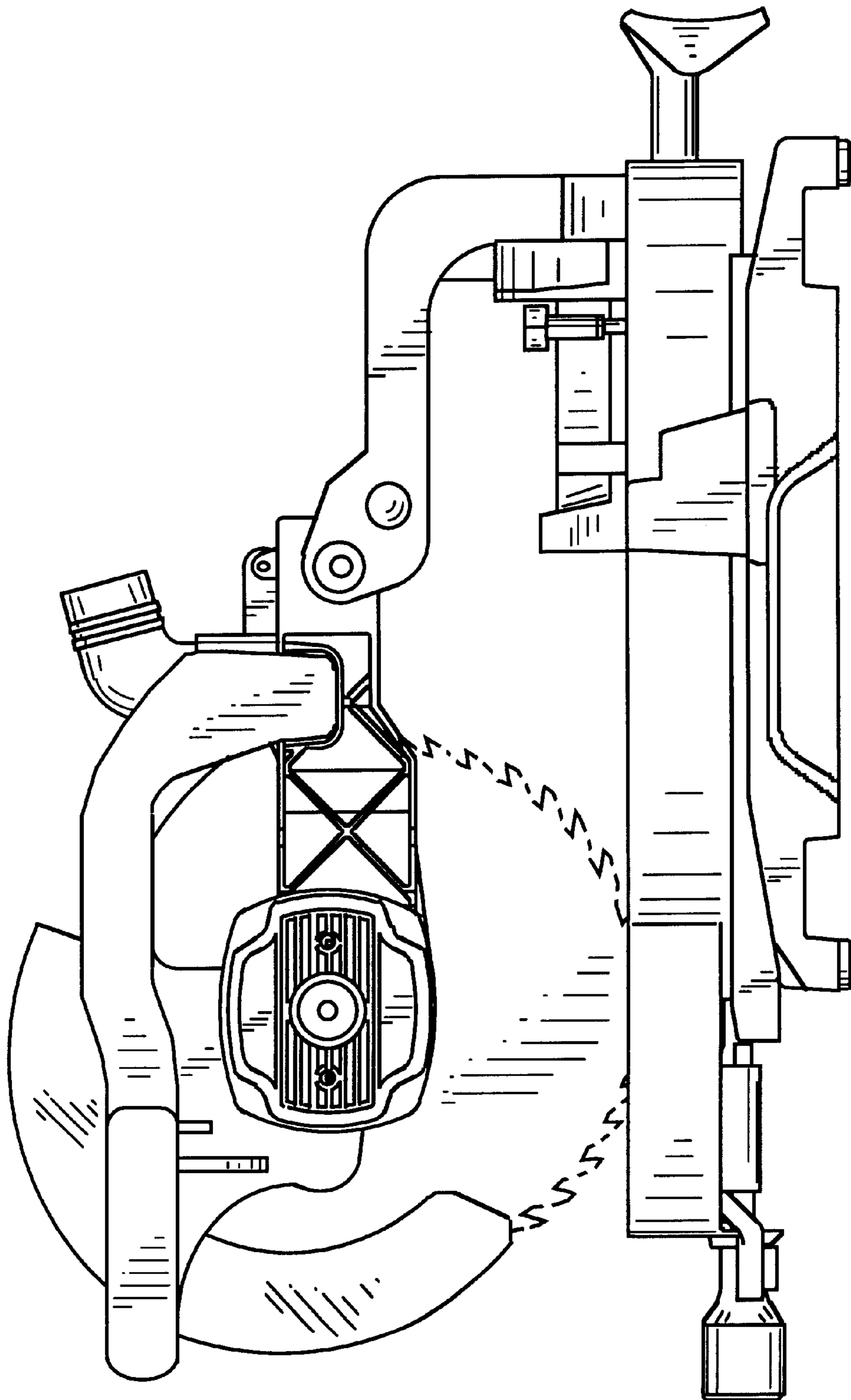


FIG. 10