



US00D435567S

United States Patent [19] Clendenning

[11] Patent Number: **Des. 435,567**

[45] Date of Patent: **** Dec. 26, 2000**

[54] **DIGGING TOOTH**

5,778,570 7/1998 Eichelberger 37/450
5,802,752 9/1998 Quarfordt 37/452

[75] Inventor: **Charles Clendenning**, Broken Arrow, Okla.

FOREIGN PATENT DOCUMENTS

[73] Assignee: **H&L Tooth Co.**, Tulsa, Okla.

999895 11/1976 Canada .
2 264 140 10/1975 France .
2938119 4/1981 Germany 37/454
3839062 11/1988 Germany 37/454
43 45 100A1 7/1995 Germany .

[**] Term: **14 Years**

[21] Appl. No.: **29/112,696**

Primary Examiner—Sandra L. Morris
Attorney, Agent, or Firm—John W. Harbst

[22] Filed: **Oct. 21, 1999**

[51] **LOC (7) Cl.** **15-04**

[57] **CLAIM**

[52] **U.S. Cl.** **D15/29**

The ornamental design for a digging tooth, as shown and described.

[58] **Field of Search** D15/10, 25, 28,
D15/29; 37/452-455

DESCRIPTION

[56] **References Cited**

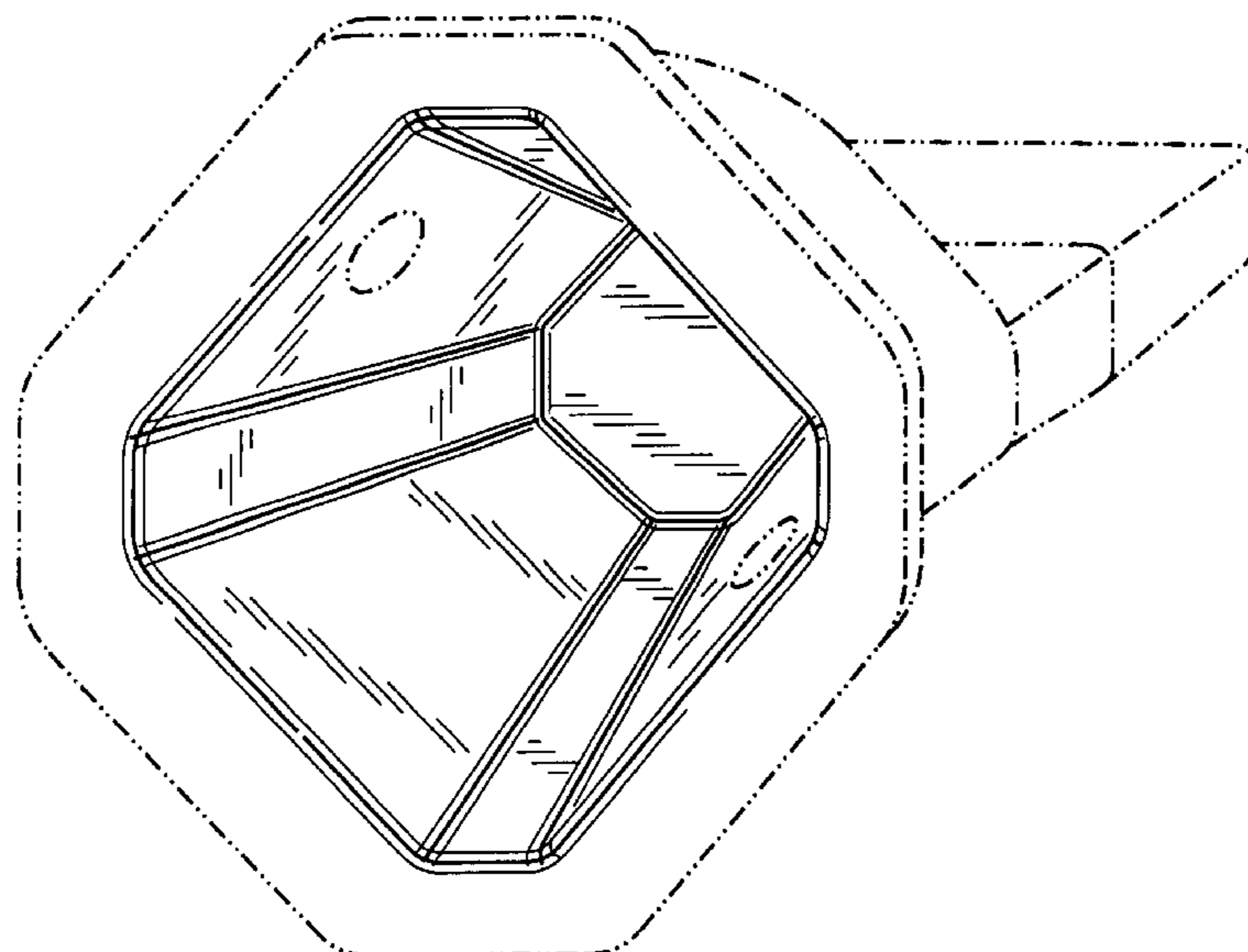
U.S. PATENT DOCUMENTS

1,685,195	9/1928	Gilbert .	
1,909,850	5/1933	Younie .	
2,118,872	5/1938	Weimer .	
2,227,674	1/1941	Ratkowski	37/454
3,091,044	5/1963	Penote et al. .	
3,117,386	1/1964	Ferwerda	37/454
3,297,365	1/1967	Proctor .	
3,425,117	2/1969	Hill	228/170
3,444,633	5/1969	Hensley	37/452
3,623,247	11/1971	Stepe .	
4,317,300	3/1982	Emrich et al. .	
4,481,728	11/1984	Mulder et al.	37/452
4,611,418	9/1986	Lauder .	
4,711,503	12/1987	Burchem et al. .	
4,949,481	8/1990	Fellner	37/452
4,965,945	10/1990	Emrich .	
5,016,365	5/1991	Robinson .	
5,018,283	5/1991	Fellner	37/452
5,074,062	12/1991	Hahn et al. .	
5,177,886	1/1993	Klett .	
5,224,282	7/1993	Swick	37/453
5,469,648	11/1995	Jones et al.	37/457
5,666,748	9/1997	Emrich et al.	37/453

FIG. 1 is a rear, right side perspective view of a digging tooth showing one embodiment of my new design;
FIG. 2 is a rear elevational view thereof;
FIG. 3 is a sectional view taken along line 3—3 of FIG. 2;
FIG. 4 is another sectional view taken along line 4—4 of FIG. 2;
FIG. 5 is a rear, right side perspective view of another embodiment of my new design;
FIG. 6 is a rear elevational view thereof;
FIG. 7 is a sectional view taken along line 7—7 of FIG. 6;
FIG. 8 is another sectional view taken along line 8—8 of FIG. 6;
FIG. 9 is a rear, right side perspective view of another embodiment of my new design;
FIG. 10 is a rear elevational view thereof;
FIG. 11 is a sectional view taken along line 11—11 of FIG. 10; and,
FIG. 12 is another sectional view taken along line 12—12 of FIG. 10.

The phantom lines shown in the drawings form no part of the present invention.

1 Claim, 9 Drawing Sheets



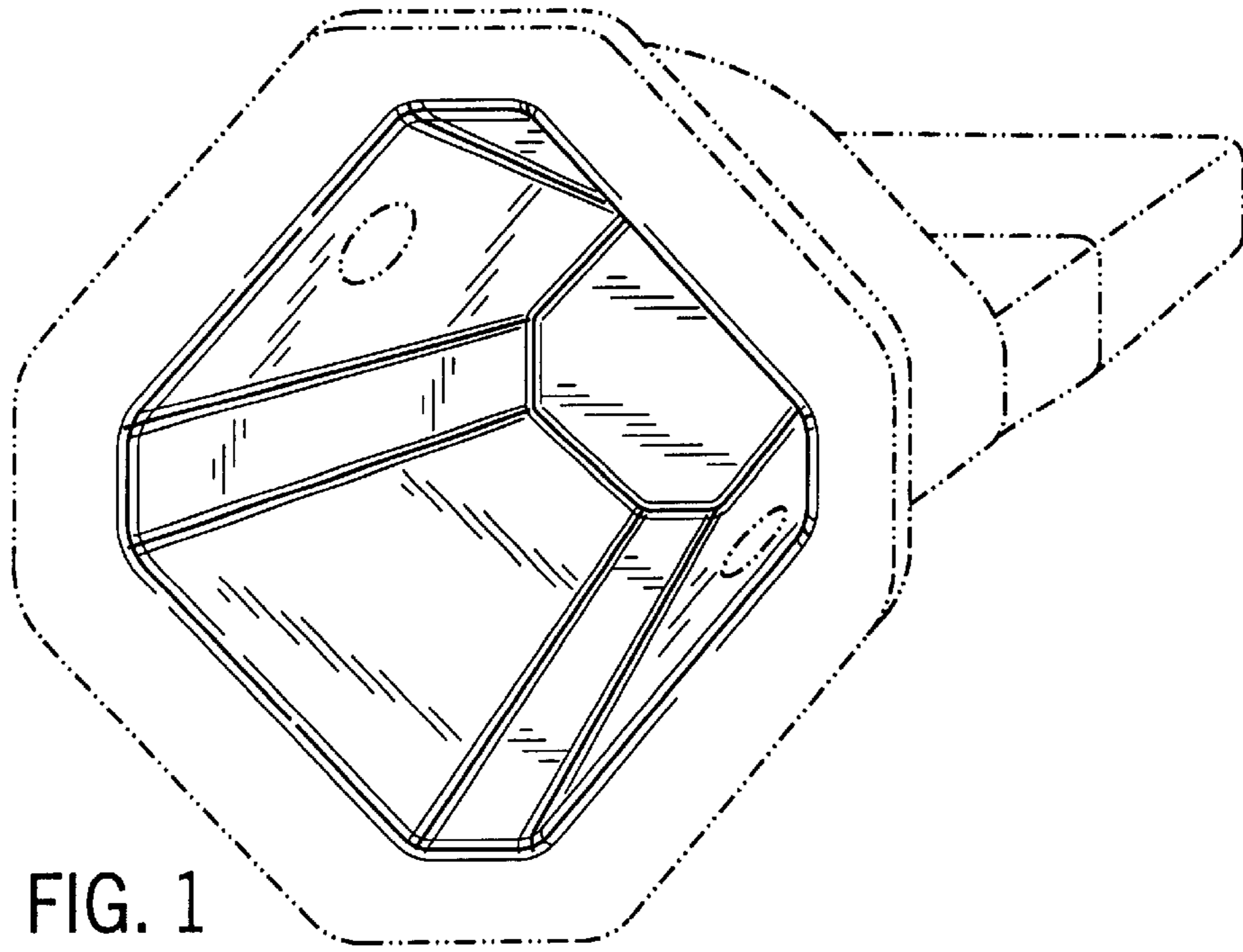


FIG. 1

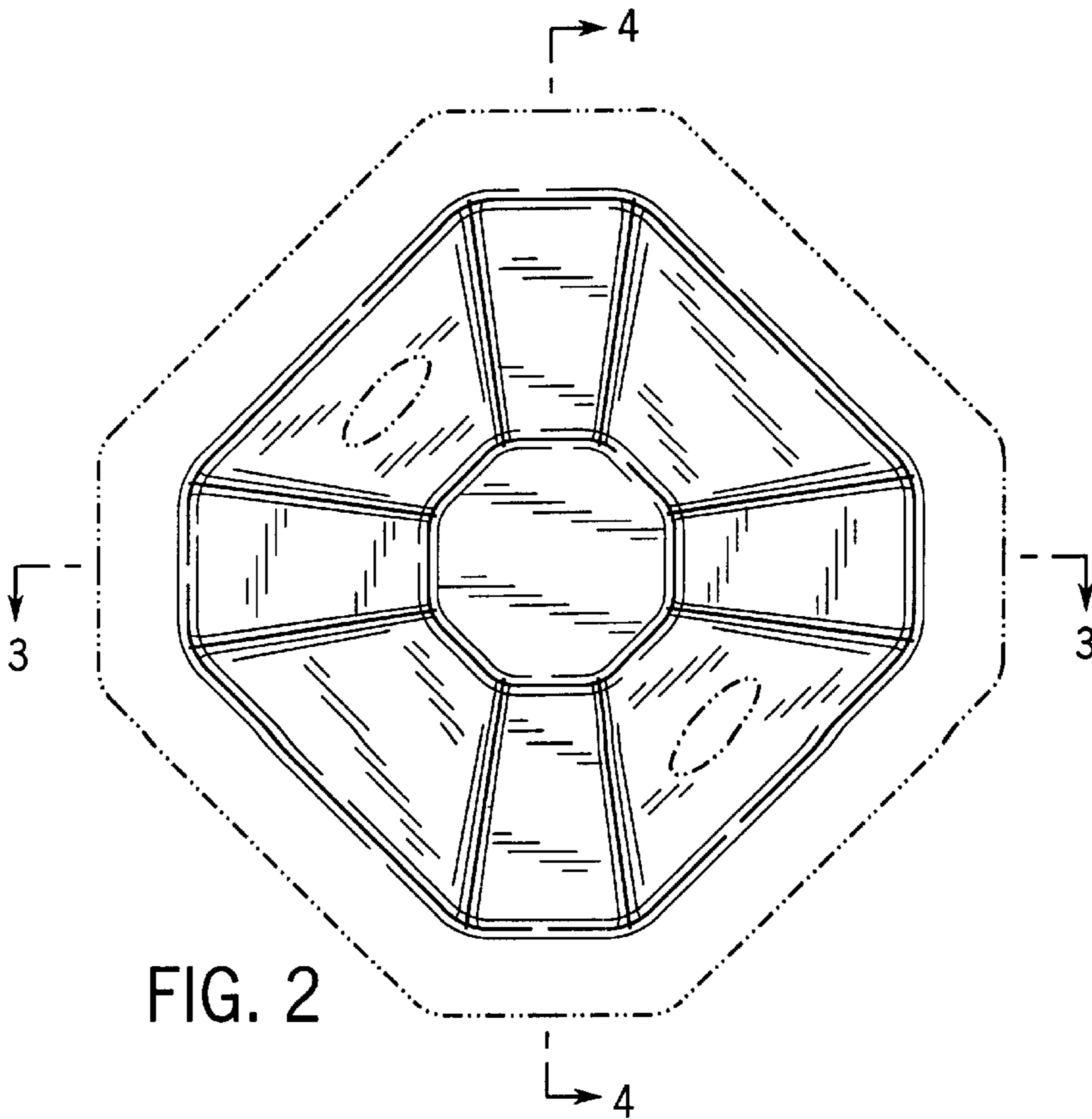


FIG. 2

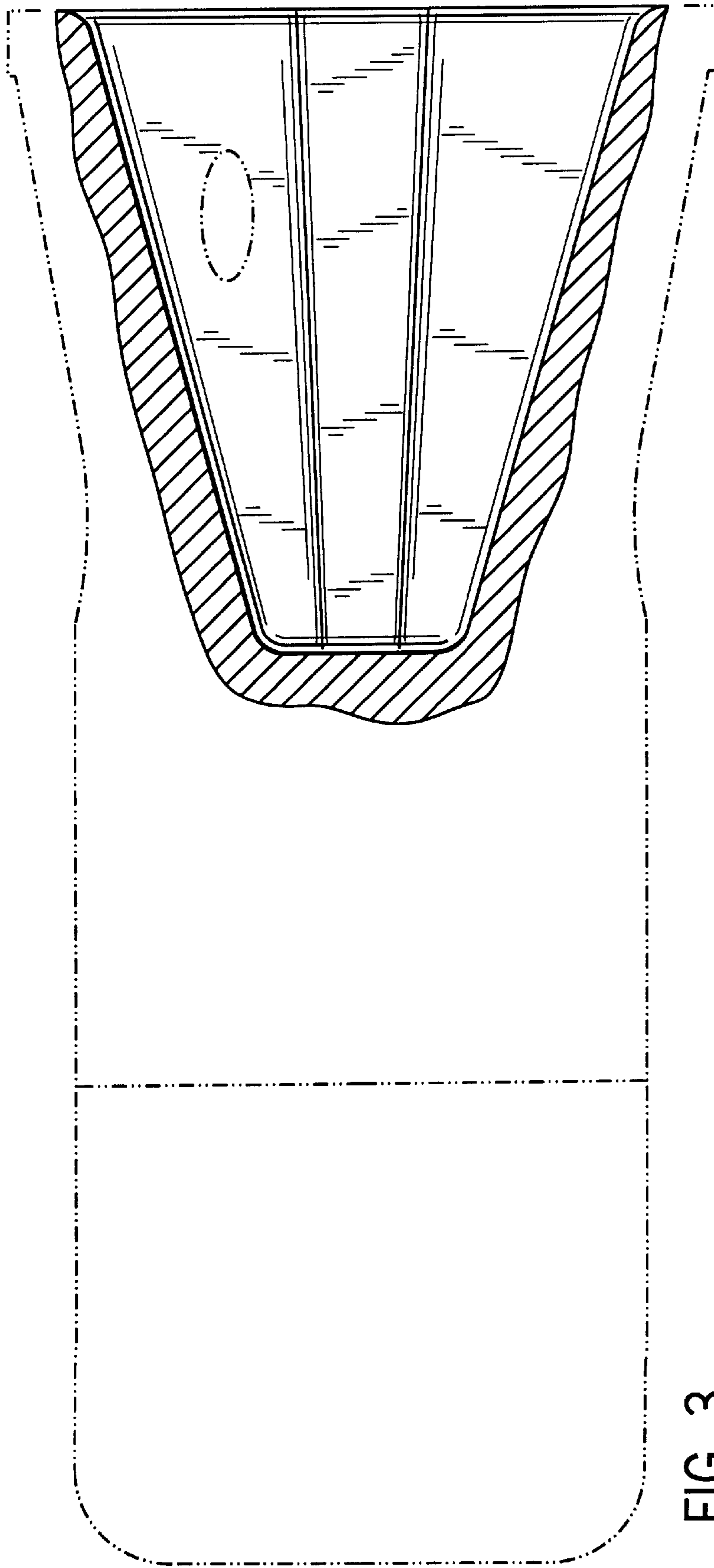


FIG. 3

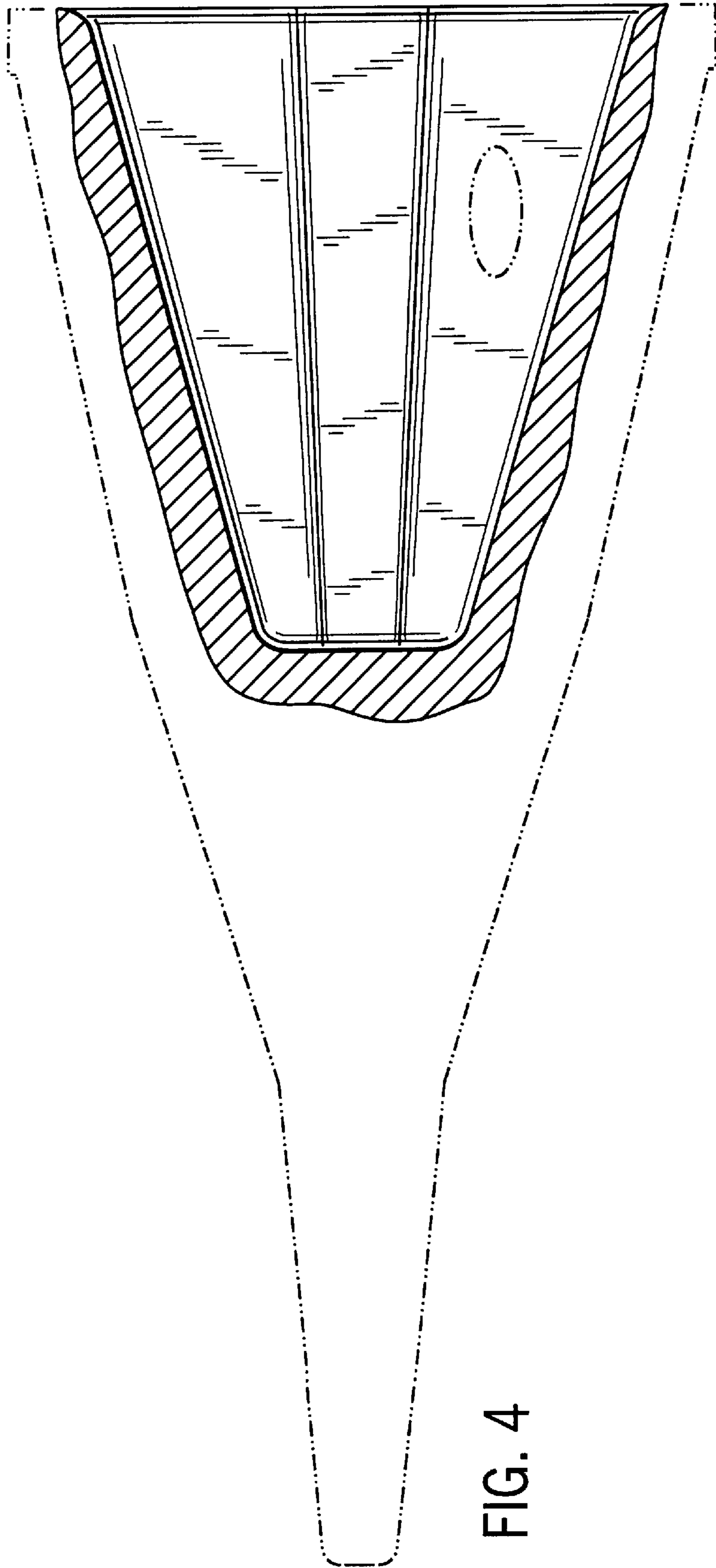
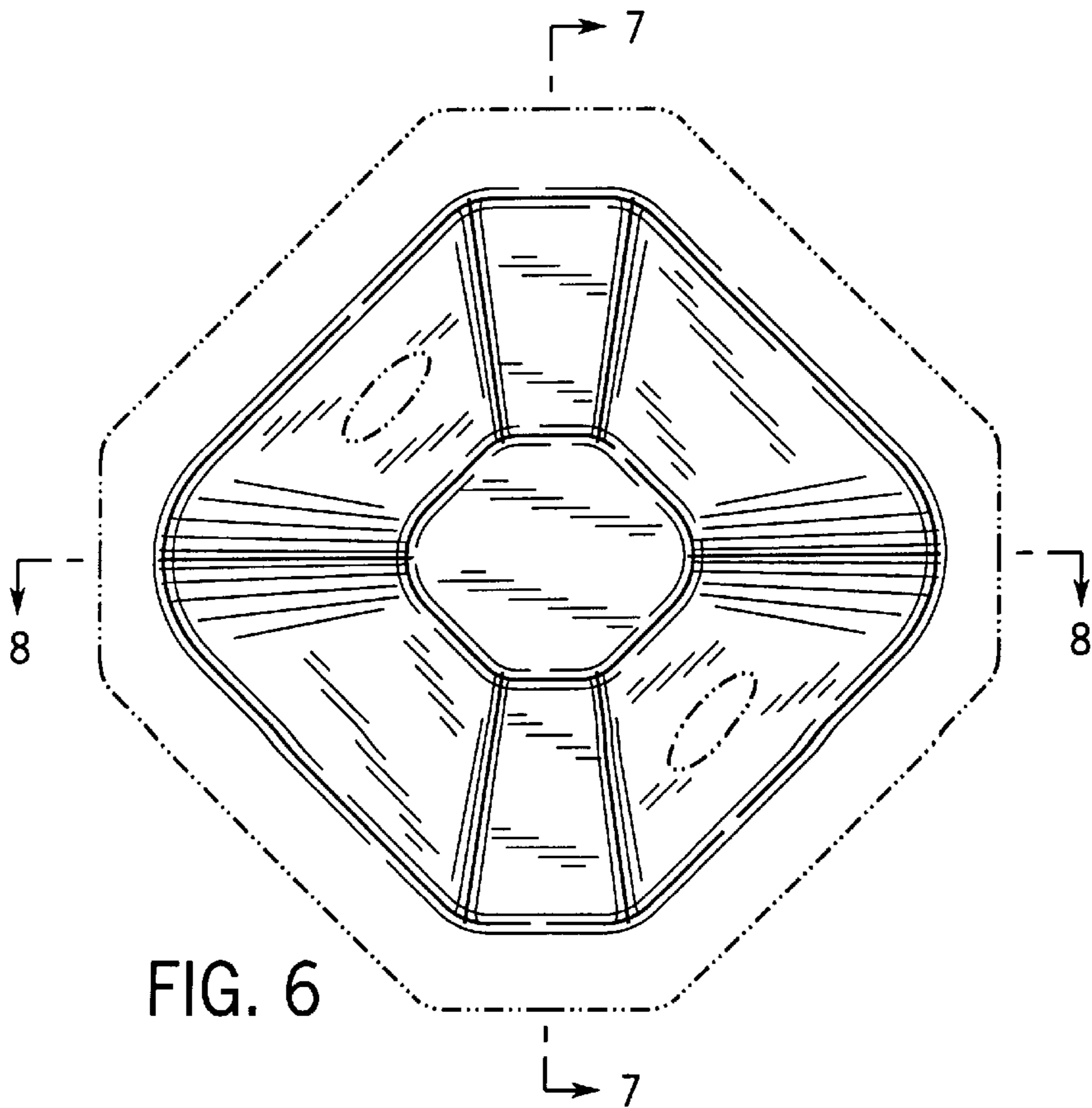
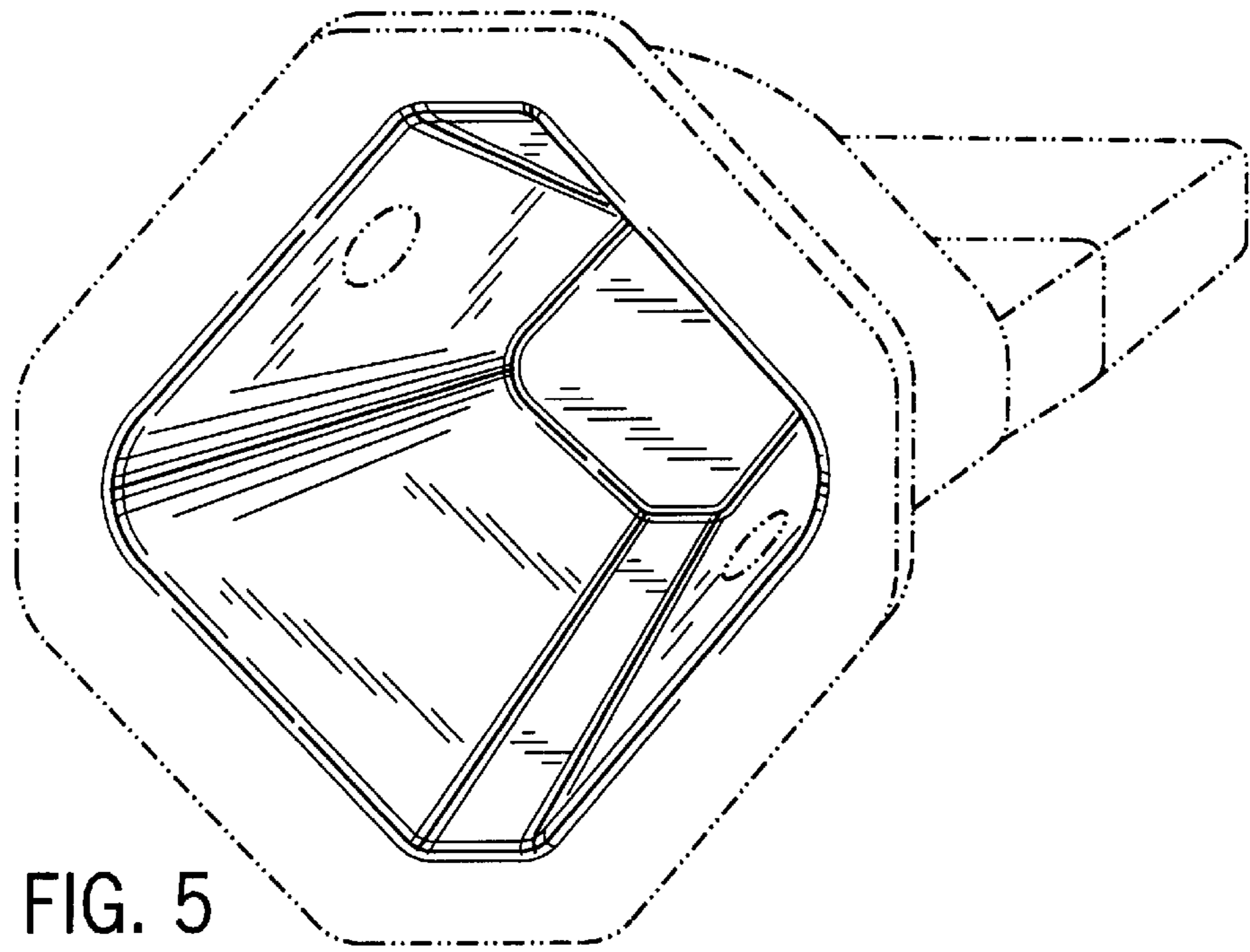


FIG. 4



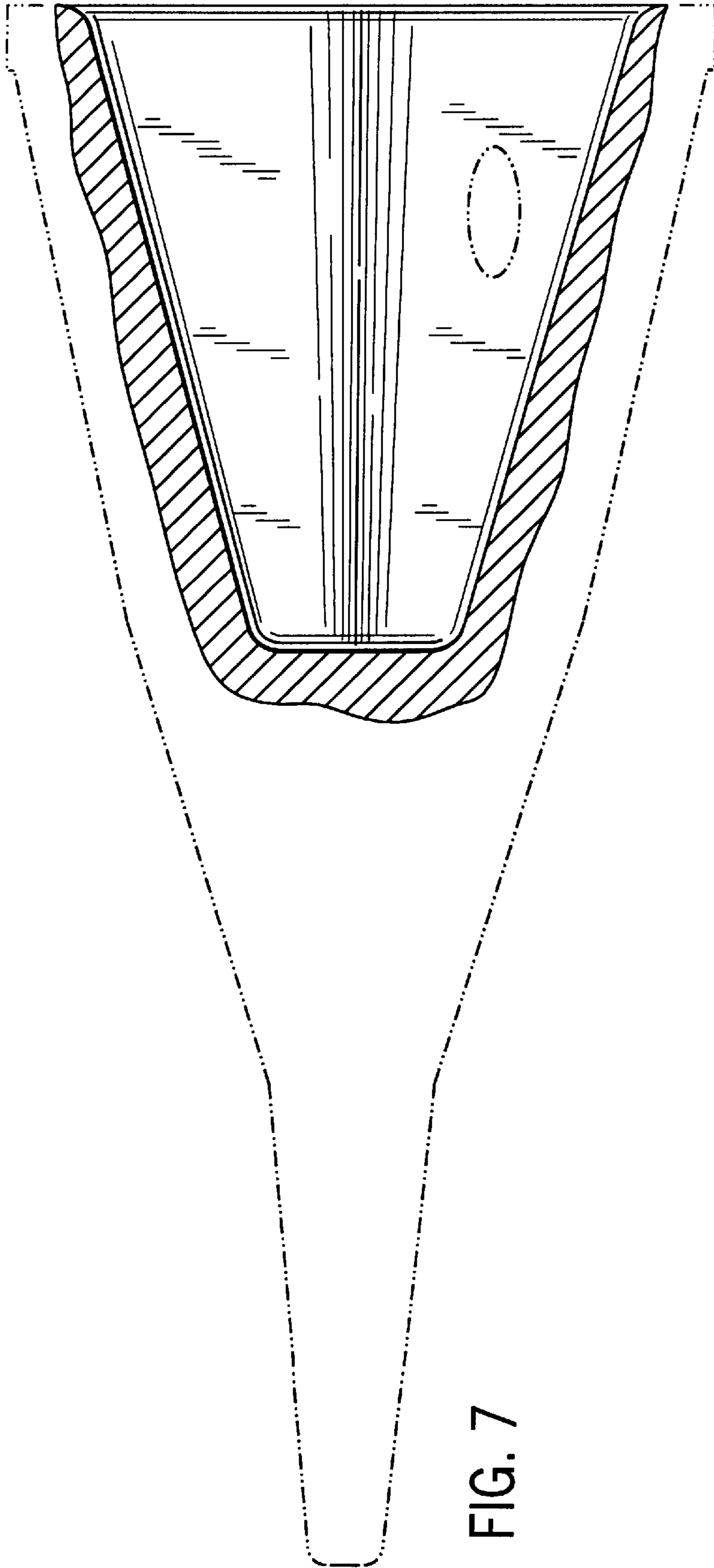


FIG. 7

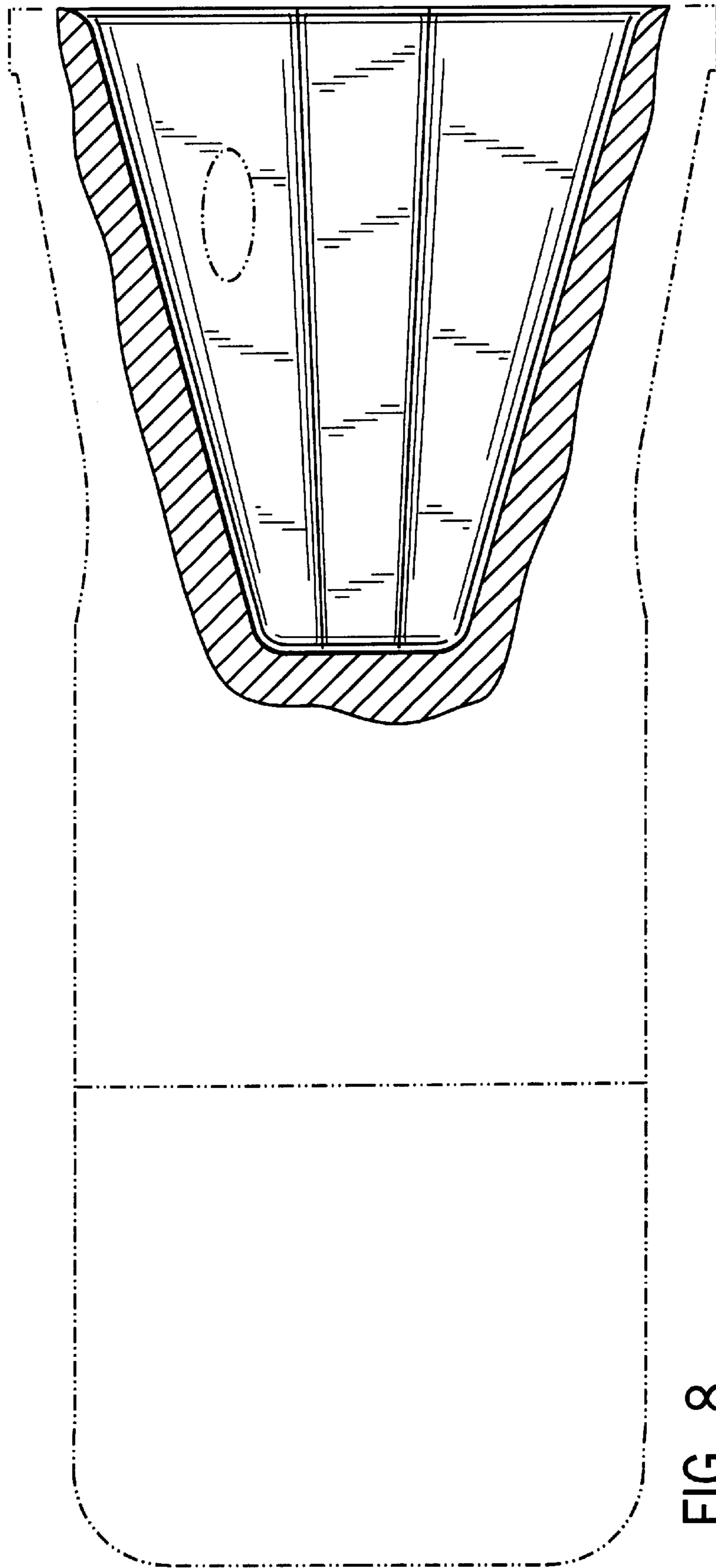
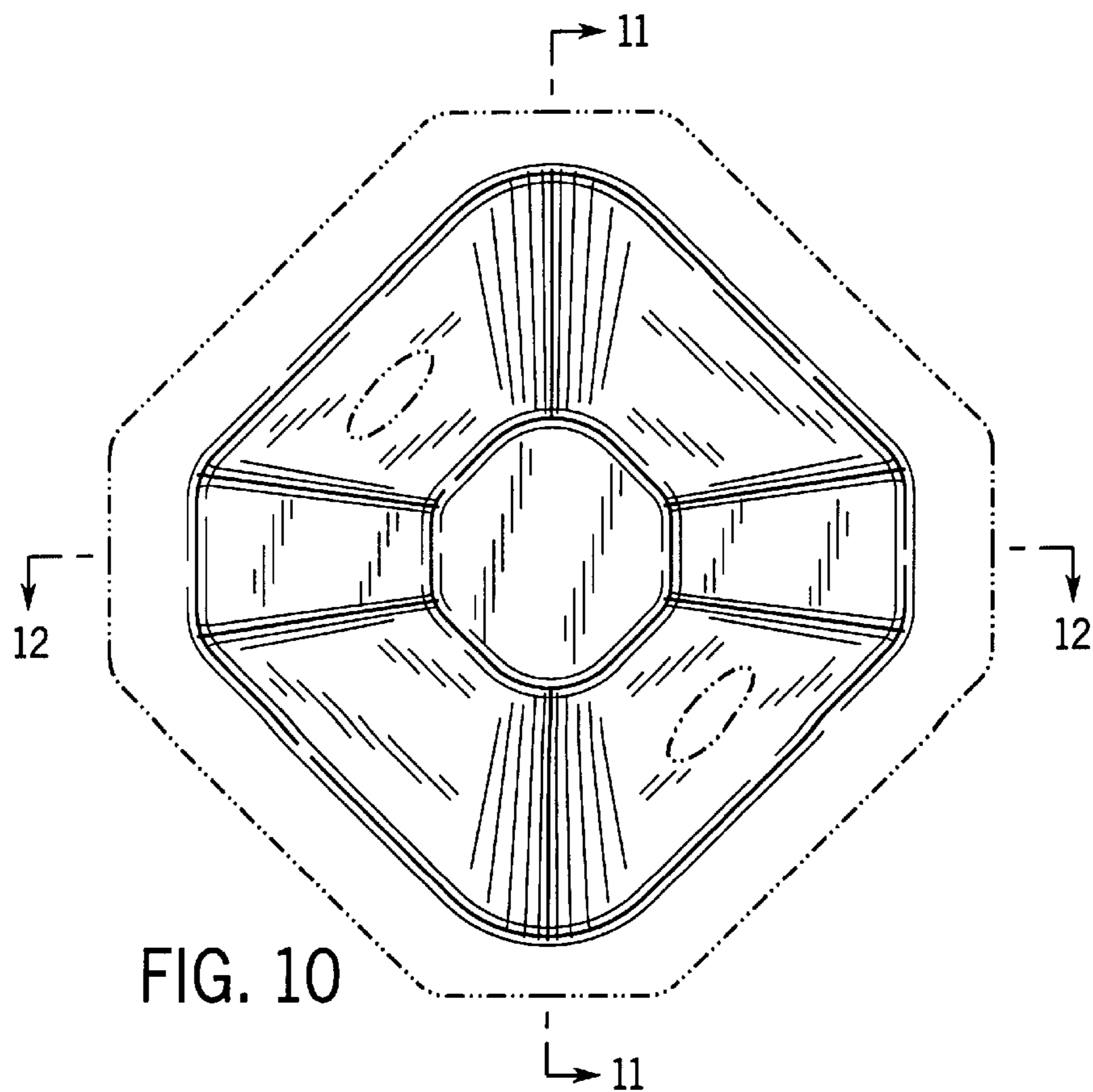
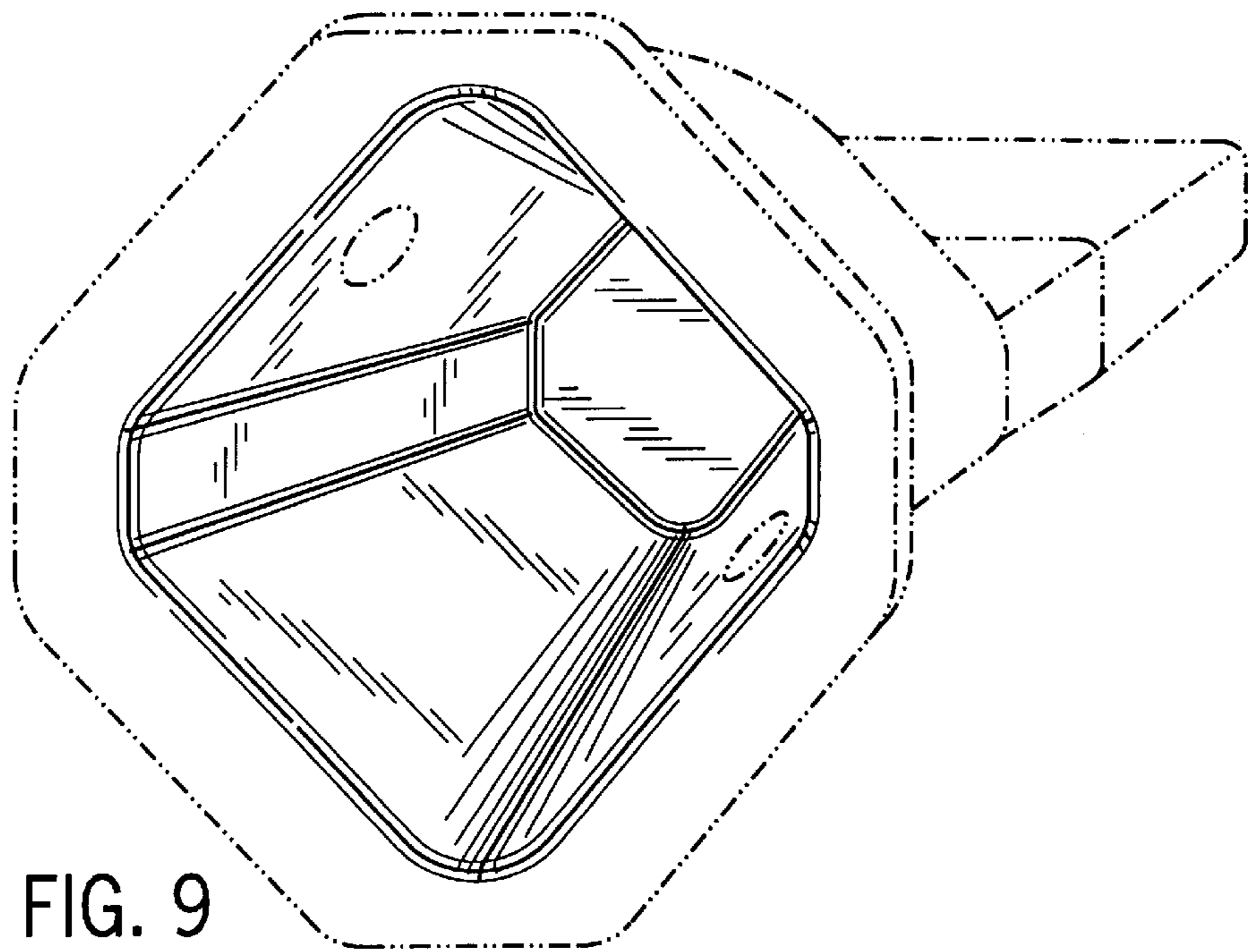


FIG. 8



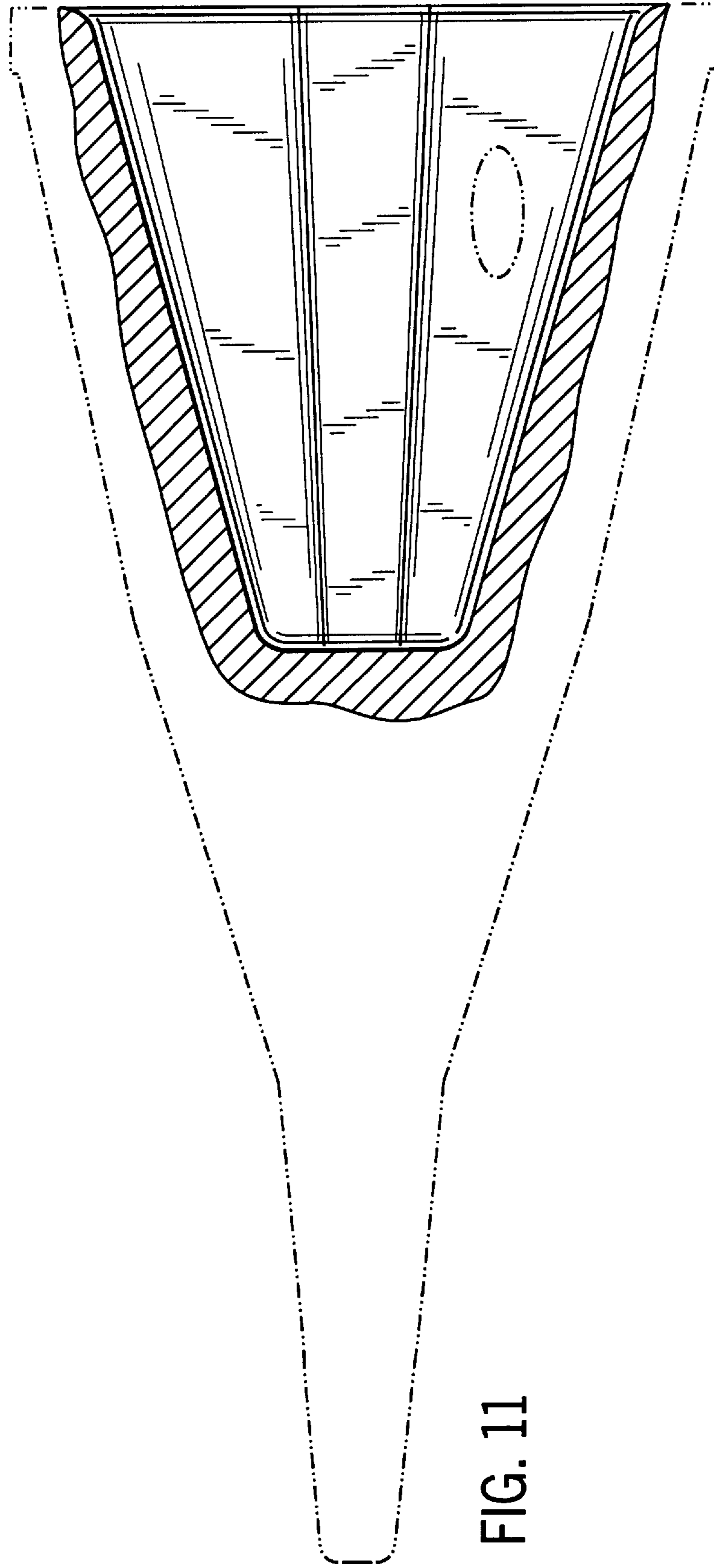


FIG. 11

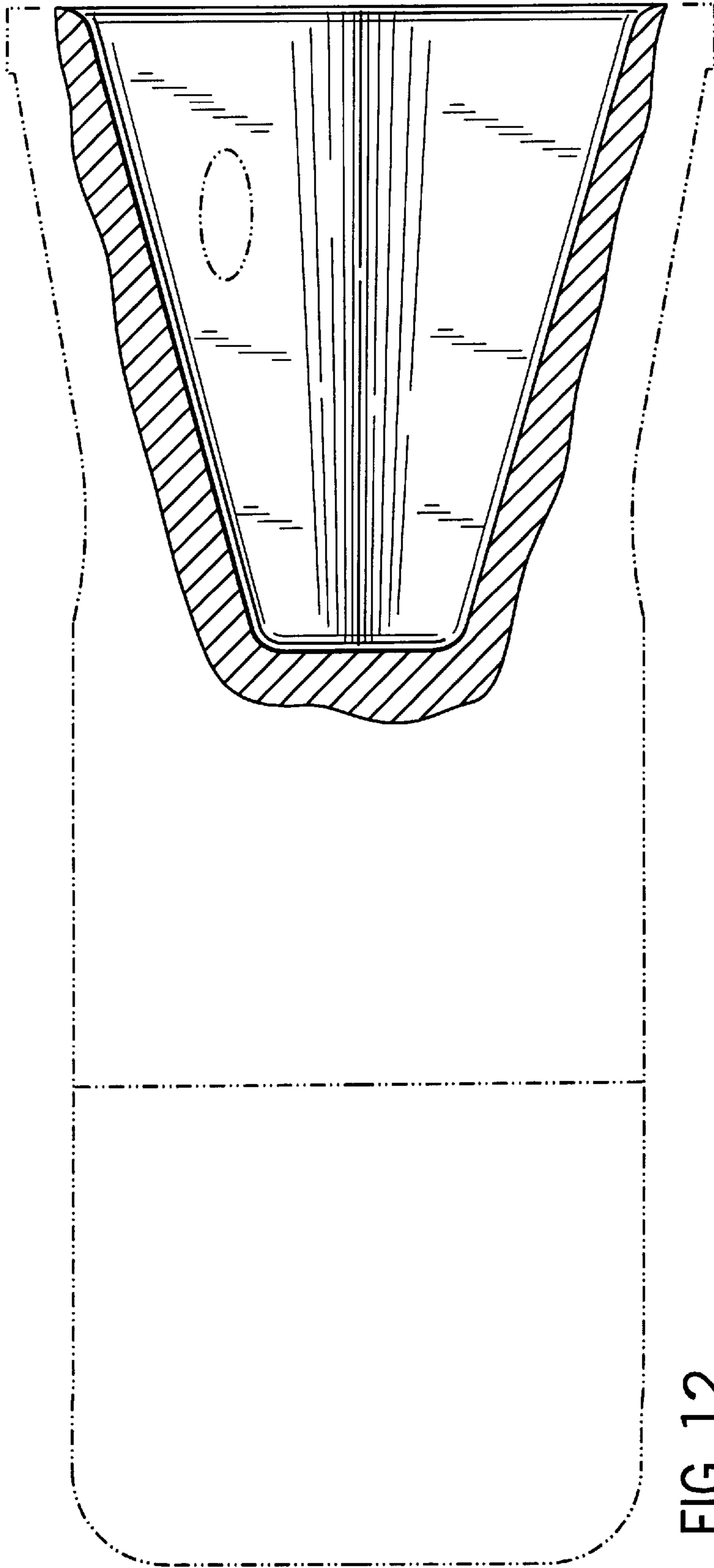


FIG. 12