



US00D435566S

# United States Patent [19] Anderson

[11] Patent Number: Des. 435,566

[45] Date of Patent: \*\* Dec. 26, 2000

[54] SEED BOOT

[76] Inventor: Kevin M. Anderson, RR2 Box 9,  
Andover, S. Dak. 57422

[\*\*] Term: 14 Years

[21] Appl. No.: 29/096,567

[22] Filed: Nov. 16, 1998

[51] LOC (7) Cl. .... 15-03

[52] U.S. Cl. .... D15/28

[58] Field of Search ..... D15/10, 27-29;  
111/85, 86, 150, 197; 172/699, 713, 771

[56] **References Cited**

U.S. PATENT DOCUMENTS

3,122,111	2/1964	Taylor, Sr. .	
4,373,455	2/1983	Friggstad .....	111/150
4,446,801	5/1984	Machnee et al. ....	111/152
5,025,736	6/1991	Anderson .....	111/152

5,092,255	3/1992	Long et al. ....	111/167
5,425,318	6/1995	Keeton .....	111/197
5,640,915	6/1997	Schaffert .....	111/150
5,983,813	11/1999	Swab et al. ....	111/150

Primary Examiner—Sandra L. Morris

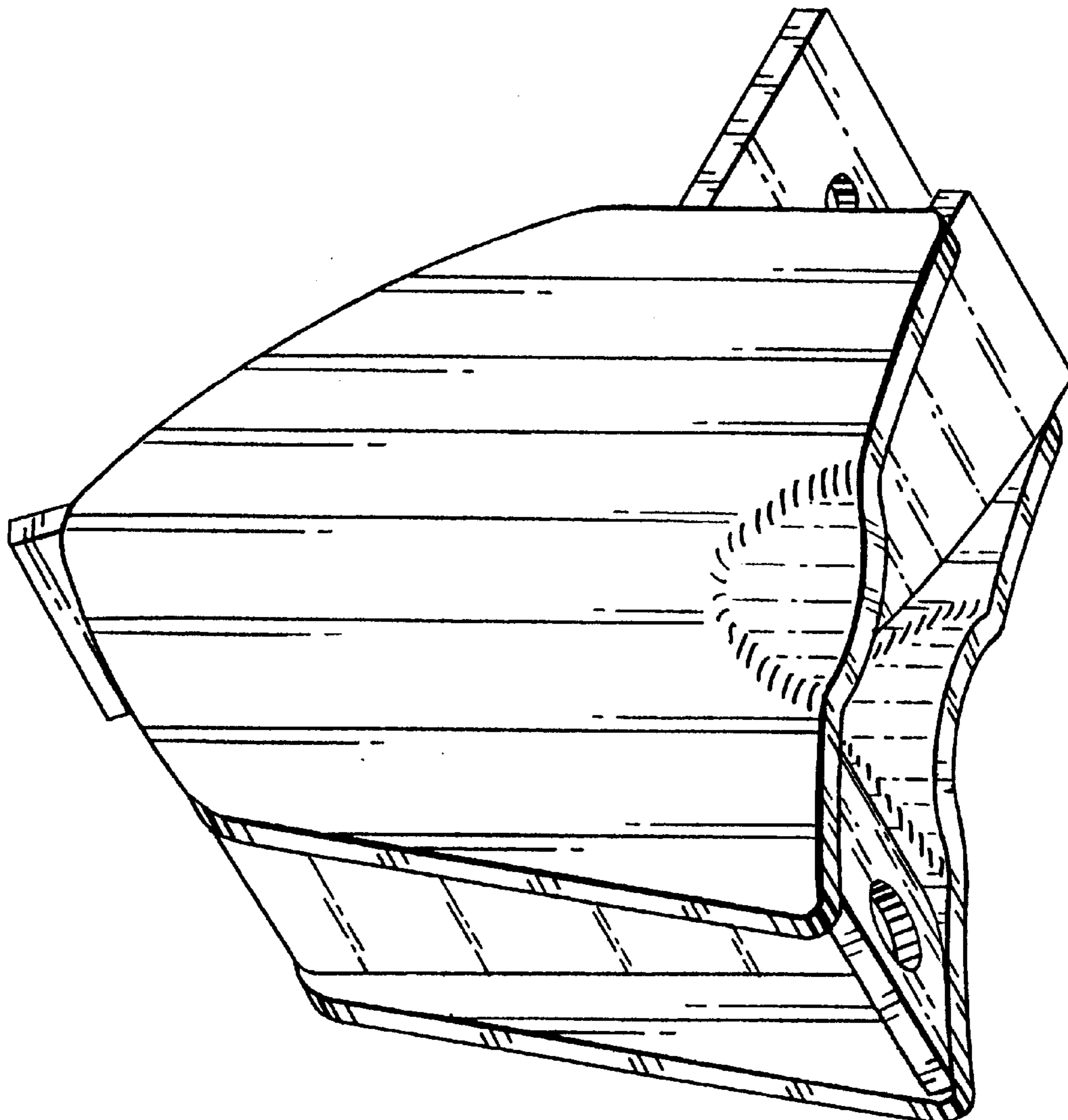
[57] **CLAIM**

The ornamental design for seed boot, as shown and described.

**DESCRIPTION**

FIG. 1 is a perspective view of the seed boot showing my new design;  
FIG. 2 is a side elevational view thereof, the opposite side is a mirror image thereof;  
FIG. 3 is a bottom plan view thereof;  
FIG. 4 is a top plan view thereof;  
FIG. 5 is a rear elevational view thereof; and,  
FIG. 6 is a front elevational view thereof.

1 Claim, 3 Drawing Sheets



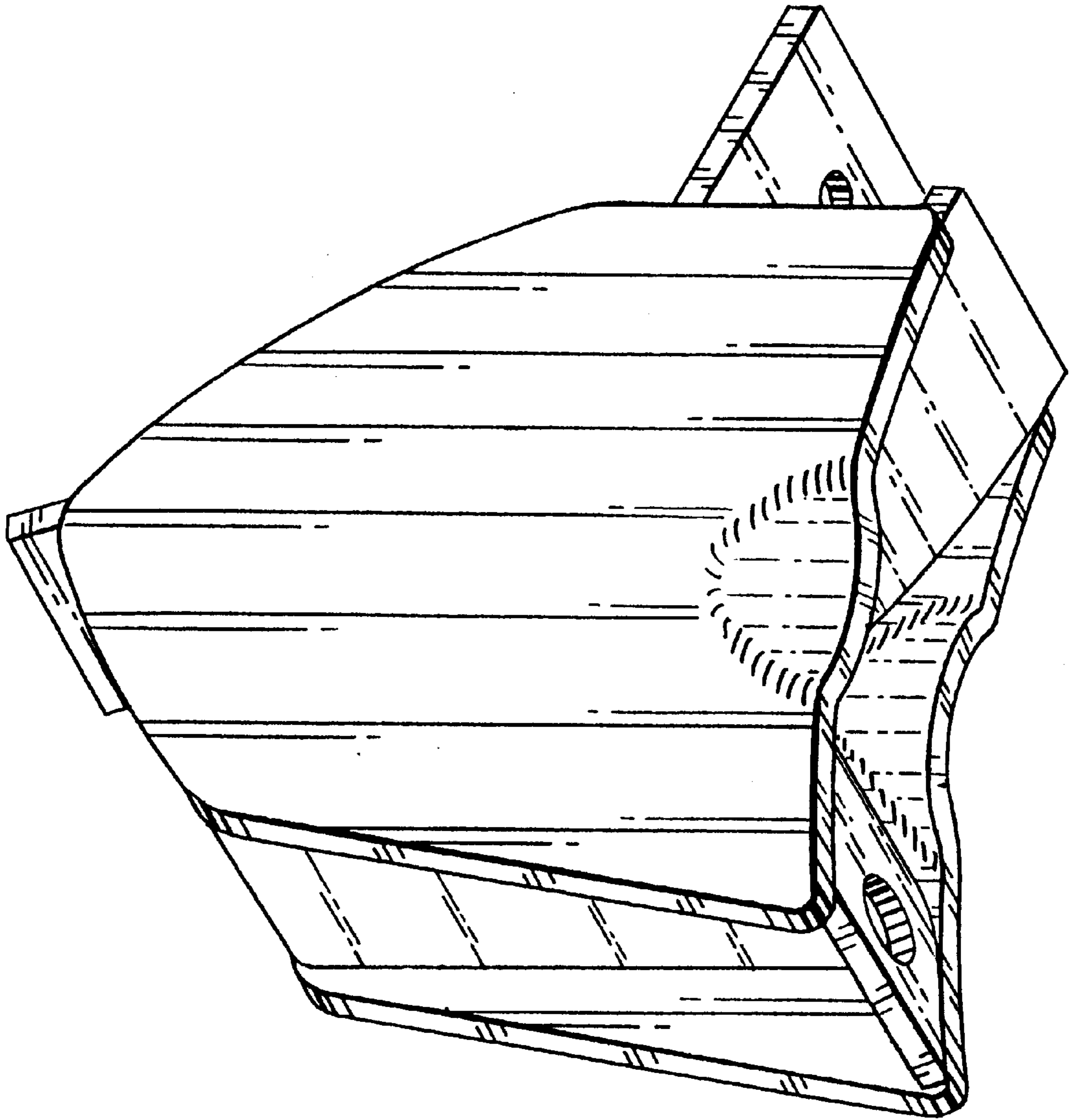
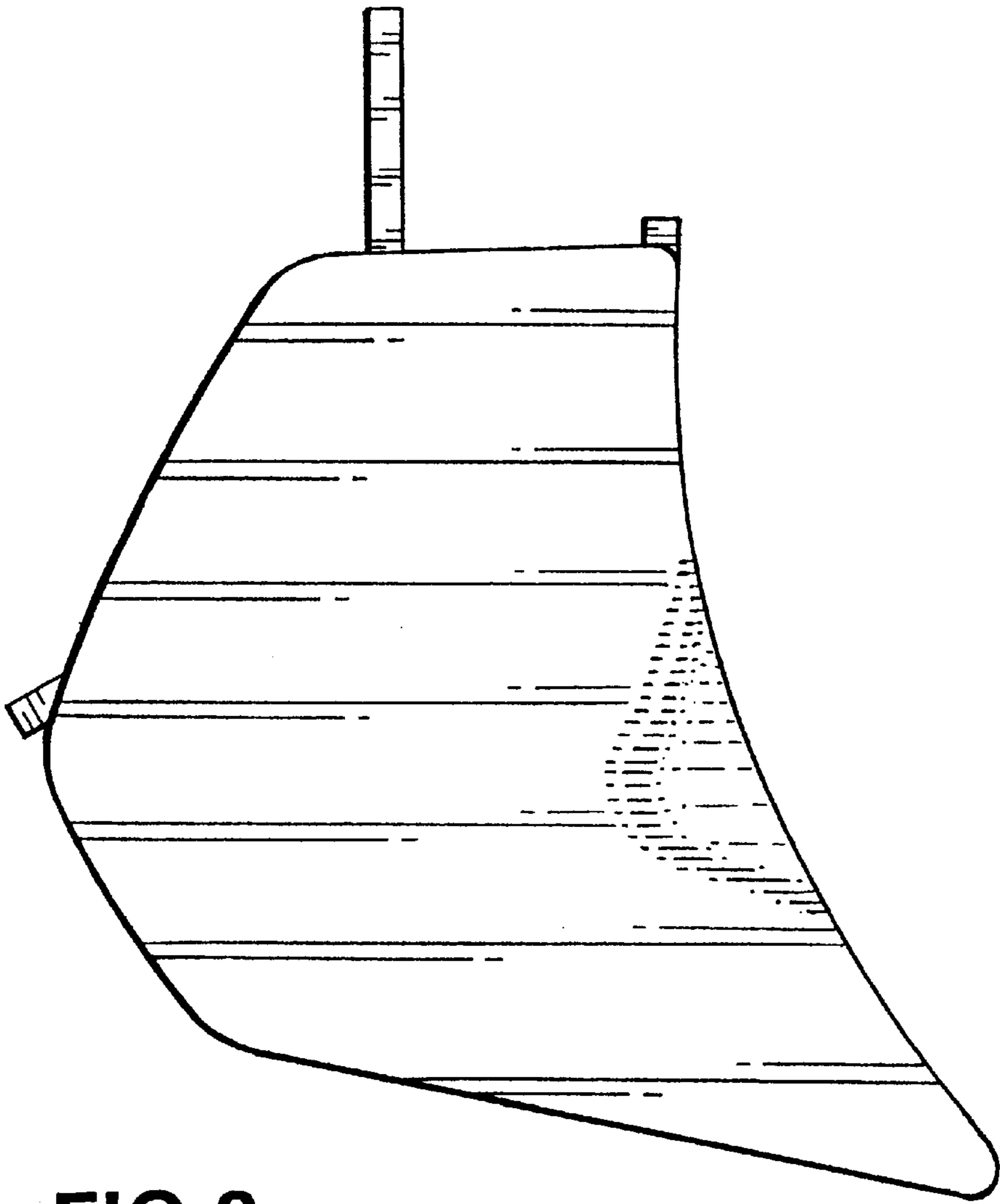
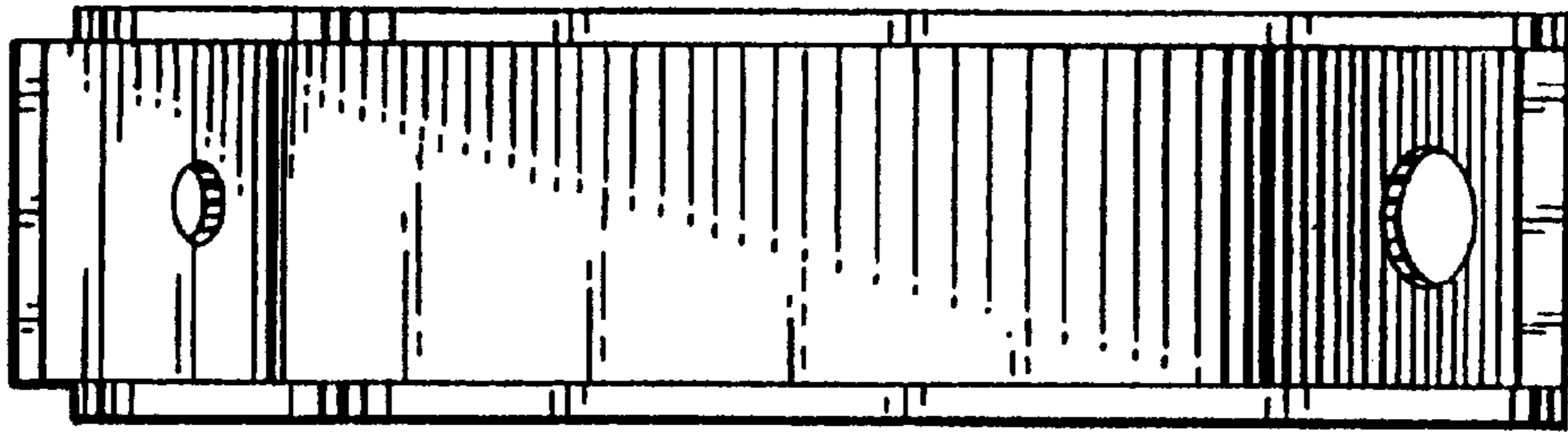


FIG.1



**FIG. 2**



**FIG. 3**

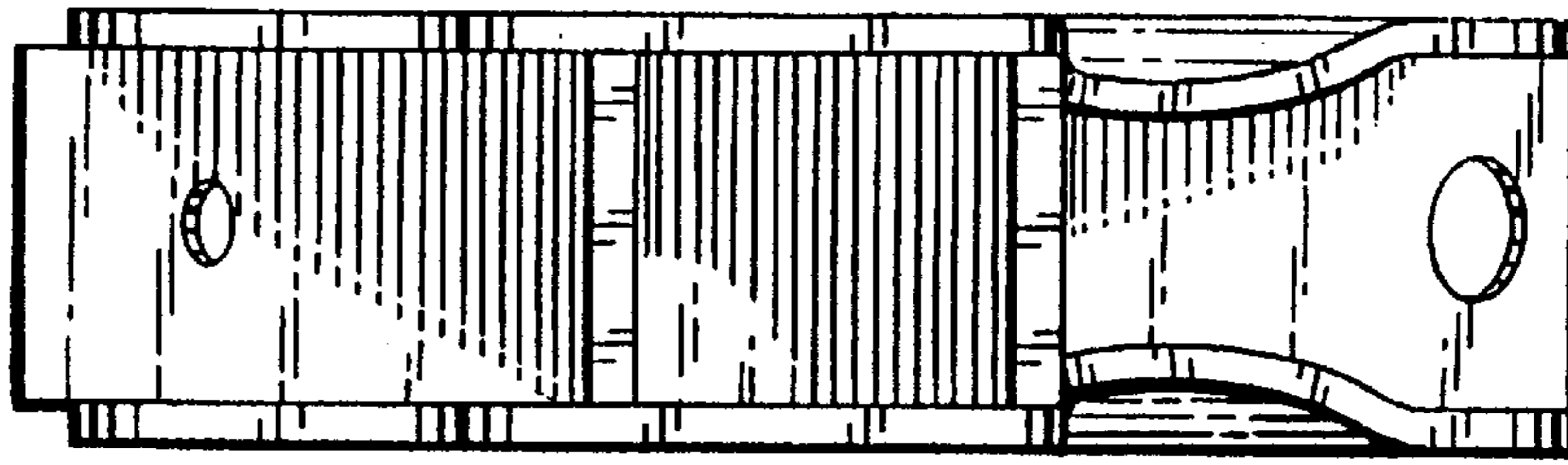


FIG. 4

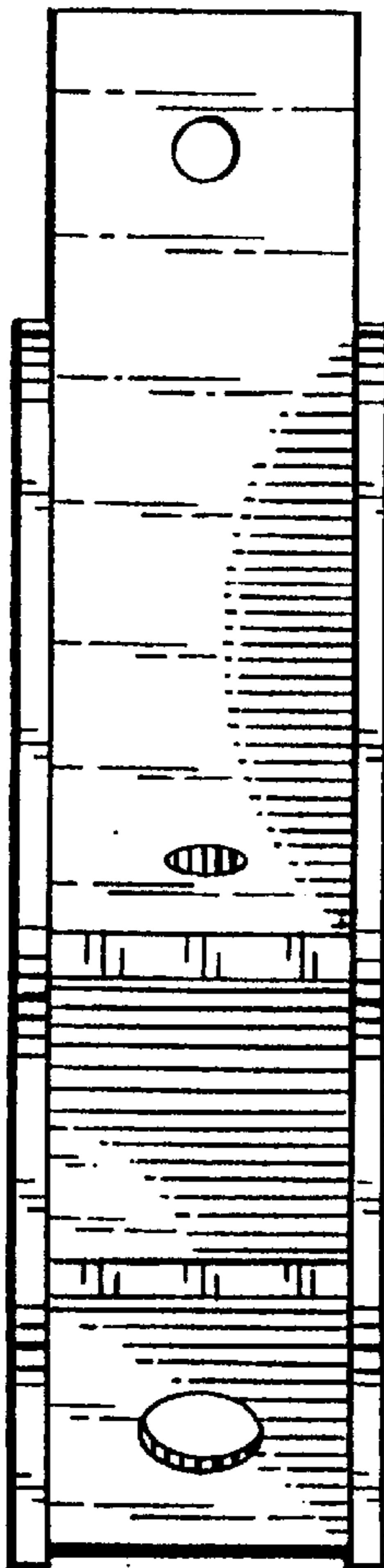


FIG. 5

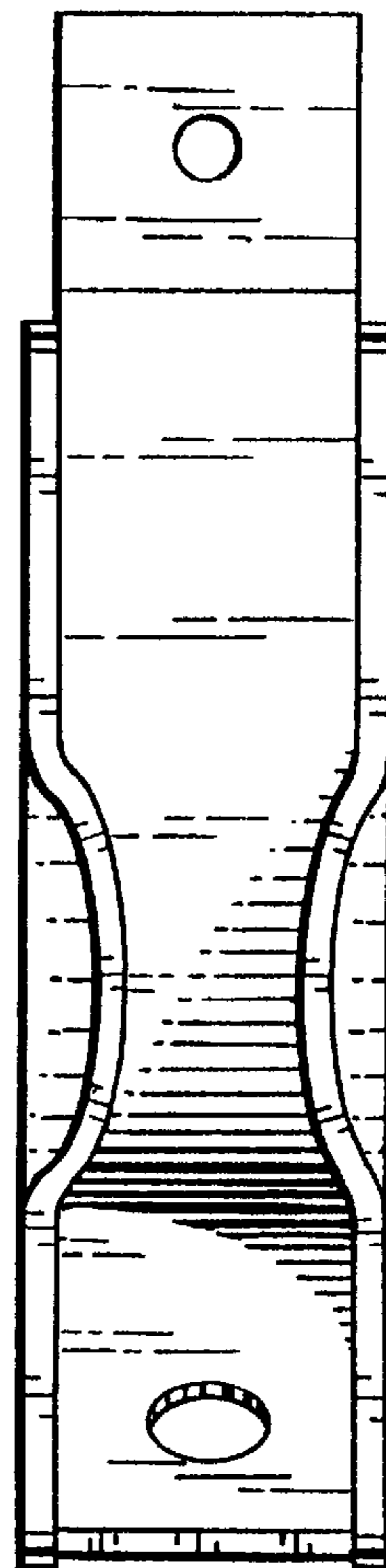


FIG. 6