



US00D435561S

United States Patent [19]

Pettigrew et al.

[11] **Patent Number: Des. 435,561**

[45] **Date of Patent: ** Dec. 26, 2000**

[54] **REPLAY BAR ICON FOR A DISPLAY**

[75] Inventors: **David Pettigrew**, Menlo Park; **Jeffrey Ma**, Fremont, both of Calif.

[73] Assignee: **TiVo, Inc.**, Alviso, Calif.

[**] Term: **14 Years**

[21] Appl. No.: **29/116,855**

[22] Filed: **Jan. 11, 2000**

[51] **LOC (7) Cl.** **14-02**

[52] **U.S. Cl.** **D14/487**

[58] **Field of Search** D14/485-95; D18/24-33;
D20/11; D21/324-33; D19/6; 345/326,
339-58

[56] **References Cited**

U.S. PATENT DOCUMENTS

D. 406,123 2/1999 Hodgson .

D. 416,241 11/1999 Faris et al. .

D. 422,982 4/2000 Hodgson .

D. 424,040 5/2000 Hodgson .

D. 424,543 5/2000 Hodgson .

D. 425,497 5/2000 Eisenberg et al. .

D. 426,290 6/2000 Hodgson .

Primary Examiner—M. H. Tung
Attorney, Agent, or Firm—Michael A. Glenn

[57] **CLAIM**

The ornamental design for a replay bar icon for a display, as shown and described.

DESCRIPTION

FIG. 1 is a plan view of a replay bar icon for a display according to a first embodiment of the invention; and, FIG. 2 is a plan view of a replay bar icon for a display according to a second embodiment of the invention.

1 Claim, 2 Drawing Sheets

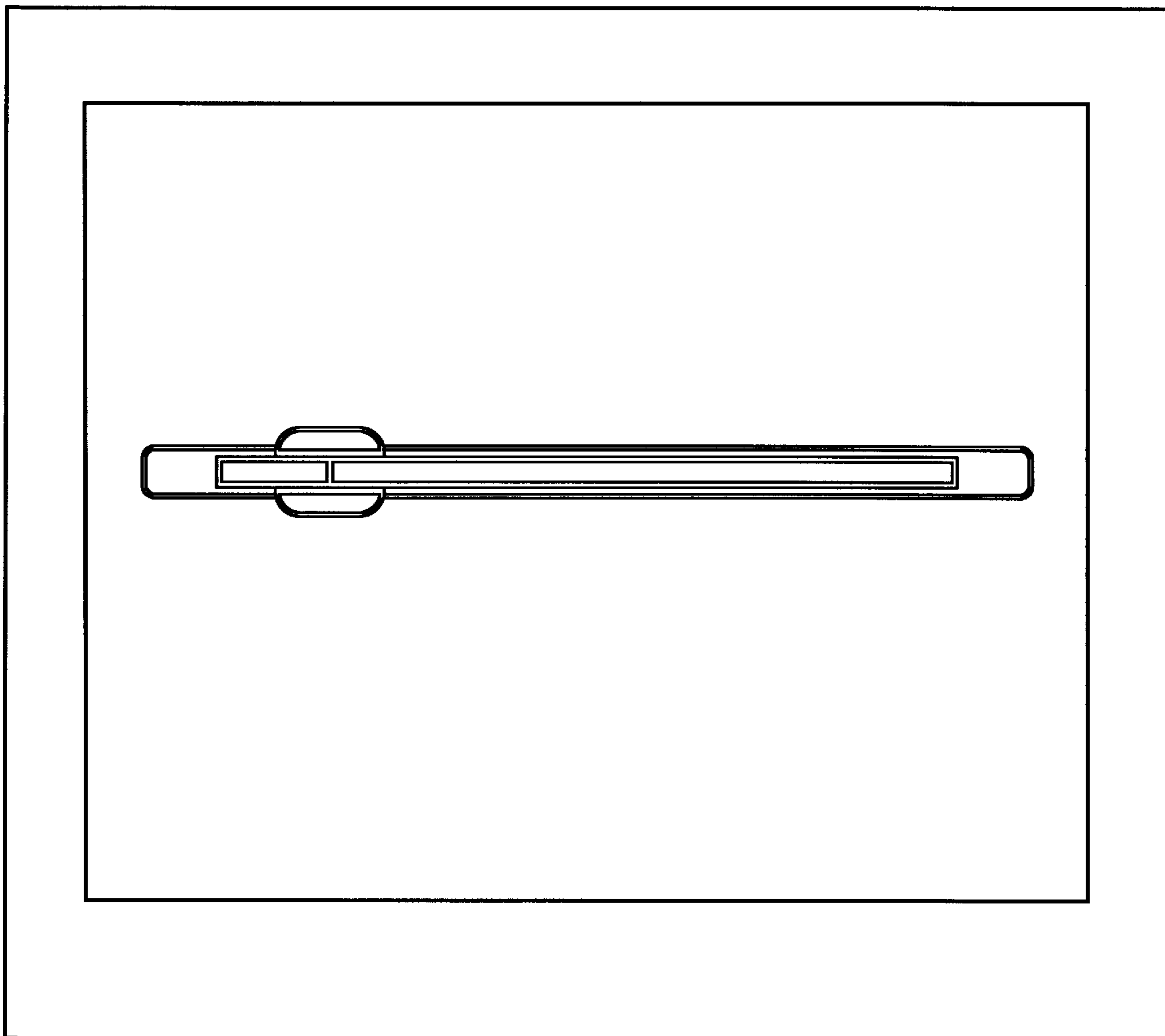


FIG. 1

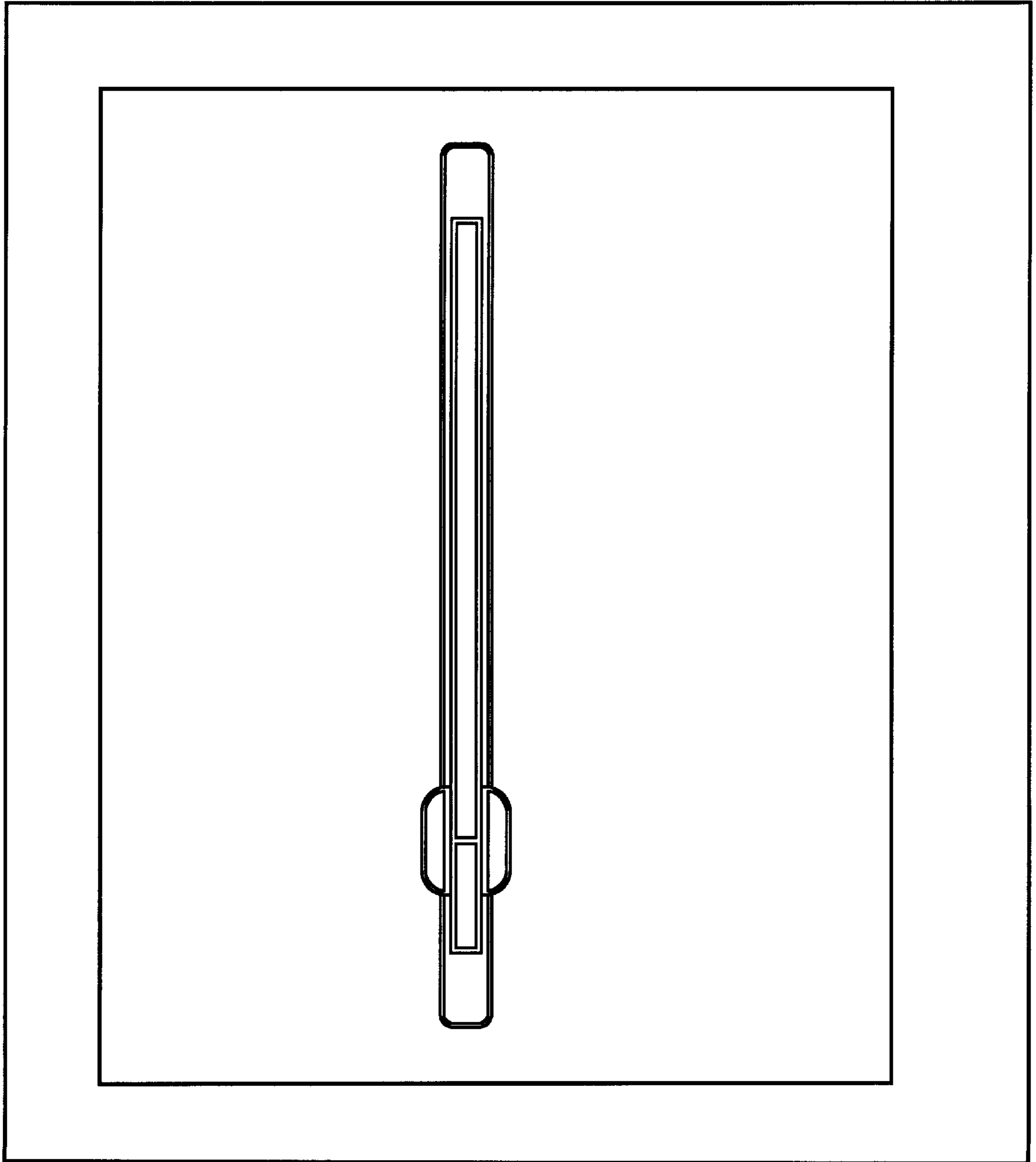


FIG. 2

