



US00D435559S

United States Patent [19] Tanaka

[11] **Patent Number: Des. 435,559**

[45] **Date of Patent: ** Dec. 26, 2000**

[54] **PORTION OF AN OPERATION
CONTROLLER FOR ELECTRONIC
COMPUTERS**

[75] Inventor: **Keita Tanaka**, Tokyo, Japan

[73] Assignee: **Kabushiki Kaisha Toshiba**, Kawasaki,
Japan

[**] Term: **14 Years**

[21] Appl. No.: **29/116,509**

[22] Filed: **Jan. 6, 2000**

[30] **Foreign Application Priority Data**

Jul. 6, 1999 [JP] Japan 11-17889

[51] **LOC (7) Cl.** **14-02**

[52] **U.S. Cl.** **D14/444**

[58] **Field of Search** D14/441-446,
D14/257, 258; D13/162, 184, 199, 164,
177; D10/103; 312/223.2; 361/724-728

[56] **References Cited**

U.S. PATENT DOCUMENTS

- D. 337,576 7/1993 Sharp D14/446
- D. 340,040 10/1993 Gifford et al. .
- D. 360,623 7/1995 Ando .
- D. 369,792 5/1996 Paterson et al. D14/444
- D. 396,460 8/1998 Su D14/444

FOREIGN PATENT DOCUMENTS

- M91 09 097 5/1992 Germany .
- 830458 2/1992 Japan .
- 905735 8/1994 Japan .

OTHER PUBLICATIONS

PC Magazine, vol. 14, No. 14, p. 445, Aug. 1995.
Falcon Microsystems Multiplatform Hardware, Software
and Networking Solutions, vol. 4, No. 1, p. 19, Spring 1994.

Primary Examiner—Freda Nunn
Attorney, Agent, or Firm—Banner & Witcoff, Ltd.

[57] **CLAIM**

The ornamental design for a portion of an operation controller for electronic computers, as shown and described.

DESCRIPTION

FIG. 1 is a top, front and right side perspective view of a portion of an operation controller for electronic computers showing my new design;
FIG. 2 is a right side elevational view thereof, the left side elevational view being a mirror image;
FIG. 3 is a front elevational view thereof;
FIG. 4 is a top plan view thereof;
FIG. 5 is a rear elevational view thereof; and,
FIG. 6 is a bottom plan view thereof.

The broken line showing of the remainder of the operation controller for electronic computers is for illustrative purposes only and forms no part of the claimed design.

1 Claim, 2 Drawing Sheets

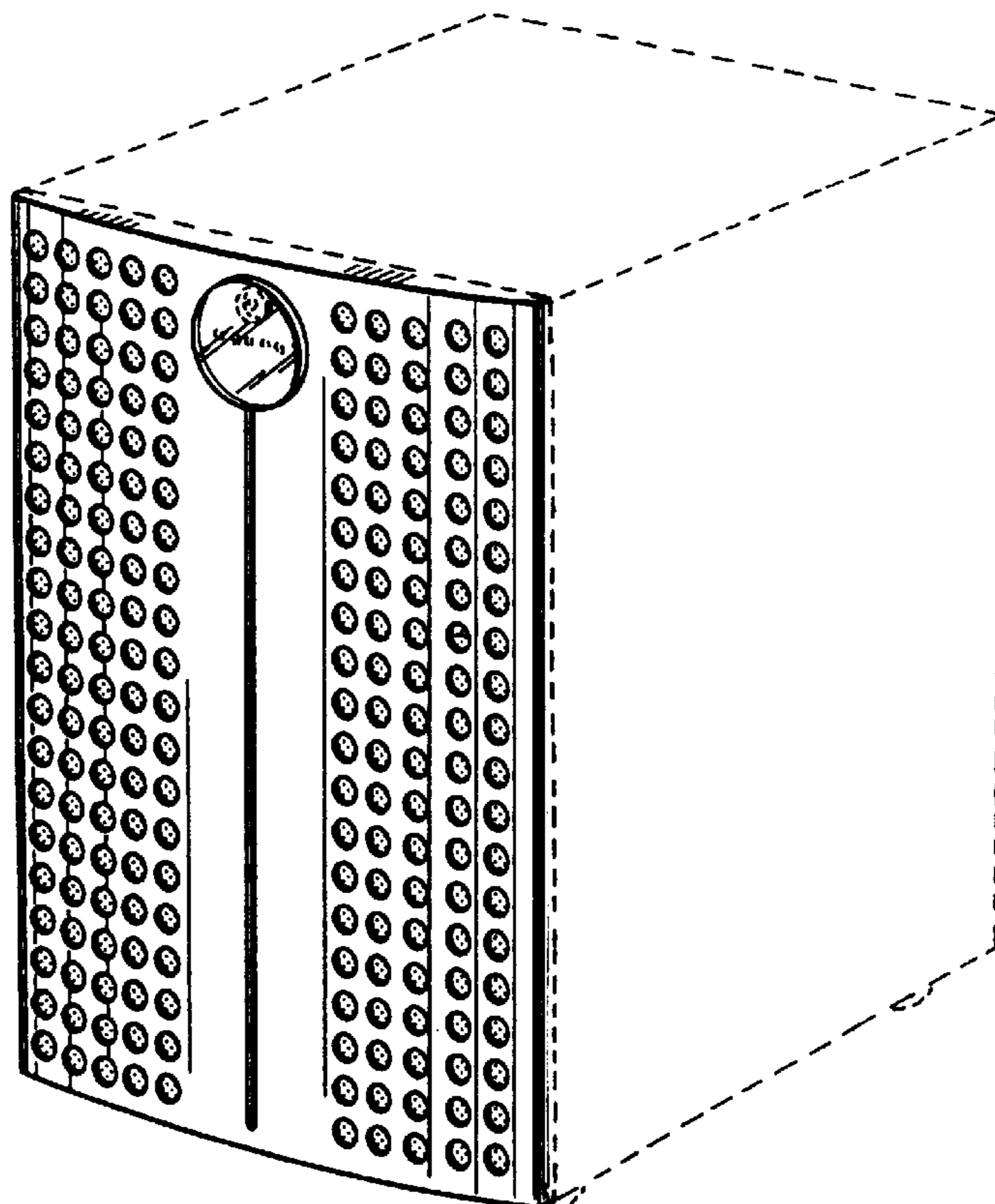


FIG. 1

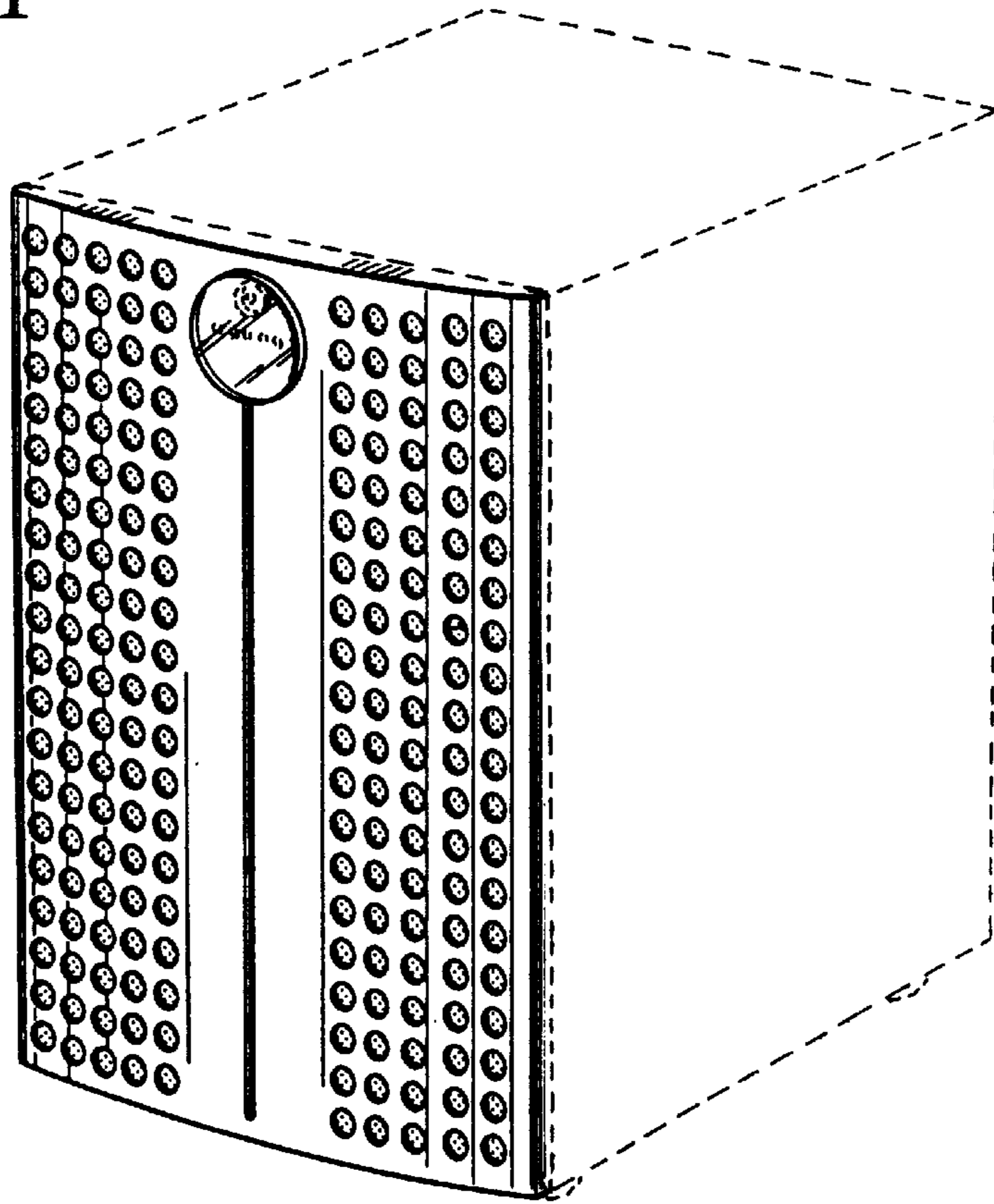


FIG. 2

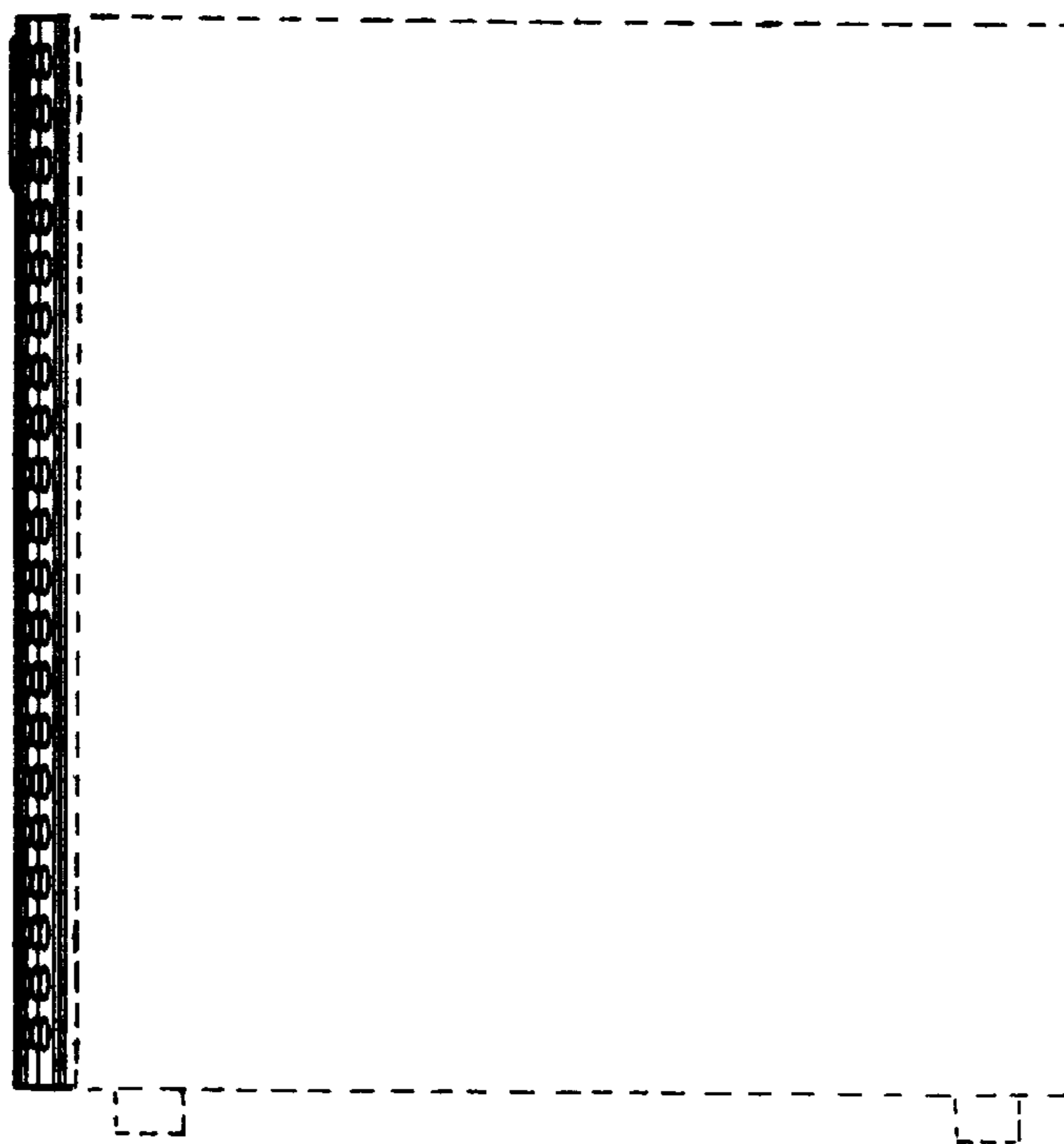


FIG. 3

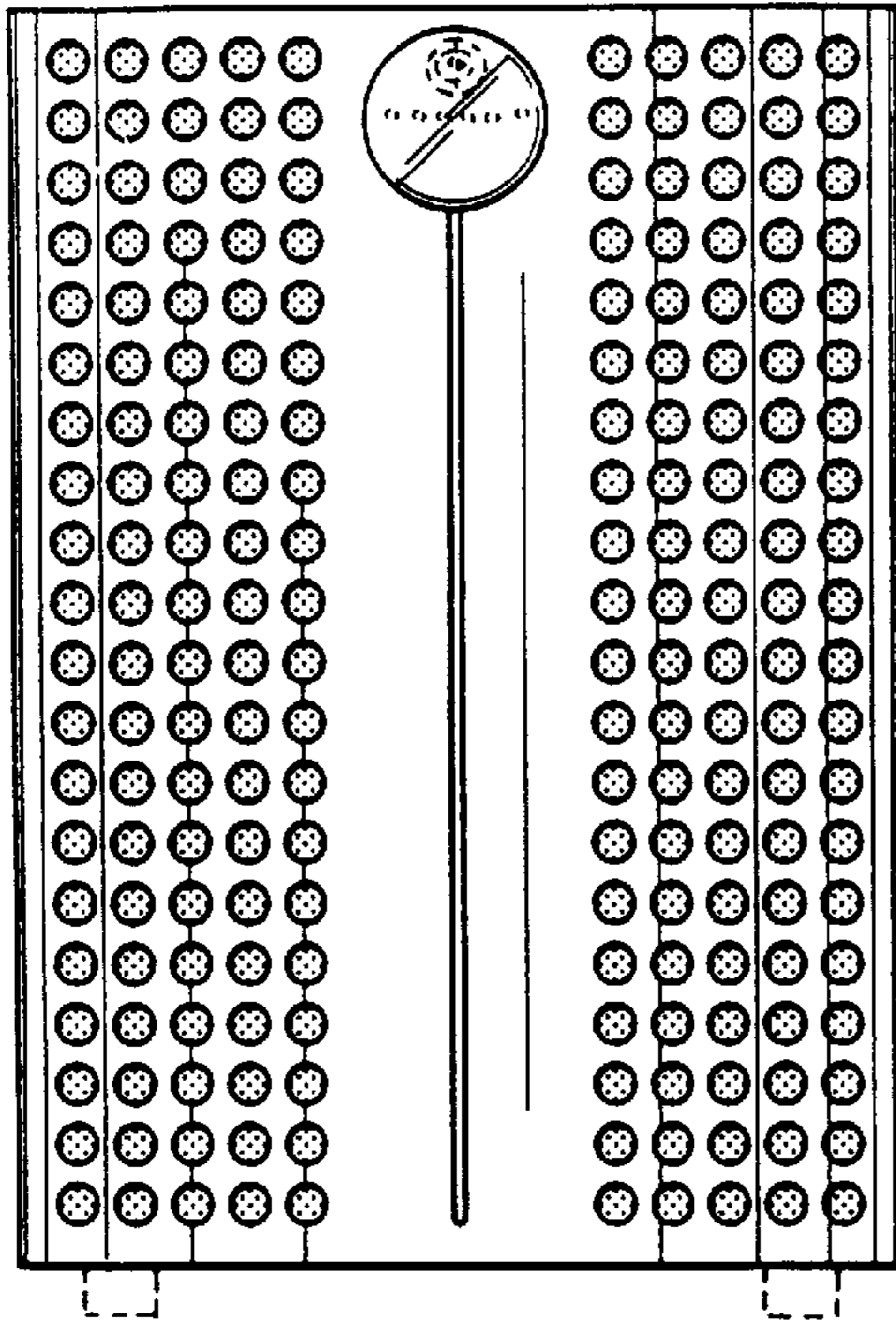


FIG. 4

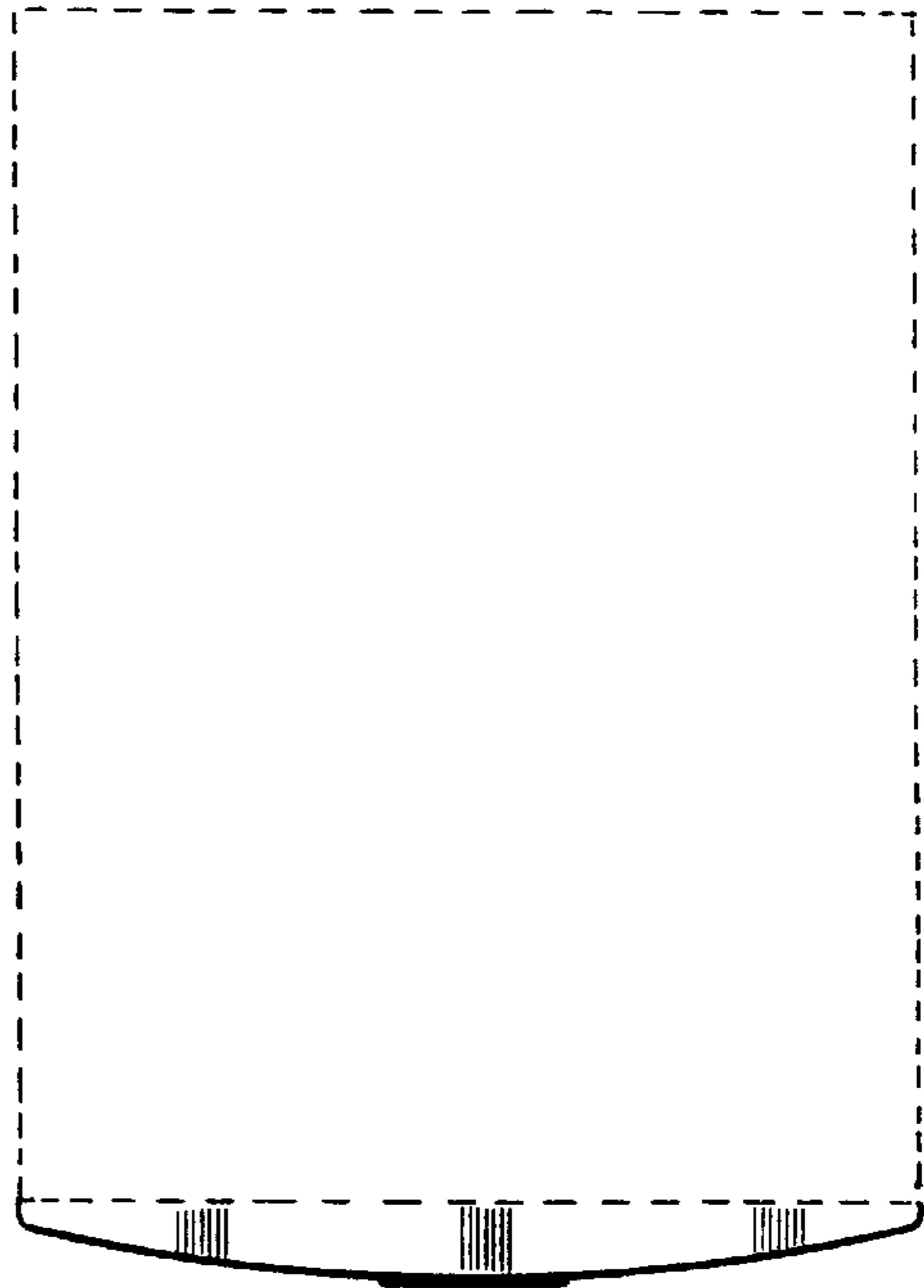


FIG. 5

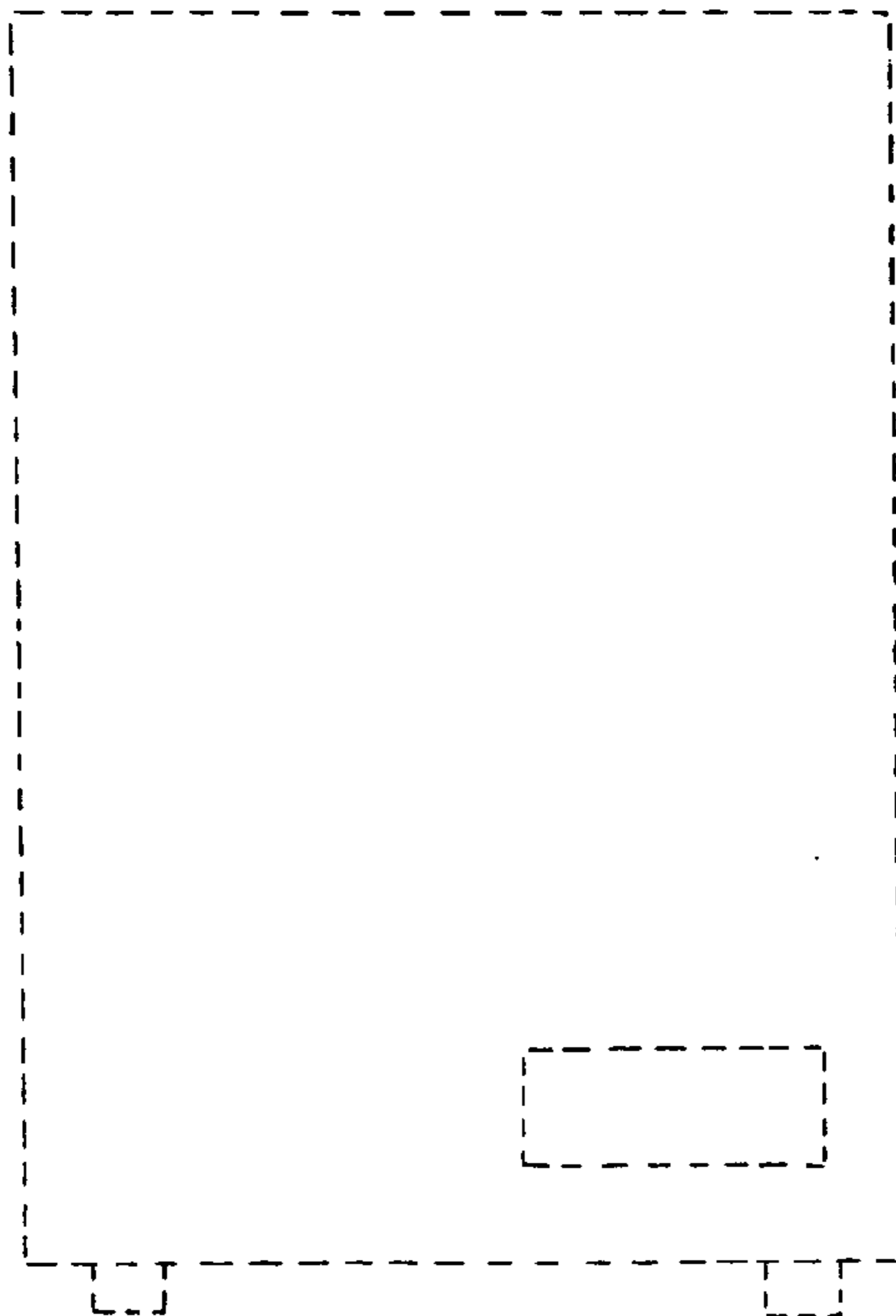


FIG. 6

