



US00D435558S

United States Patent [19]

Tong et al.

[11] Patent Number: Des. 435,558

[45] Date of Patent: ** Dec. 26, 2000

[54] **COMBINED UNIVERSAL SERIAL BUS DOCKING STATION AND MODULE**

6,050,849 4/2000 Chang .

[75] Inventors: **Eric Tong; Brian Lee Van Harlingen**, both of Los Angeles, Calif.

Primary Examiner—M. H. Tung
Attorney, Agent, or Firm—Bryan Cave LLP

[73] Assignee: **Belkin Components**, Compton, Calif.

[57] **CLAIM**

[**] Term: **14 Years**

The ornamental design for a combined universal serial bus docking station and module, as shown and described.

[21] Appl. No.: **29/108,792**

DESCRIPTION

[22] Filed: **Aug. 3, 1999**

[51] **LOC (7) Cl.** **14-02**

[52] **U.S. Cl.** **D14/434**

[58] **Field of Search** D14/356, 358, D14/432-4, 191, 155; 361/679-87, 600, 622, 627-36, 724-25

FIG. 1 is a top, front, left side perspective view of a combined universal serial bus docking station and module, the broken line drawing of three modules are shown for illustrative purposes only and forms no part of the claimed design;

FIG. 2 is a top, front, right side perspective view thereof, on a reduced scale, the broken line drawing of three modules are shown for illustrative purposes only and forms no part of the claimed design;

FIG. 3 is a top, rear, right side perspective view thereof, on a reduced scale, the broken line drawing of three modules are shown for illustrative purposes only and forms no part of the claimed design;

FIG. 4 is a front view thereof;

FIG. 5 is a left side view thereof, the right side is a mirror image;

FIG. 6 is a rear view thereof;

FIG. 7 is a top, front, left perspective view thereof; and,

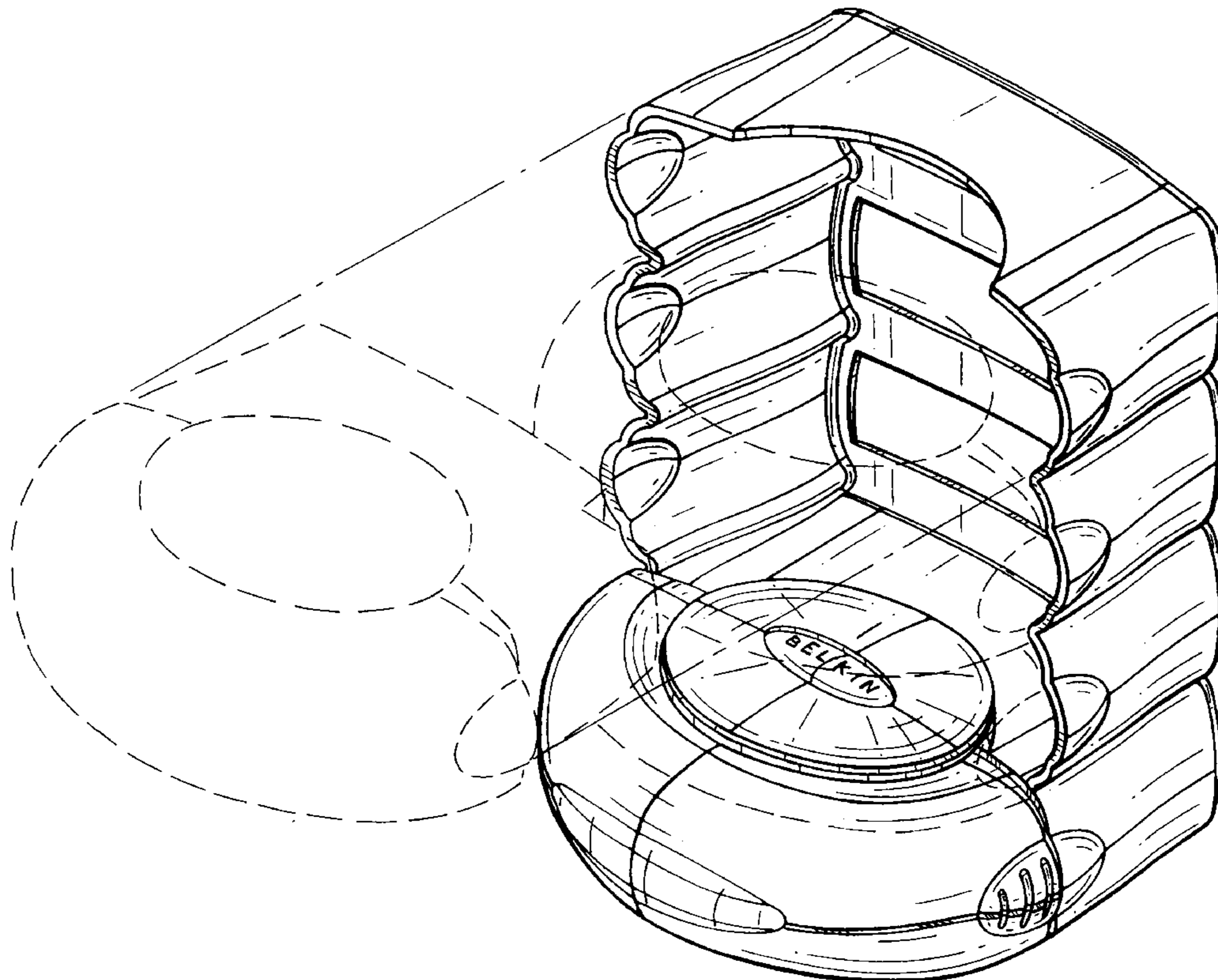
FIG. 8 is a bottom plan view thereof.

[56] **References Cited**

U.S. PATENT DOCUMENTS

- D. 301,713 6/1989 Bolan et al. .
- D. 355,416 2/1995 McCay et al. .
- D. 362,663 9/1995 Nguyen .
- D. 393,451 4/1998 Faranda et al. .
- D. 411,989 7/1999 Grossman et al. .
- D. 412,494 8/1999 Tamaki et al. .
- D. 415,741 10/1999 Lee et al. .
- D. 416,559 11/1999 Hoyt et al. .
- D. 423,010 4/2000 Wicks .
- 5,875,094 2/1999 Kirkendoll .
- 6,047,572 4/2000 Bliven et al. .

1 Claim, 5 Drawing Sheets



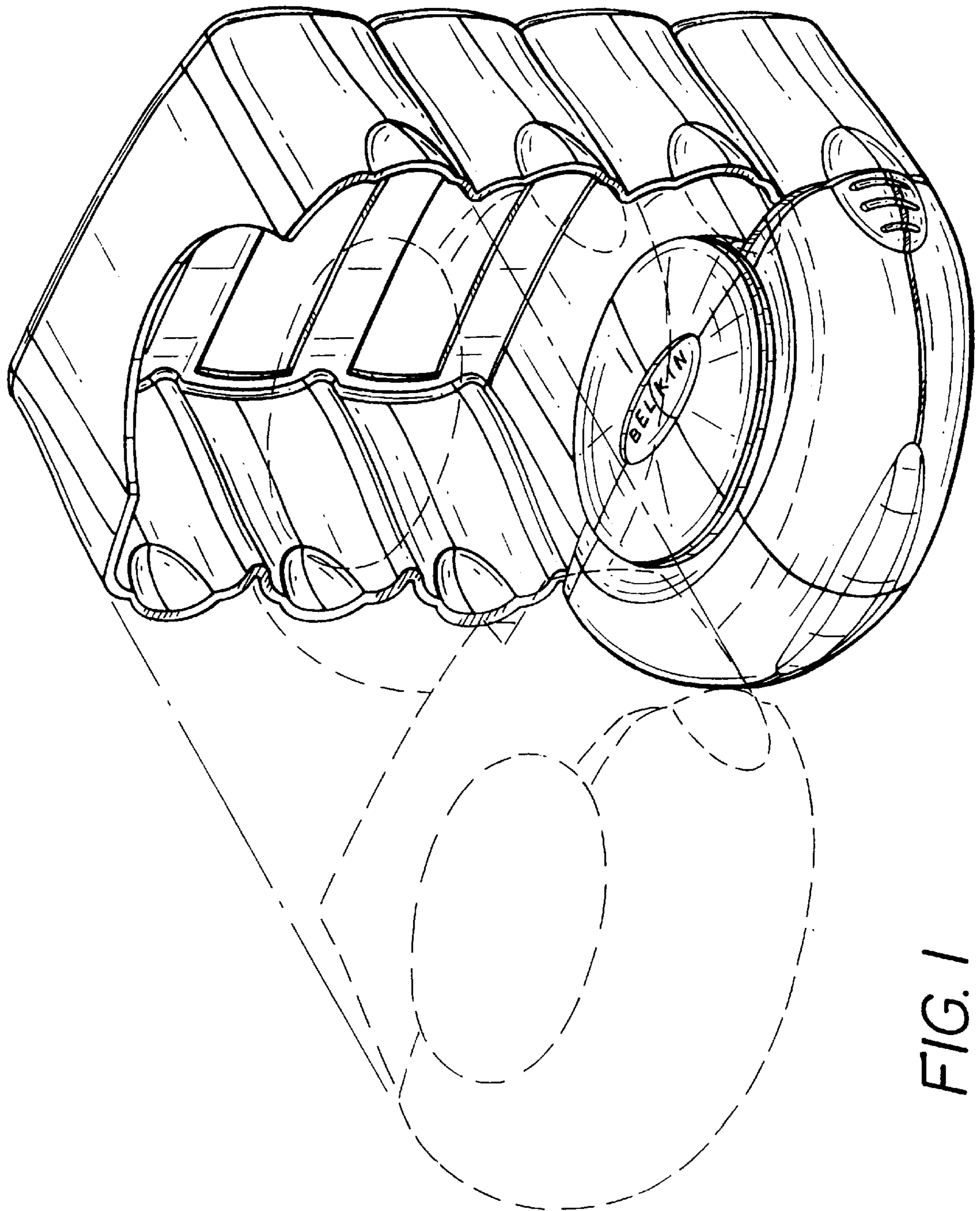


FIG. 1

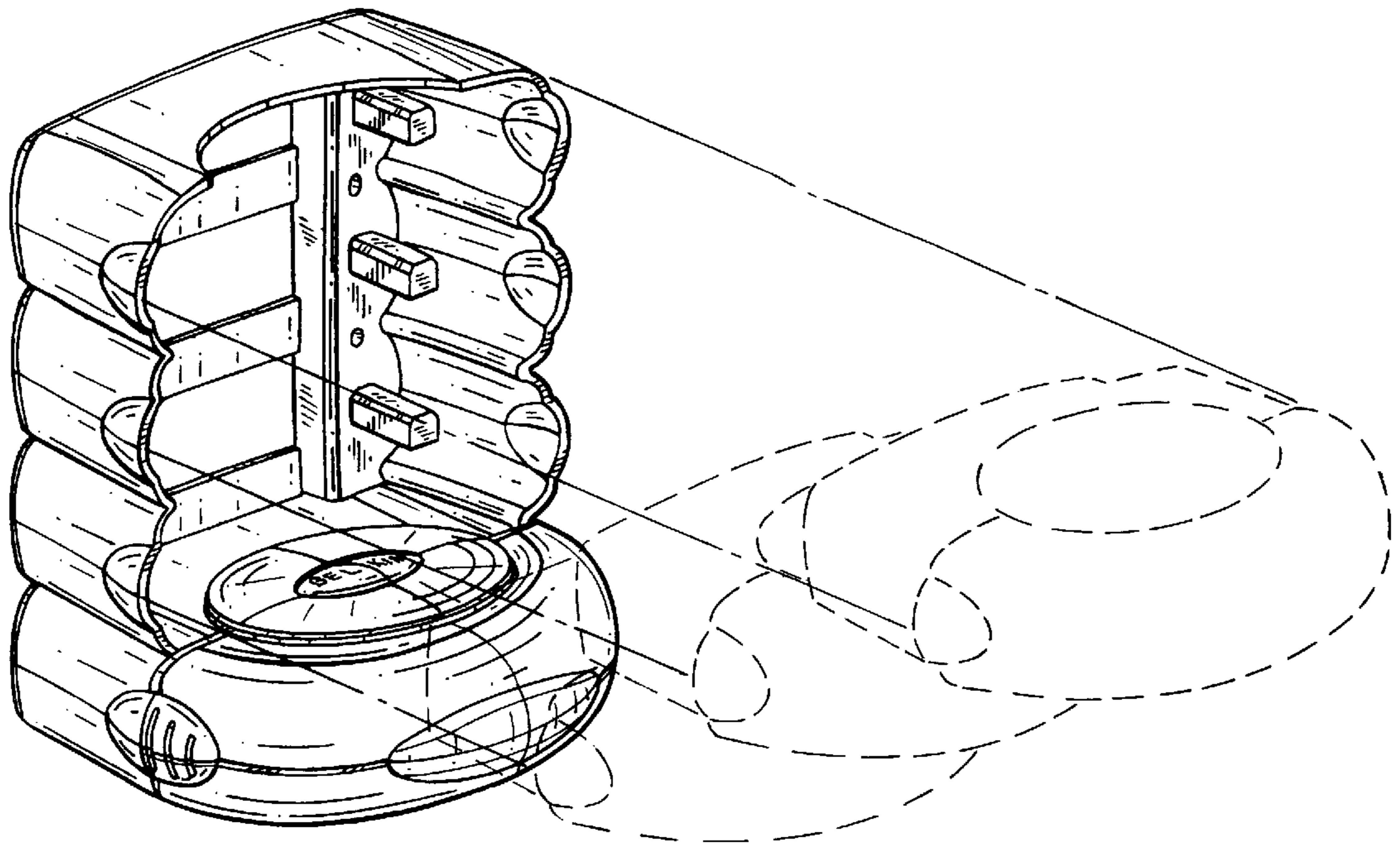


FIG. 2

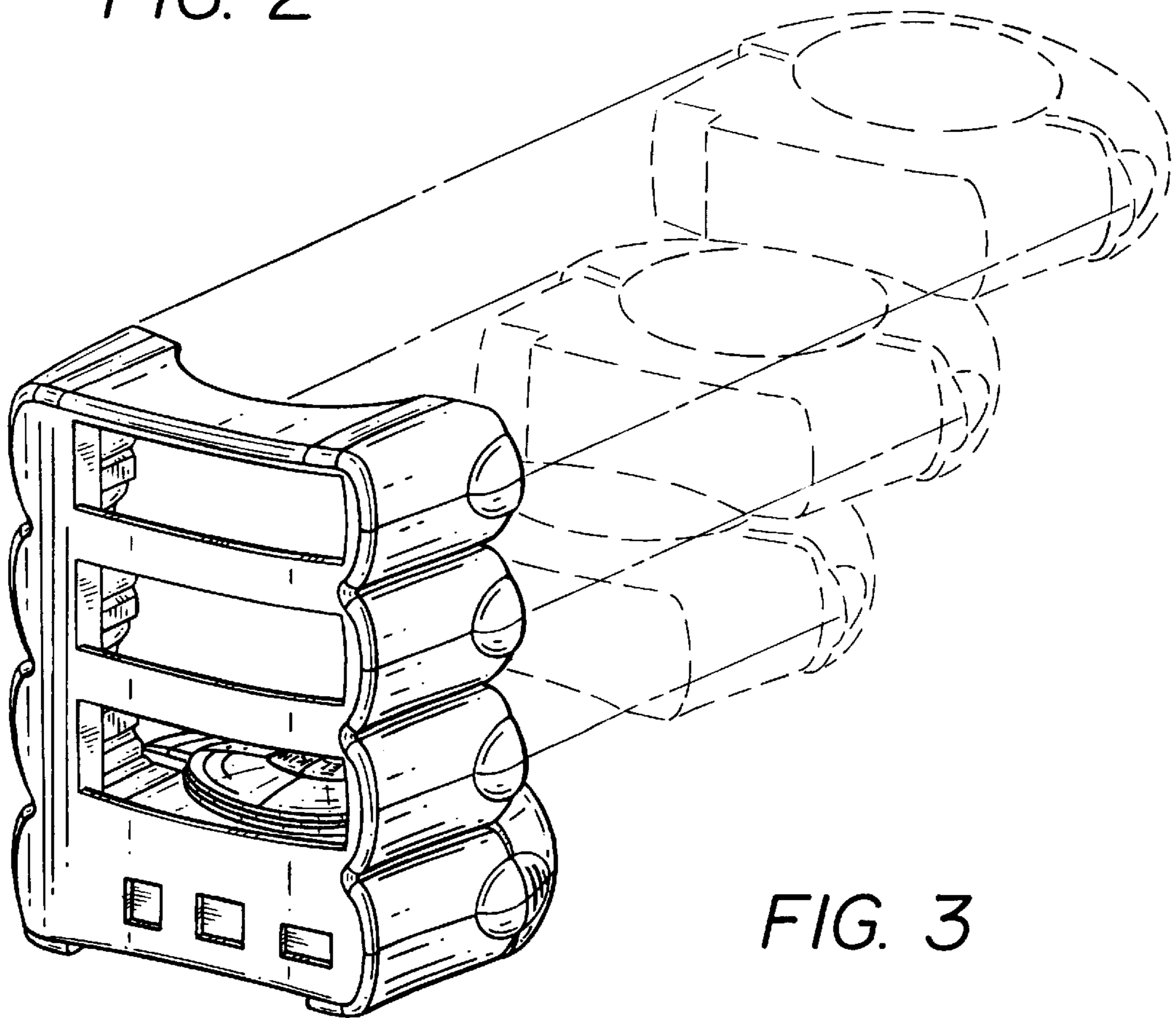


FIG. 3

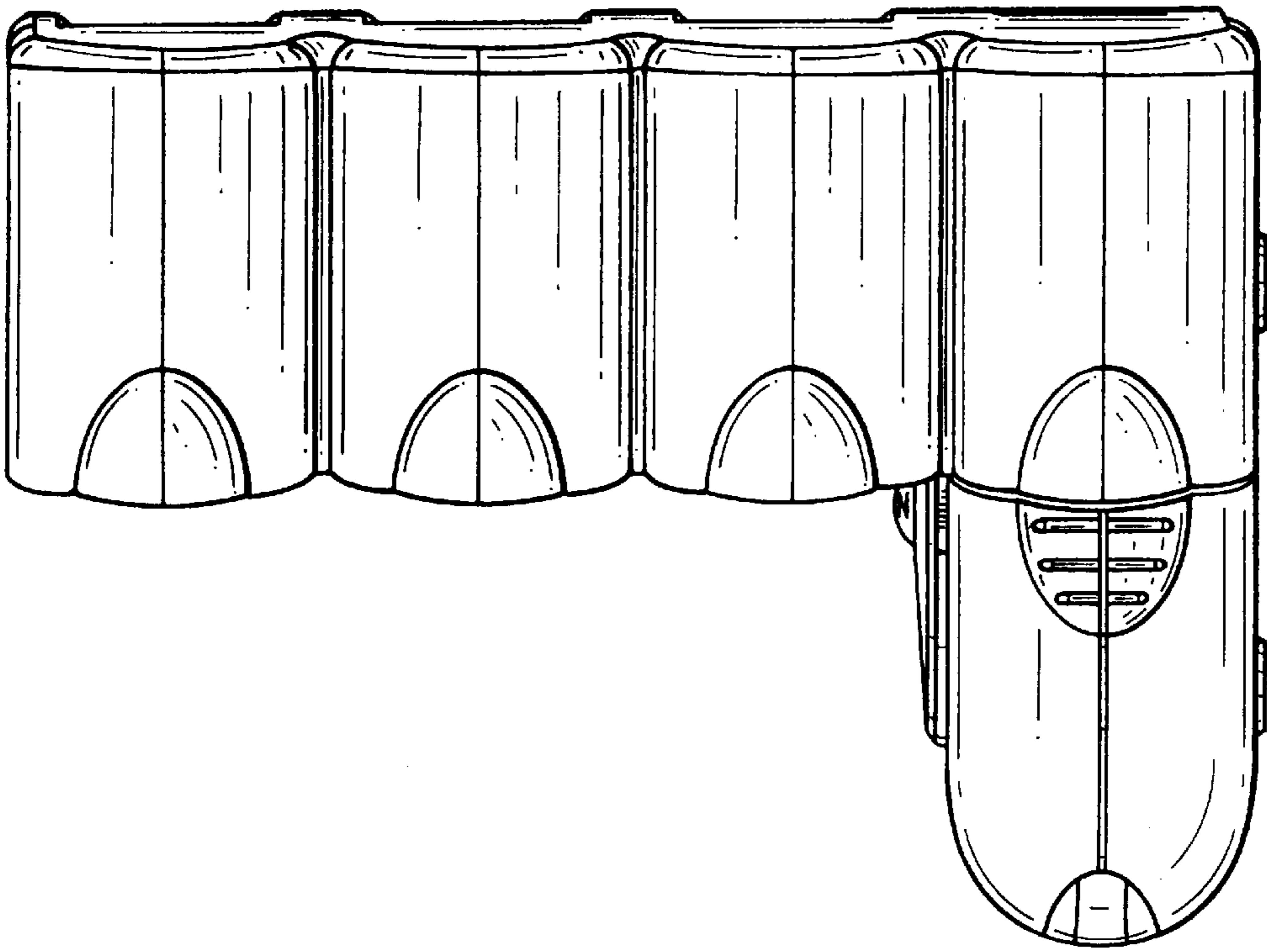


FIG. 5

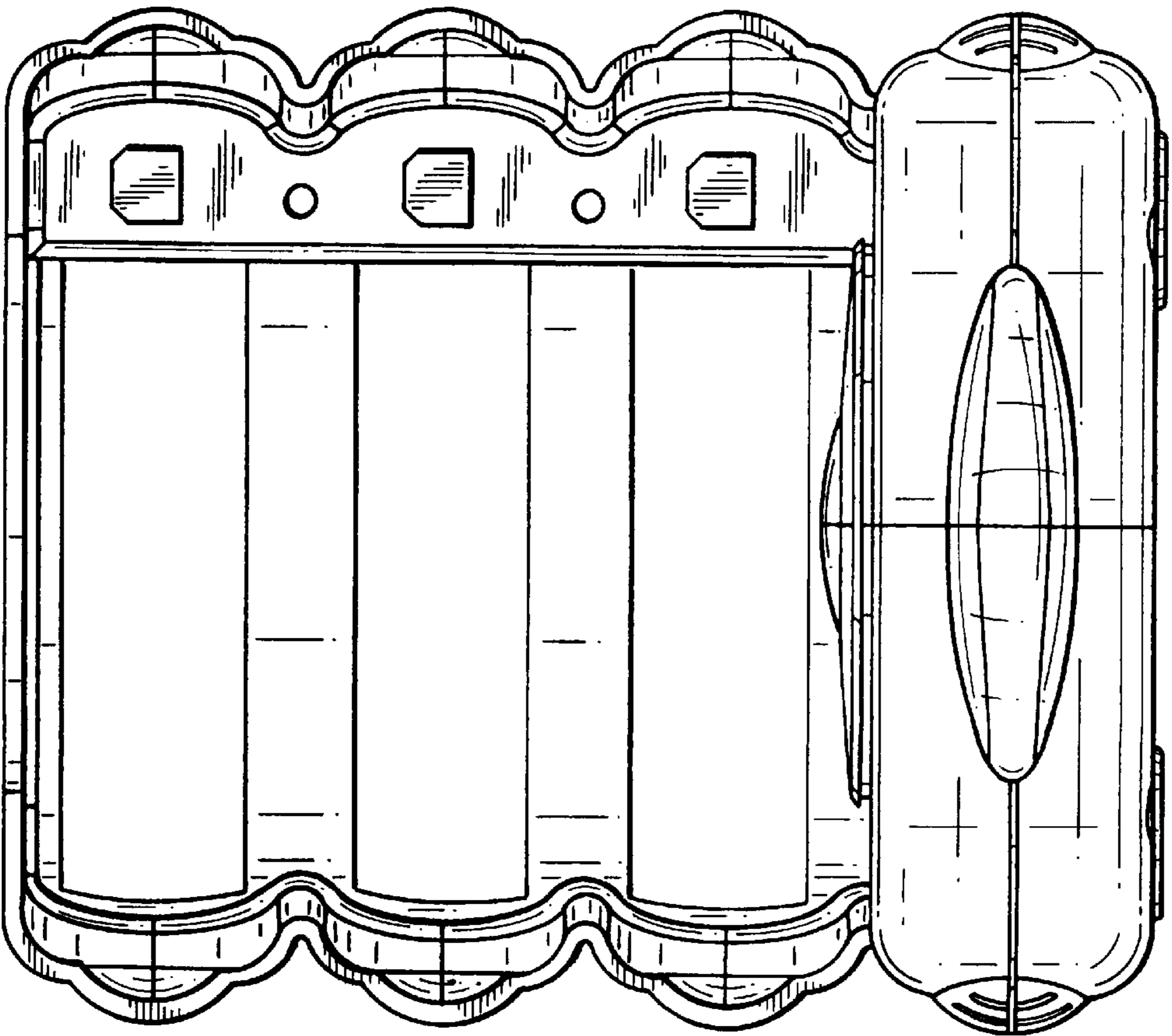


FIG. 4

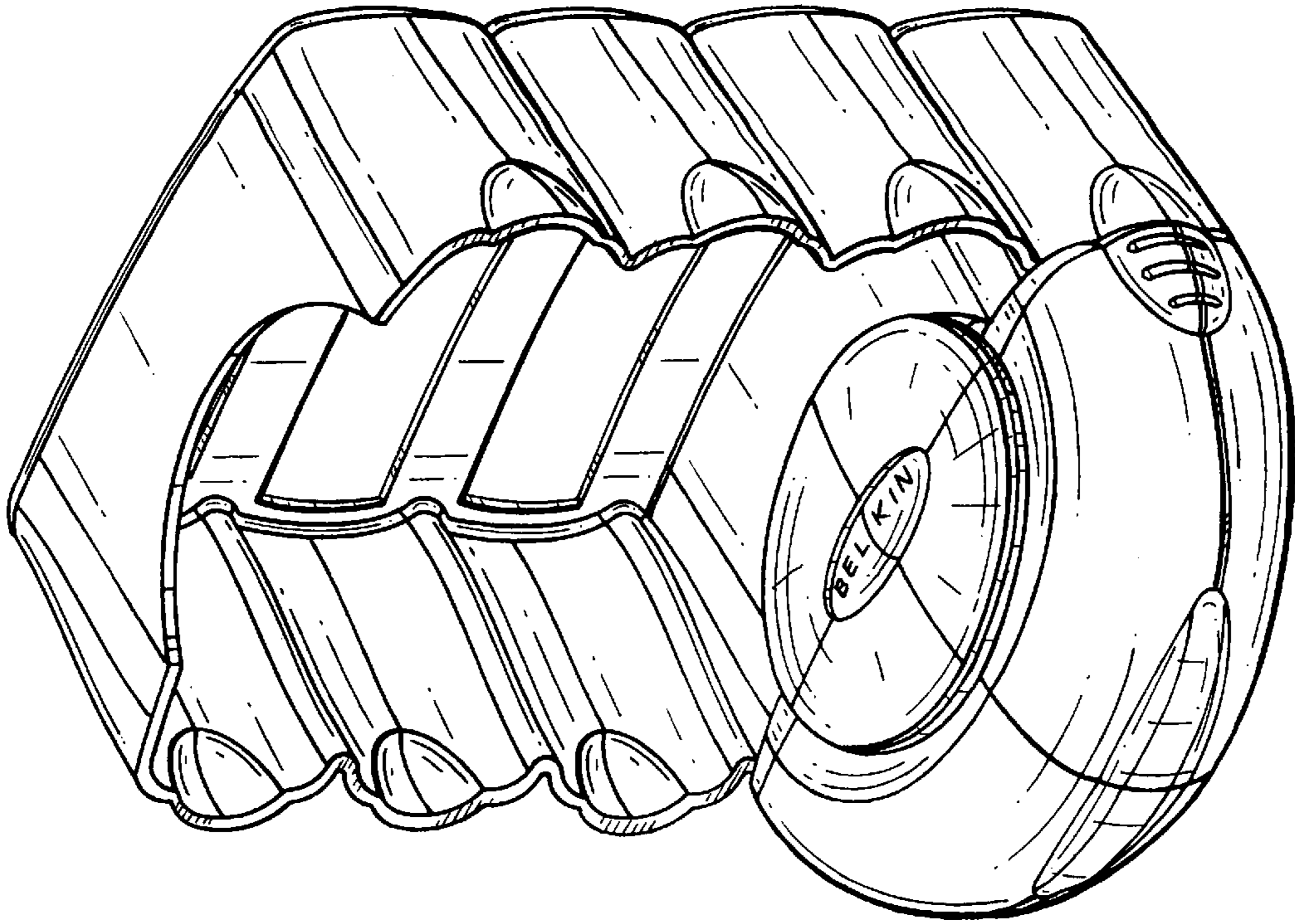


FIG. 7

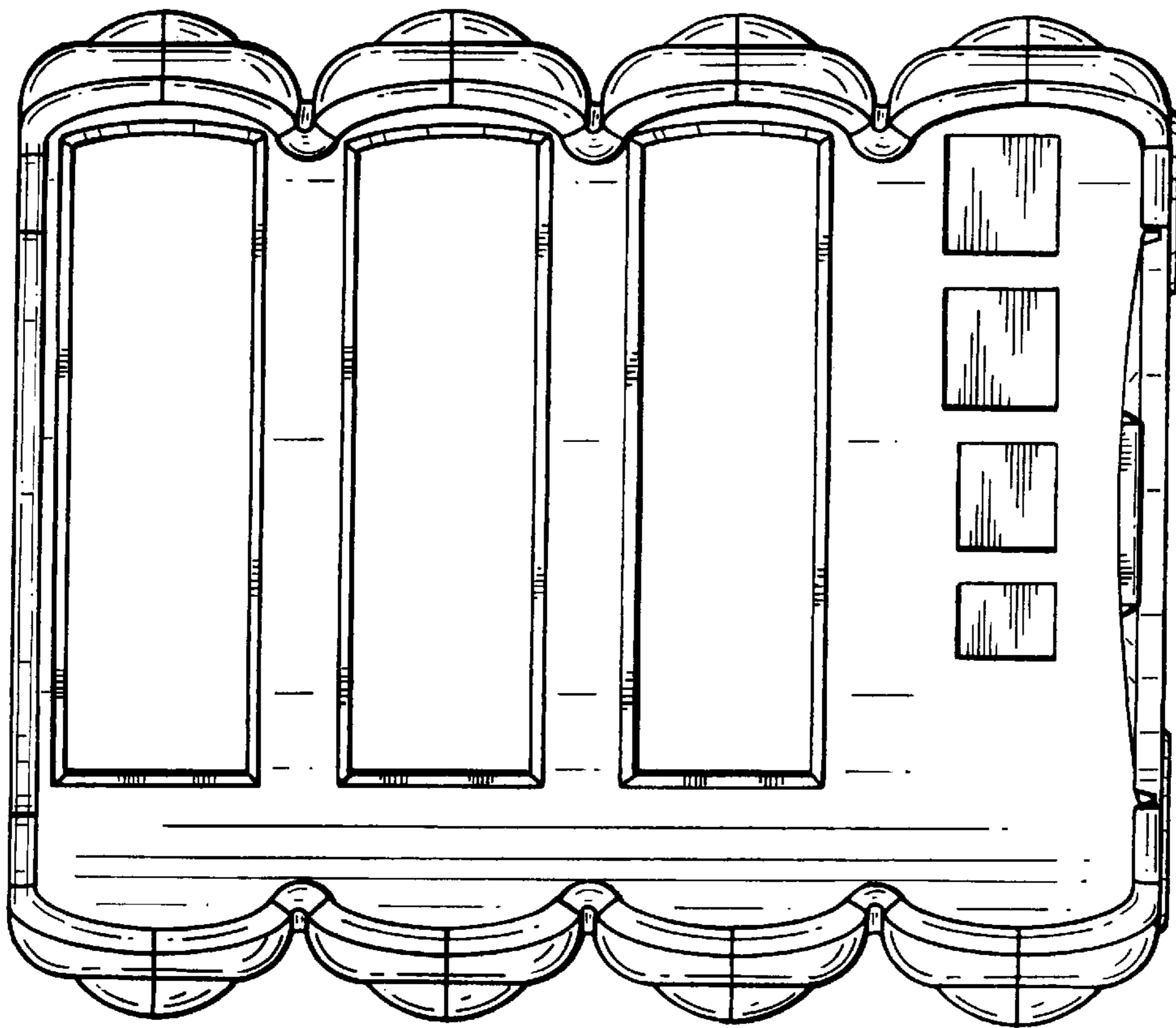


FIG. 6

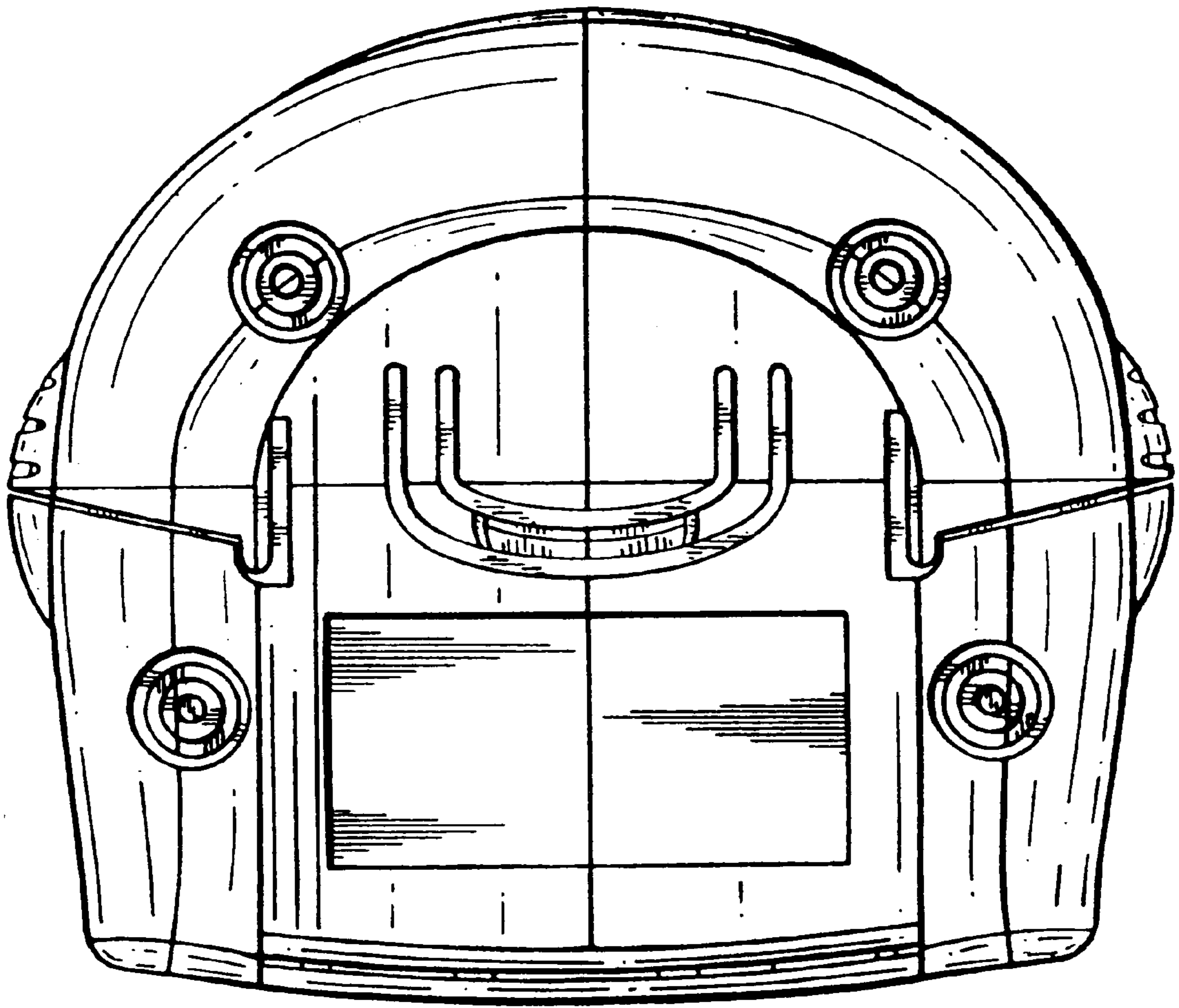


FIG. 8