



US00D435557S

# United States Patent [19]

[11] **Patent Number: Des. 435,557**

**Eisenberg et al.**

[45] **Date of Patent: \*\* Dec. 26, 2000**

[54] **HANDHELD INTERROGATOR**

[75] Inventors: **Peter M. Eisenberg**, Minneapolis;  
**Bernard A. Gonzalez**, St. Paul;  
**Mitchell B. Grunes**, Minneapolis;  
**Robert J. Schilling**, Arden Hills, all of  
Minn.

[73] Assignee: **3M Innovative Properties Company**,  
St. Paul, Minn.

[\*\*] Term: **14 Years**

[21] Appl. No.: **29/117,015**

[22] Filed: **Jan. 14, 2000**

[51] **LOC (7) Cl.** ..... **14-02**

[52] **U.S. Cl.** ..... **D14/428**

[58] **Field of Search** ..... D14/420-31; D19/41-51;  
235/375, 378, 385, 454, 462.15, 472.02,  
486; 382/312-15, 321, 318-19; 250/203.1,  
216, 566; D26/37, 45, 50

1 pg. regarding IR-100E: Portable Reader from internet site  
www.motorola.com/LMPS/Indala/ir-100e.htr printed Jun.  
12, 2000.

3 pgs. regarding Spider RFID from internet site www.wire-  
lessmountain.com/spiderreader.htr printed Jun. 12, 2000.

2 pgs. regarding Performa™ Portable Reader from internet  
site www.checkpointsystems.com/rfid/retperf.htm printed  
Jun. 12, 2000.

2 pgs. regarding Hand-Held Computer 5020 from internet  
site www.corp.intermec.com/products/5020.htm printed  
Jun. 12, 2000.

1 pg. regarding Portable RFID Readers from internet site  
www.stid.com/p\_Portables\_uk.htrr printed Jun. 12, 2000.

2 pgs. regarding workabout from internet site www.enter-  
prise.pSION.com/public/products/workaboutrf.ht printed Jun.  
12, 2000.

2 pgs. regarding Moby RFID Tag Reader from internet site  
www.enterprise.pSION.com/public/3rdparty/3drfidsiemen-  
s.htr printed Jun. 12, 2000.

1 pg. regarding Portable RFID Blackroc from internet site  
www.blackroc.com/PORTABLE%20RFID.htrr printed Jun.  
12, 2000.

*Primary Examiner*—M. H. Tung  
*Attorney, Agent, or Firm*—Peter L. Olson

[56] **References Cited**

**U.S. PATENT DOCUMENTS**

- D. 307,138 4/1990 Knowles .
- D. 352,937 11/1994 Karlin .
- D. 362,435 9/1995 Charych et al. .
- D. 377,347 1/1997 Karlin .
- D. 400,199 10/1998 Fitch et al. .
- D. 414,171 9/1999 Swift et al. .
- 5,280,159 1/1994 Schultz et al. .... 231/382

**FOREIGN PATENT DOCUMENTS**

0 987 646 A2 3/2000 European Pat. Off. .... G06K 7/08

**OTHER PUBLICATIONS**

3 pgs regarding Trovan Readers from internet site www.tro-  
van.com/readers.htrr printed Jun. 12, 2000.

2 pgs. regarding IDENTEC i-COM handheld interrogator  
from internet site www.identec.com/systemcomponents.htm  
printed Jun. 12, 2000.

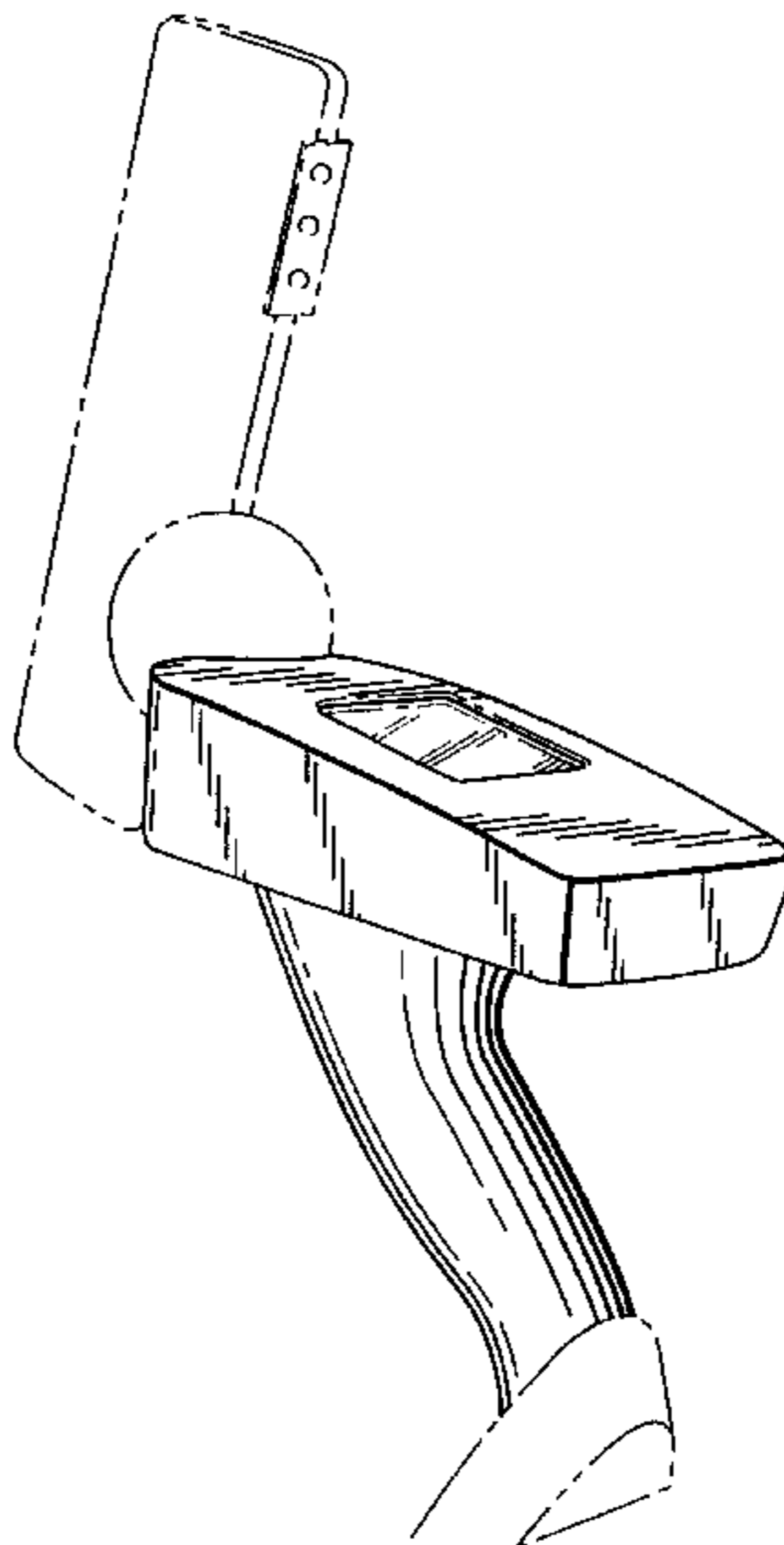
[57] **CLAIM**

The ornamental design for a handheld interrogator, as shown  
and described.

**DESCRIPTION**

FIG. 1 is a perspective view of the handheld interrogator  
showing our new design;  
FIG. 2 is a front elevational view thereof, the rear view is a  
mirror image;  
FIG. 3 is a top plan view thereof;  
FIG. 4 is a bottom elevational view thereof;  
FIG. 5 is a right side elevational view thereof; and,  
FIG. 6 is a left side elevational view thereof.  
The broken line drawing in all figure views is for illustrative  
purposes only, and forms no part of the claimed design.

**1 Claim, 3 Drawing Sheets**



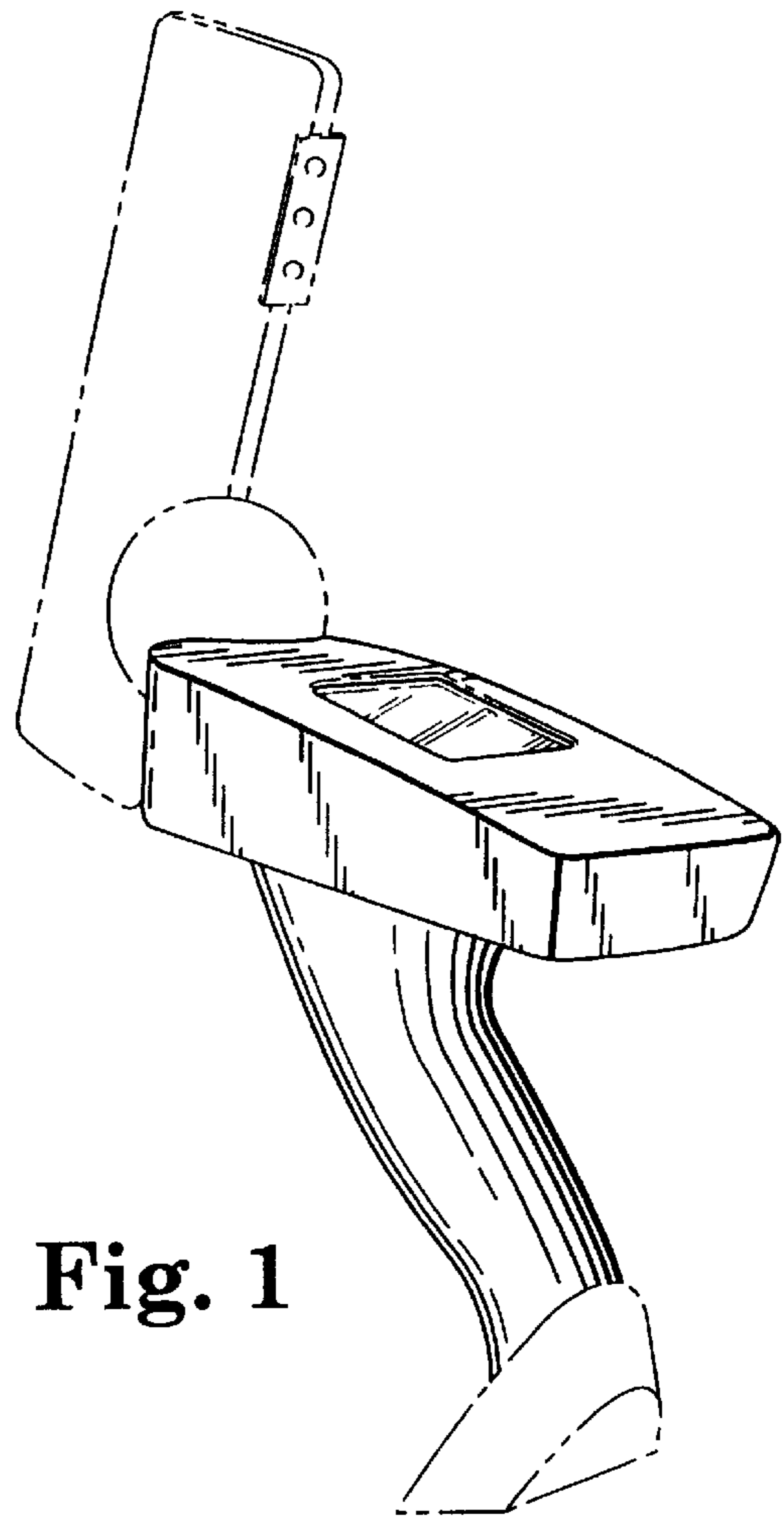


Fig. 1

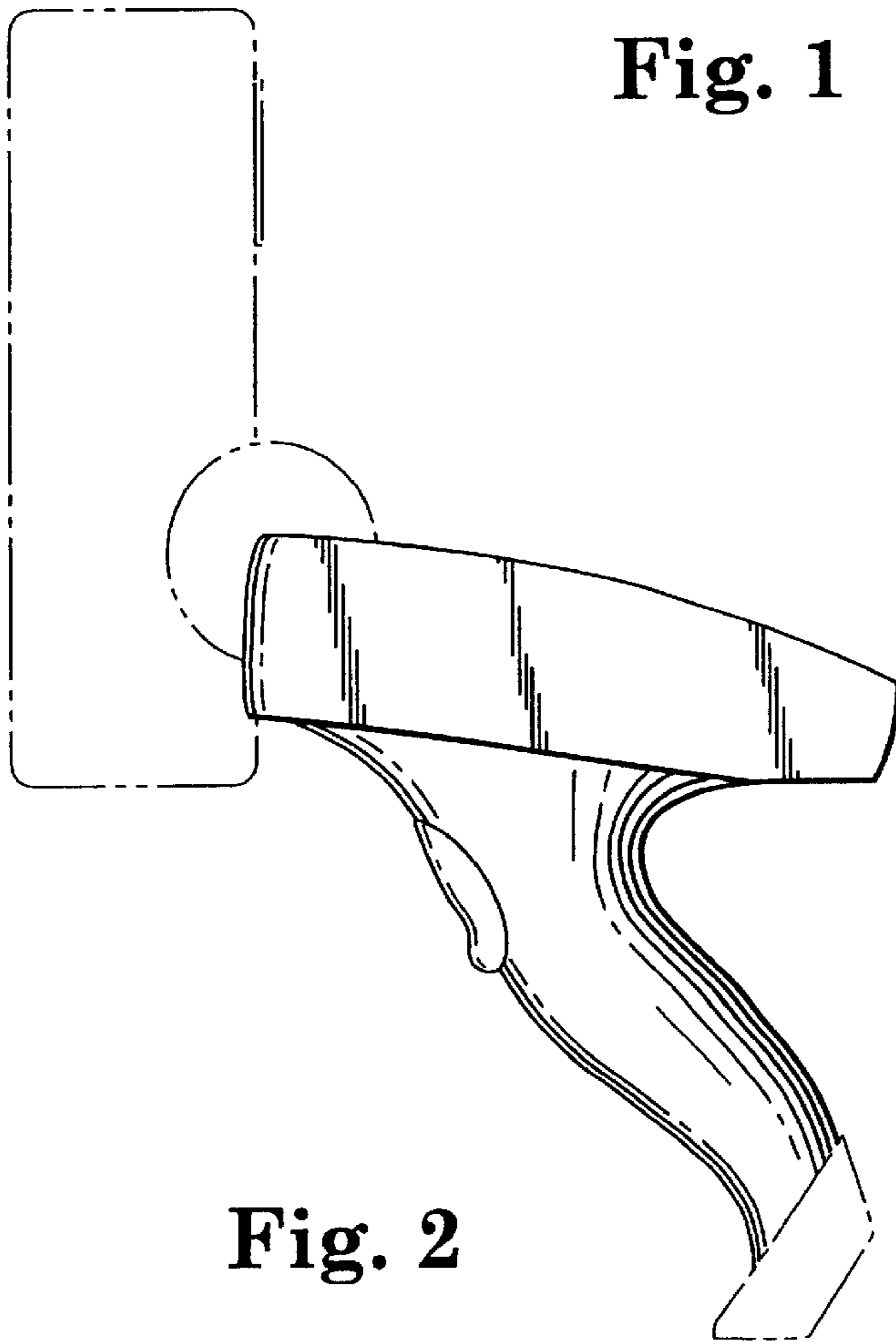
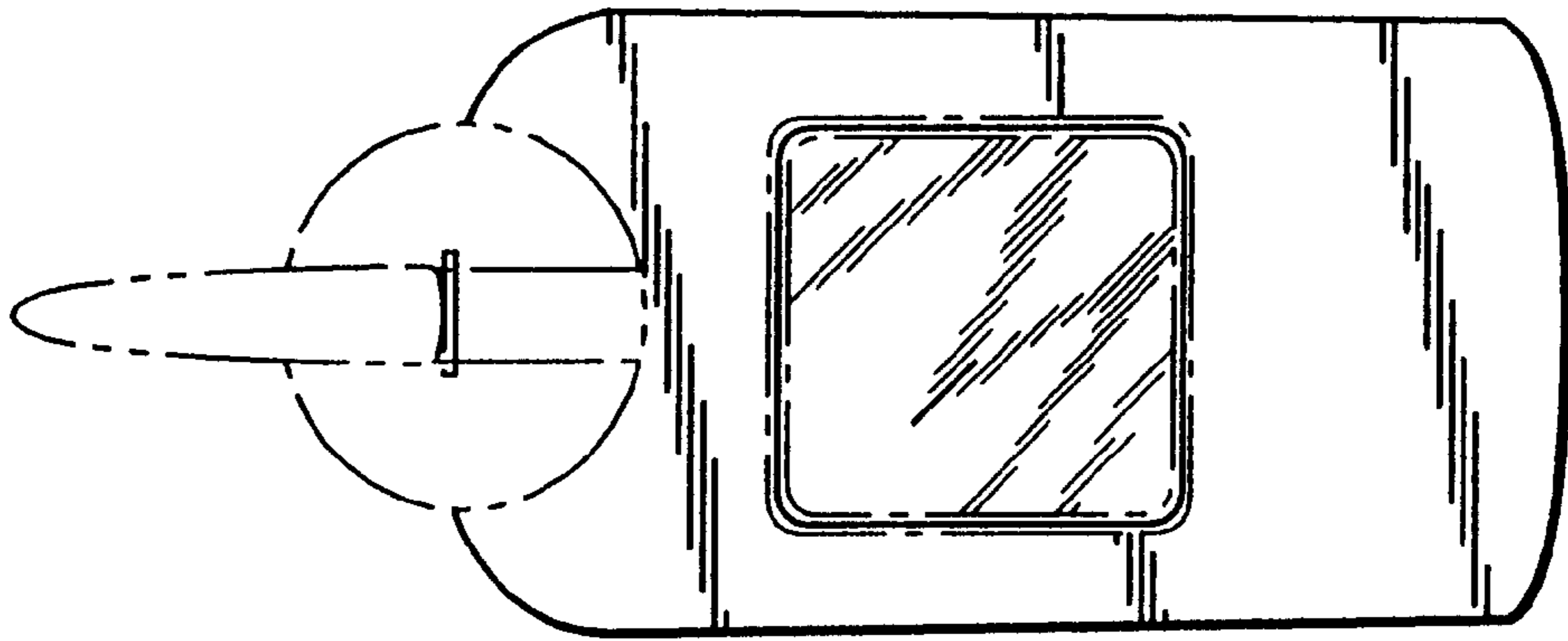
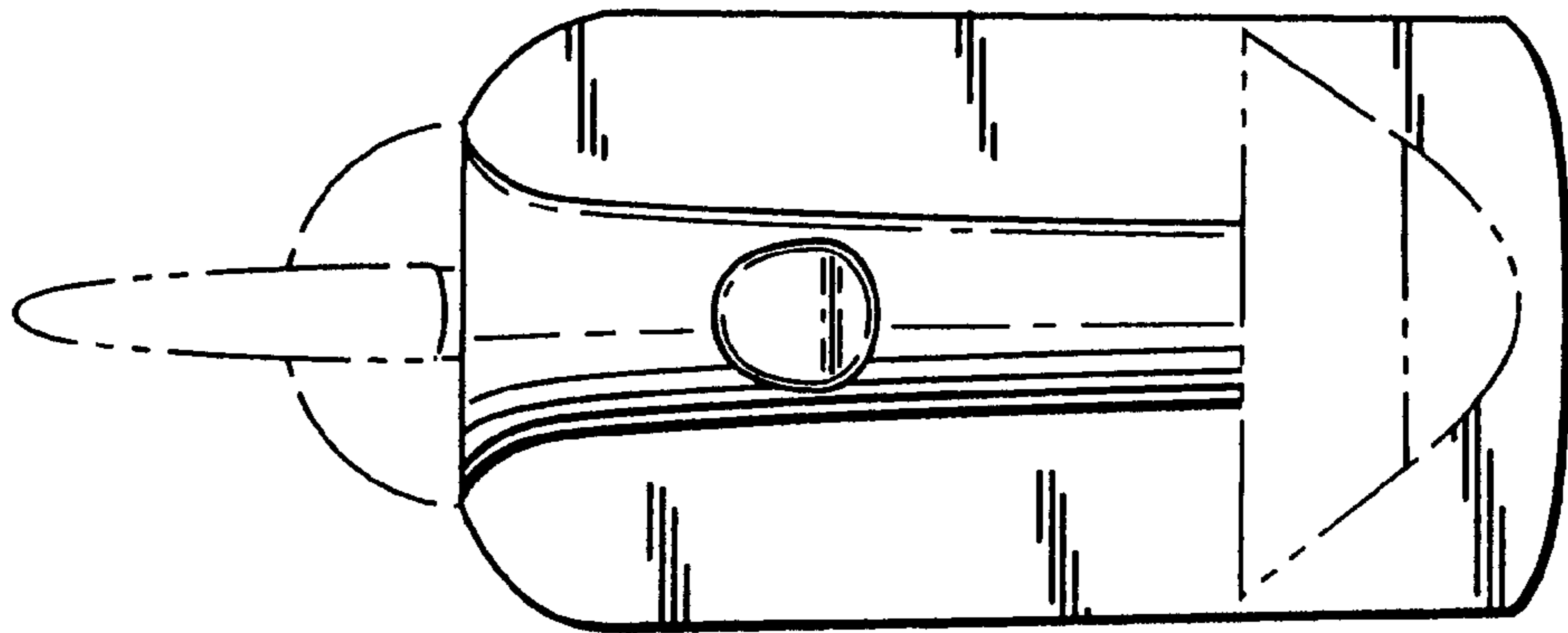


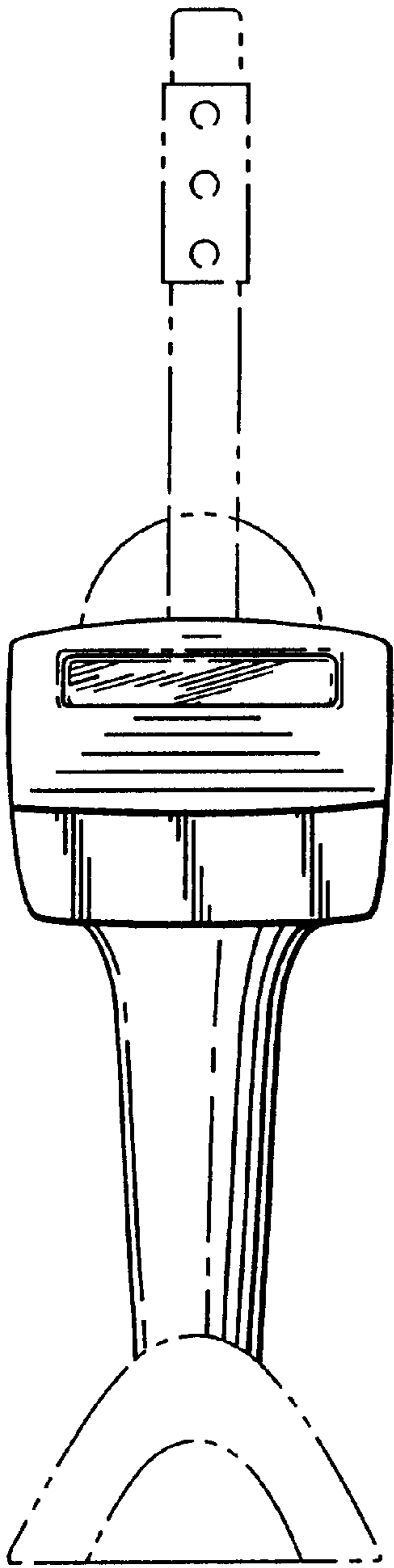
Fig. 2



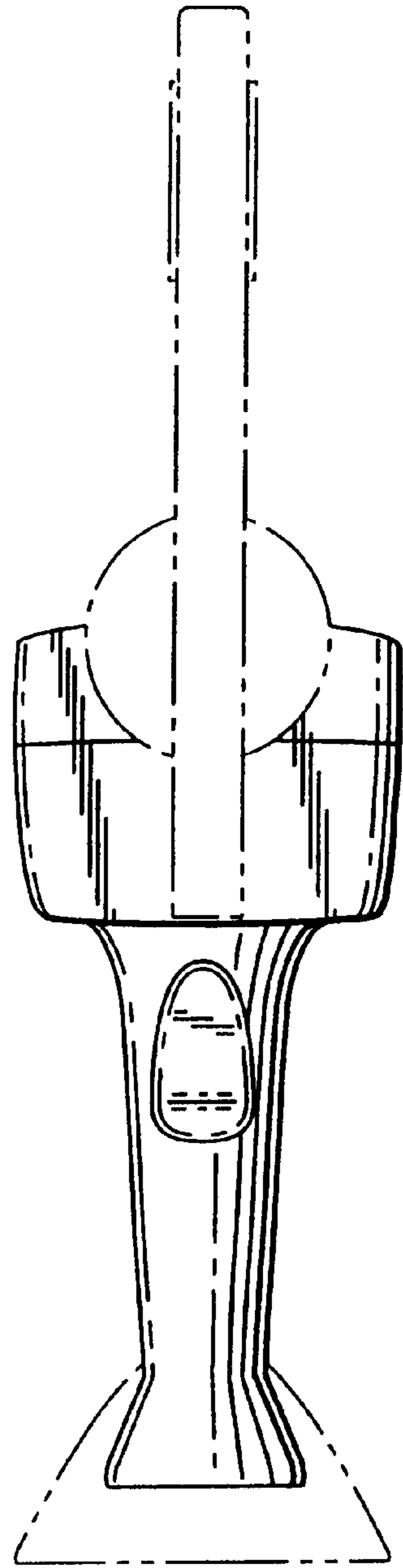
**Fig. 3**



**Fig. 4**



**Fig. 5**



**Fig. 6**