



US00D43556S

United States Patent [19]

Dow et al.

[11] Patent Number: Des. 435,556

[45] Date of Patent: ** Dec. 26, 2000

[54] **GUIDE LIGHTS FOR A HAND-HELD SCANNER**

[75] Inventors: **James C Dow**, Ft Collins; **David J Sims**, Loveland; **Thomas E Berg**, Ft Collins, all of Colo.

[73] Assignee: **Hewlett-Packard Company**, Palo Alto, Calif.

[**] Term: **14 Years**

[21] Appl. No.: **29/112,313**

[22] Filed: **Oct. 14, 1999**

[51] **LOC (7) Cl.** **14-02**

[52] **U.S. Cl.** **D14/426**

[58] **Field of Search** D14/420, 426-31; D16/137; 359/625, 640, 678, 831-37, 634; D26/1, 2, 4, 120; D11/16, 89; D19/34.1; 235/462.39, 457; 250/235, 227.2

[56] **References Cited**

U.S. PATENT DOCUMENTS

- 3,818,444 6/1974 Connell .
- 3,881,802 5/1975 Helava .

- 4,093,865 6/1978 Nickl .
- 4,591,236 5/1986 Broockman et al. .
- 4,623,225 11/1986 Forkner .
- 4,931,637 6/1990 Succari et al. .
- 4,967,074 10/1990 VonStein .
- 5,059,779 10/1991 Krichever et al. .
- 5,266,788 11/1993 Yamazaki et al. .
- 5,550,850 8/1996 Lee et al. .
- 5,737,096 4/1998 Takeuchi et al. .
- 6,078,441 6/2000 LaHood .

Primary Examiner—M. H. Tung

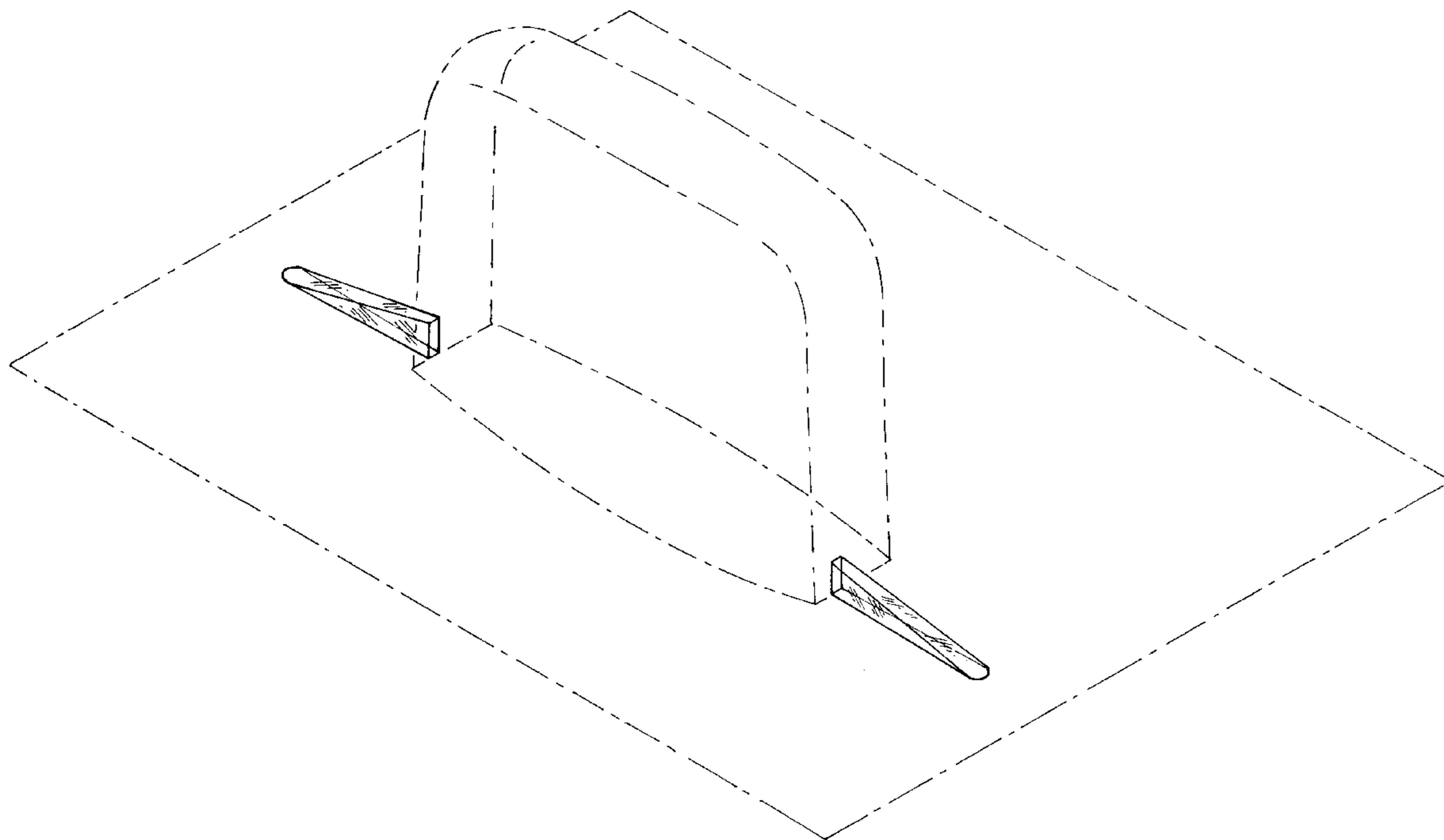
[57] **CLAIM**

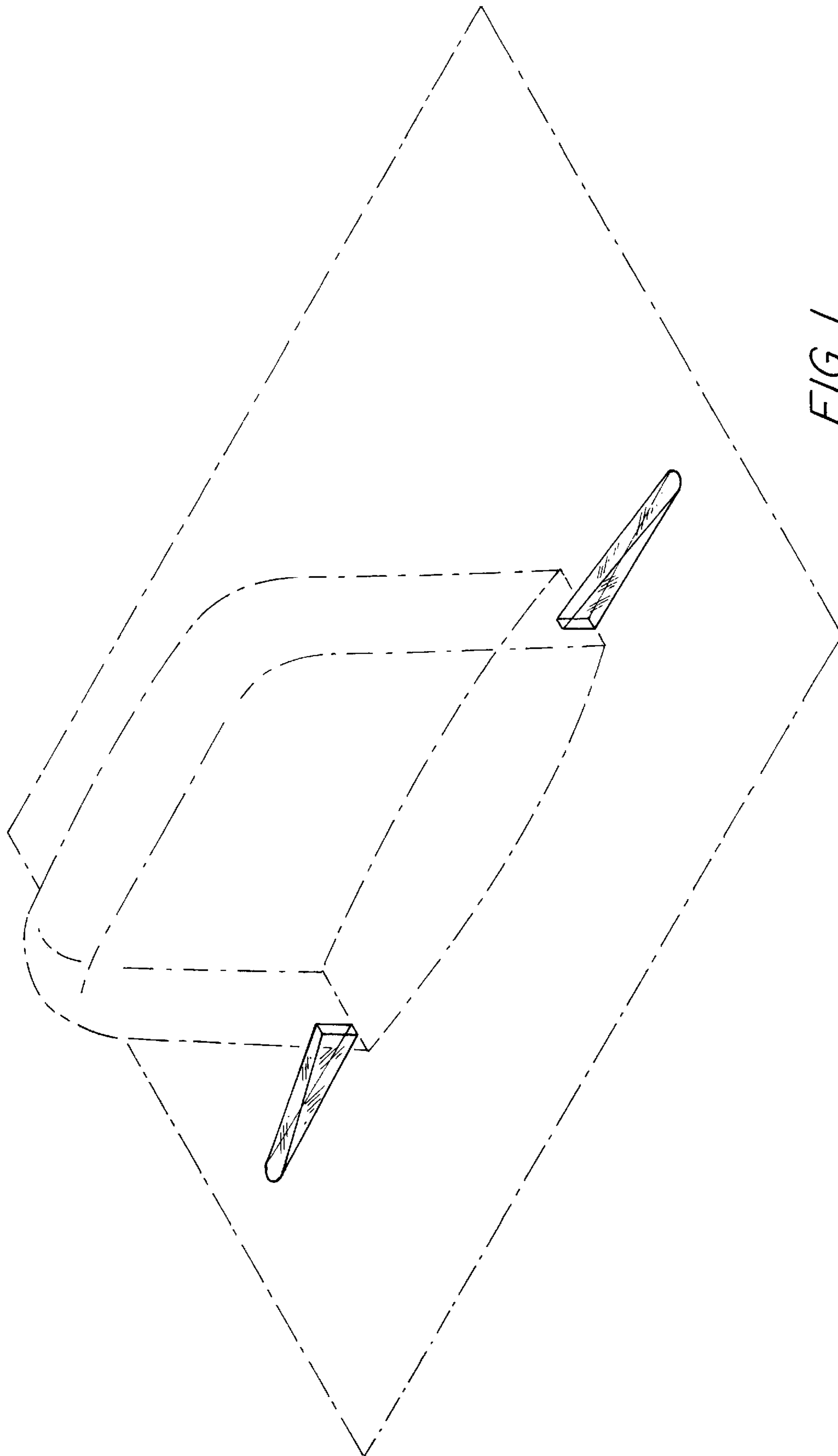
The ornamental design for guide lights for a hand-held scanner, substantially as shown and described.

DESCRIPTION

FIG. 1 is a perspective view of guide lights for a hand-held scanner according to our new design; FIG. 2 is a side view, the opposite side is identical; FIG. 3 is a top view; and, FIG. 4 is an end view, the opposite end is a mirror image. The broken line drawings in all views are for illustrative purposes only and form no part of the claimed design.

1 Claim, 2 Drawing Sheets





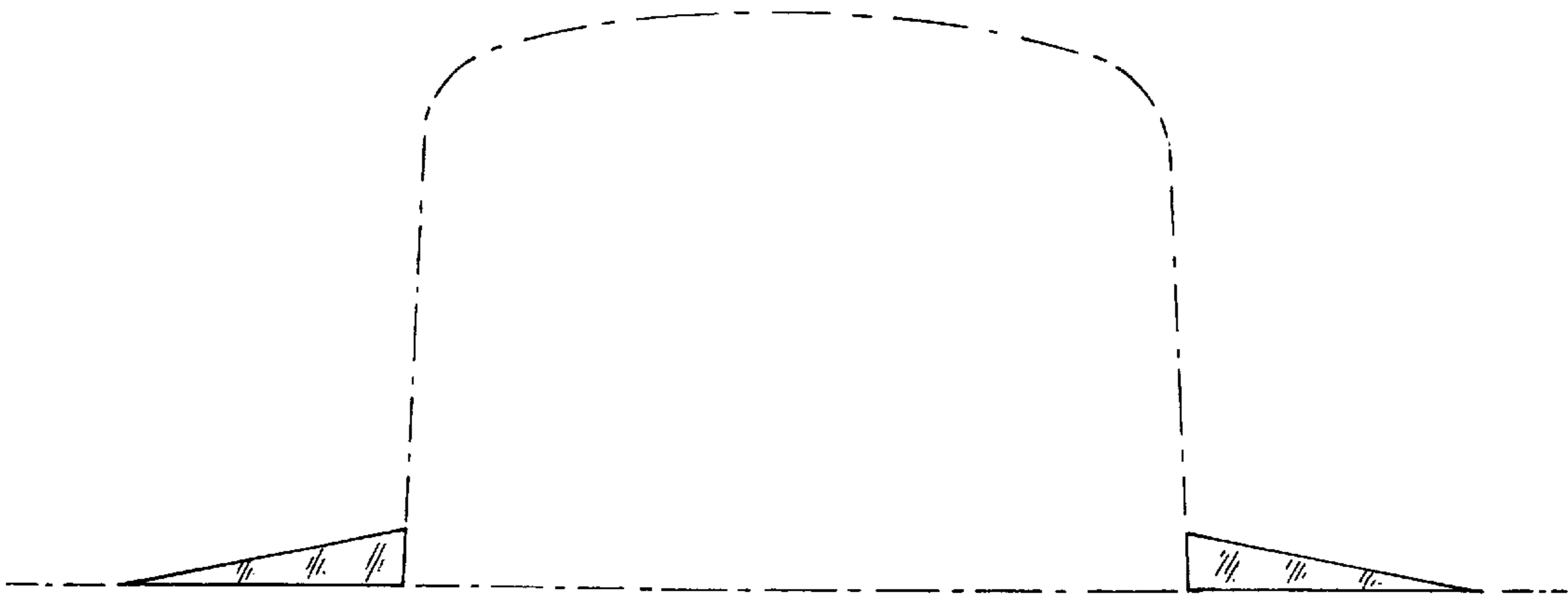


FIG. 2

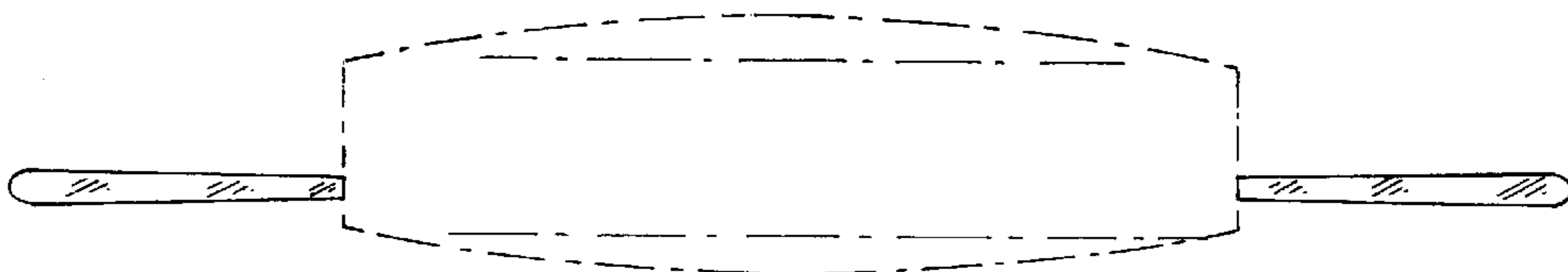


FIG. 3

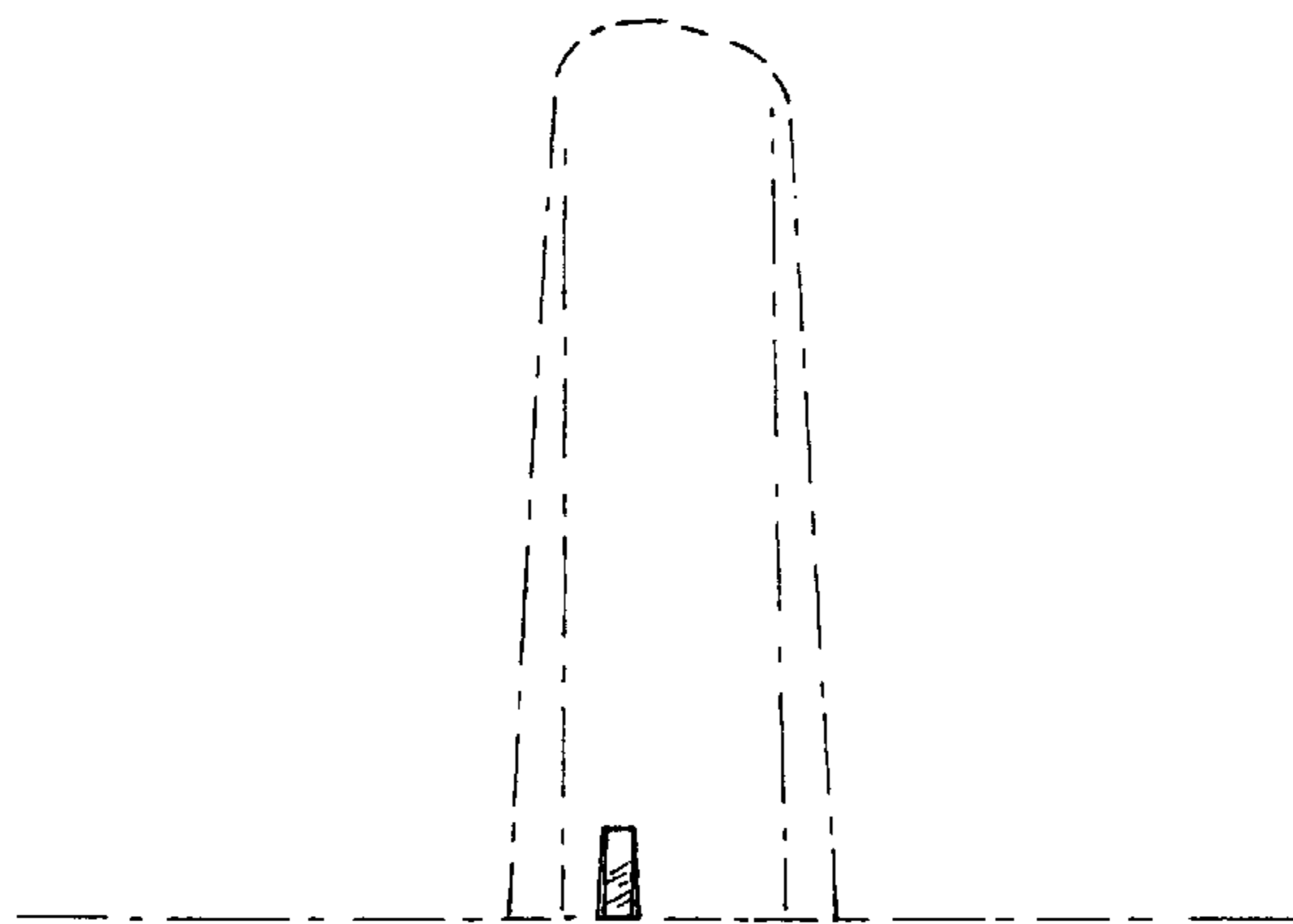


FIG. 4