



US00D435547S

United States Patent [19]

Reed

[11] Patent Number: Des. 435,547

[45] Date of Patent: ** *Dec. 26, 2000

[54] TELEPHONE MOUTHPIECE COVER

[76] Inventor: Larry Reed, 2241 Desire St., New Orleans, La. 70122

[*] Notice: Under 35 U.S.C. 154(b), the term of this patent shall be extended for 01 day.

[**] Term: 14 Years

[21] Appl. No.: 29/108,358

[22] Filed: Jul. 26, 1999

[51] LOC (7) Cl. 14-03

[52] U.S. Cl. D14/250

[58] Field of Search D14/205, 206, D14/219, 222, 223, 140, 240, 249, 250; 379/433, 447, 451, 452, 437, 439; 455/90

[56] References Cited

U.S. PATENT DOCUMENTS

D. 283,128	3/1986	Bate	D14/249
D. 307,275	4/1990	Pollard	D14/249
D. 307,753	5/1990	Oliver	D14/249
D. 338,675	8/1993	Wharton et al.	D14/250
D. 339,141	9/1993	Ghasemi	D14/250
D. 380,477	7/1997	Williams et al.	D14/250
D. 408,036	4/1999	Marshall	D14/250
642,982	2/1900	Hart	379/452
946,725	1/1910	Elzas	379/452
1,398,029	11/1921	Lee	379/452
1,402,213	1/1922	Connelly	379/452
2,700,075	1/1955	Korn	379/452
3,148,249	9/1964	King	379/452
3,169,171	2/1965	Wachs et al.	379/452
3,238,313	3/1966	Kalogris	379/452
3,243,527	3/1966	Sternheim	379/452
3,530,261	9/1970	Gum	379/452
3,589,106	6/1971	Onuki	379/452 X
4,570,038	2/1986	Tinelli	379/452

Primary Examiner—Jeffrey Asch

[57] CLAIM

The original and ornamental design for the "telephone mouthpiece cover," as shown and described.

DESCRIPTION

FIG. 1 is a front, perspective view of a first, currently

preferred embodiment of the telephone mouthpiece cover of the invention having a rotatable top, showing the new design with its rotatable top in its open disposition.

FIG. 2 is a front, perspective view of the telephone mouthpiece cover of the embodiment of FIG. 1 showing the new design with its rotatable top in its closed disposition.

FIG. 3 is a plan or top view of the cover embodiment of FIG. 1 in the closed disposition of FIG. 2.

FIG. 4 is an underside view of the embodiment of FIG. 3 (closed disposition), with a screw head at the axis of rotation of the rotatable cover.

FIG. 5 is a bottom side view of the embodiment of FIG. 3 (closed disposition).

FIG. 6 is a left side (from the perspective of FIG. 2) view of the embodiment of FIG. 3 (closed disposition).

FIG. 7 is a top side view of the embodiment of FIG. 3 (closed disposition).

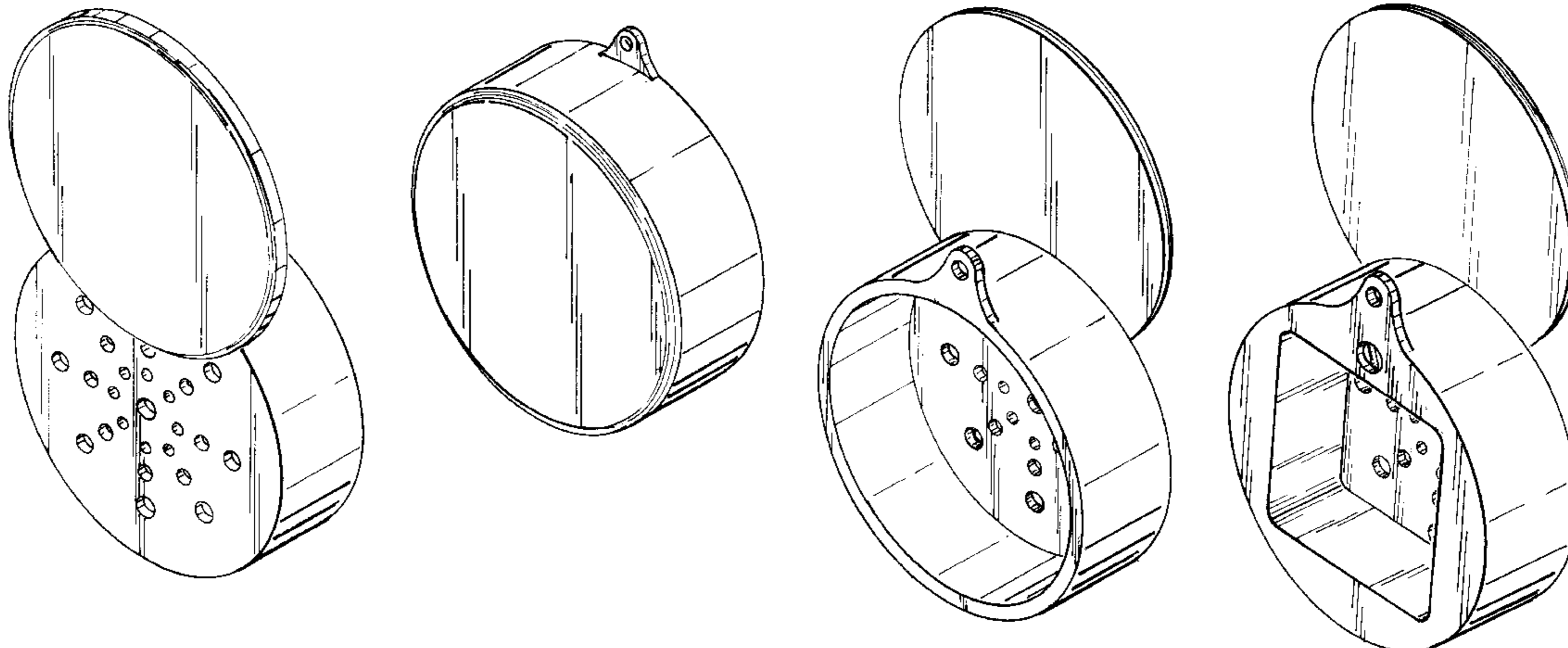
FIG. 8 is a right side (from the perspective of FIG. 2) view of the embodiment of FIG. 3 (closed disposition), with an exemplary telephone handset to which the cover is applied partially shown in phantom line.

FIG. 9 is a rear, perspective view, opposite to that of FIG. 1, of the cover likewise showing the new design in its open disposition.

FIG. 10 is a rear, perspective view of a second embodiment of the cover of the invention, in its open disposition, similar in perspective to that of FIG. 9, but with the shown circular open area of FIG. 9 being rectangular in shape in FIG. 10, with all the other views, such as those shown in FIGS. 1–8, being the same for both embodiments; and,

FIG. 11 is a front, perspective view of a third embodiment of the cover of the invention, in its open disposition, substantively identical to the embodiment of FIG. 1, but with its rotatable top and its base lined to show contrasting colors, e.g. the colors red and green.

1 Claim, 3 Drawing Sheets



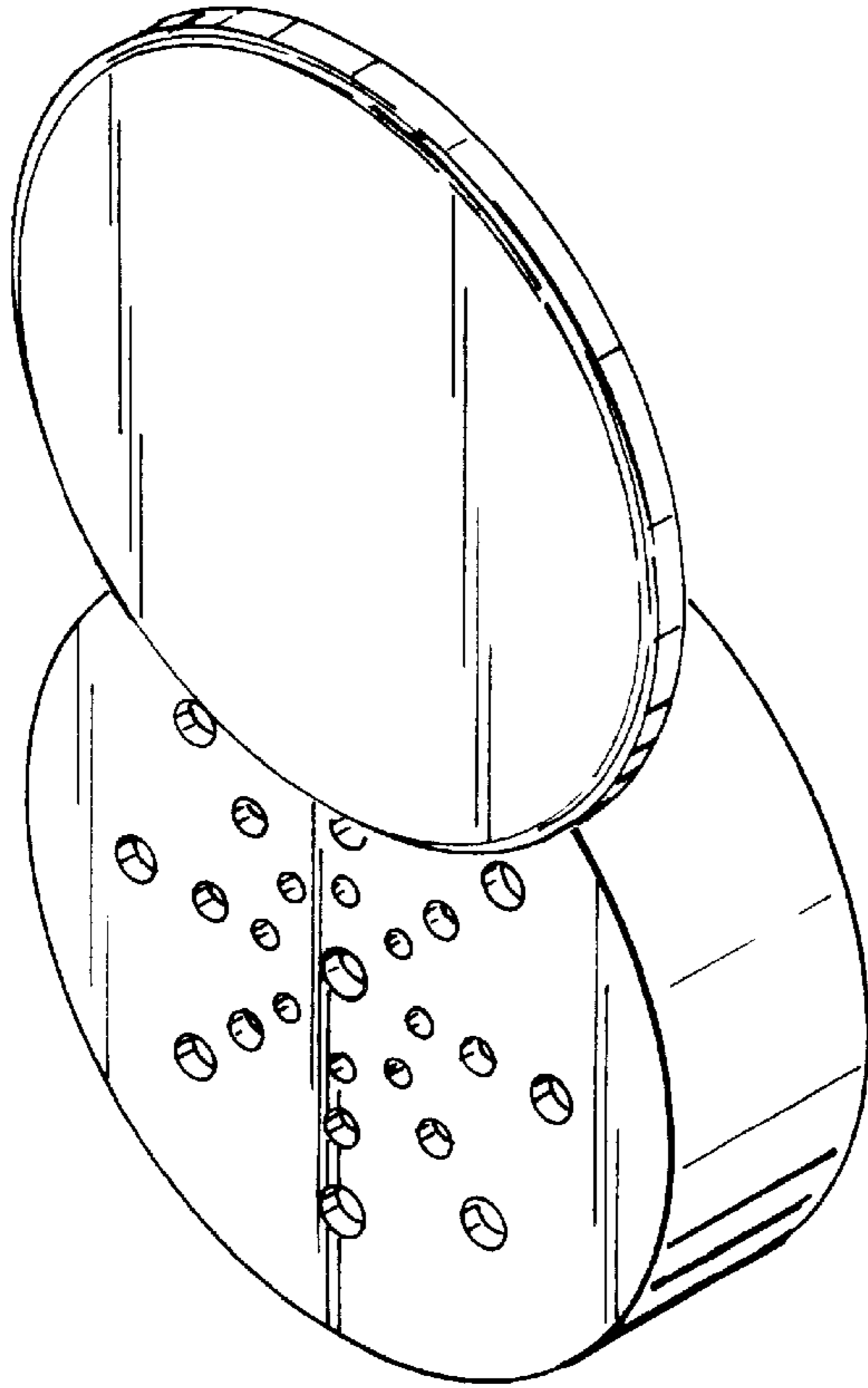


FIG. 1

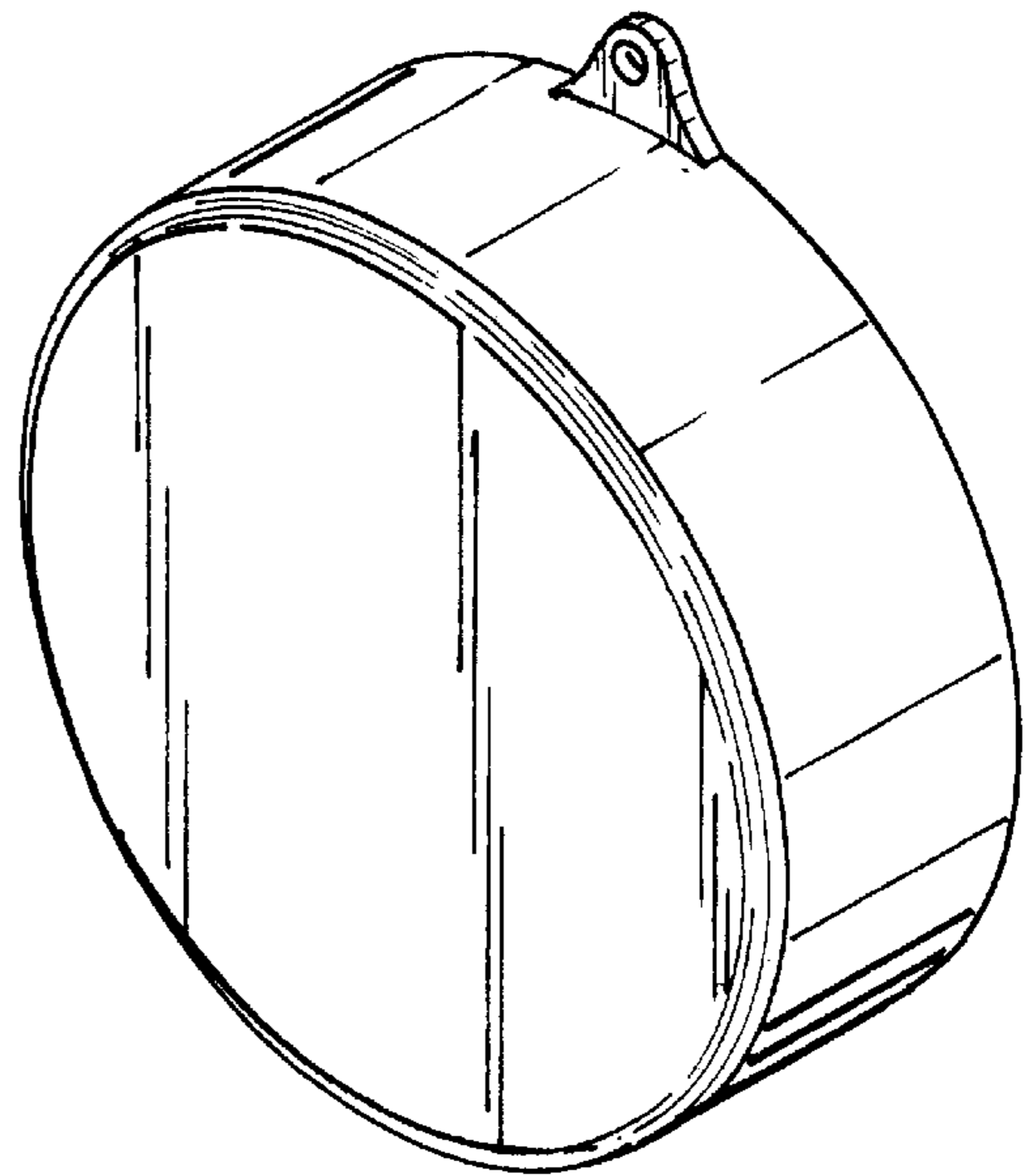


FIG. 2

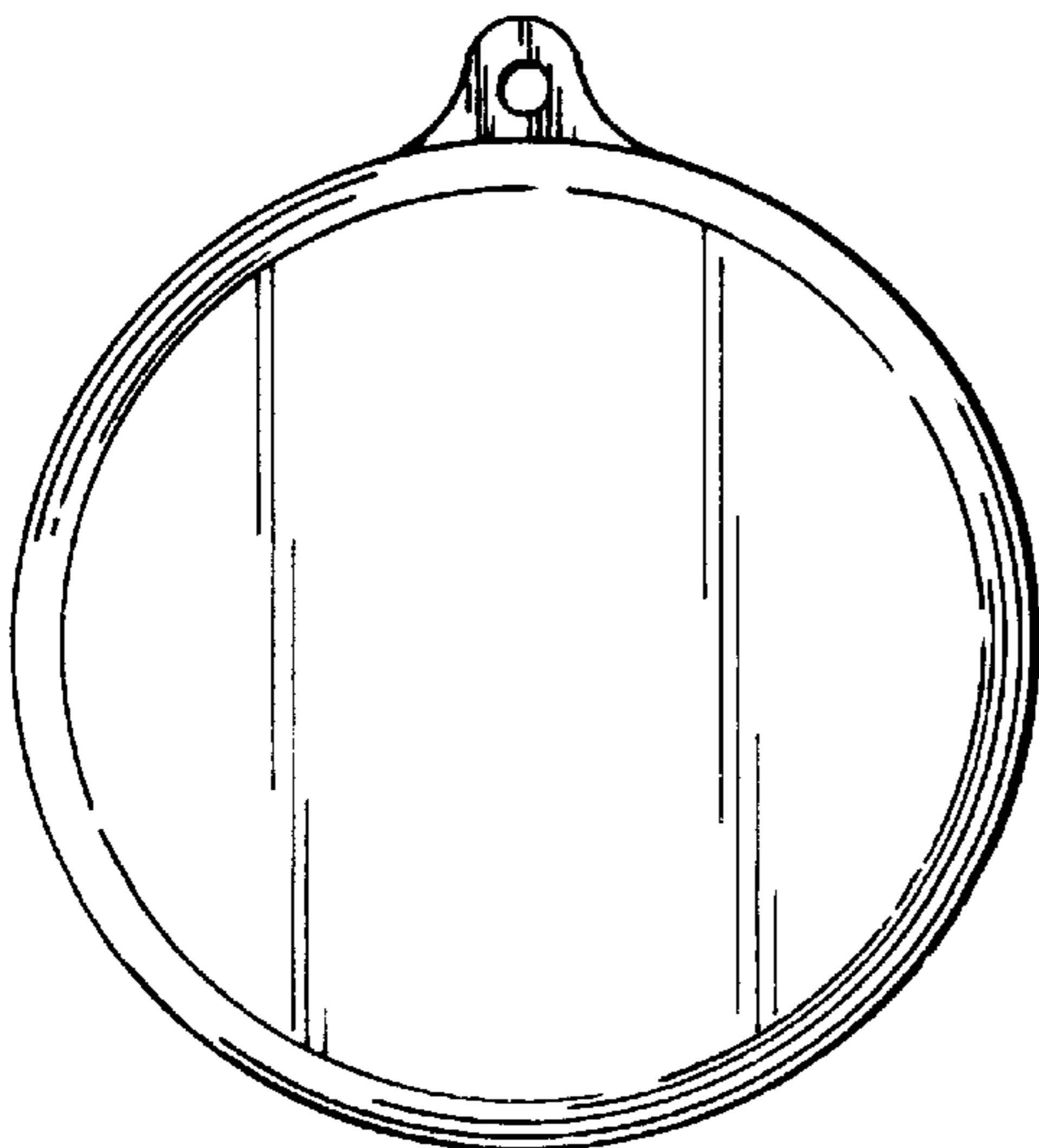


FIG. 3

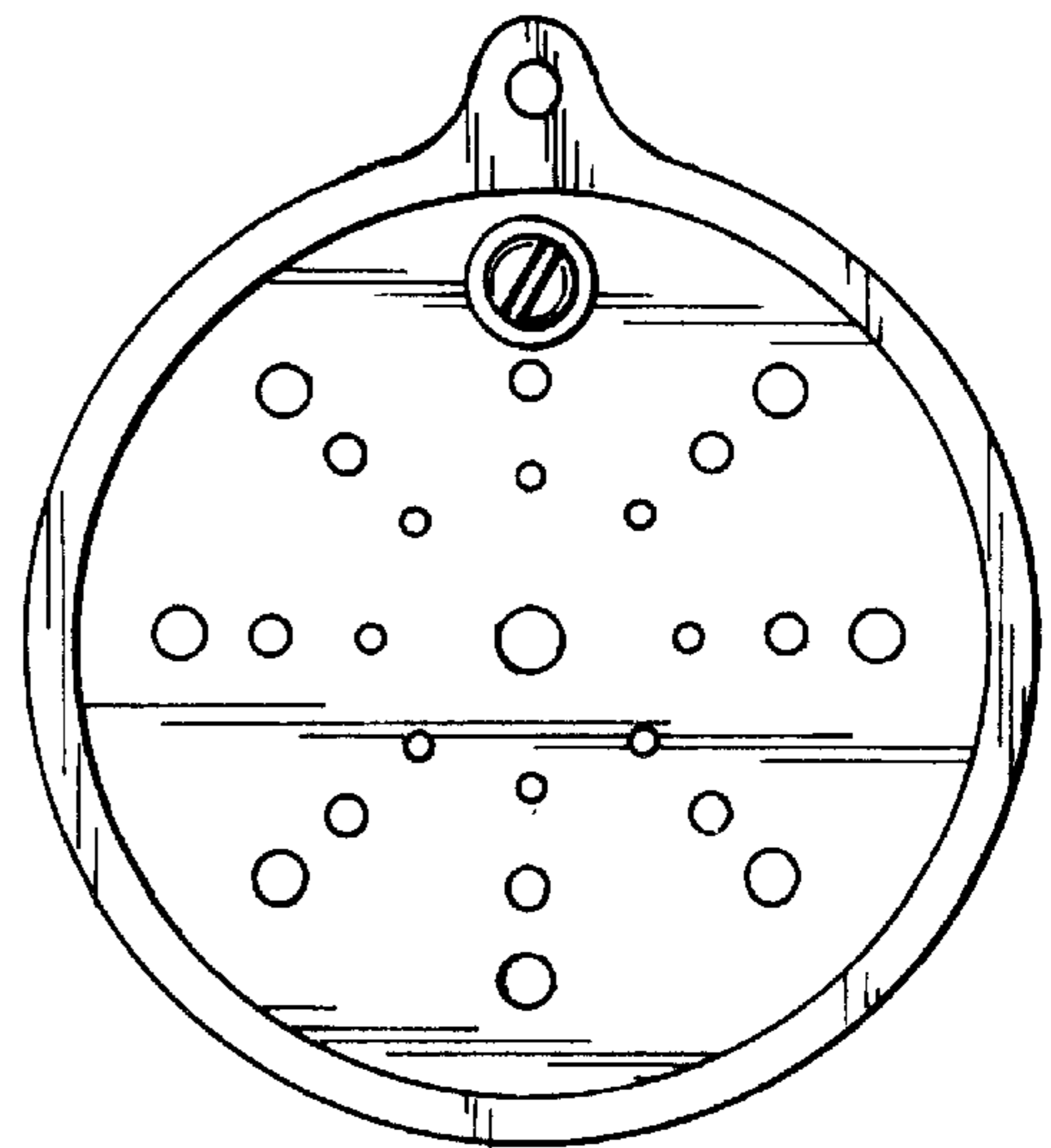


FIG. 4

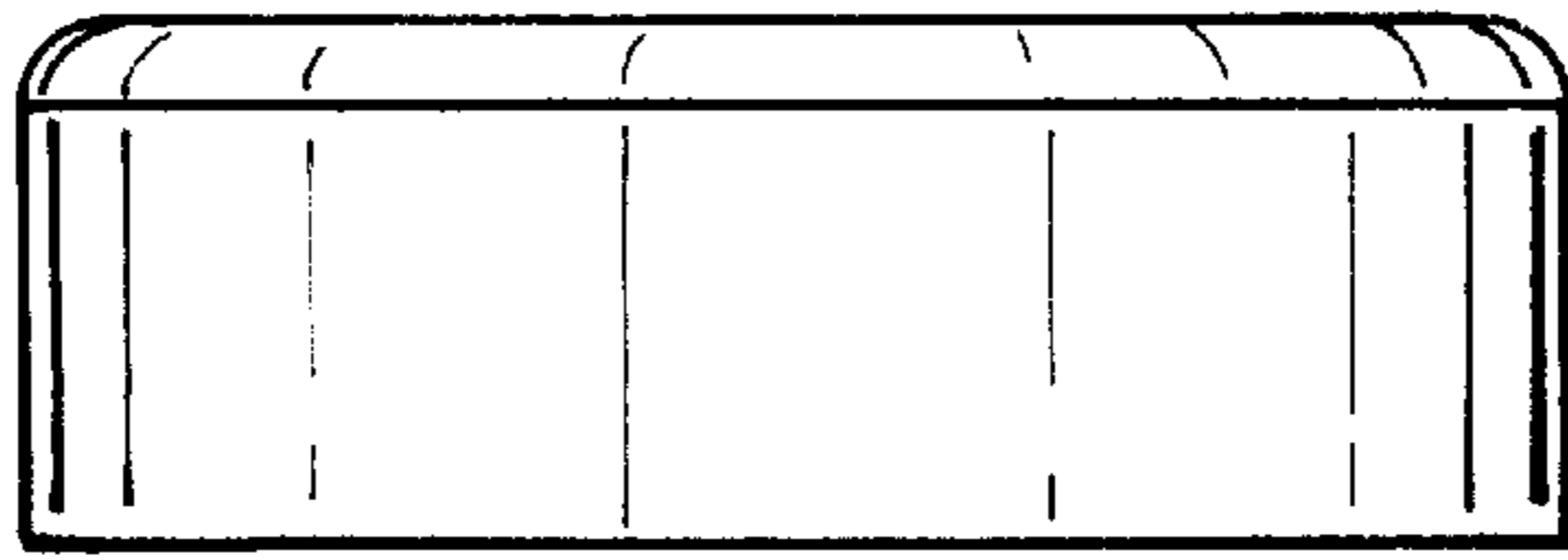


FIG. 5

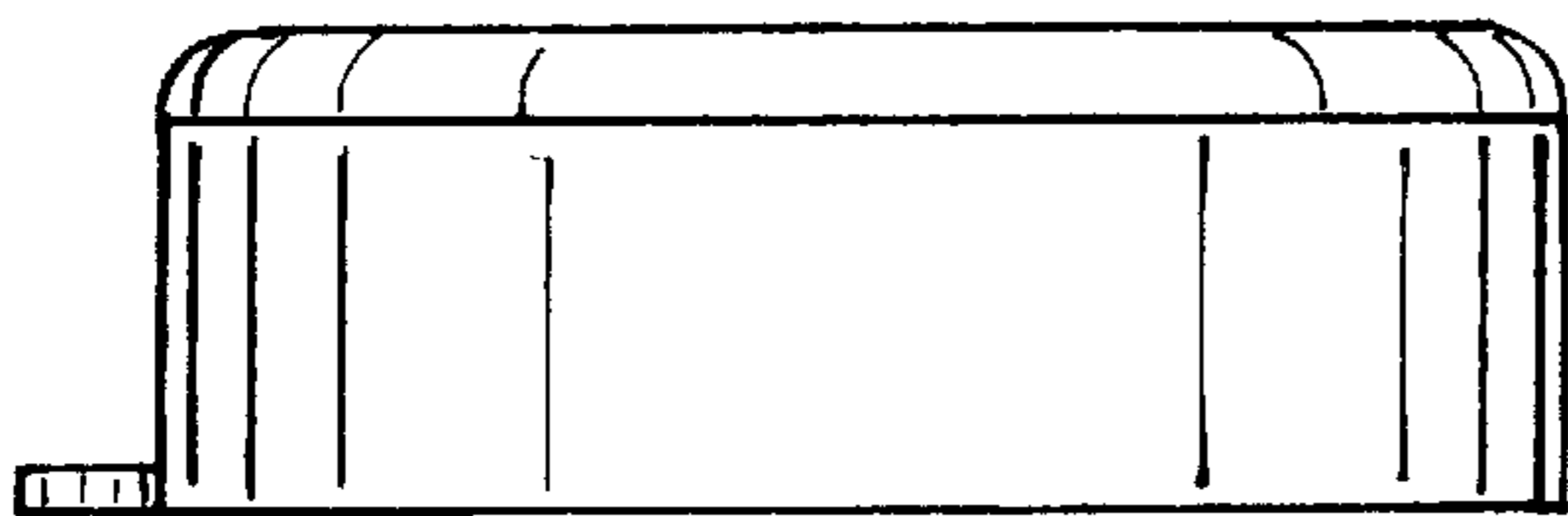


FIG. 6

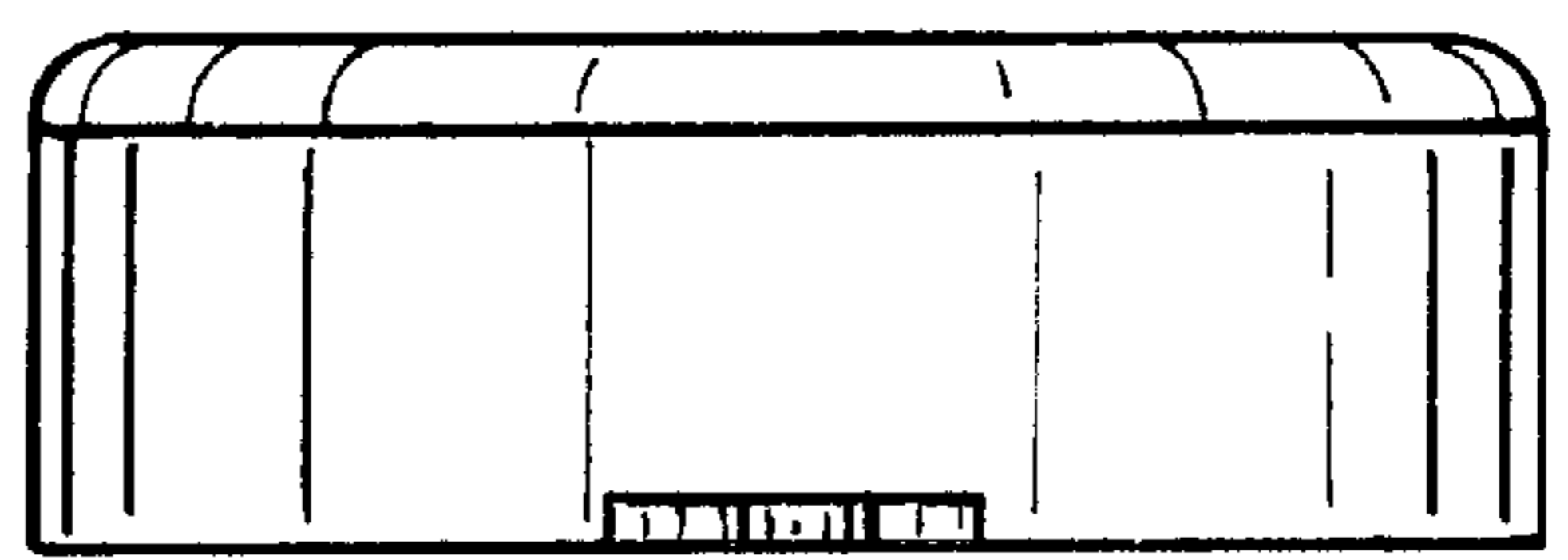


FIG. 7

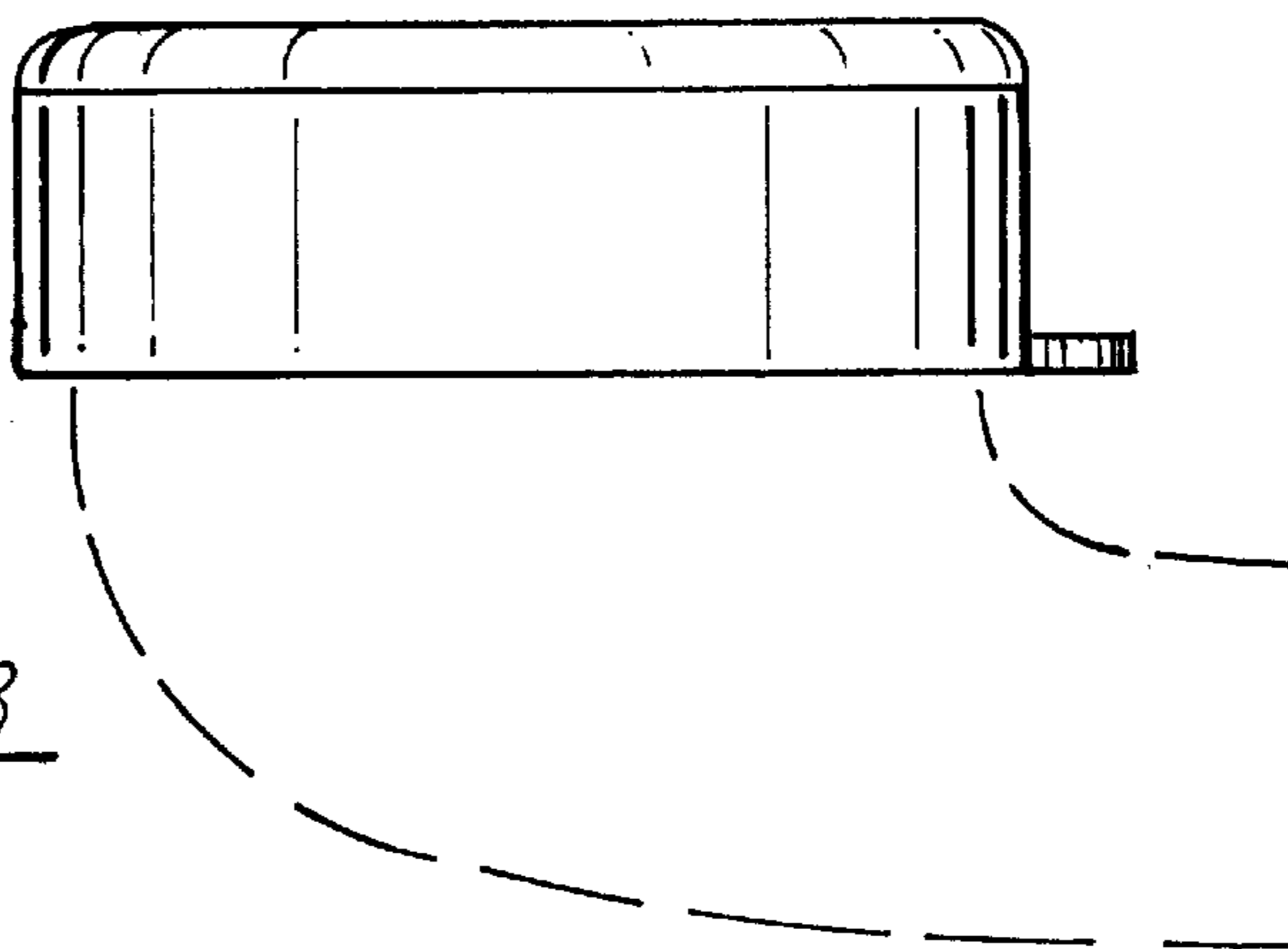


FIG. 8

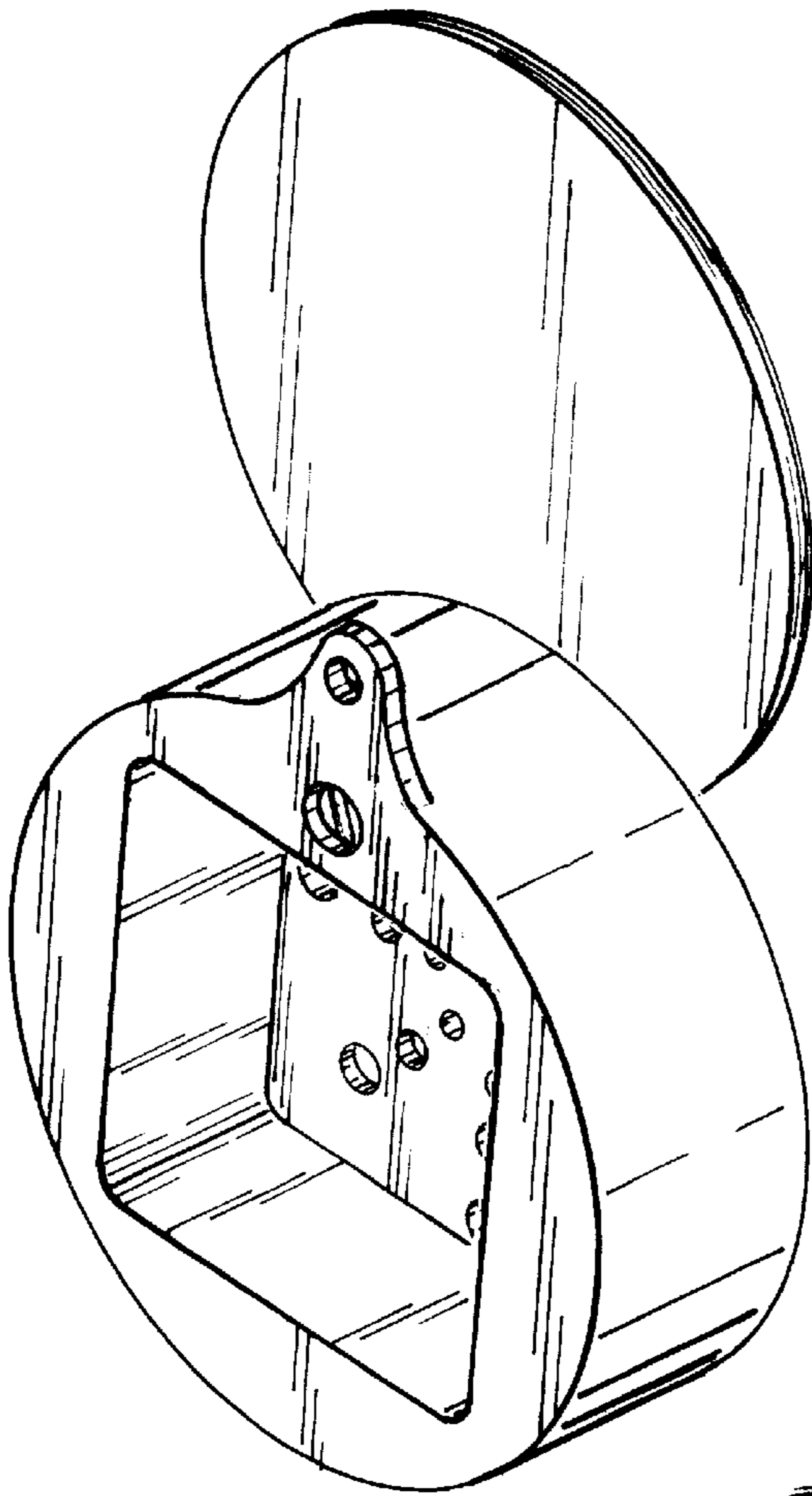


FIG. 10

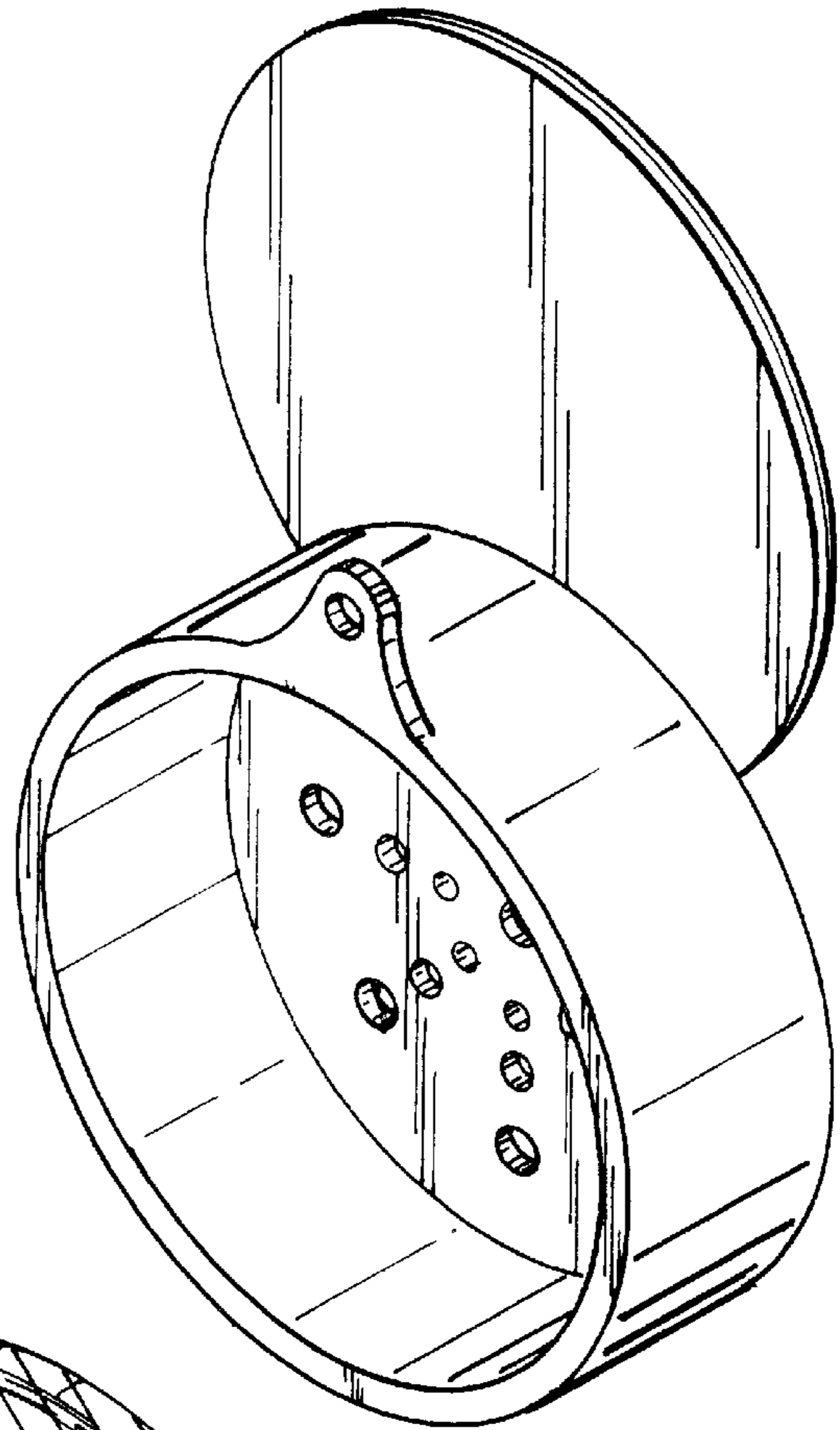


FIG. 9

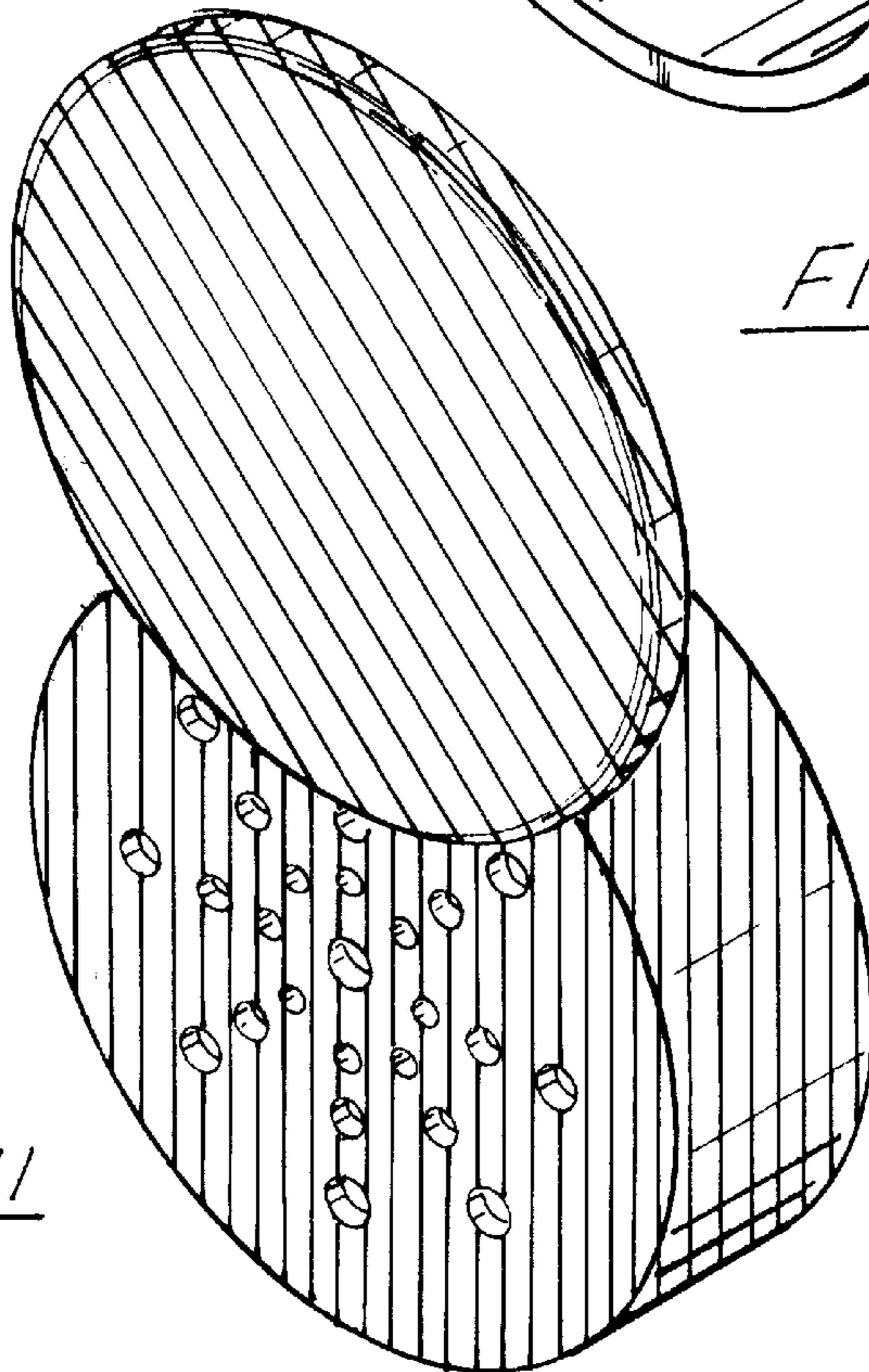


FIG. 11