



US00D435543S

# United States Patent [19]

Nakamura

[11] **Patent Number: Des. 435,543**

[45] **Date of Patent: \*\* Dec. 26, 2000**

[54] **REMOTE CONTROLLER FOR DISC PLAYER**

D. 418,837 1/2000 Ishii ..... D18/218  
D. 421,975 3/2000 Steel ..... D14/100

[75] Inventor: **Mitsuhiro Nakamura**, Tokyo, Japan

[73] Assignee: **Sony Corporation**, Japan

[\*\*] Term: **14 Years**

[21] Appl. No.: **29/111,766**

[22] Filed: **Oct. 5, 1999**

[30] **Foreign Application Priority Data**

Apr. 9, 1999 [JP] Japan ..... 11-9340

[51] **LOC (7) Cl.** ..... **14-03**

[52] **U.S. Cl.** ..... **D14/218; D14/217**

[58] **Field of Search** ..... D14/217, 218,  
D14/124, 100, 101; D10/104, 106; D13/168;  
438/734; 455/151.1-151.4, 152.1, 352-355;  
200/331

[56] **References Cited**

**U.S. PATENT DOCUMENTS**

D. 368,721 4/1996 Howell et al. .... D14/218  
D. 371,791 7/1996 Patton ..... D14/218  
D. 371,792 7/1996 Patton ..... D14/218  
D. 371,793 7/1996 Patton ..... D14/218

**OTHER PUBLICATIONS**

Catalog "Walkman/CD Walkman/Radio Cassette", 6 Sheets, Sony, (May 1998).

Certificate of Registration of Design, Number of Registration 2073498, United Kingdom, (Jul. 12, 1998).

*Primary Examiner*—Louis S. Zarfes

*Assistant Examiner*—Greg Andoll

*Attorney, Agent, or Firm*—Rader, Fishman & Grauer

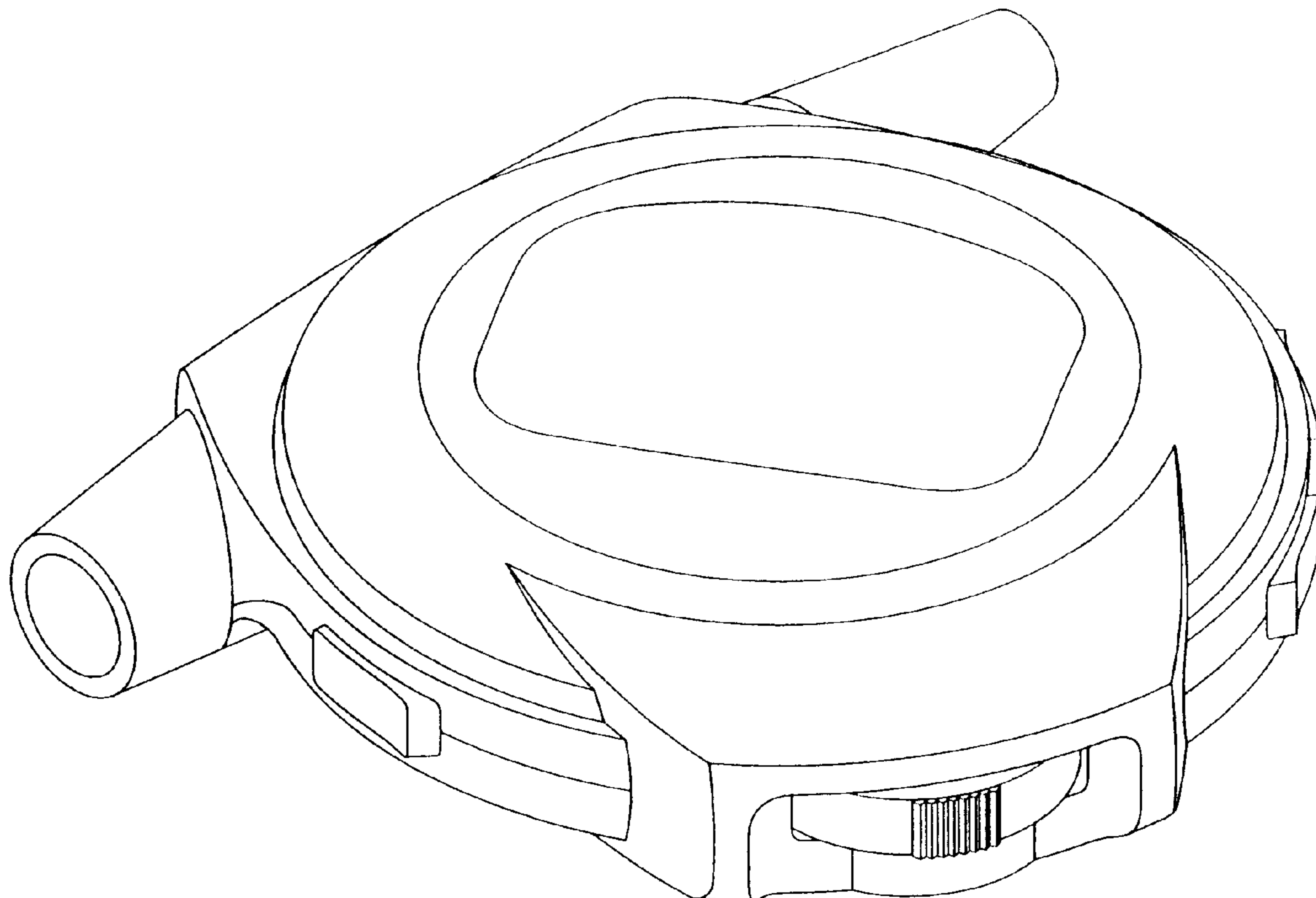
[57] **CLAIM**

The ornamental design for a remote controller for disc player, as shown and described.

**DESCRIPTION**

FIG. 1 is a perspective view of a remote controller for a disc player showing our new design;  
FIG. 2 is a top plan view thereof;  
FIG. 3 is a bottom plan view thereof;  
FIG. 4 is a left side elevational view thereof;  
FIG. 5 is a right side elevational view thereof;  
FIG. 6 is a front elevational view thereof; and,  
FIG. 7 is a rear elevational view thereof.

**1 Claim, 4 Drawing Sheets**



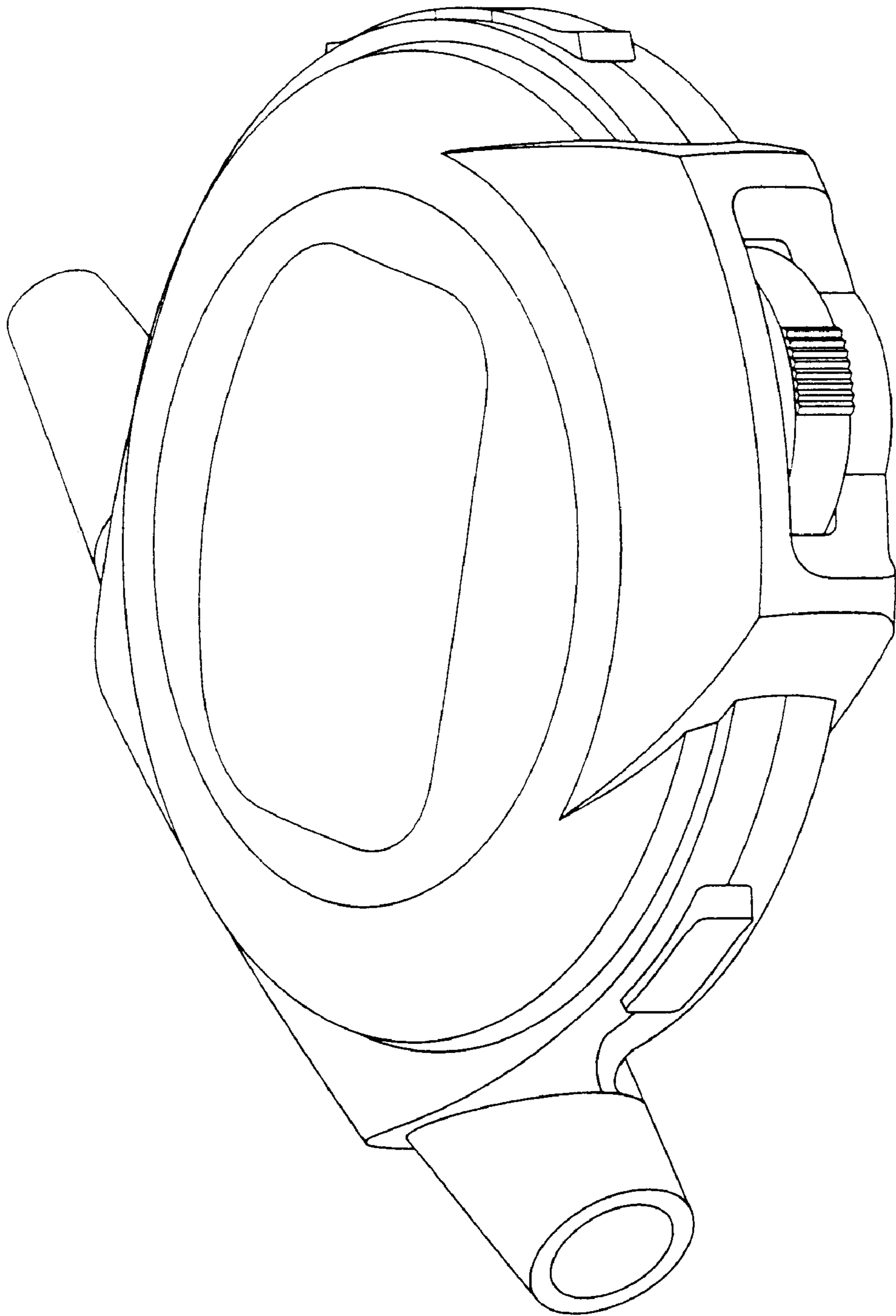


FIG. 1

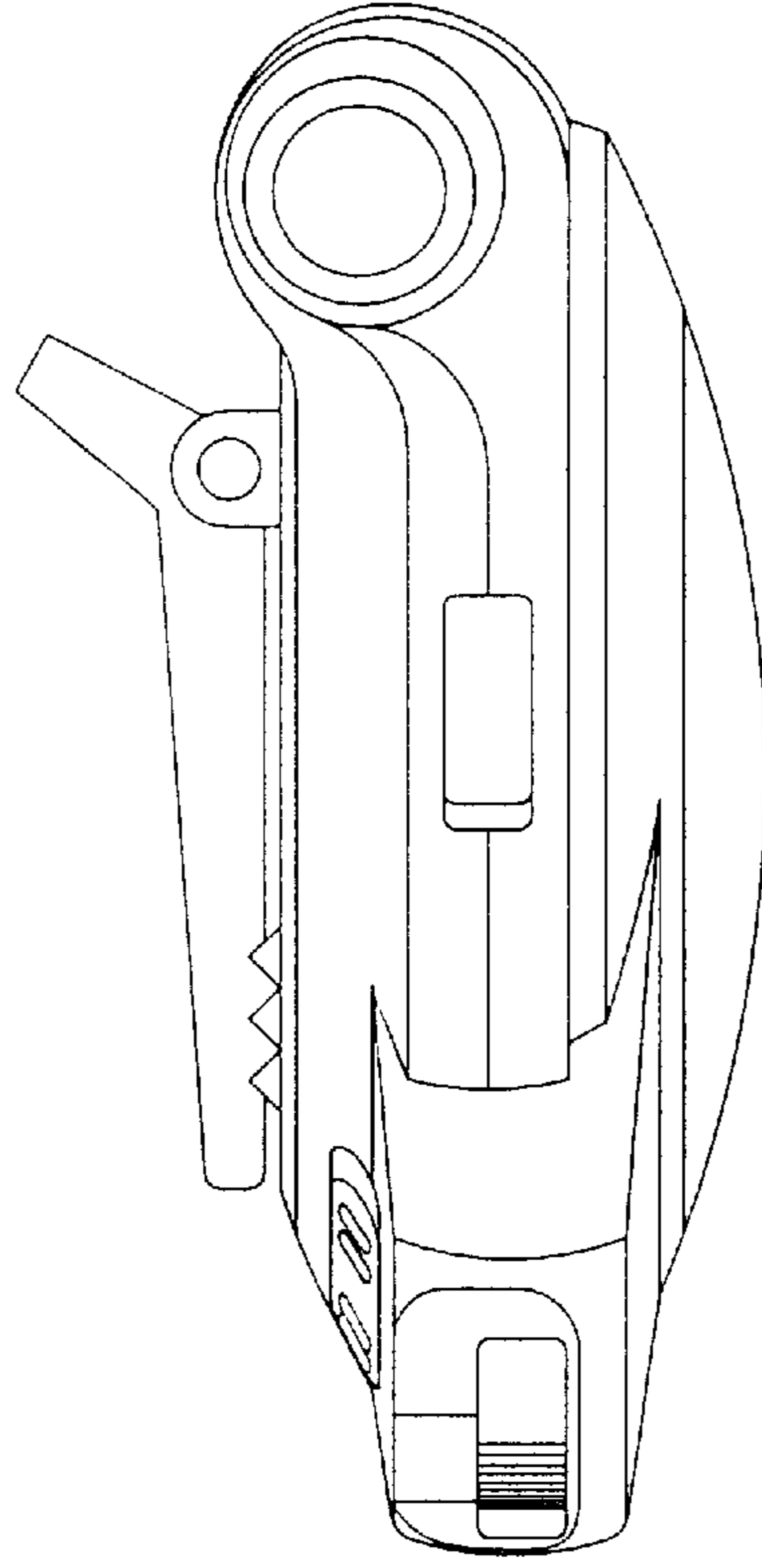


FIG. 3

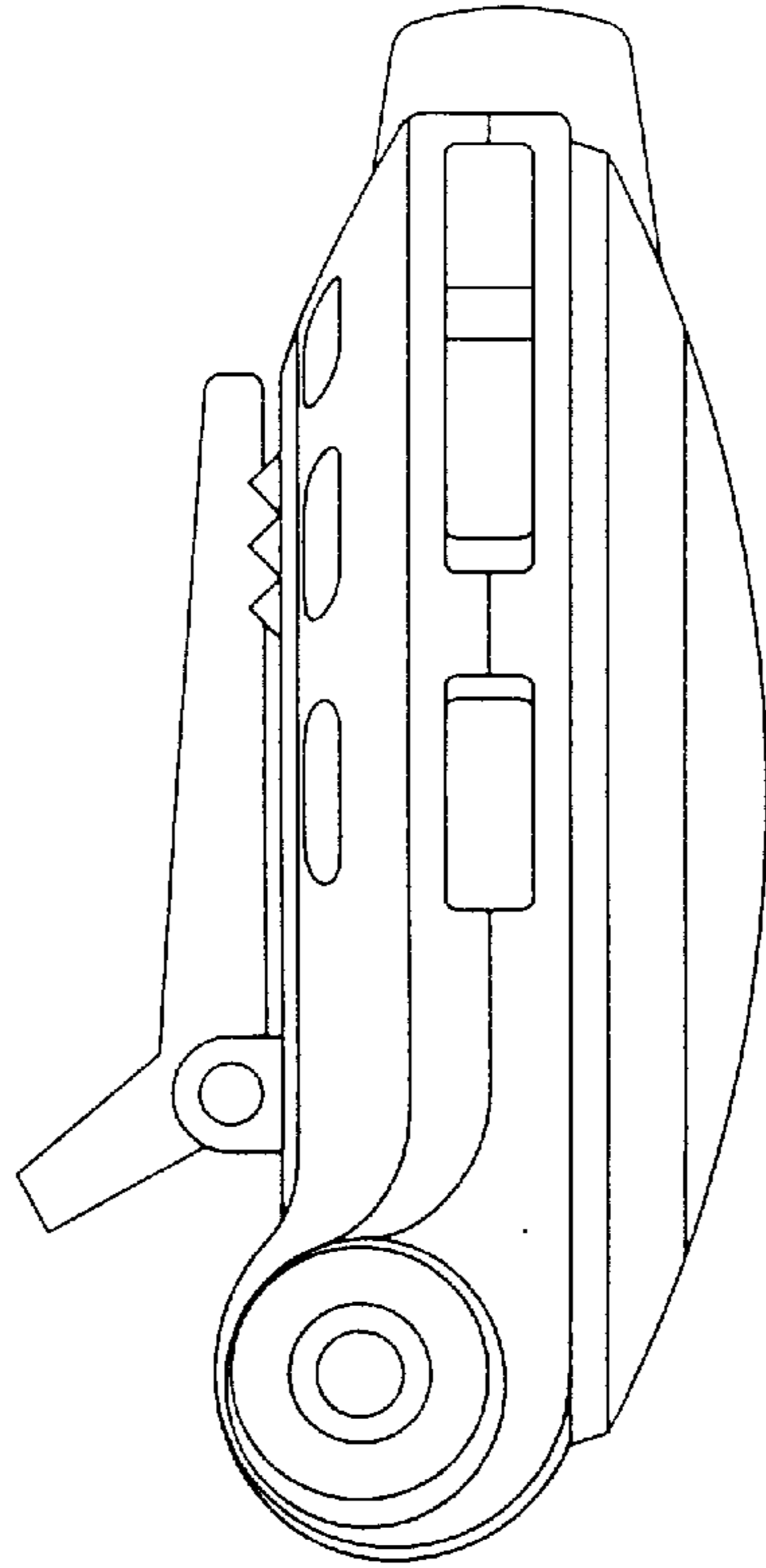


FIG. 2

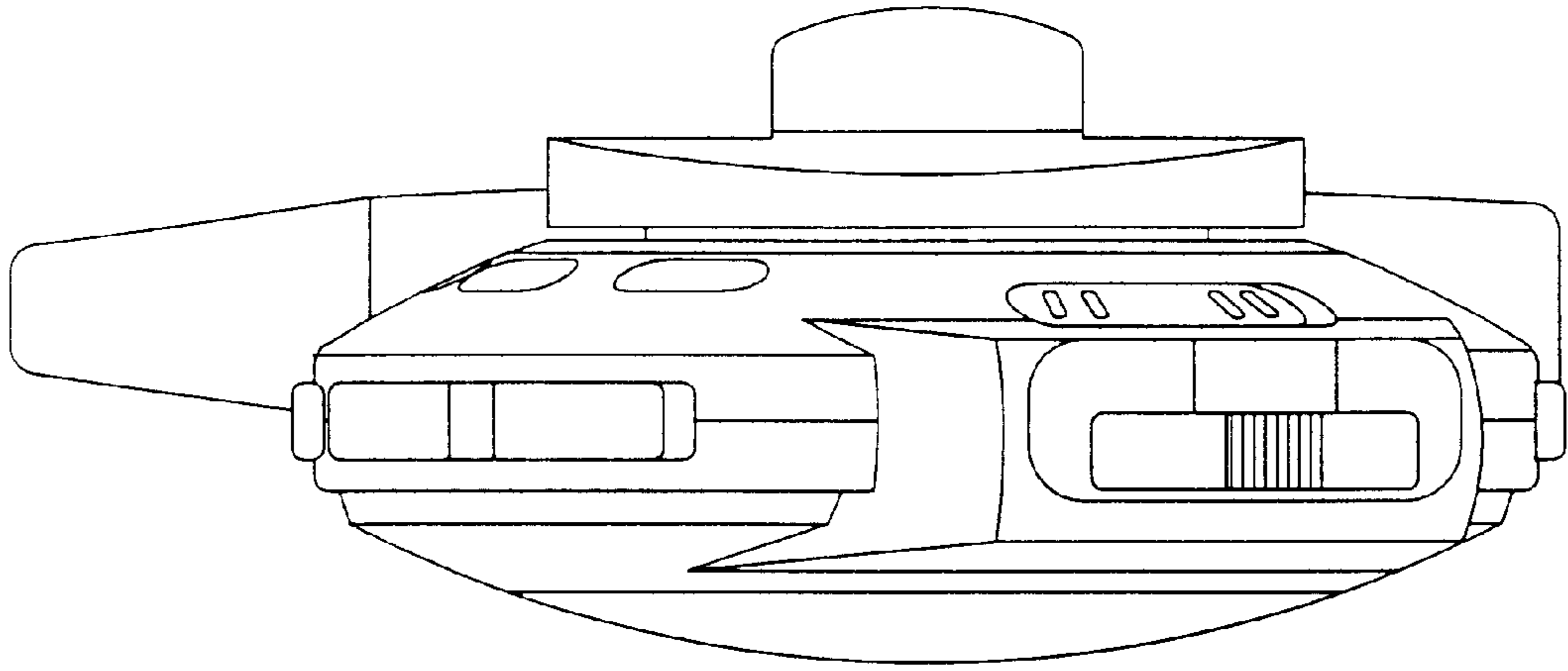


FIG. 5

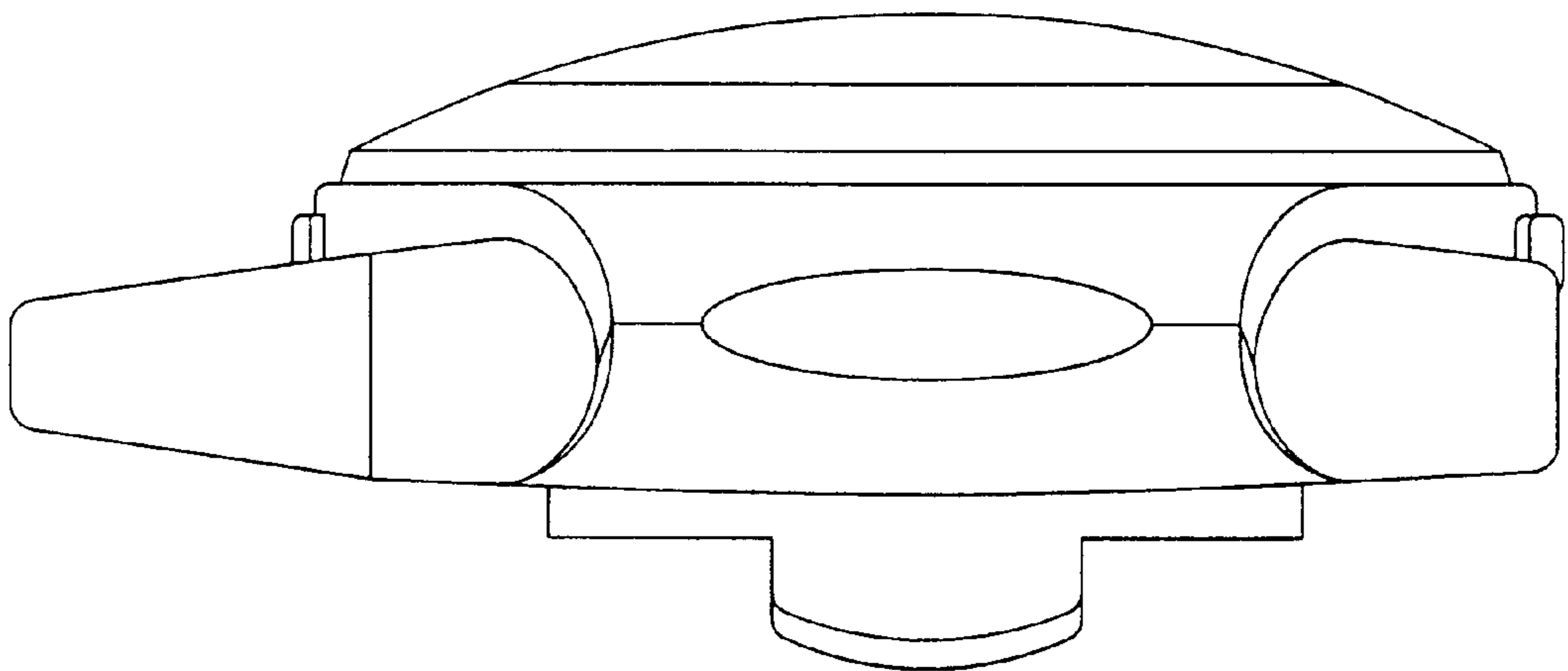


FIG. 4

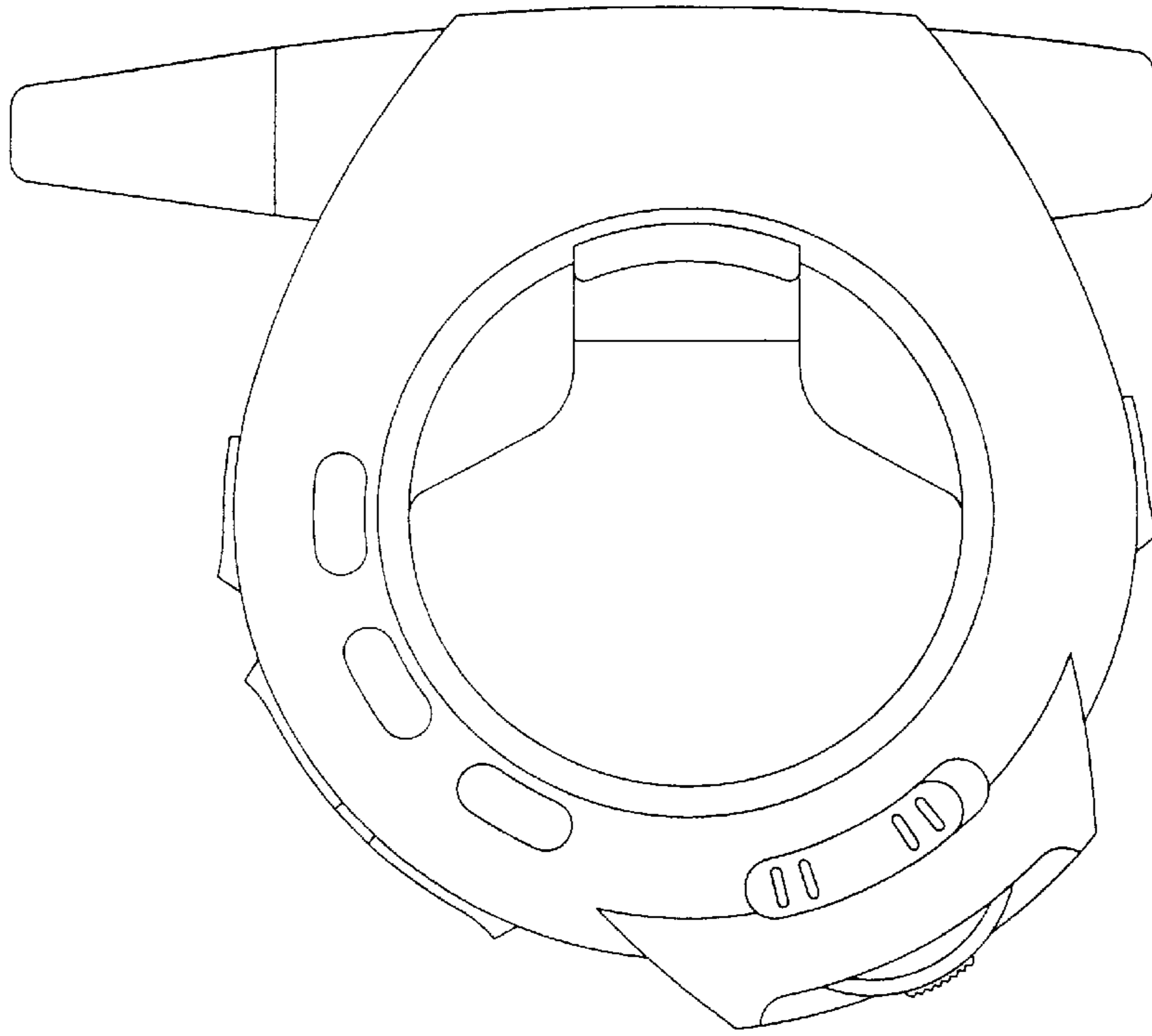


FIG. 7

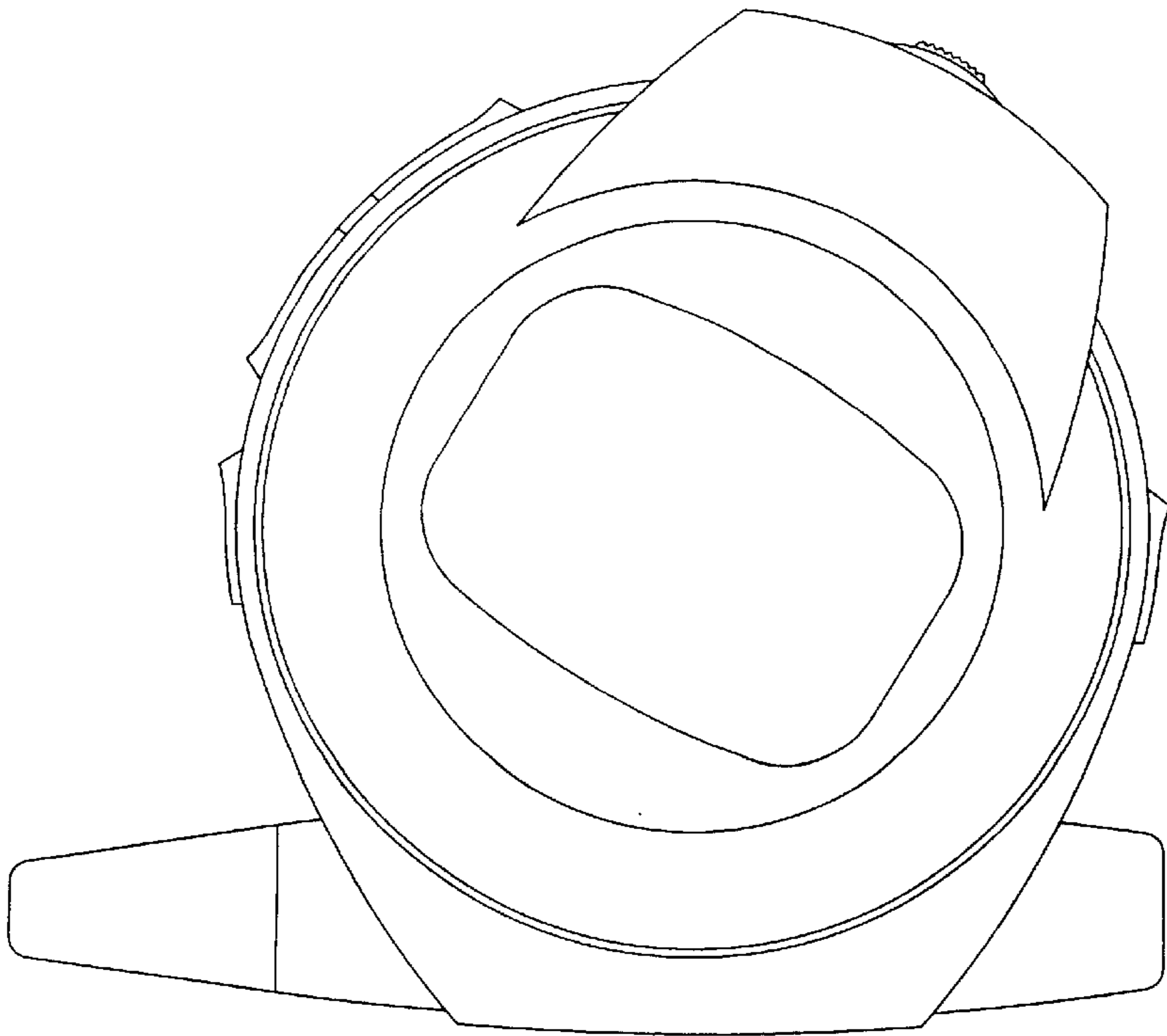


FIG. 6