



US00D435542S

United States Patent [19]

Onoda et al.

[11] Patent Number: **Des. 435,542**

[45] Date of Patent: **** Dec. 26, 2000**

[54] **REMOTE CONTROLLER**

[75] Inventors: **Hiroyuki Onoda; Motomi Katayama; Masahiro Shimamoto**, all of Yokohama, Japan

[73] Assignee: **Namco Ltd.**, Tokyo, Japan

[**] Term: **14 Years**

[21] Appl. No.: **29/109,938**

[22] Filed: **Aug. 27, 1999**

[51] **LOC (7) Cl.** **14-03**

[52] **U.S. Cl.** **D14/218; D14/401; D21/333; D21/566**

[58] **Field of Search** D14/401, 114, D14/217, 218; D21/333, 324, 566; 273/148 B; 463/1, 37, 29-35, 46, 47; 345/156, 157; 341/20, 22; 348/734; 455/151.1, 151.4, 152.1, 352-355; 200/331

[56] **References Cited**

U.S. PATENT DOCUMENTS

- D. 322,103 12/1991 Kohno D21/566
- D. 322,297 12/1991 Kohno D21/566
- D. 342,297 12/1993 Kouno D21/566

- D. 344,553 2/1994 Arai D21/566
- D. 380,783 7/1997 Tyler D14/401
- D. 393,886 4/1998 Goto D14/401
- D. 402,317 12/1998 Goto D21/333
- D. 409,183 5/1999 Chen D21/333
- D. 409,692 5/1999 DeAngelis et al. D21/566
- D. 410,914 6/1999 Tyler et al. D14/401
- D. 419,985 2/2000 LaCelle et al. D14/401
- 5,874,906 2/1999 Willner et al. 463/37

Primary Examiner—Louis S. Zarfaz
Assistant Examiner—Gregory Andoll
Attorney, Agent, or Firm—Oliff & Berridge, PLC

[57] **CLAIM**

The ornamental design for a remote controller, as shown.

DESCRIPTION

FIG. 1 is a perspective view of a remote controller showing my new design;
FIG. 2 is a front view thereof;
FIG. 3 is a rear view thereof;
FIG. 4 is a top view thereof;
FIG. 5 is a bottom view thereof;
FIG. 6 is a left-side view thereof; and,
FIG. 7 is a right-side view thereof.

1 Claim, 4 Drawing Sheets

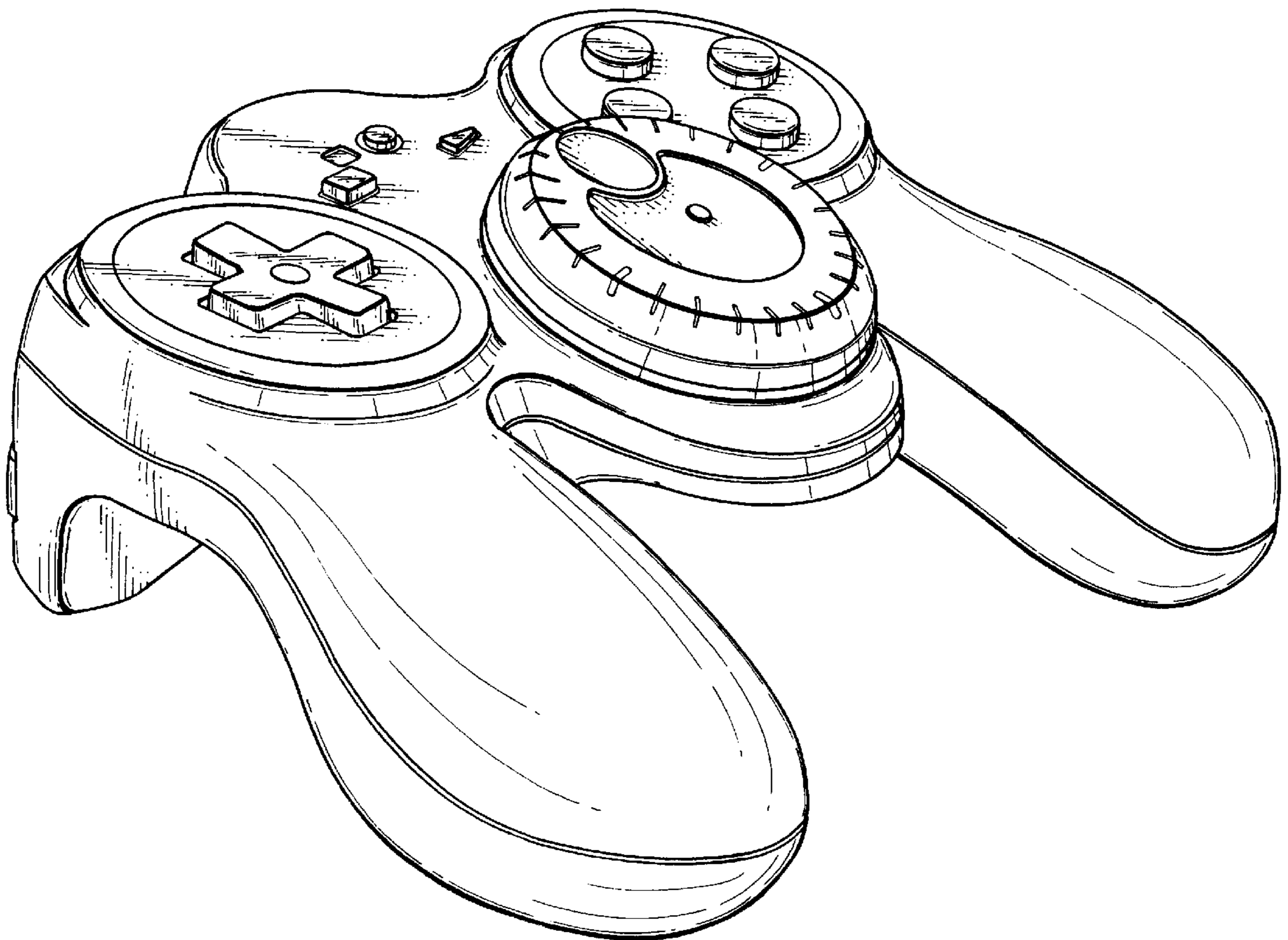


FIG. 1

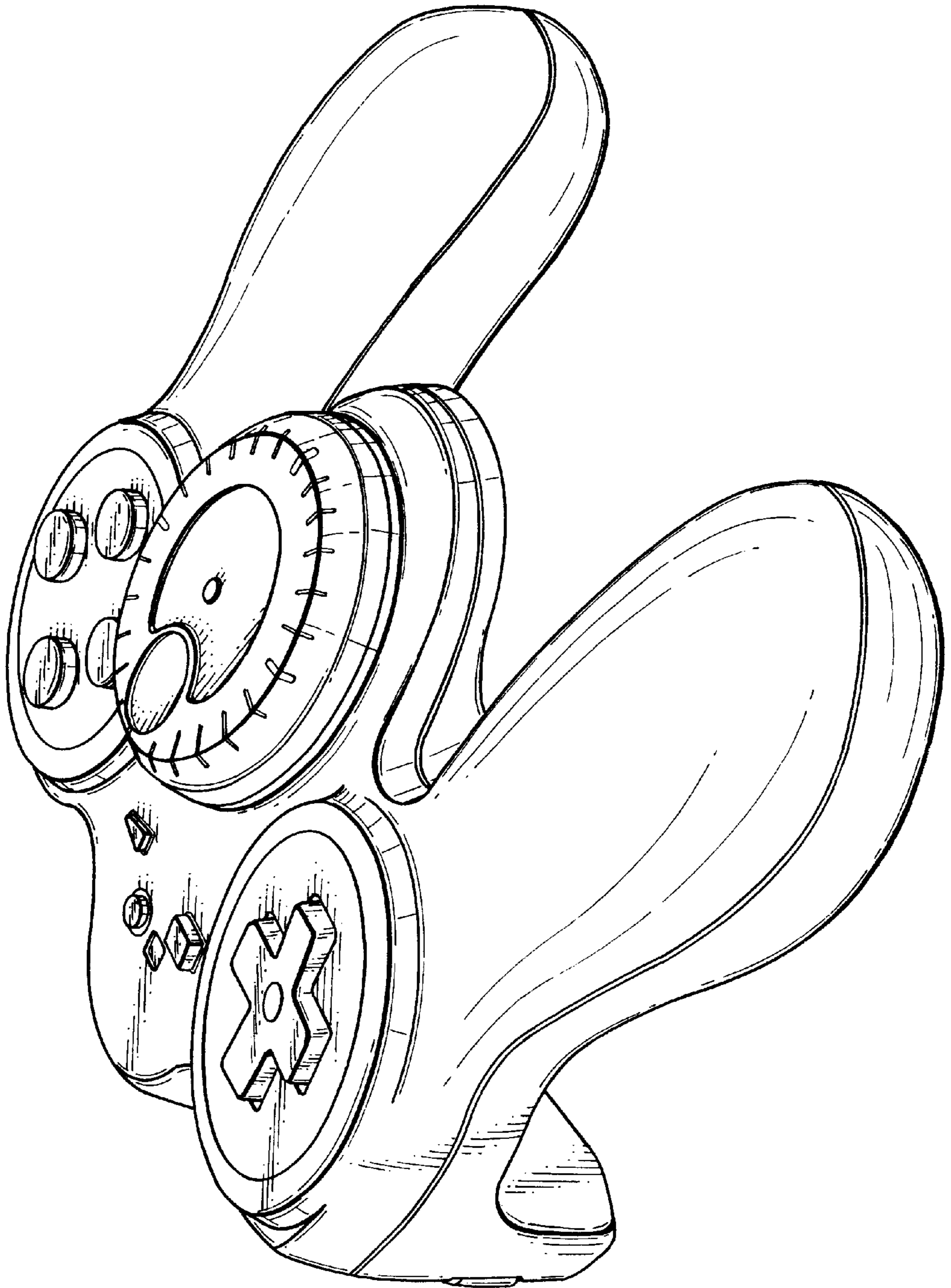


FIG. 2

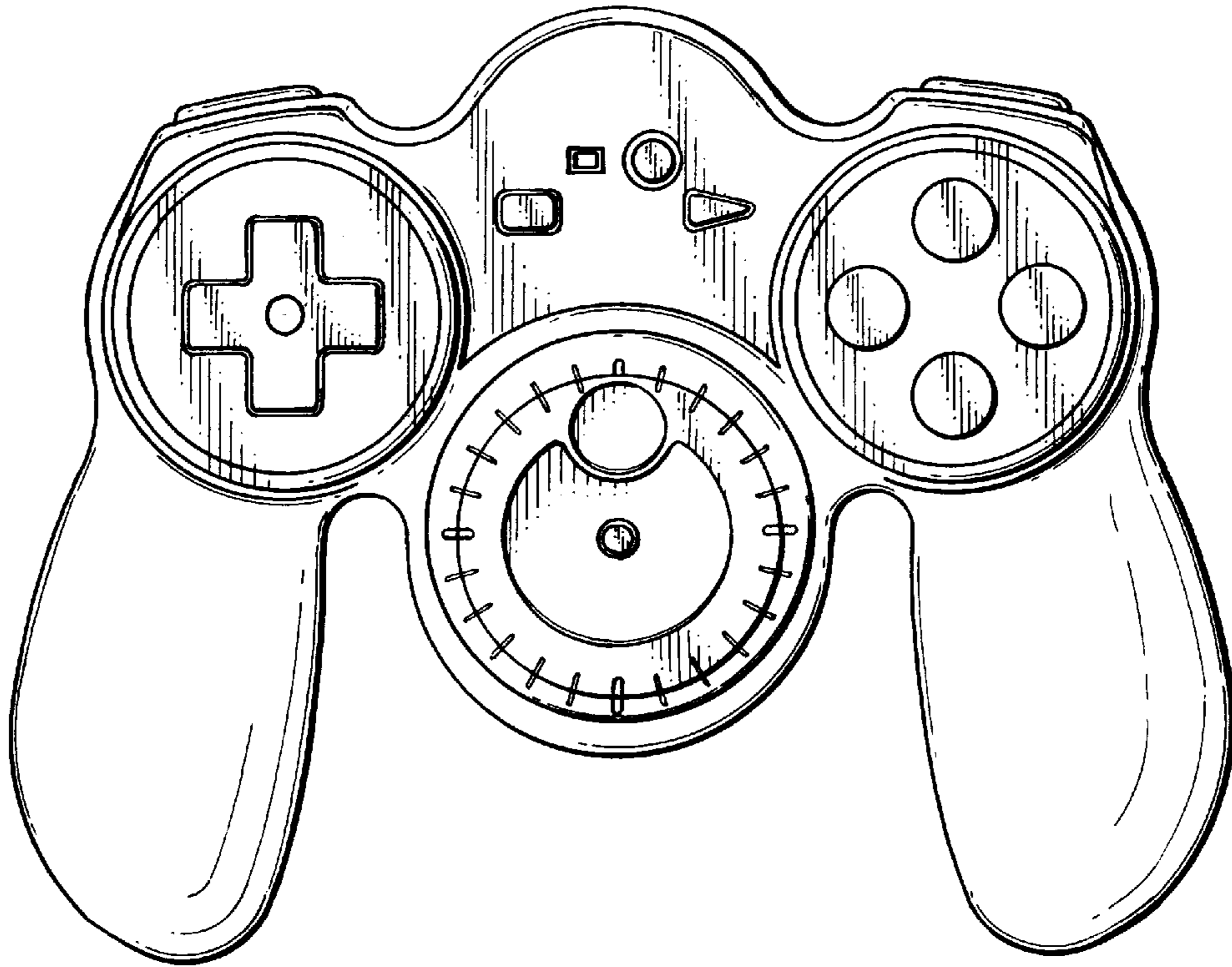


FIG. 3

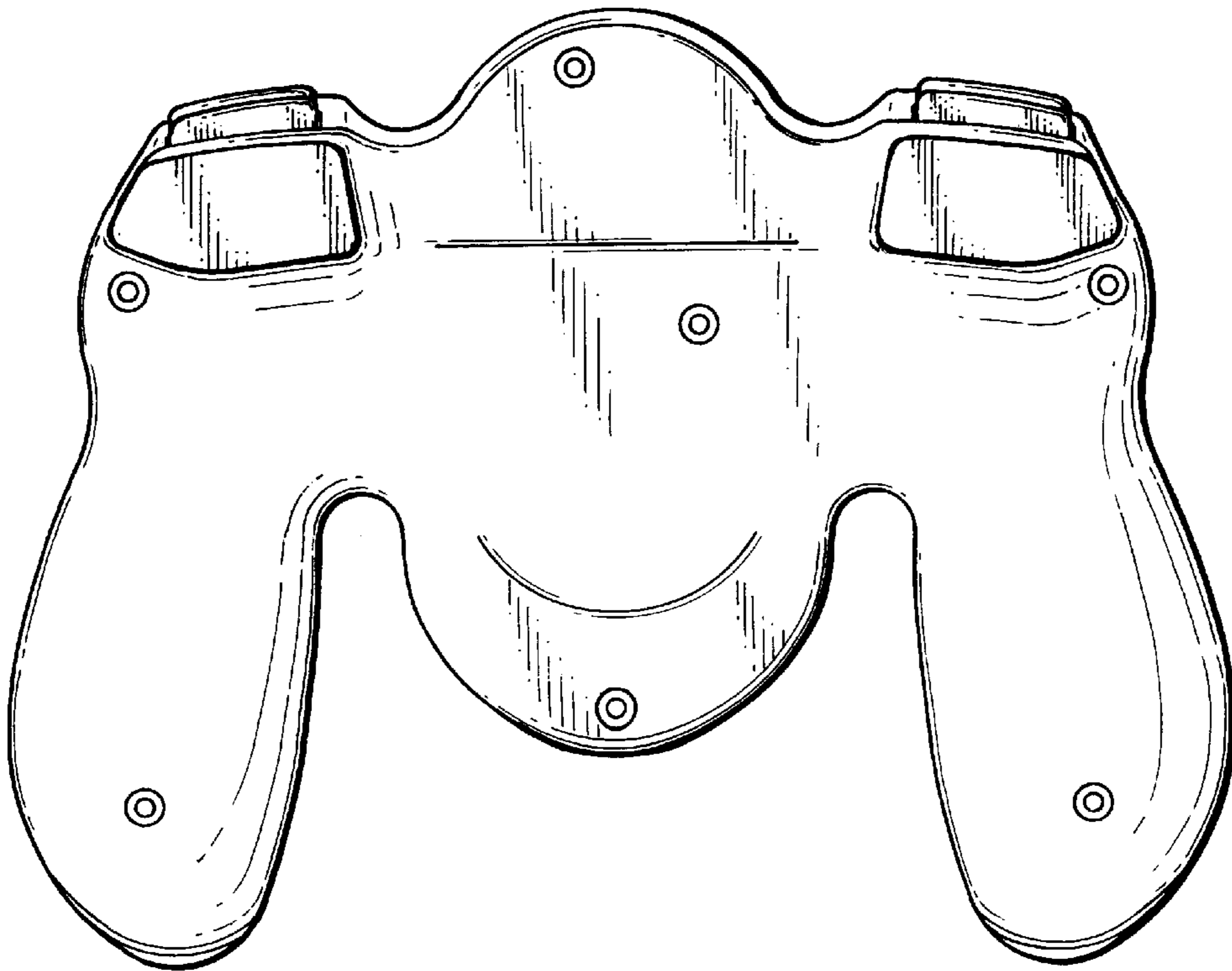


FIG. 4

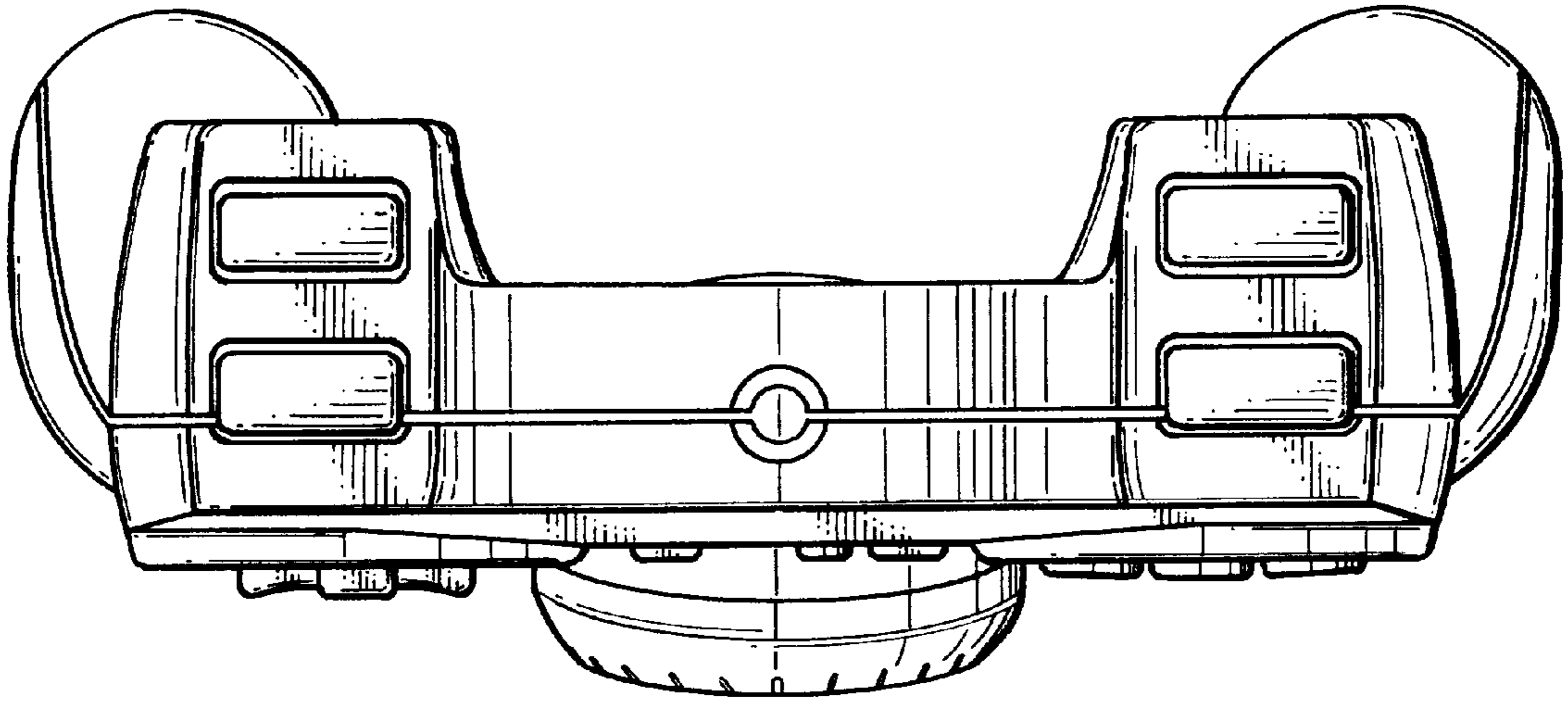


FIG. 5

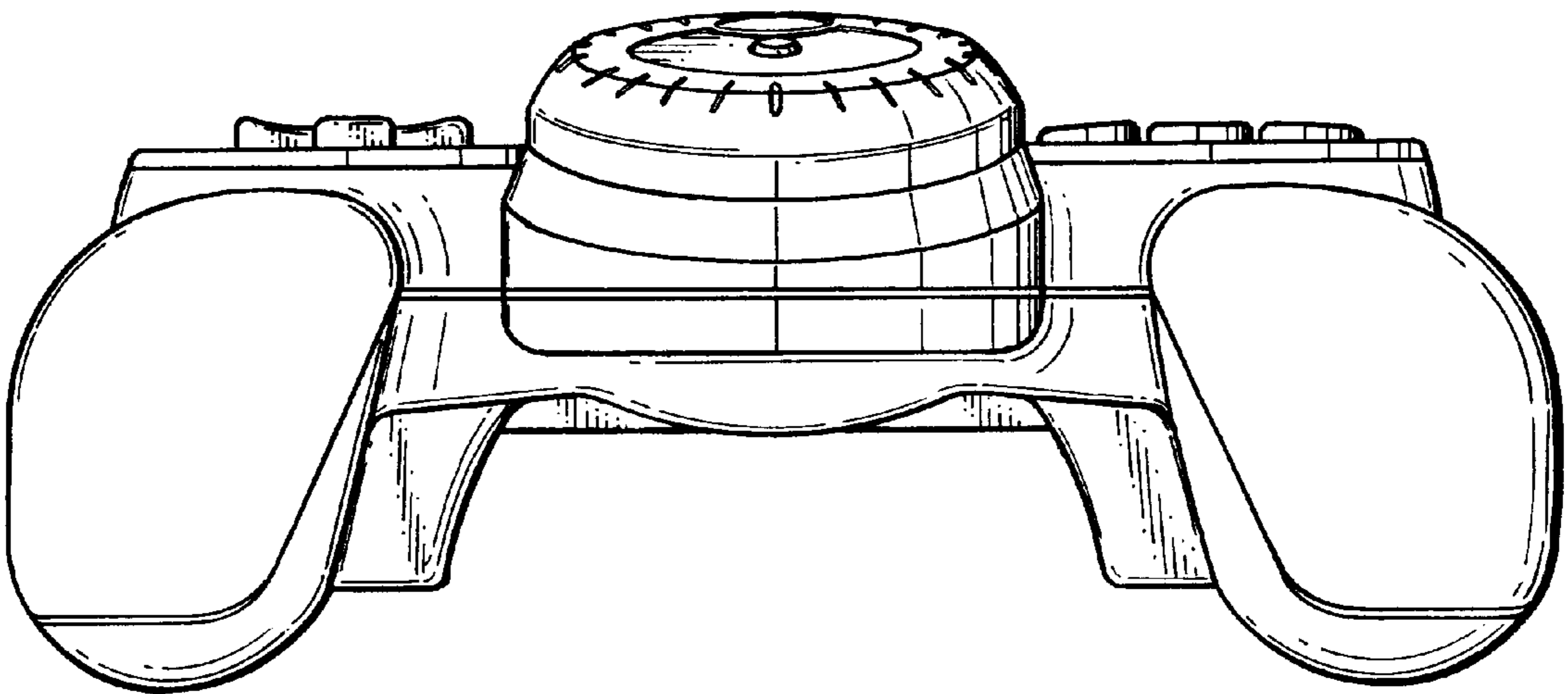


FIG. 6

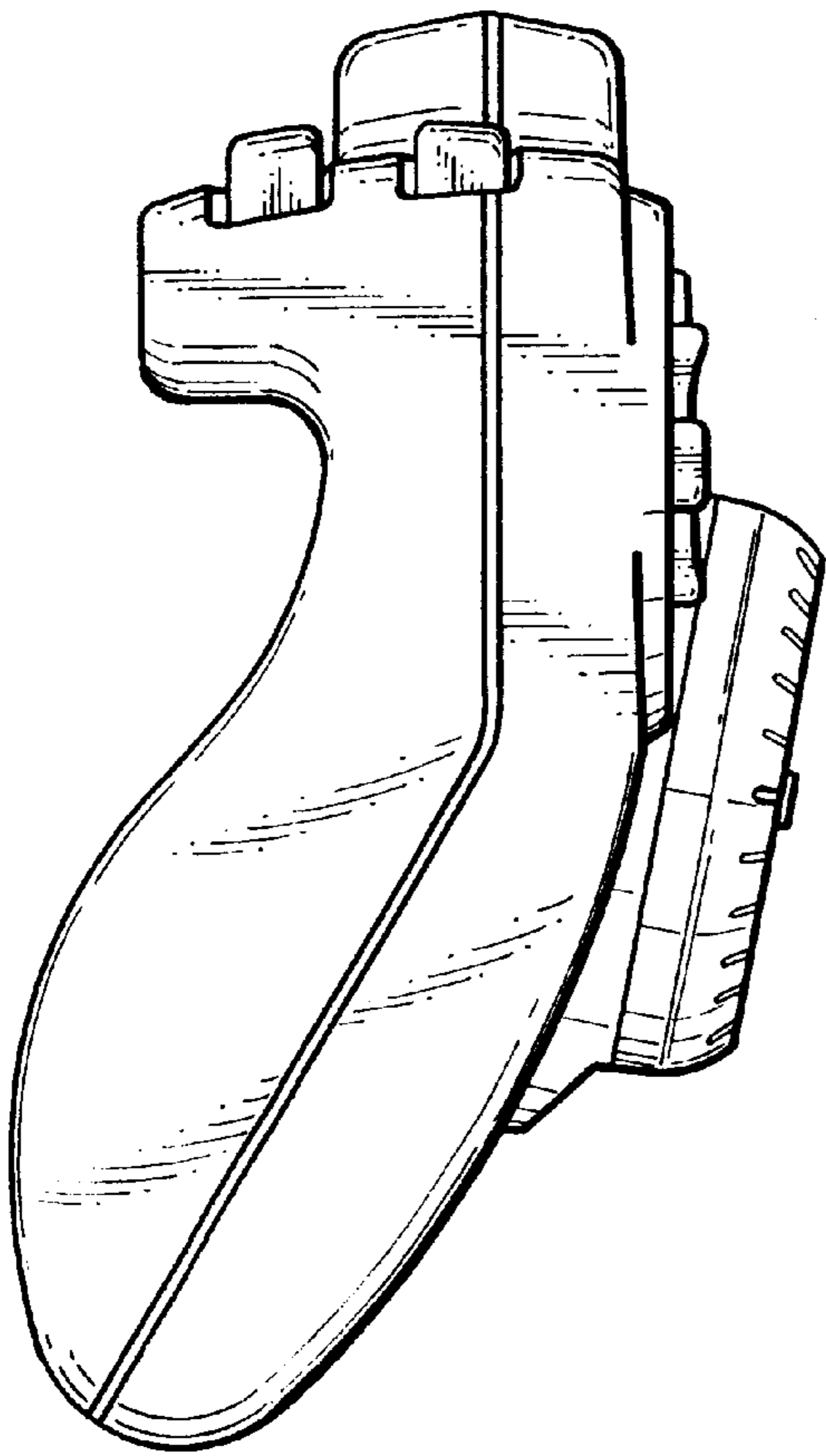


FIG. 7

