



US00D435540S

# United States Patent [19] Peng

[11] Patent Number: **Des. 435,540**

[45] Date of Patent: **\*\* Dec. 26, 2000**

[54] **SPEAKER**

[76] Inventor: **Jack Peng**, P.O. Box No. 6-57,  
Chung-Ho City, Taipei Hsien 235,  
Taiwan

[\*\*] Term: **14 Years**

[21] Appl. No.: **29/120,087**

[22] Filed: **Mar. 15, 2000**

[51] **LOC (7) Cl.** ..... **14-01**

[52] **U.S. Cl.** ..... **D14/216**

[58] **Field of Search** ..... D14/204, 210-216;  
181/144-148, 153, 157, 198, 199; 381/300-302,  
307, 359, 361, 363, 386

[56] **References Cited**

**U.S. PATENT DOCUMENTS**

D. 128,290	7/1941	Rockola	.....	D14/212
D. 211,361	6/1968	Moore	.....	D14/212
D. 247,490	3/1978	Everidge	.....	D14/212

D. 277,853	3/1985	Thomas	.....	D14/212 X
D. 354,750	1/1995	Lewis	.....	D14/211 X
D. 364,871	12/1995	Esslinger	.....	D14/211 X

**OTHER PUBLICATIONS**

Stereo Review, p. 22, Speaker, Dec. 1988.

*Primary Examiner*—Nanda Bondade

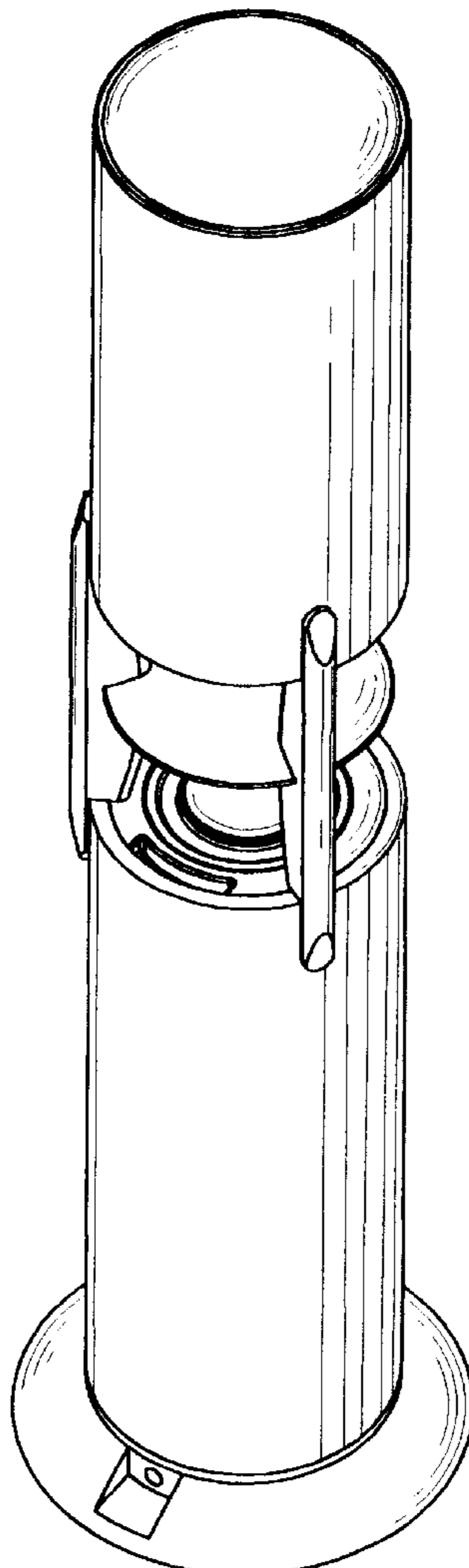
[57] **CLAIM**

The ornamental design for a speaker, as shown and described.

**DESCRIPTION**

FIG. 1 is a perspective view of a speaker;  
FIG. 2 is a front view thereof;  
FIG. 3 is a back view thereof;  
FIG. 4 is a right side view thereof;  
FIG. 5 is a left side view thereof;  
FIG. 6 is a top view thereof; and,  
FIG. 7 is a bottom view thereof.

**1 Claim, 4 Drawing Sheets**



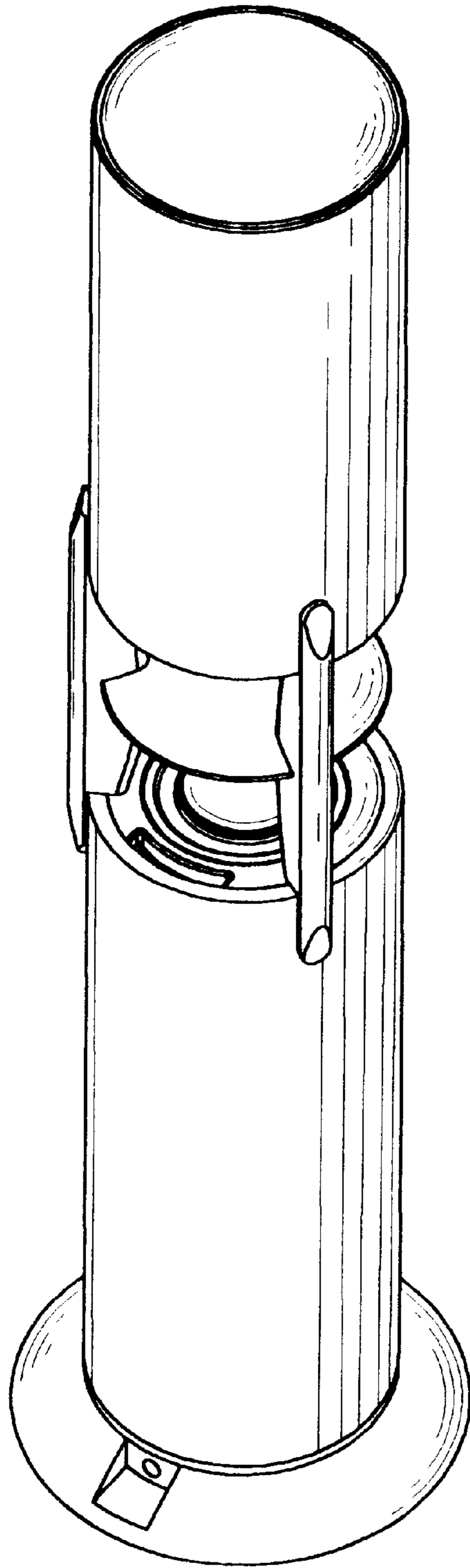


FIG. 1

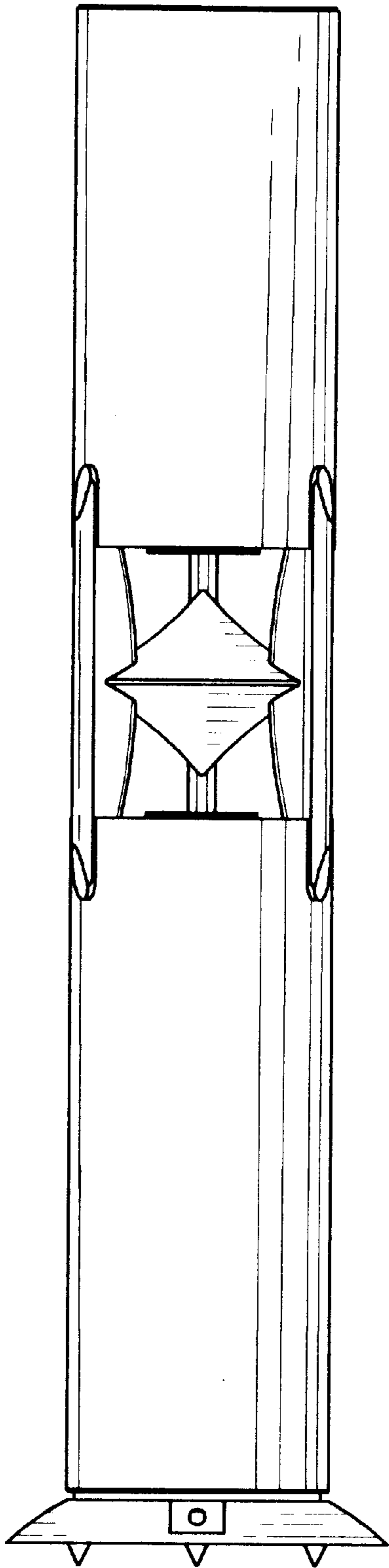


FIG. 2

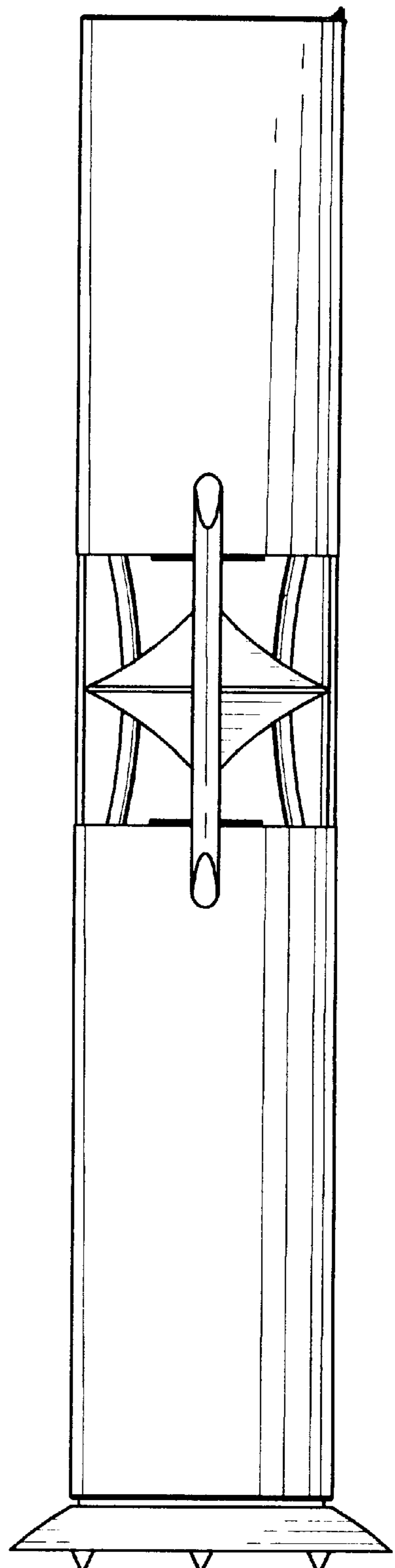


FIG. 3

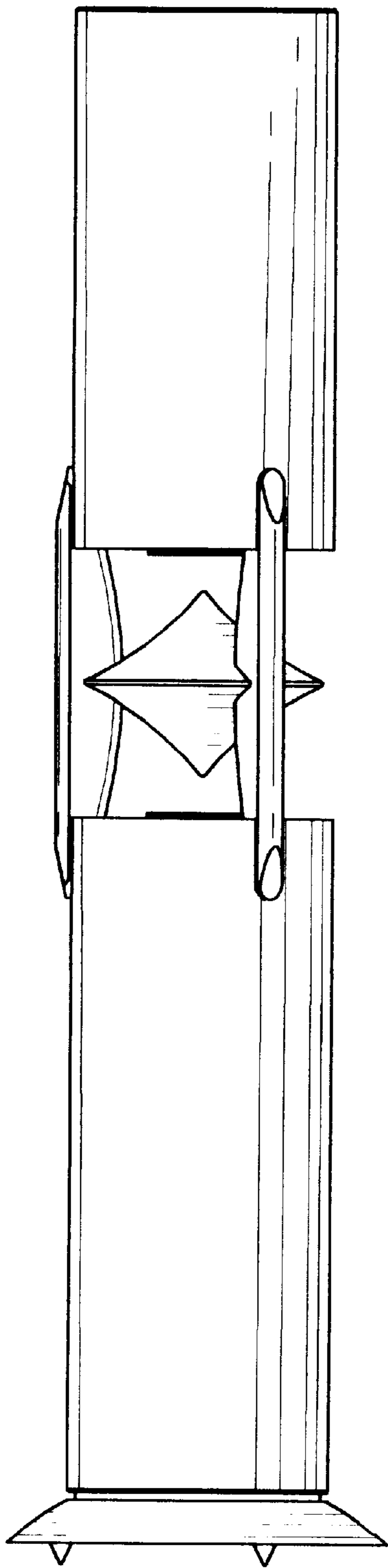


FIG. 4

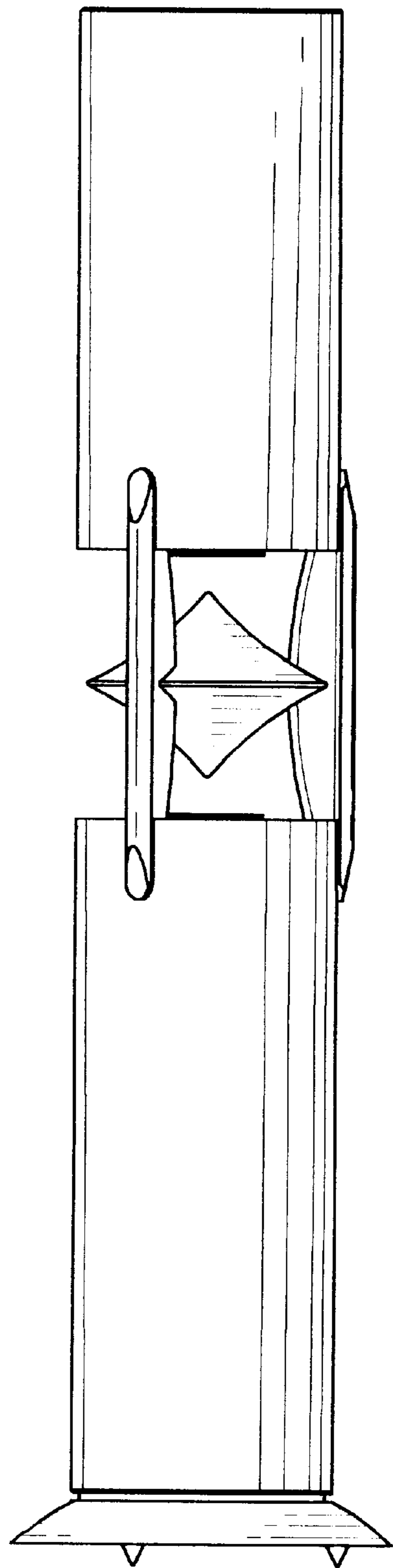


FIG. 5

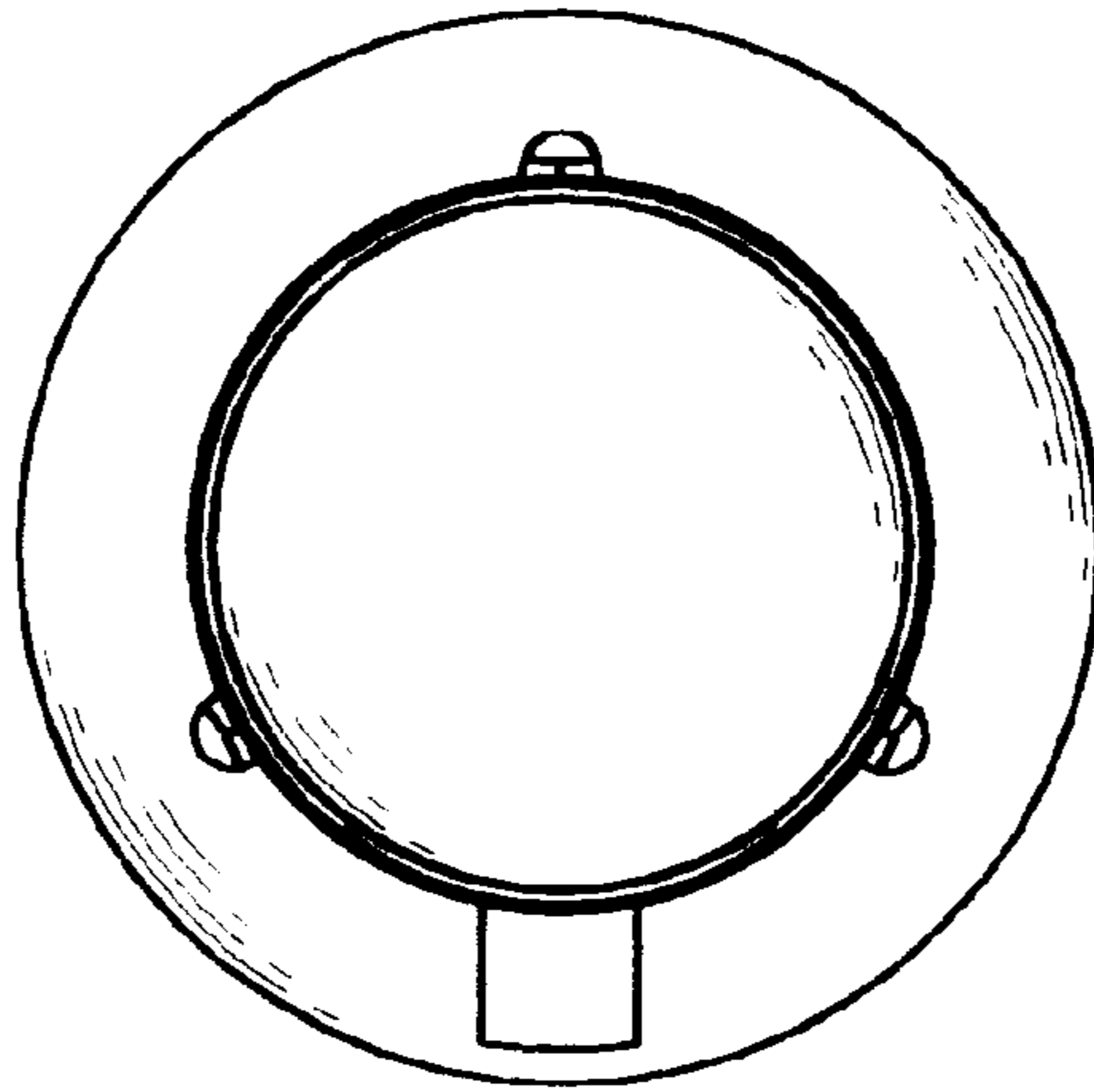


FIG. 6

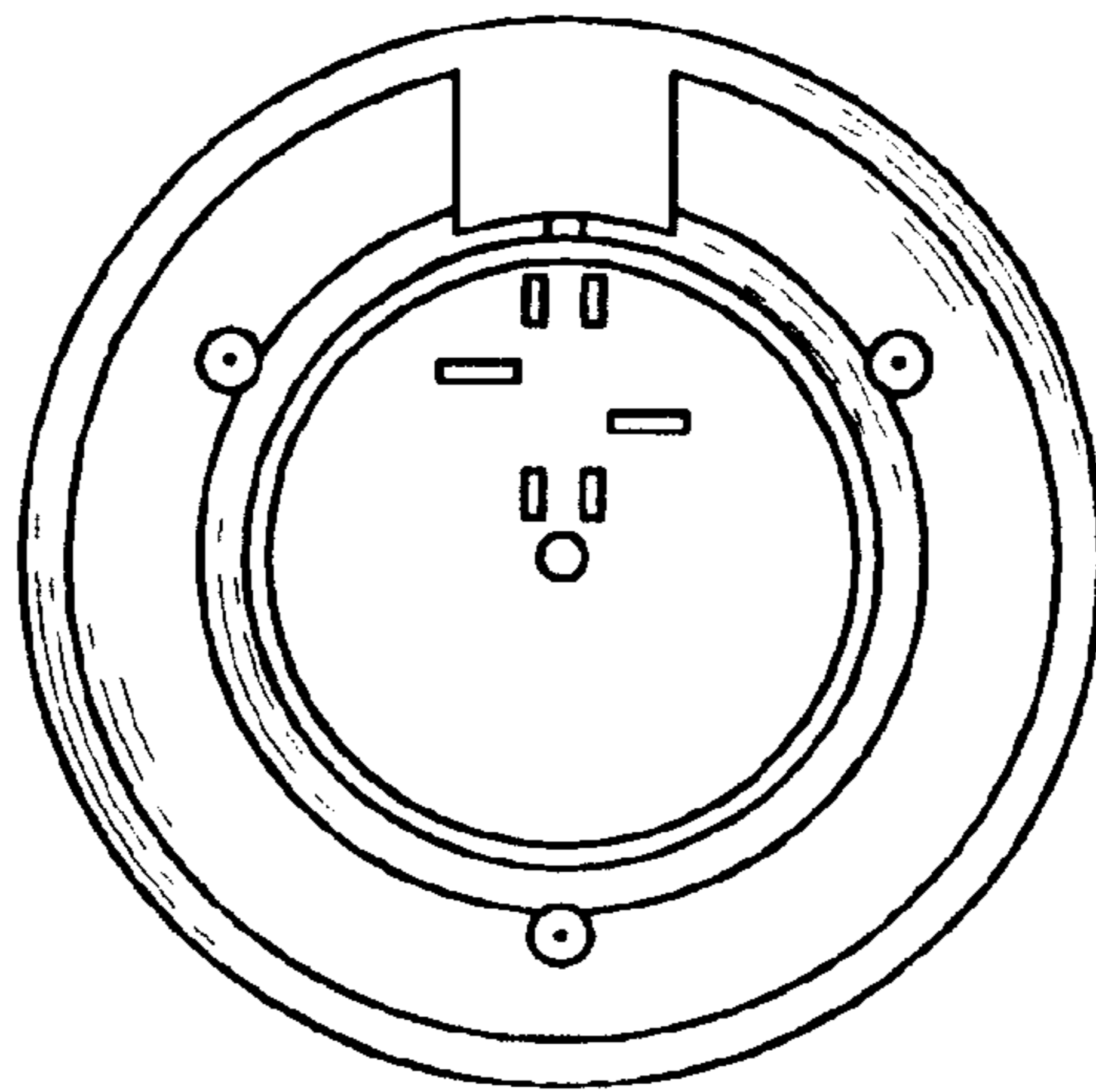


FIG. 7