



US00D435539S

United States Patent [19] Tsuge

[11] **Patent Number: Des. 435,539**

[45] **Date of Patent: ** Dec. 26, 2000**

[54] **SPEAKER BOX**

[75] Inventor: **Takahiro Tsuge**, Tokyo, Japan

[73] Assignee: **Sony Corporation**, Japan

[**] Term: **14 Years**

[21] Appl. No.: **29/117,480**

[22] Filed: **Jan. 28, 2000**

[51] **LOC (7) Cl.** **14-01**

[52] **U.S. Cl.** **D14/214**

[58] **Field of Search** D14/204, 210-216,
D14/219; 181/144-148, 150, 152, 198-199;
381/89, 182, 300-302, 307, 359, 361, 386,
395

[56] **References Cited**

U.S. PATENT DOCUMENTS

D. 352,038 11/1994 Kobayashi D14/215
D. 377,176 1/1997 Ito et al. D14/215

D. 382,270 8/1997 Metsuoka D14/214
D. 417,217 11/1999 Heath D14/214
3,233,696 2/1966 Mercurius 181/145
5,659,155 8/1997 Porzilli 181/144 X
5,937,074 8/1999 Carver 181/199

Primary Examiner—Nanda Bondade
Attorney, Agent, or Firm—Rader, Fishman&Grauer

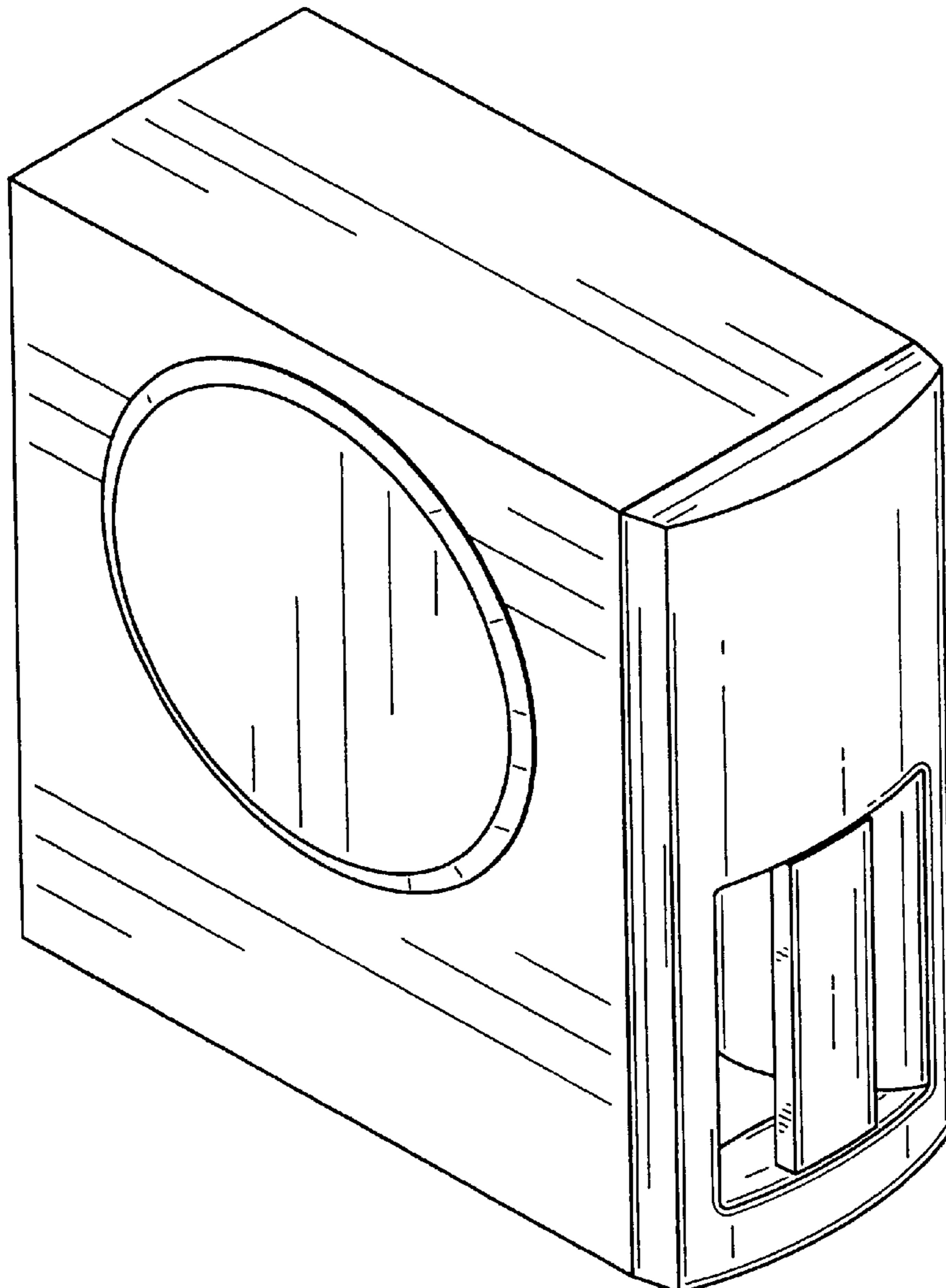
[57] **CLAIM**

The ornamental design for a speaker box, as shown and described.

DESCRIPTION

FIG. 1 is a perspective view of the front portion of a speaker box showing my design;
FIG. 2 is a top plan view thereof;
FIG. 3 is a bottom plan view thereof;
FIG. 4 is a left side elevational view thereof;
FIG. 5 is a right side elevational view thereof;
FIG. 6 is a front elevational view thereof; and,
FIG. 7 is a rear elevational view thereof.

1 Claim, 4 Drawing Sheets



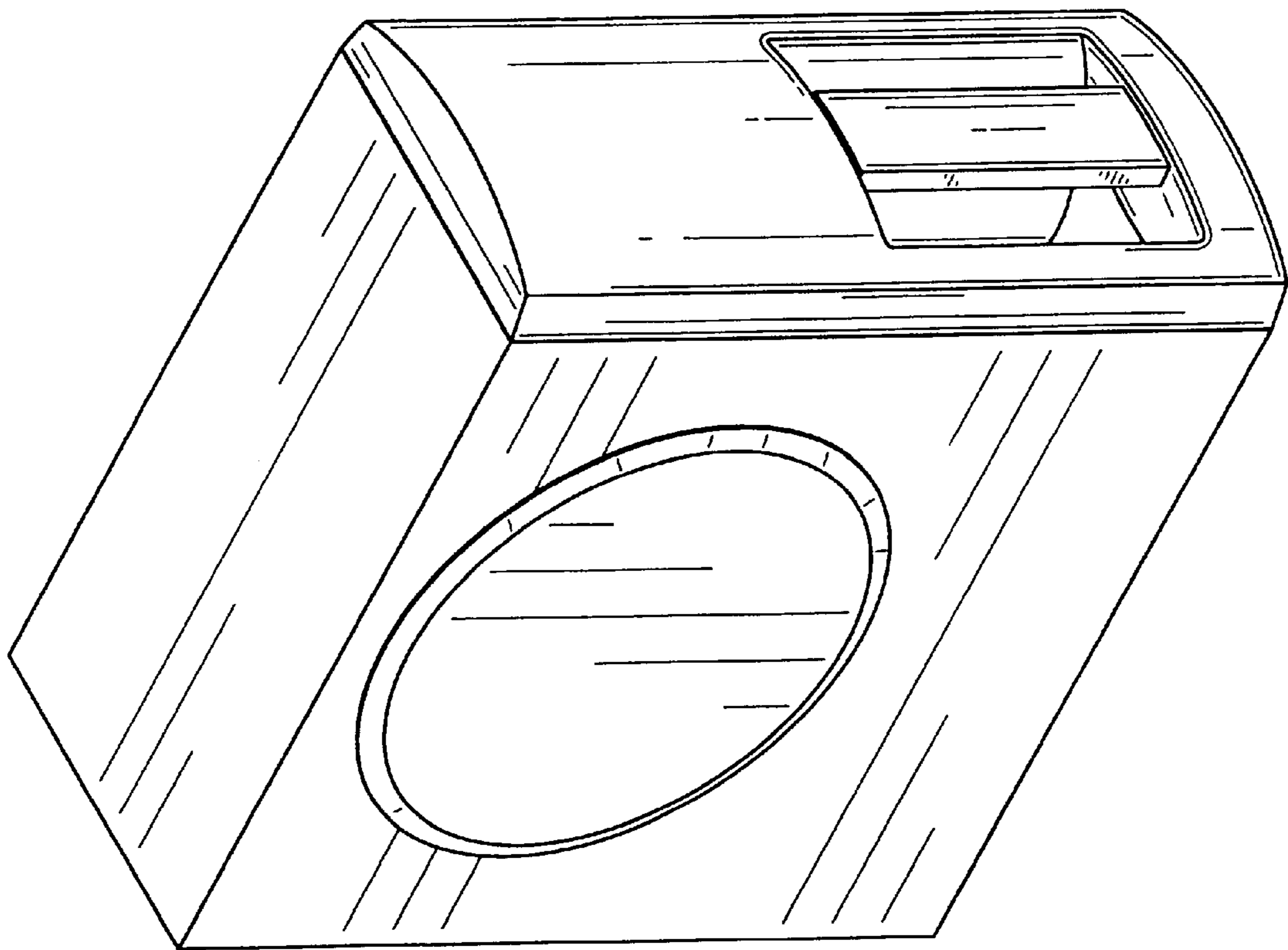


FIG. 1

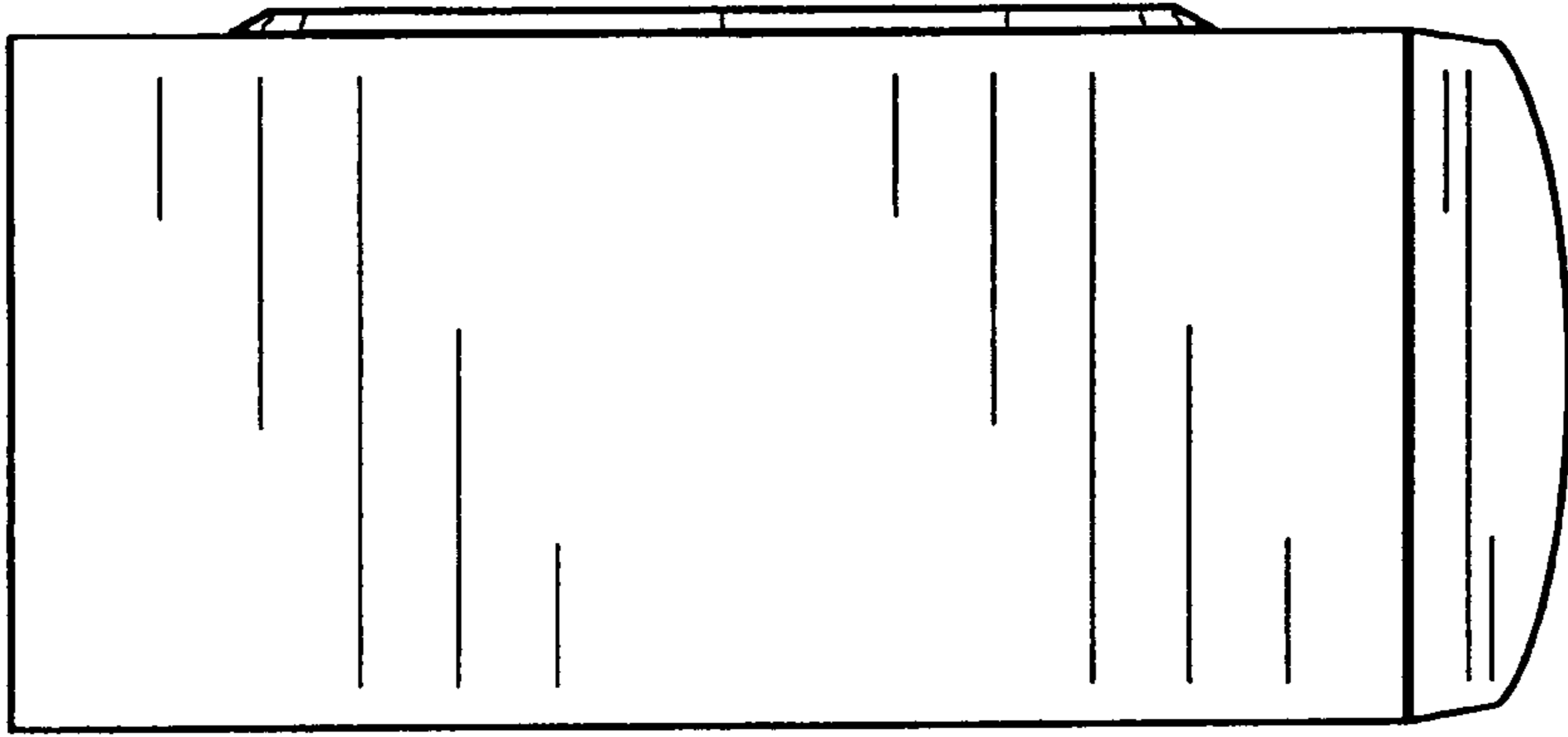


FIG. 3

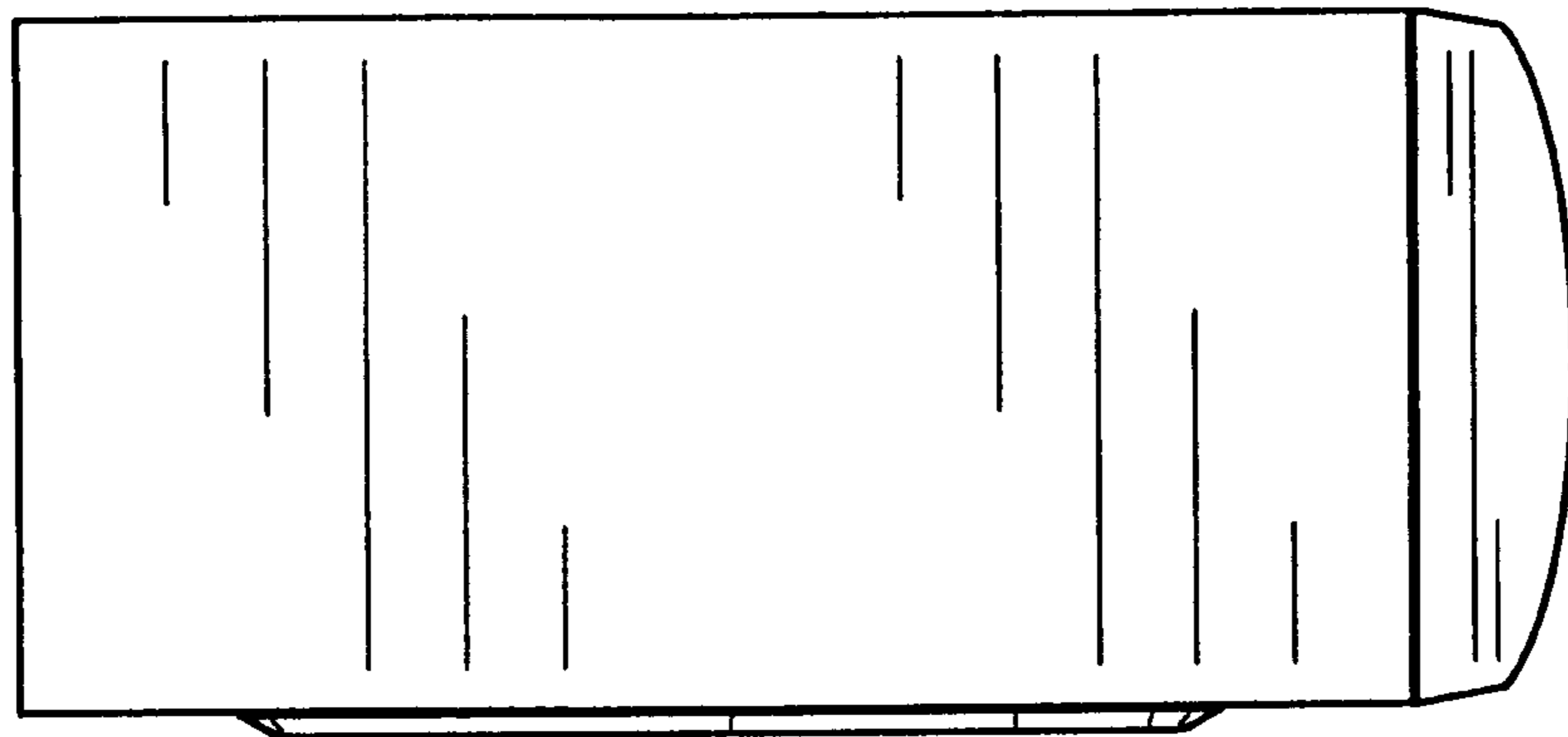


FIG. 2



FIG. 5

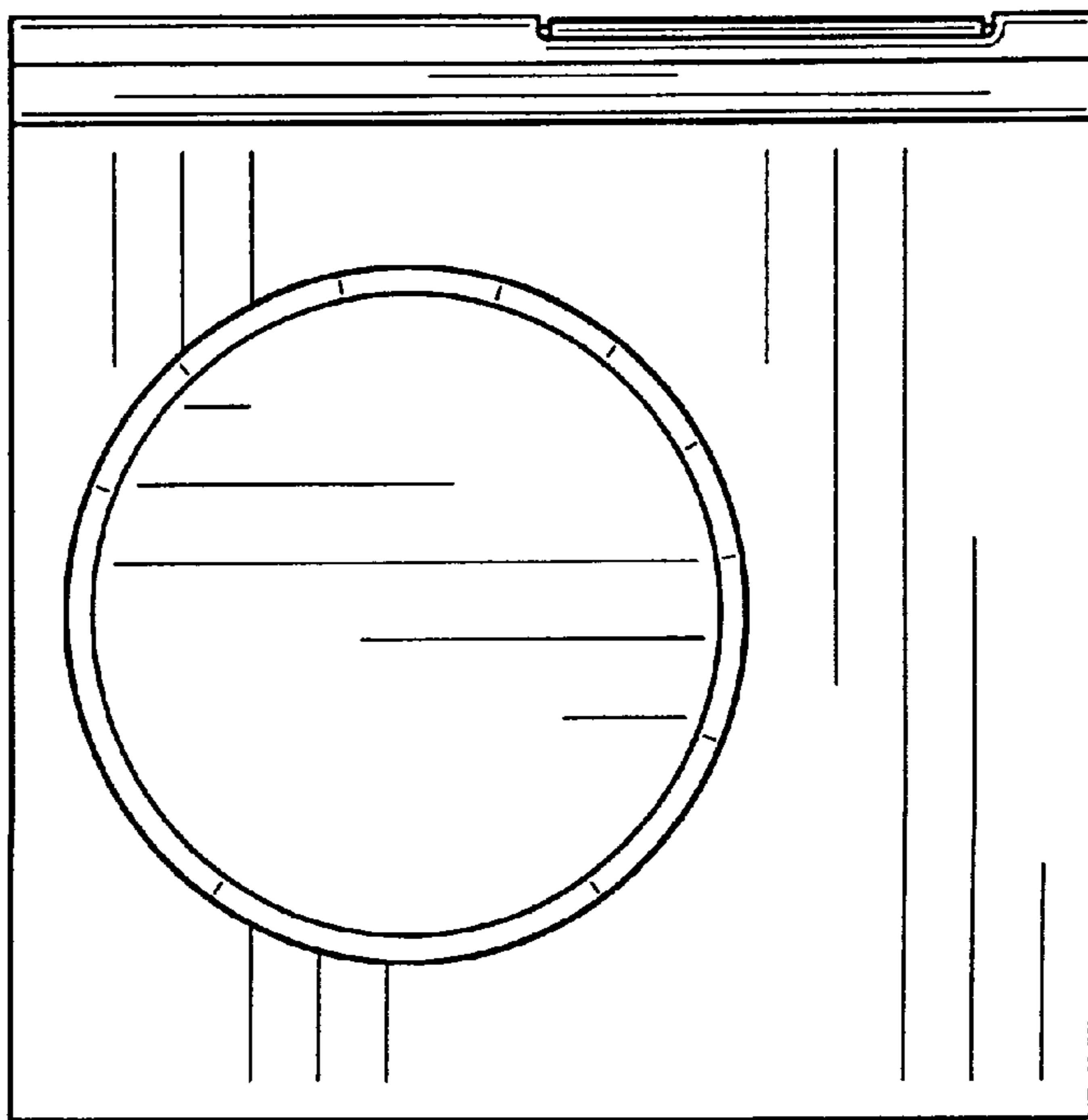


FIG. 4

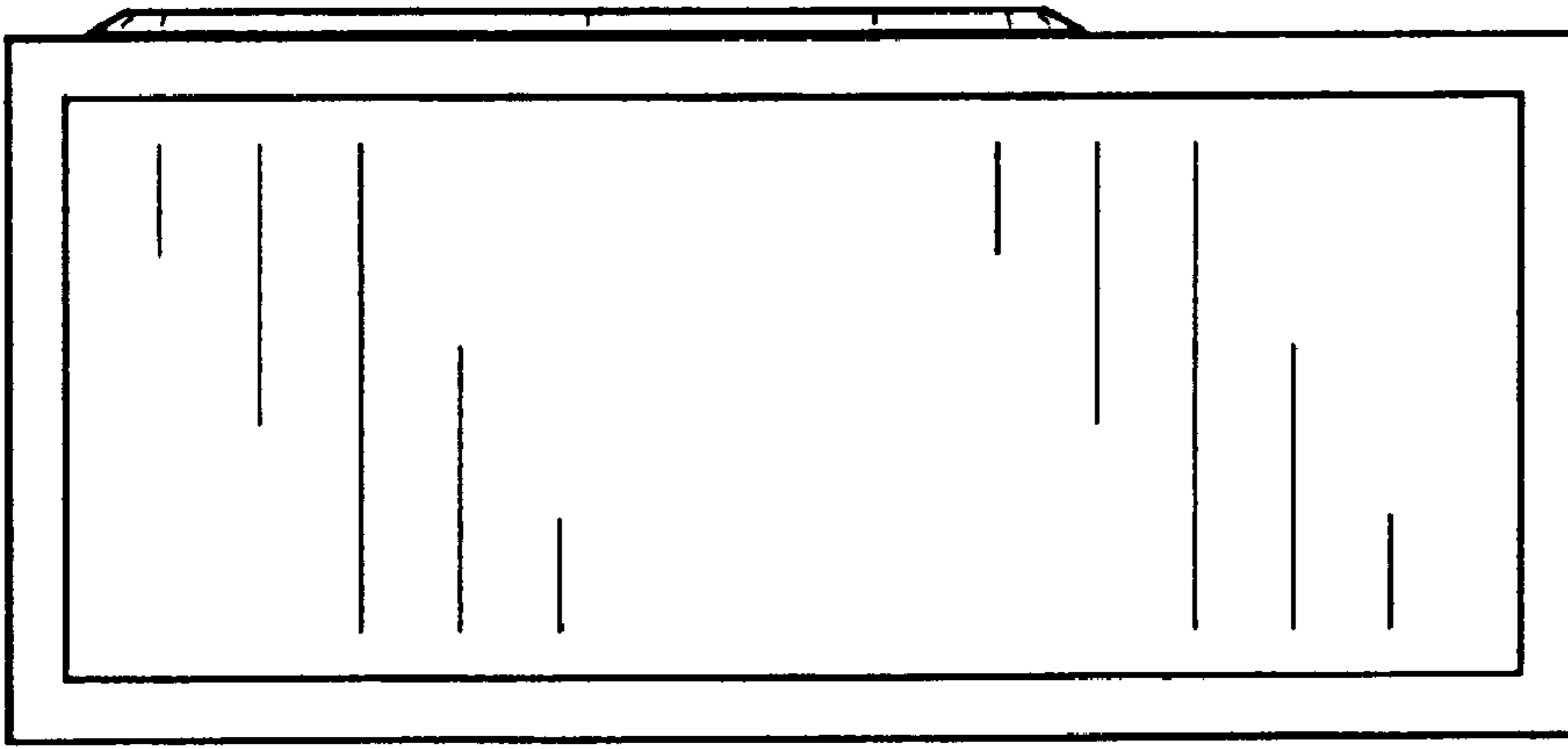


FIG. 7

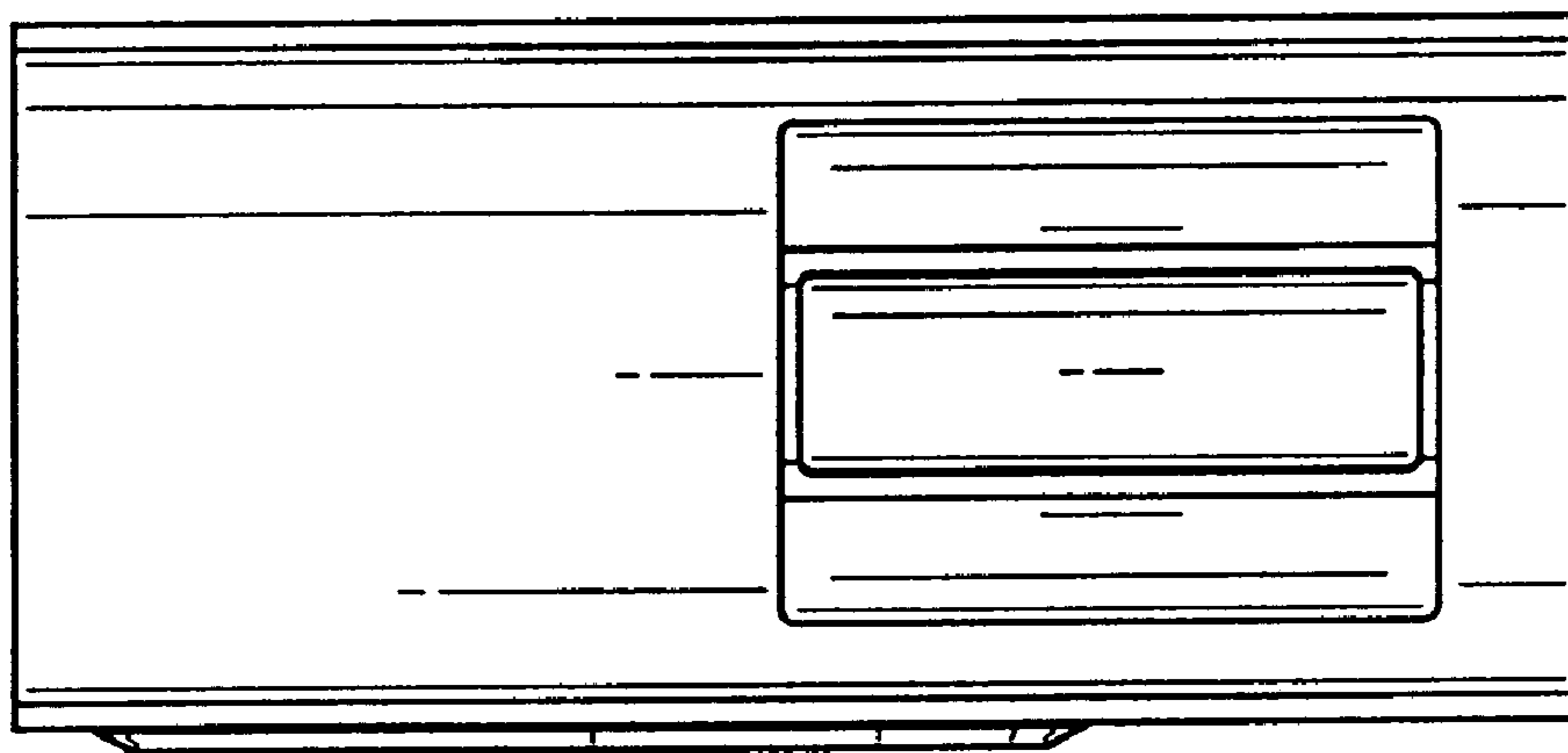


FIG. 6