



US00D435538S

# United States Patent [19] Osborne

[11] **Patent Number: Des. 435,538**

[45] **Date of Patent: \*\* Dec. 26, 2000**

[54] **TELEPHONE SPEAKER**

D. 384,353 9/1997 Nudell et al. .... D14/214  
D. 387,058 12/1997 Nudell et al. .... D14/214

[75] Inventor: **Roberta Theriault Osborne**, Cary,  
N.C.

### OTHER PUBLICATIONS

Sony Style, p. 288, stereo speaker model no. SRS-28, 1993.

[73] Assignee: **Ericsson Inc.**, Research Triangle Park,  
N.C.

*Primary Examiner*—Nanda Bondade  
*Attorney, Agent, or Firm*—Myers Bigel Sibley & Sajovec,  
P.A.

[\*\*] Term: **14 Years**

[21] Appl. No.: **29/111,241**

### [57] CLAIM

[22] Filed: **Sep. 23, 1999**

The ornamental design for a telephone speaker, as shown  
and described.

[51] **LOC (7) Cl.** ..... **14-01**

### DESCRIPTION

[52] **U.S. Cl.** ..... **D14/214**

[58] **Field of Search** ..... D14/204, 210-216,  
D14/219; 181/144-148, 150, 152, 198-199;  
381/89, 182, 300-302, 307, 359, 361, 386,  
395

FIG. 1 is a front view of a telephone speaker showing my  
design;

FIG. 2 is a back view thereof;

FIG. 3 is a side view thereof;

FIG. 4 is an opposite side view thereof;

FIG. 5 is a top view thereof;

FIG. 6 is a bottom view thereof; and,

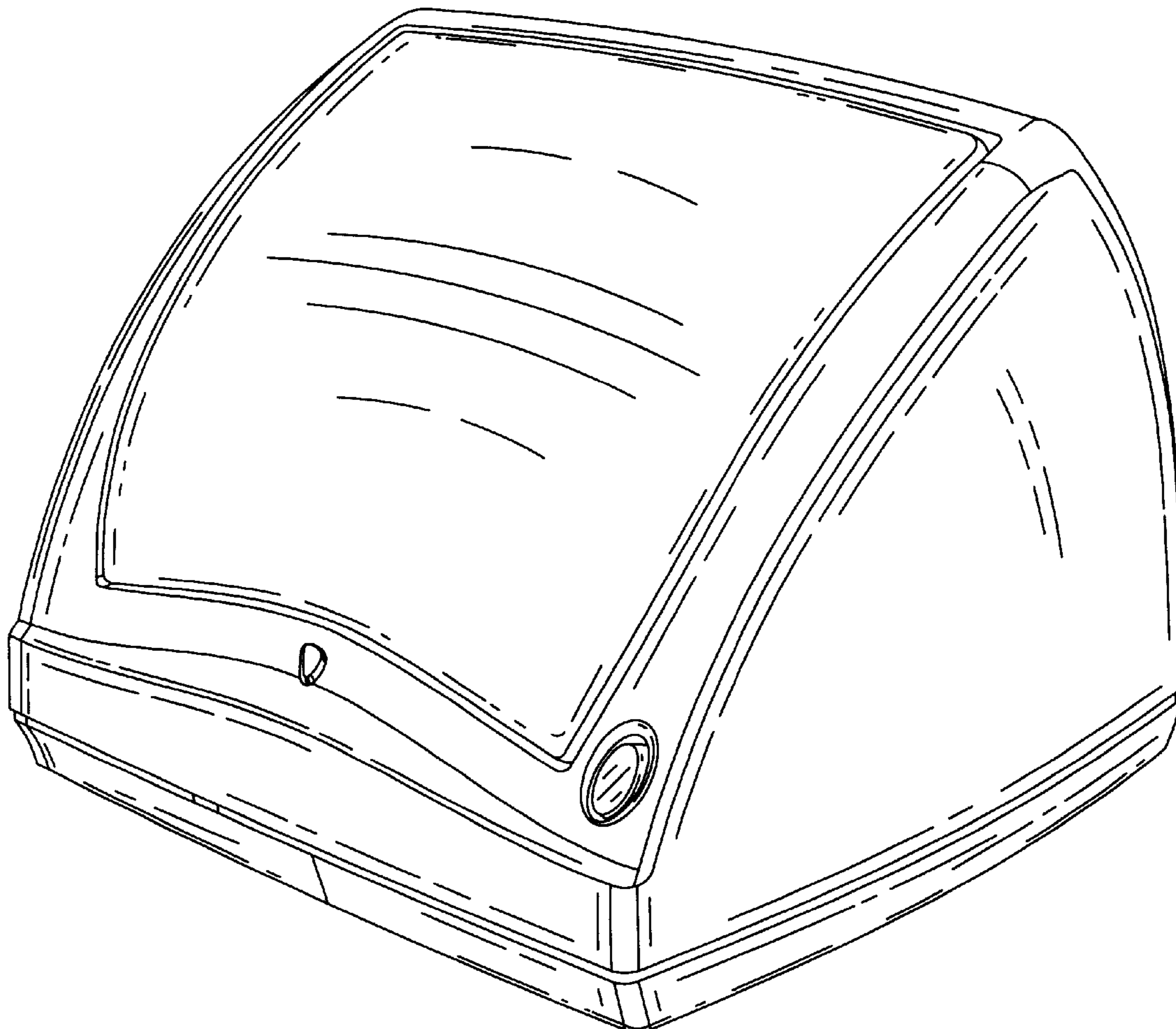
FIG. 7 is a front perspective view thereof.

### [56] References Cited

#### U.S. PATENT DOCUMENTS

D. 318,054 7/1991 Kikutani ..... D14/214  
D. 348,267 6/1994 Yurkonis et al. .... D14/214  
D. 359,050 6/1995 Deguchi ..... D14/215 X

**1 Claim, 4 Drawing Sheets**



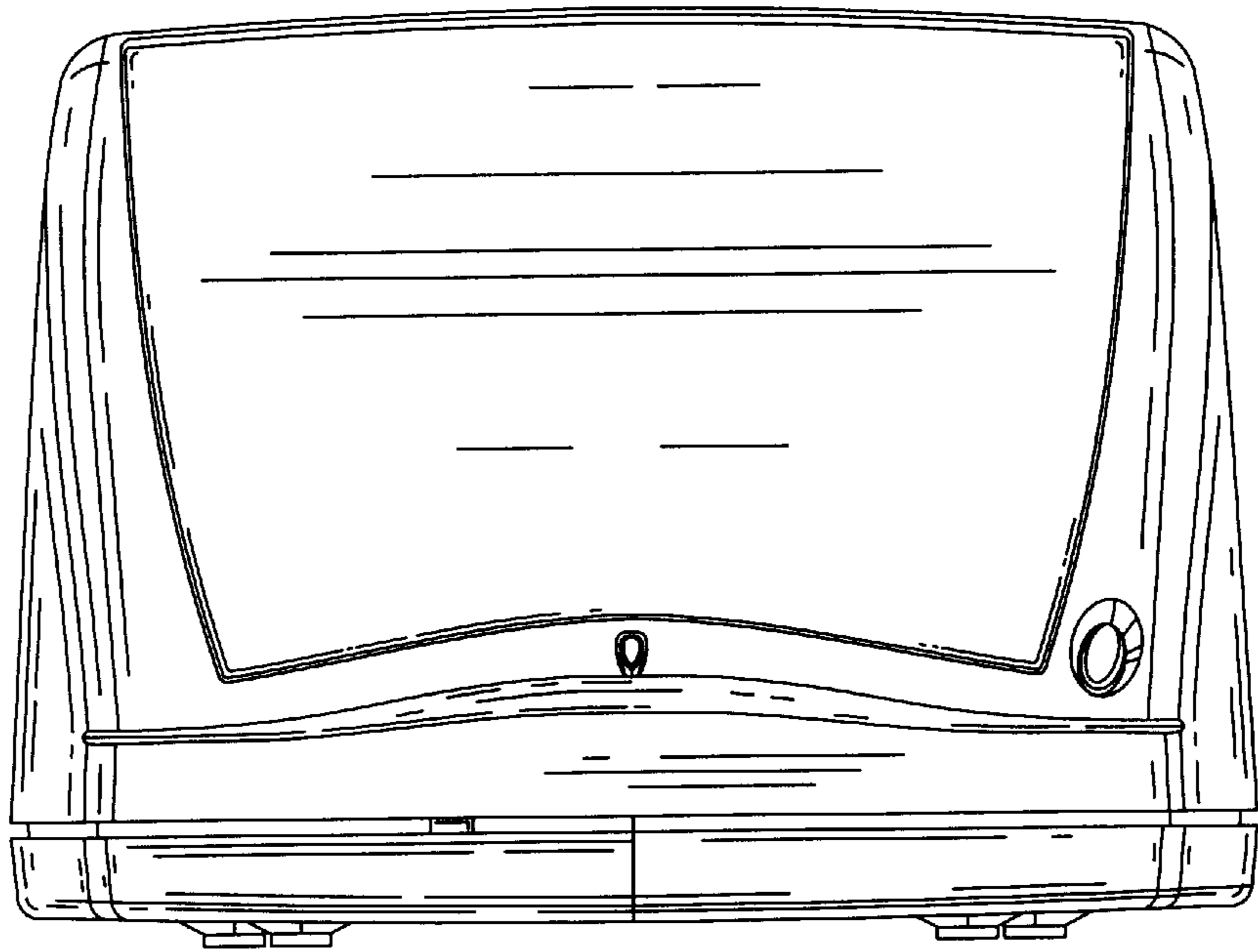


FIG. 1.

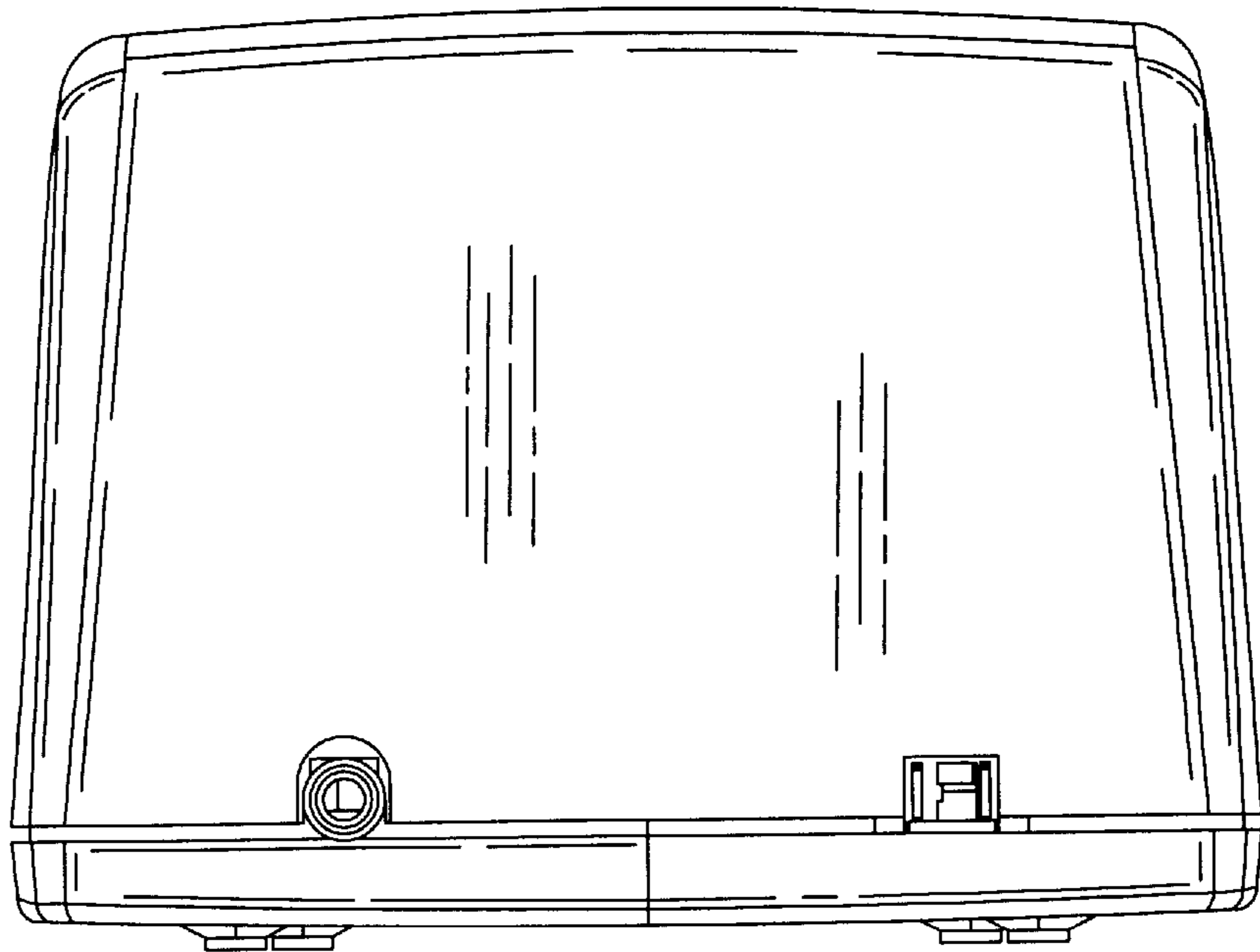


FIG. 2.

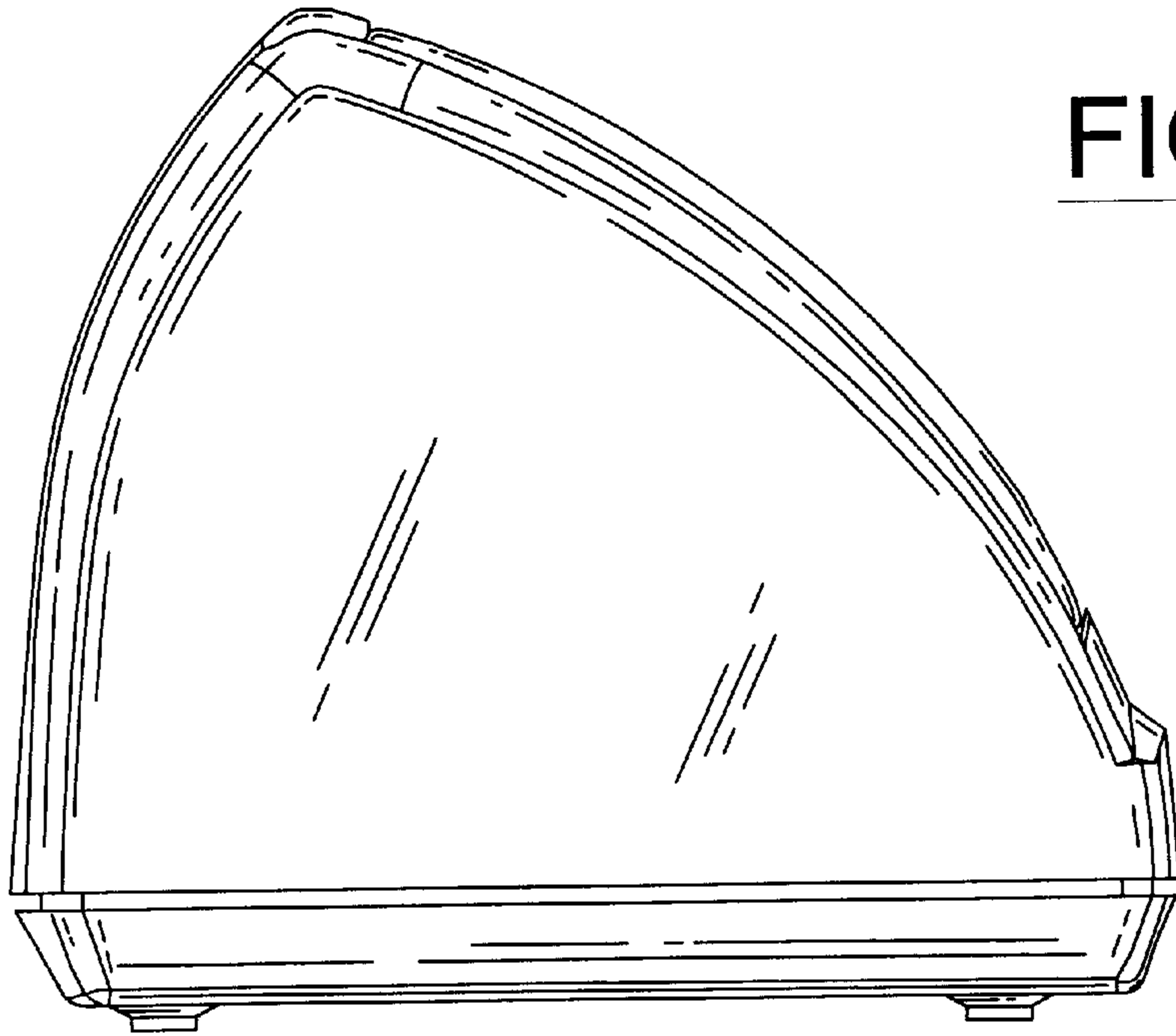
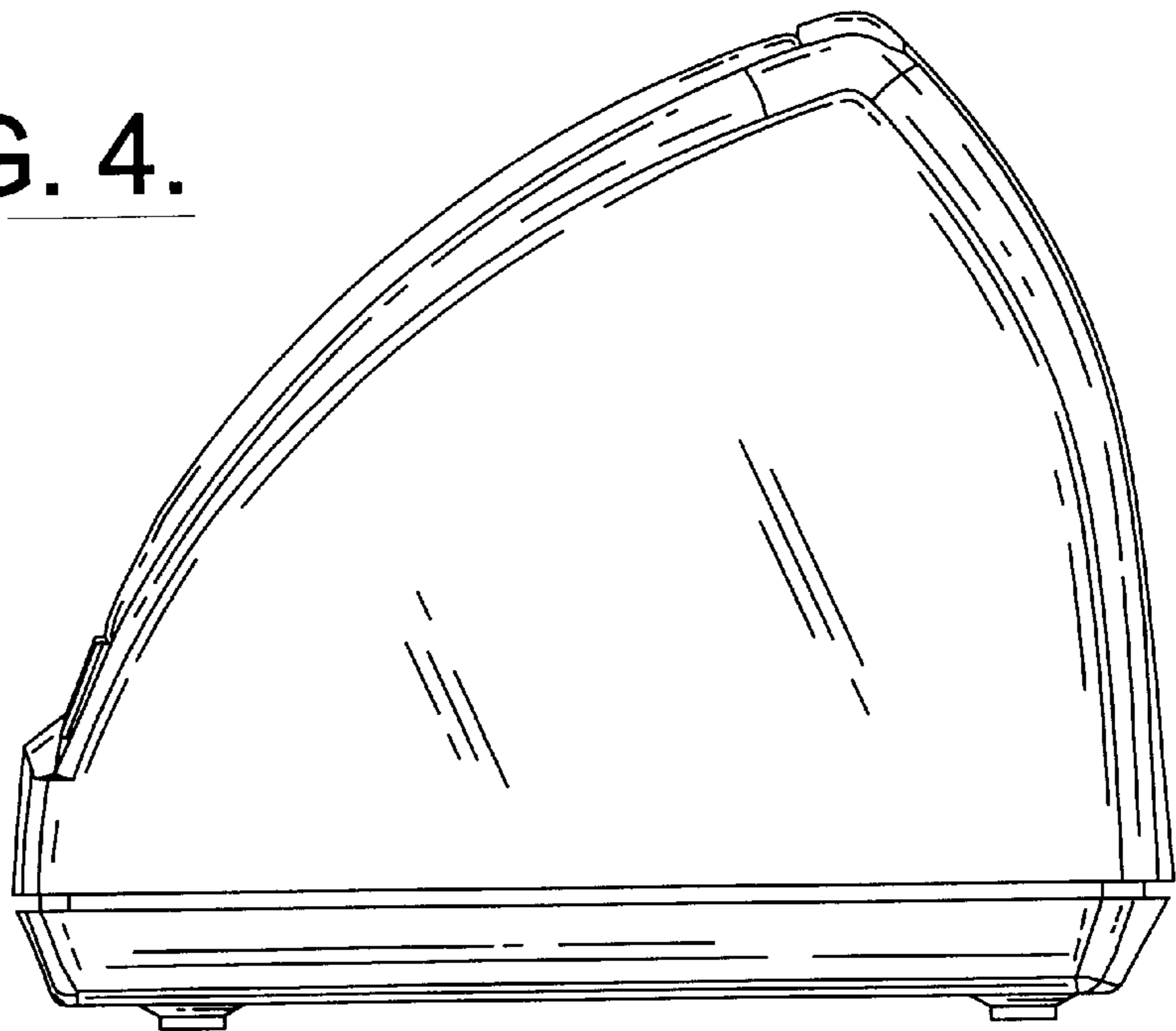


FIG. 3.

FIG. 4.



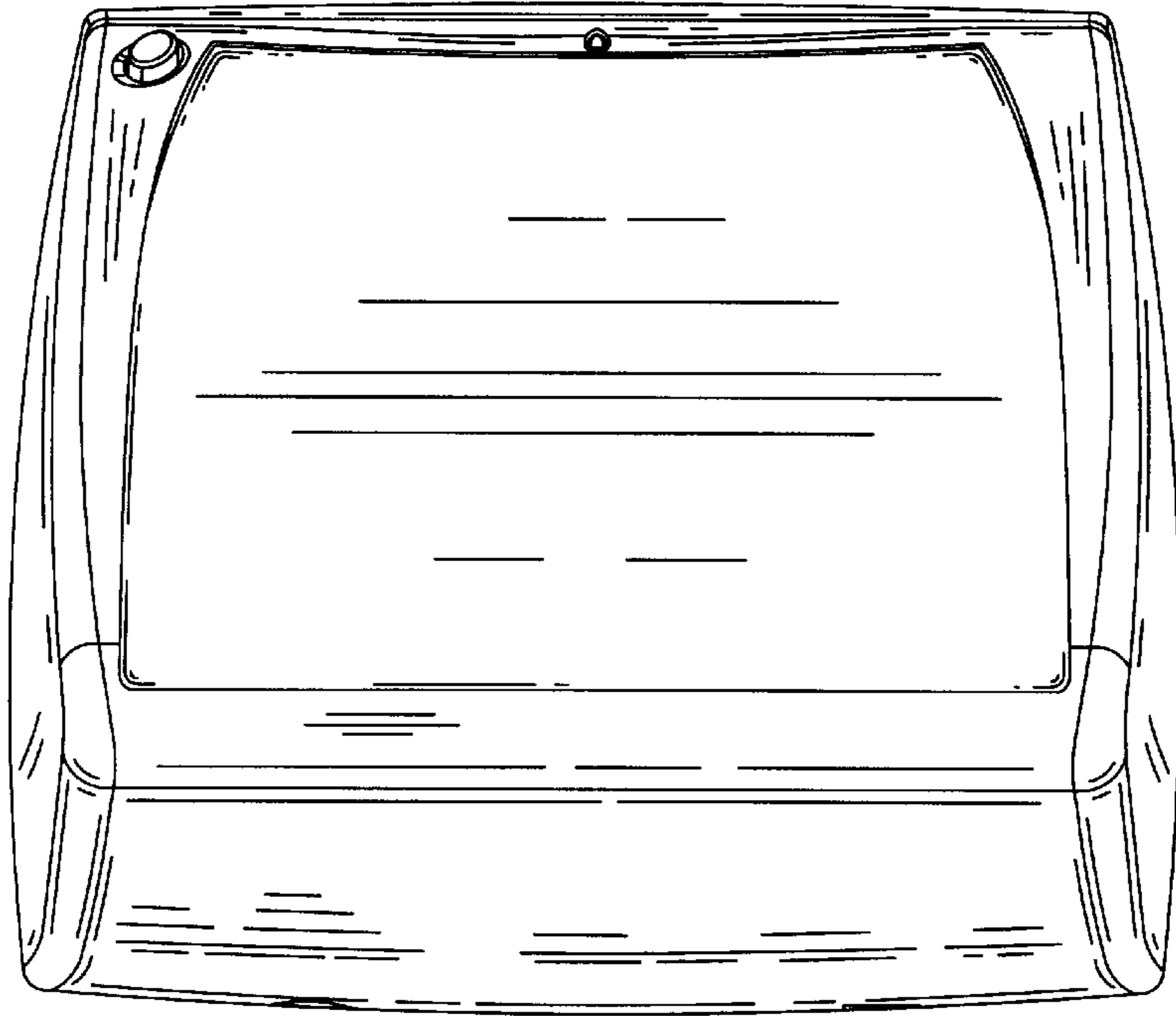


FIG. 5.

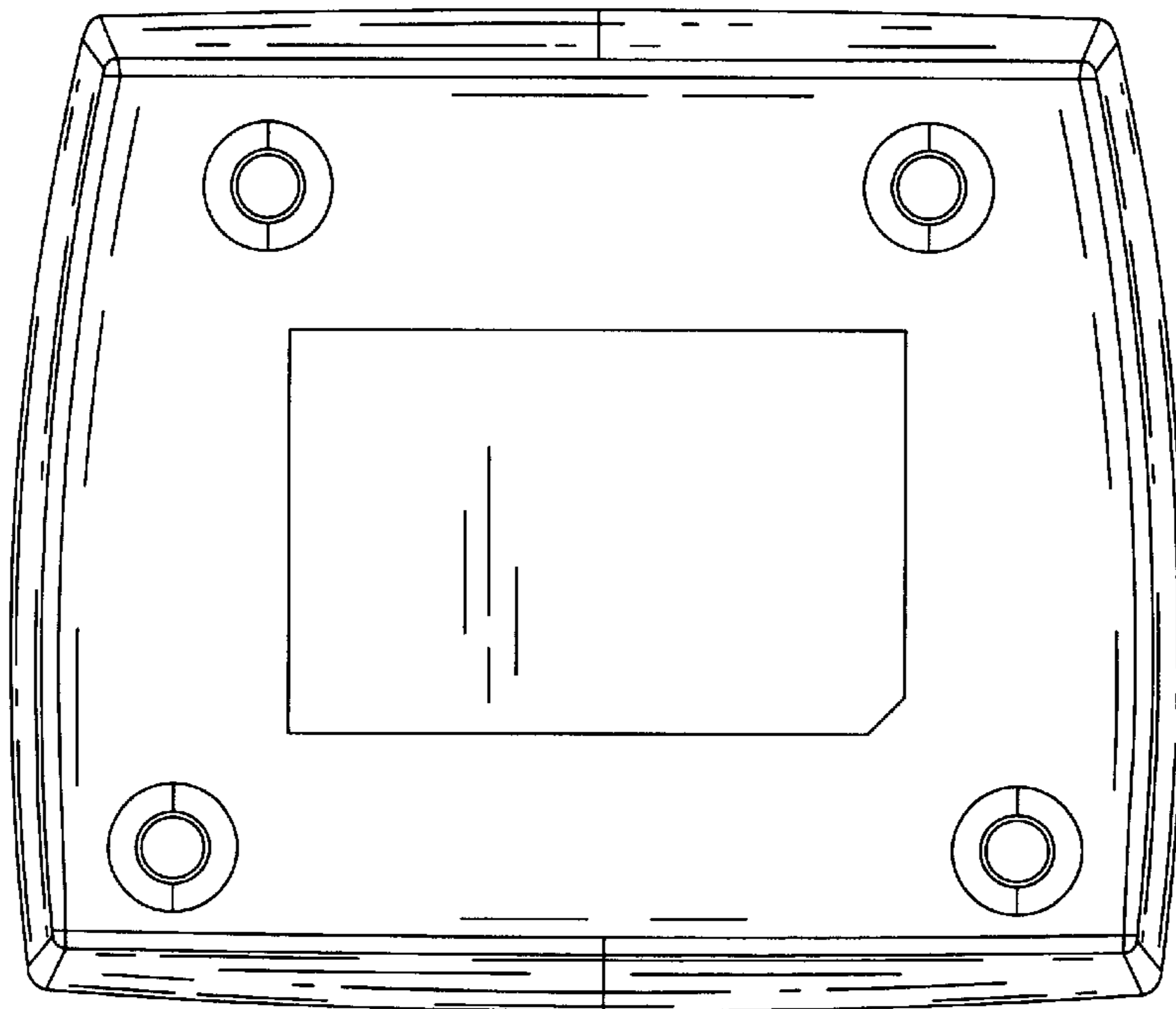


FIG. 6.

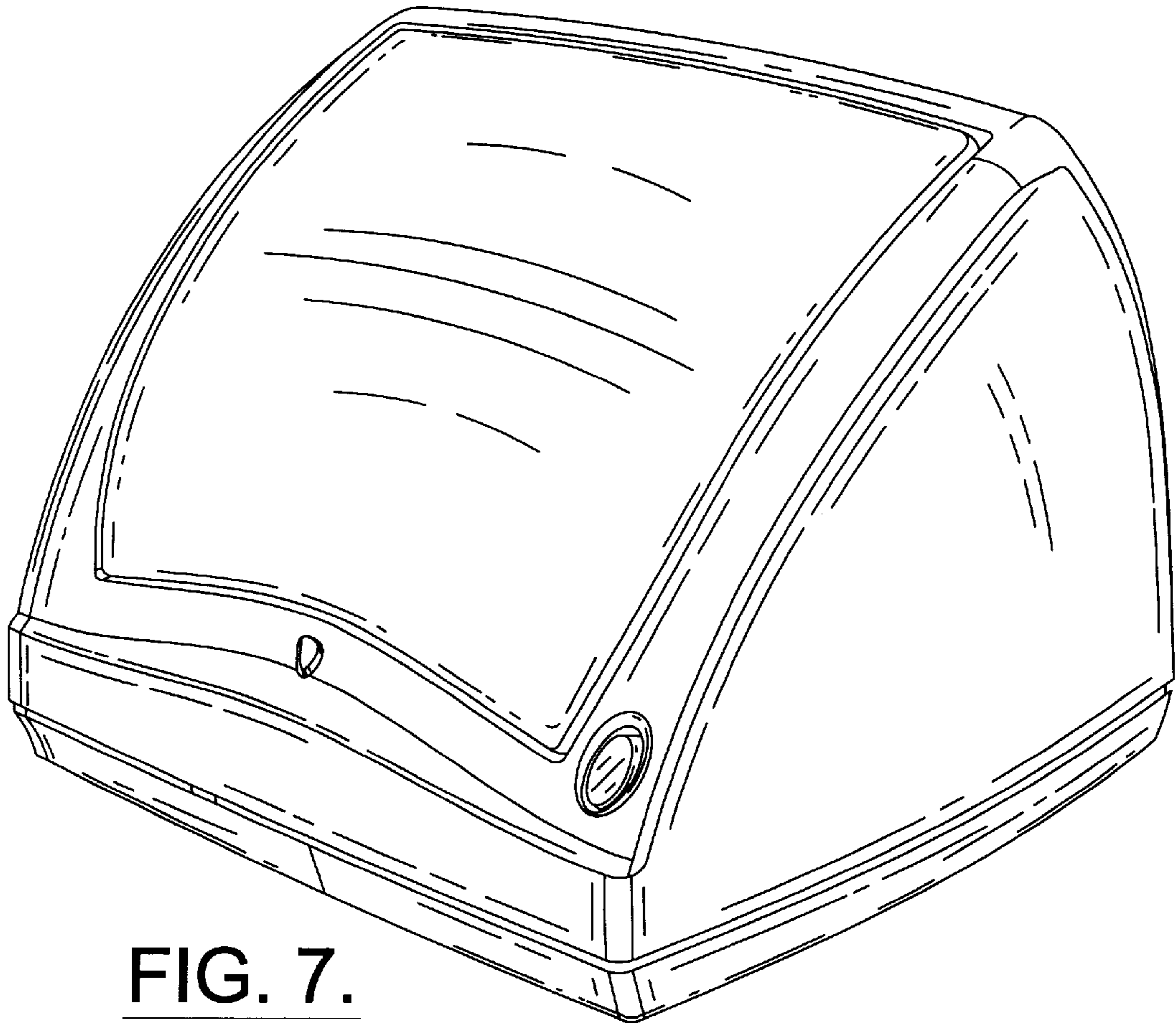


FIG. 7.