



US00D435537S

United States Patent [19]
Yuyama

[11] **Patent Number: Des. 435,537**

[45] **Date of Patent: ** Dec. 26, 2000**

[54] **HEADPHONE**

[75] Inventor: **Yasuo Yuyama**, Tokyo, Japan

[73] Assignee: **Sony Corporation**, Japan

[**] Term: **14 Years**

[21] Appl. No.: **29/119,082**

[22] Filed: **Feb. 23, 2000**

[30] **Foreign Application Priority Data**

Aug. 23, 1999 [JP] Japan 11-22543

[51] **LOC (7) Cl.** **14-01**

[52] **U.S. Cl.** **D14/205**

[58] **Field of Search** D14/137-138,
D14/205, 206, 223, 249, 192; 181/129,
130; 379/430, 431, 433; 381/26, 92, 95,
122, 309, 369, 370, 376-377

[56] **References Cited**

U.S. PATENT DOCUMENTS

D. 376,598 12/1996 Hayashi D14/205 X
D. 405,449 2/1999 Nakamura et al. D14/205
5,635,908 6/1997 Soper D14/192 X

OTHER PUBLICATIONS

Catalog "90"; Sony; Nov. 1998; pp. 249 & 250.

Primary Examiner—Nanda Bondade
Attorney, Agent, or Firm—Rader, Fishman & Grauer

[57] **CLAIM**

The ornamental design for a headphone, as shown and described.

DESCRIPTION

FIG. 1 is a perspective view of a headphone showing my new design;

FIG. 2 is a top plan view thereof;

FIG. 3 is a bottom plan view thereof;

FIG. 4 is a front elevational view thereof;

FIG. 5 is a right side elevational view thereof;

FIG. 6 is a rear elevational view thereof; and

FIG. 7 is a left side elevational view thereof.

FIG. 8 is another perspective view of a headphone showing my new design;

FIG. 9 is a top plan view thereof;

FIG. 10 is a bottom plan view thereof;

FIG. 11 is a front elevational view thereof;

FIG. 12 is a right side elevational view thereof;

FIG. 13 is a rear elevational view thereof; and,

FIG. 14 is a left side elevational view thereof.

1 Claim, 10 Drawing Sheets

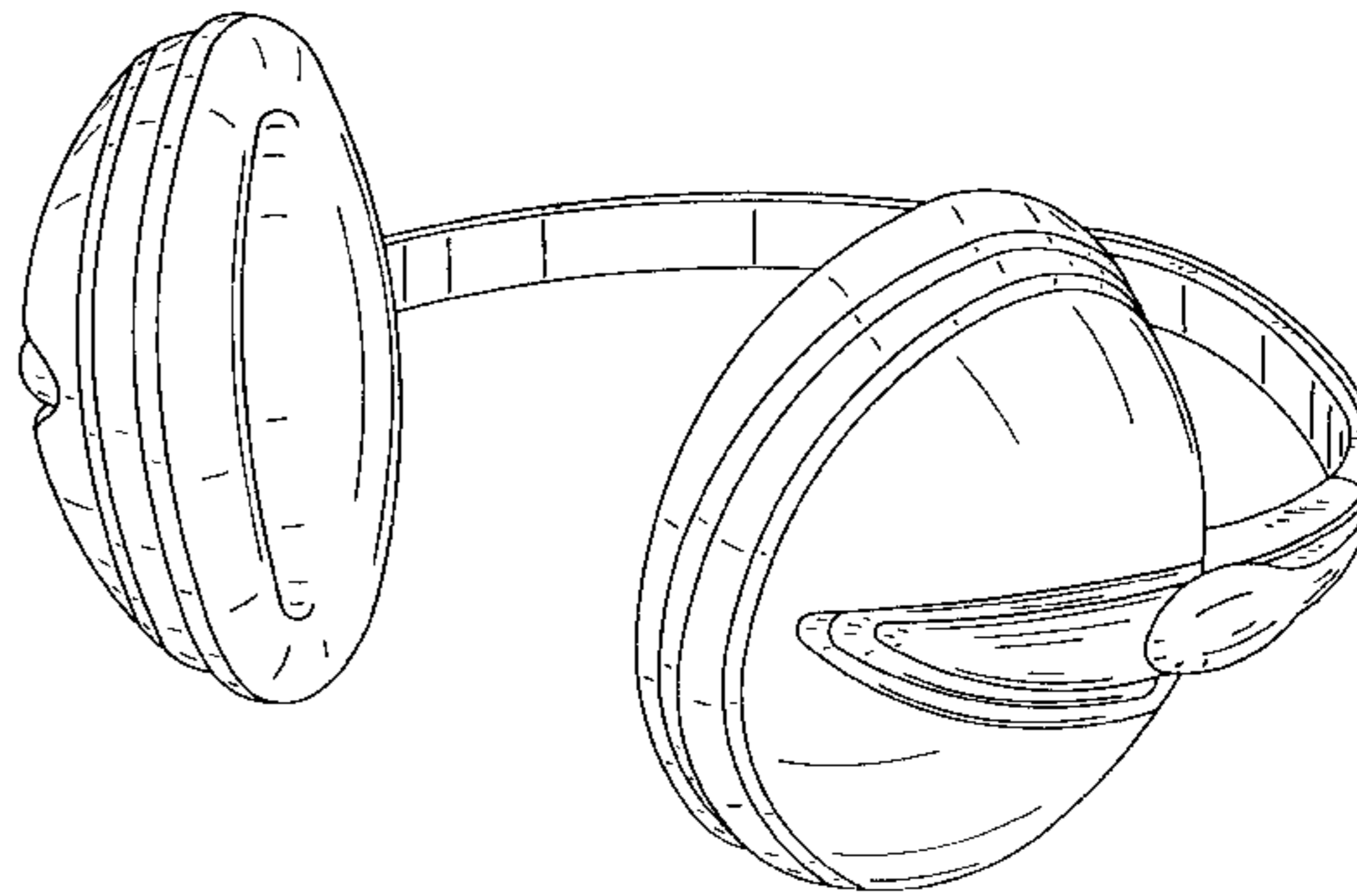
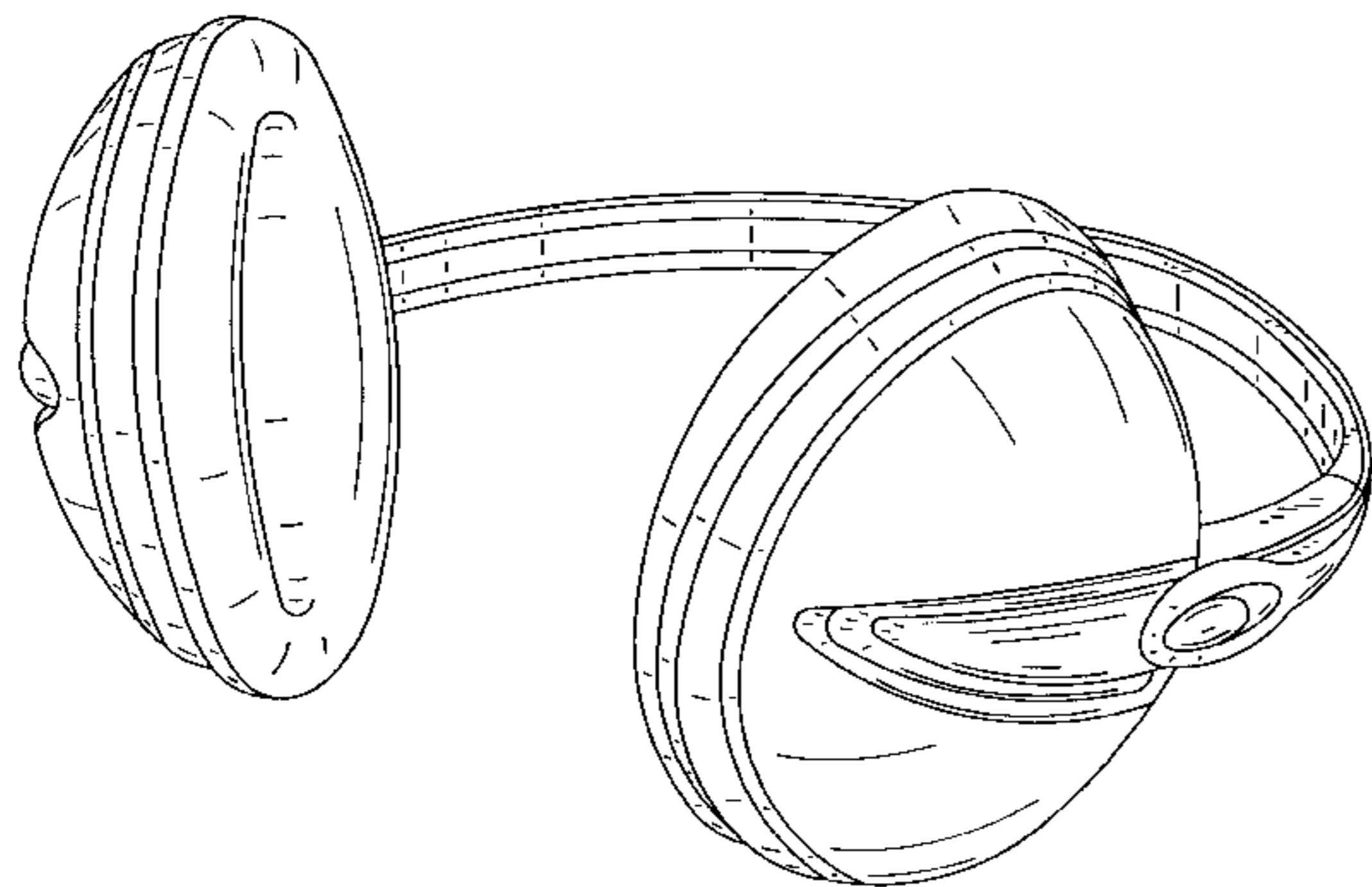


FIG. 1

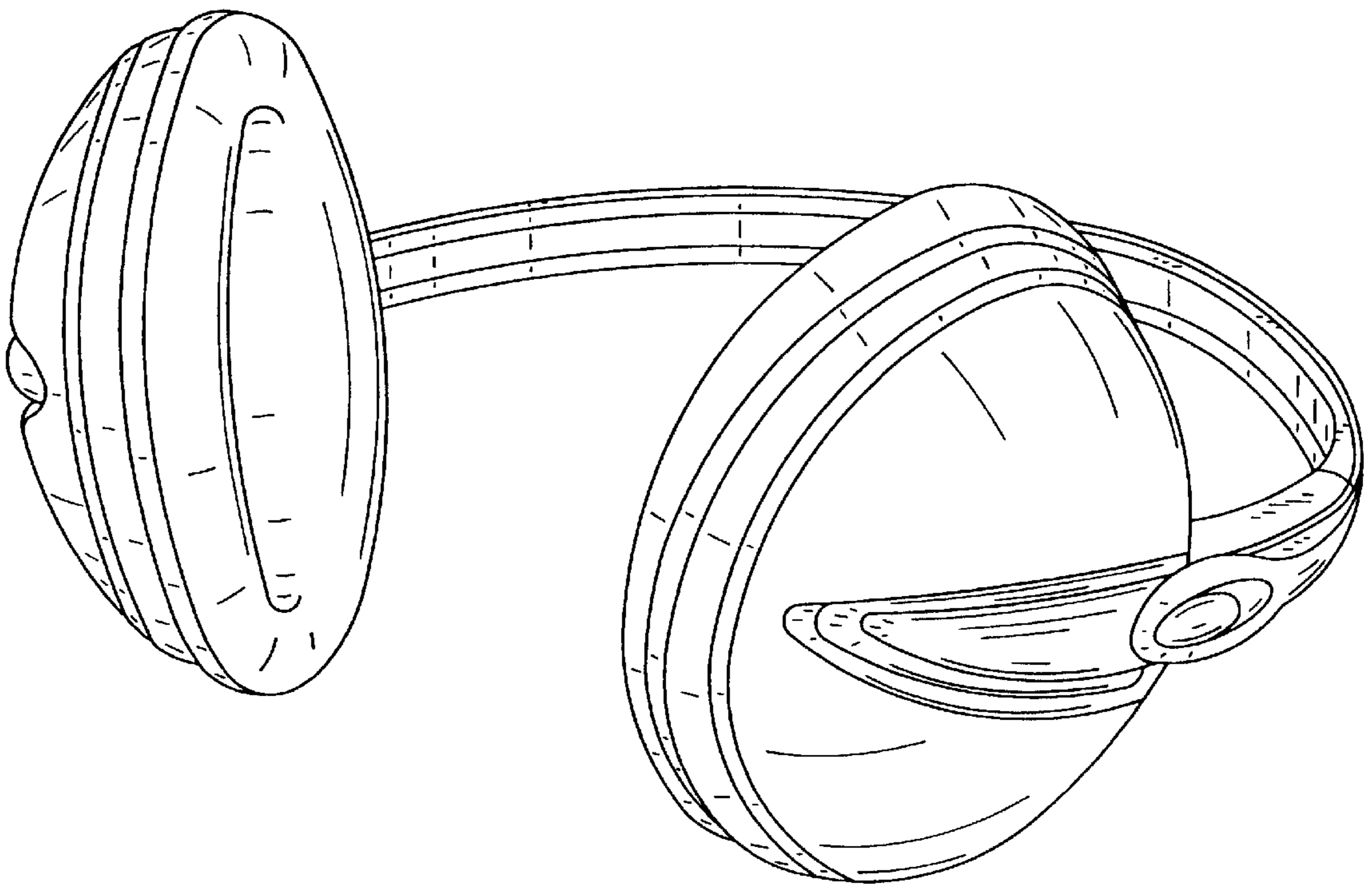


FIG. 2



FIG. 3



FIG. 4

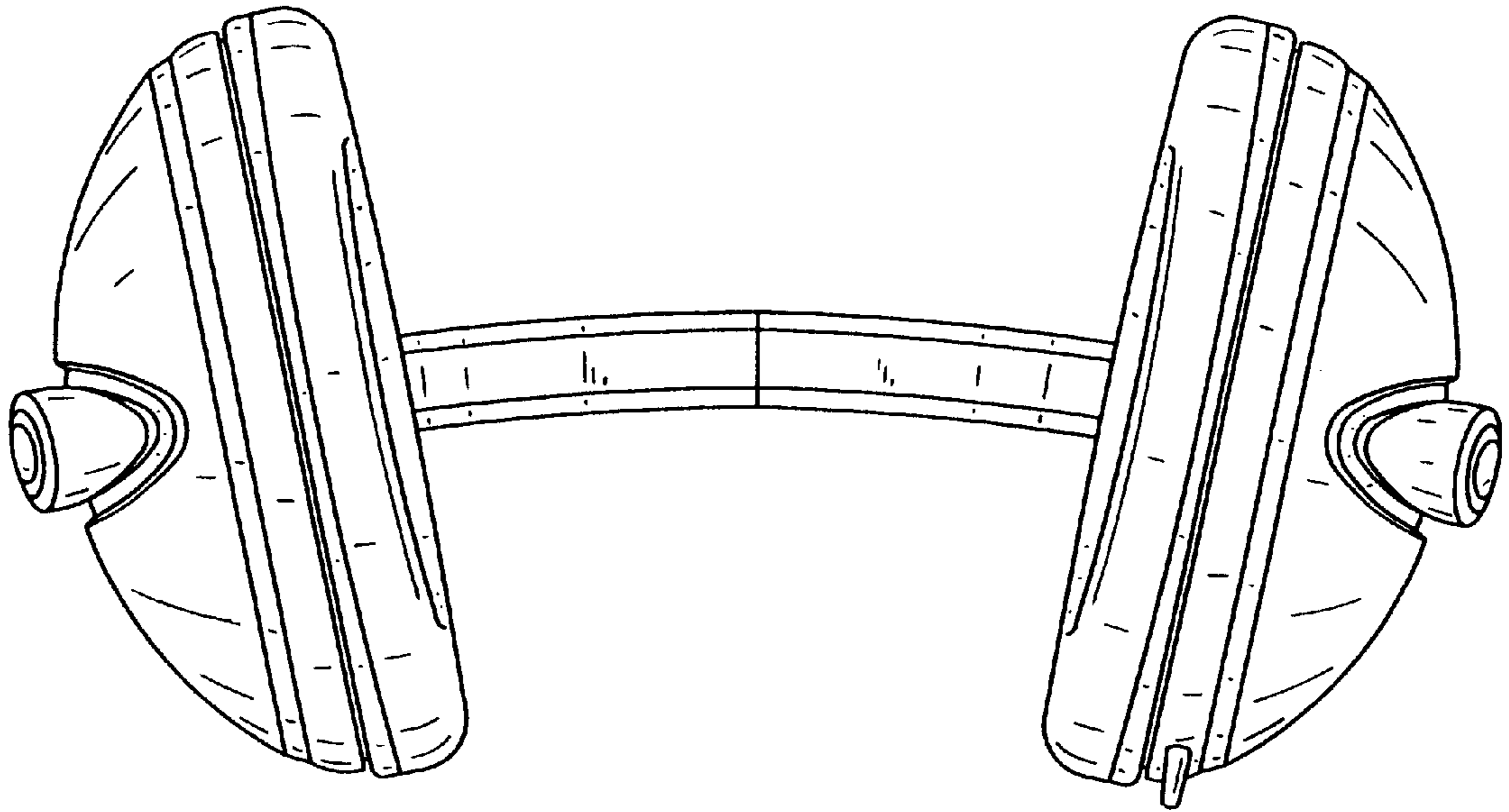


FIG. 5

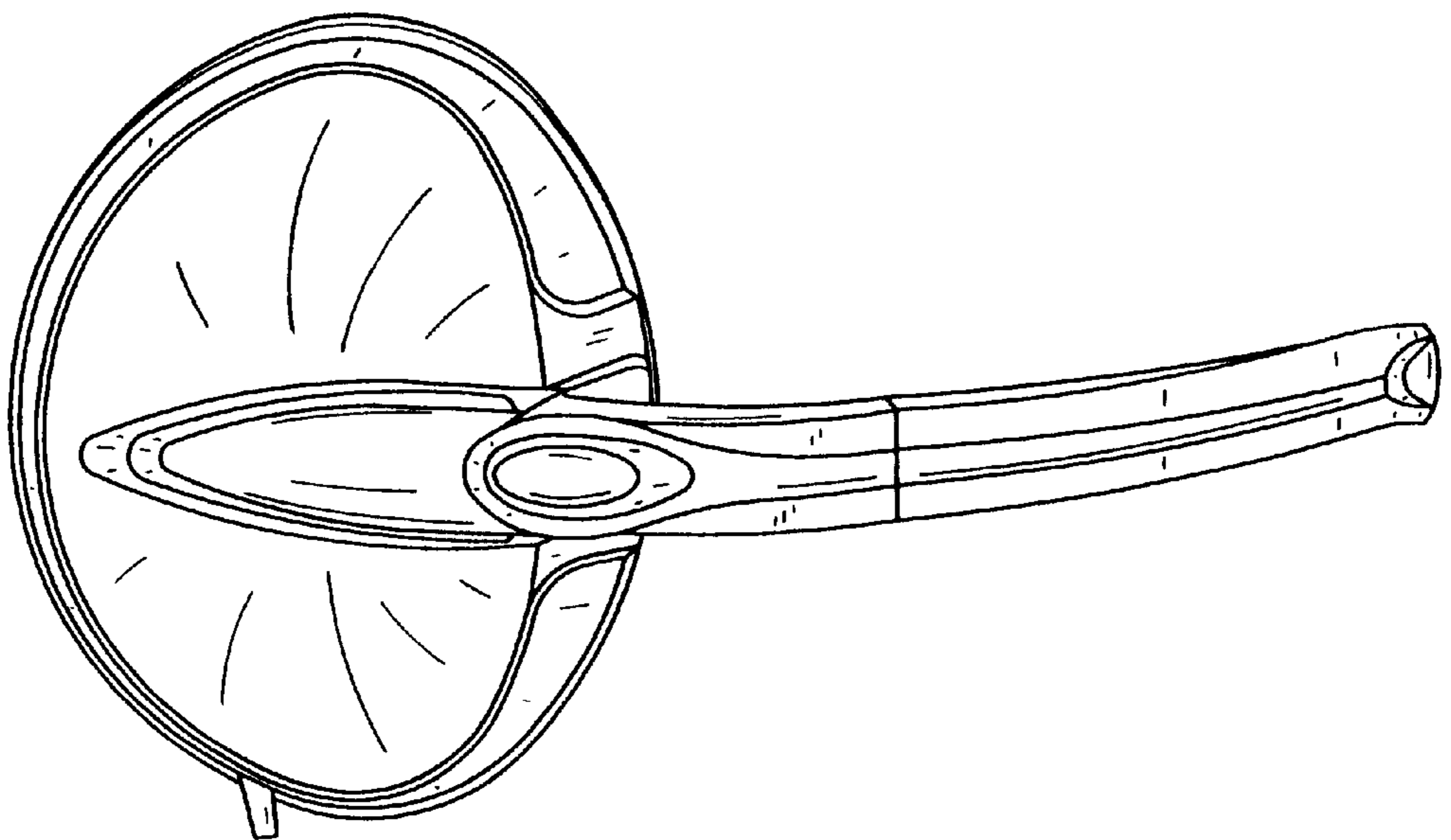


FIG. 6

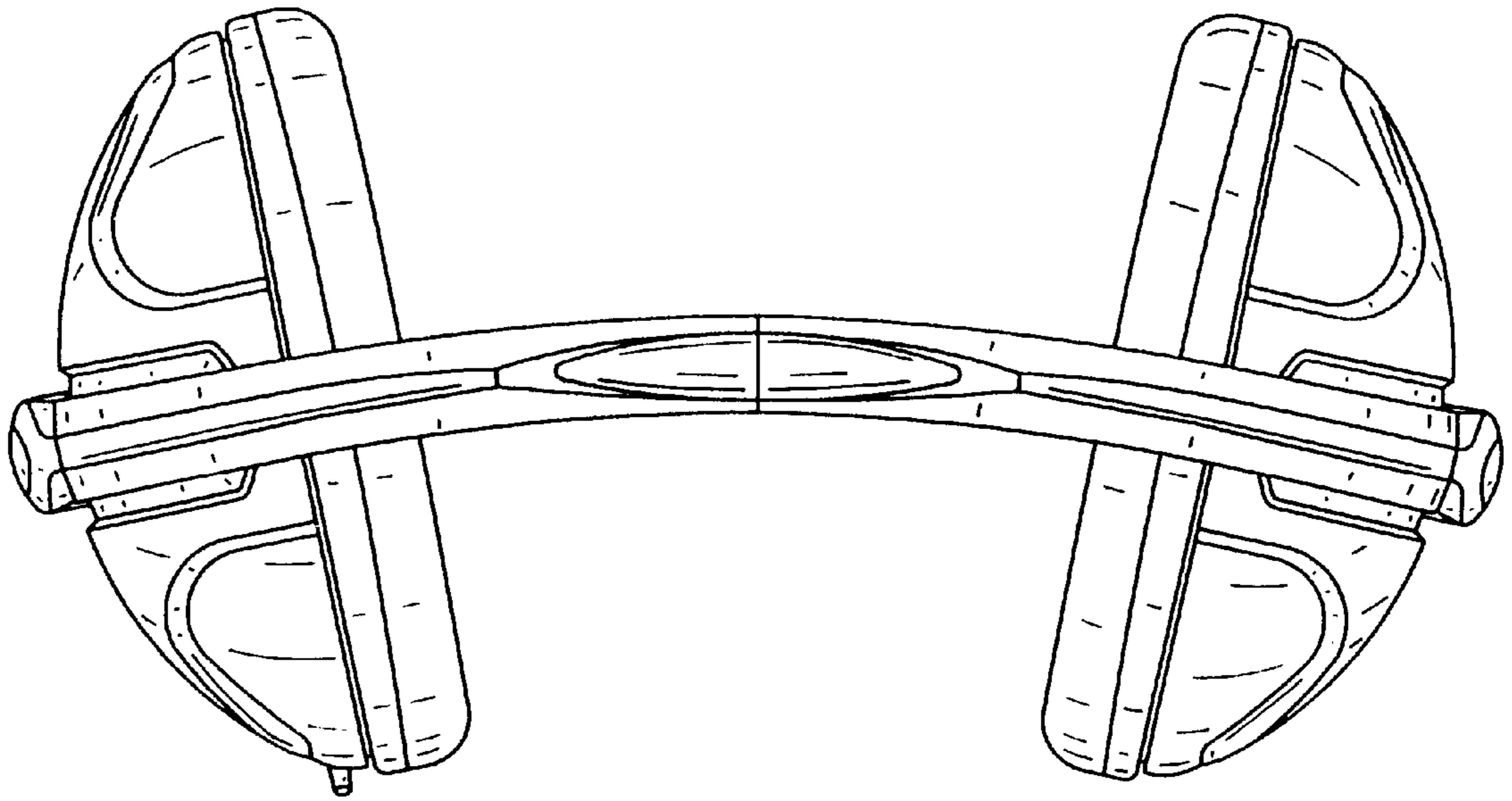


FIG. 7

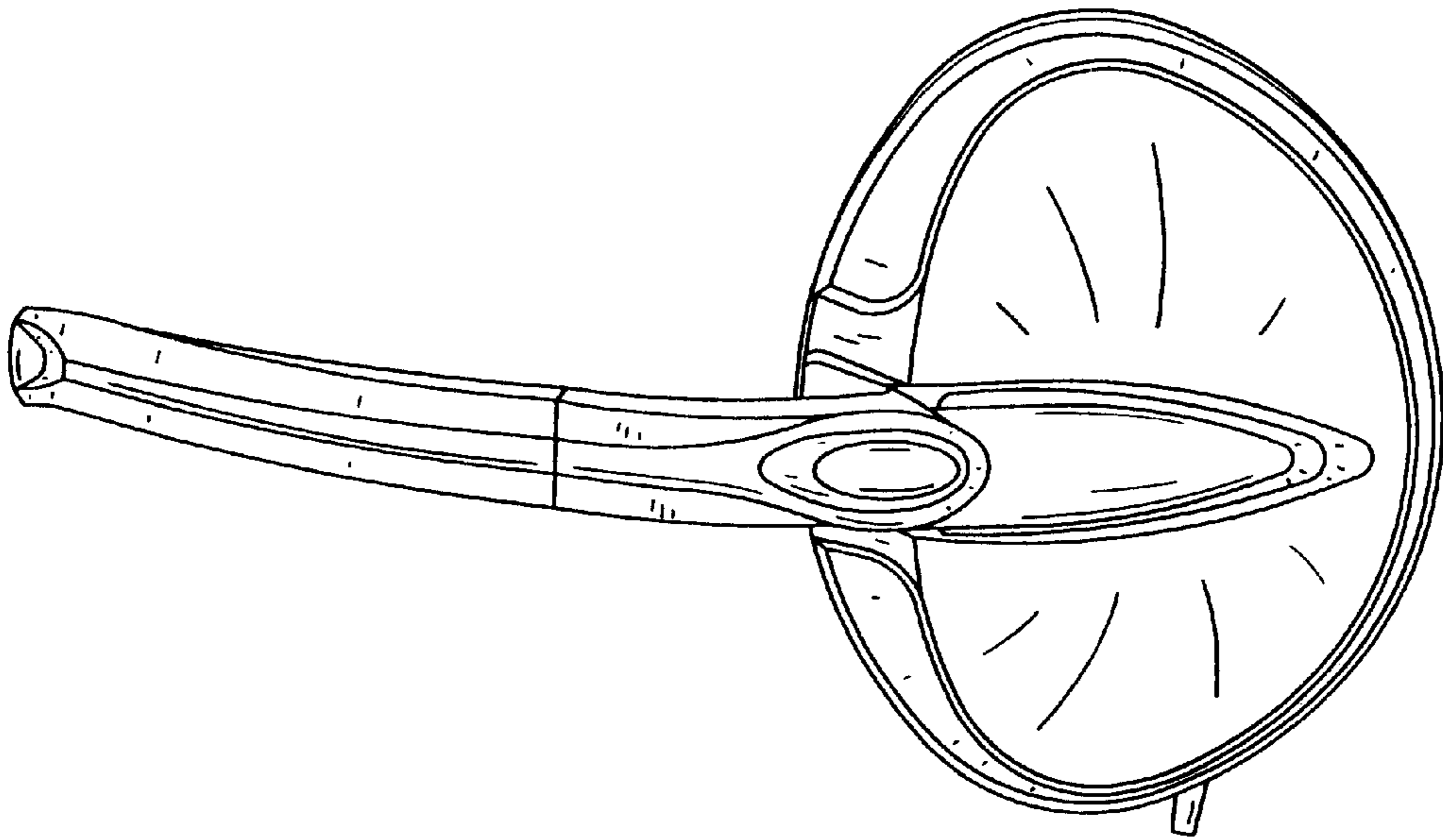


FIG. 8

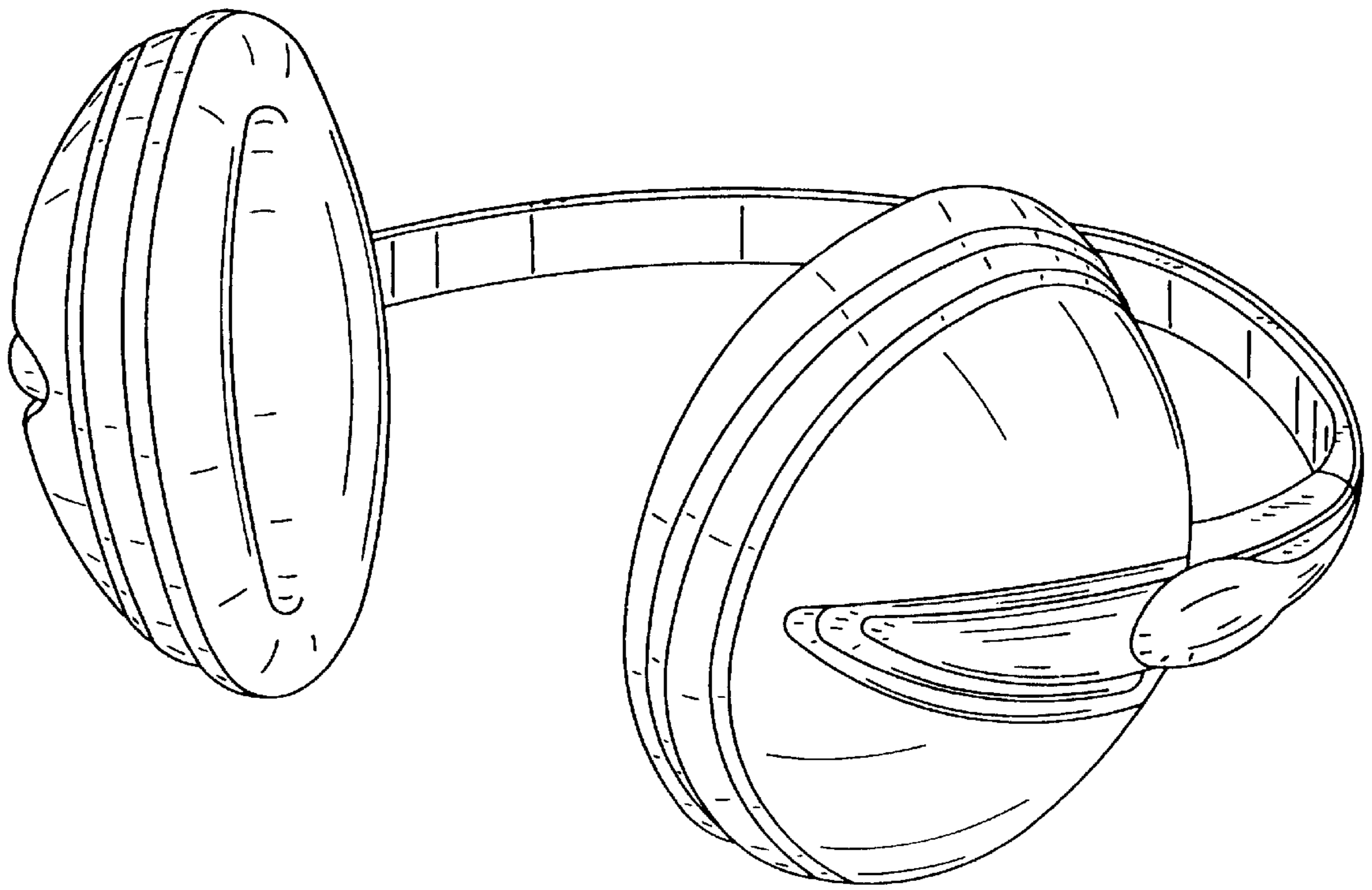


FIG. 9



FIG. 10



FIG. 11

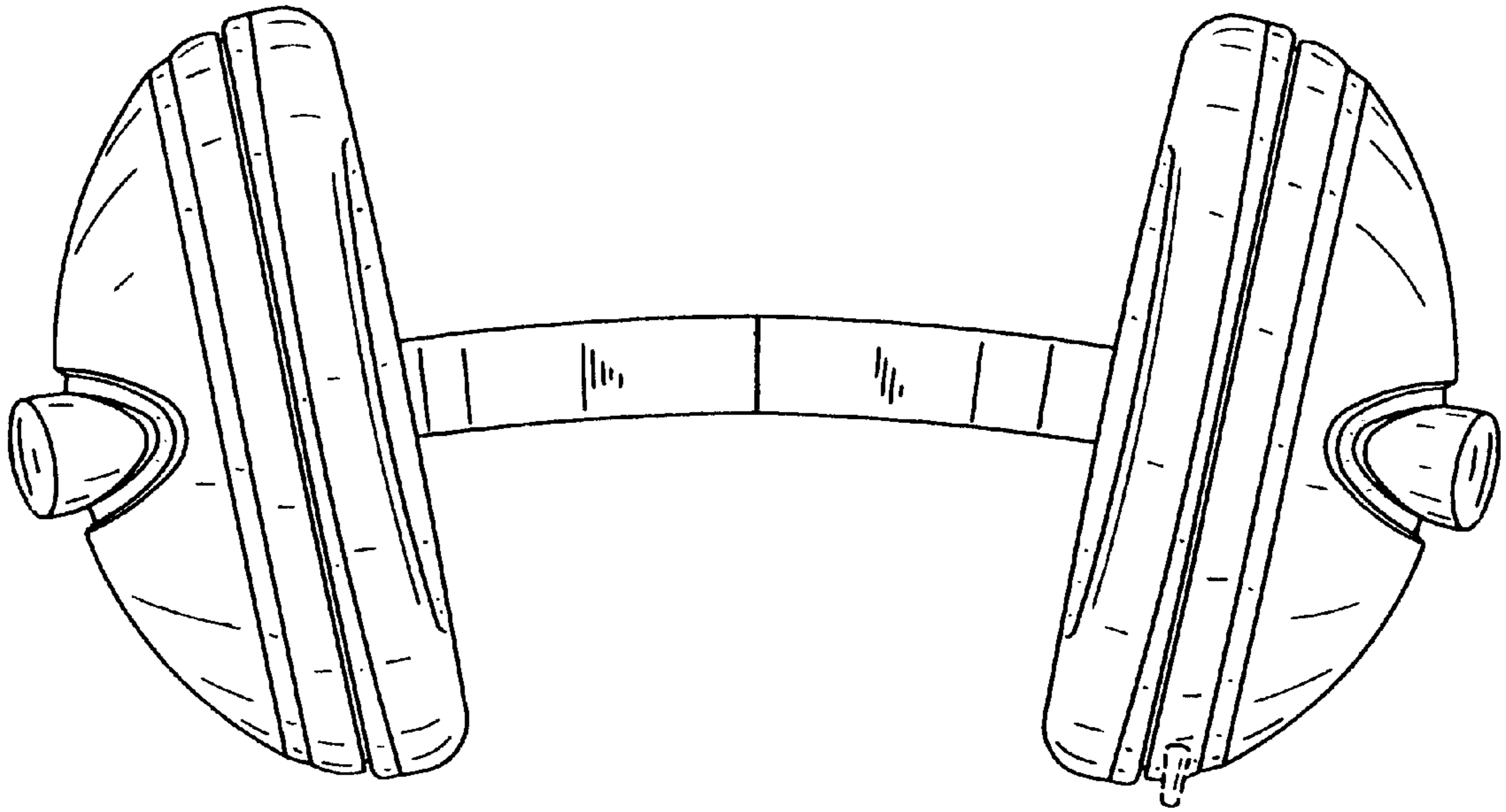


FIG. 12

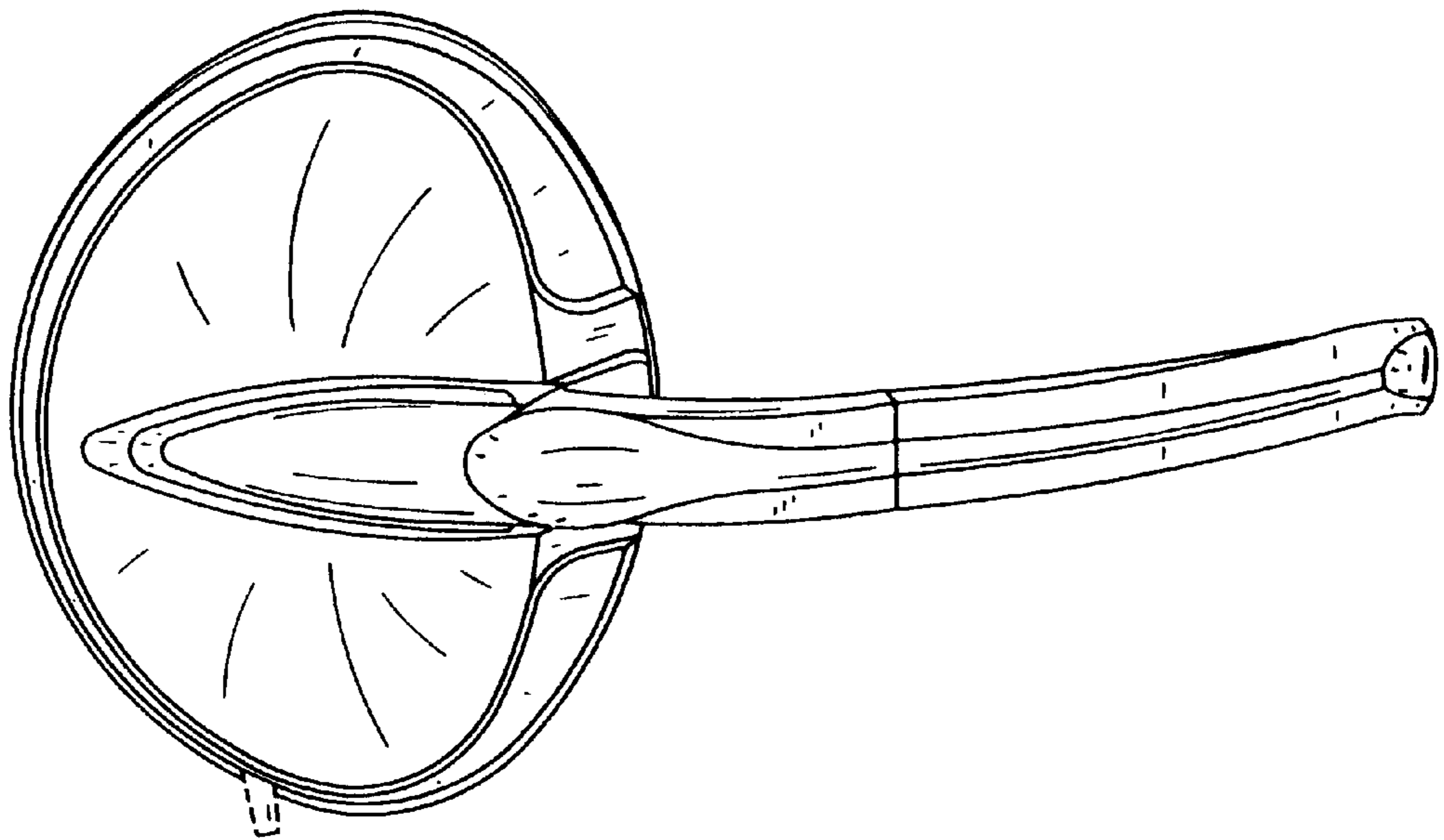


FIG. 13

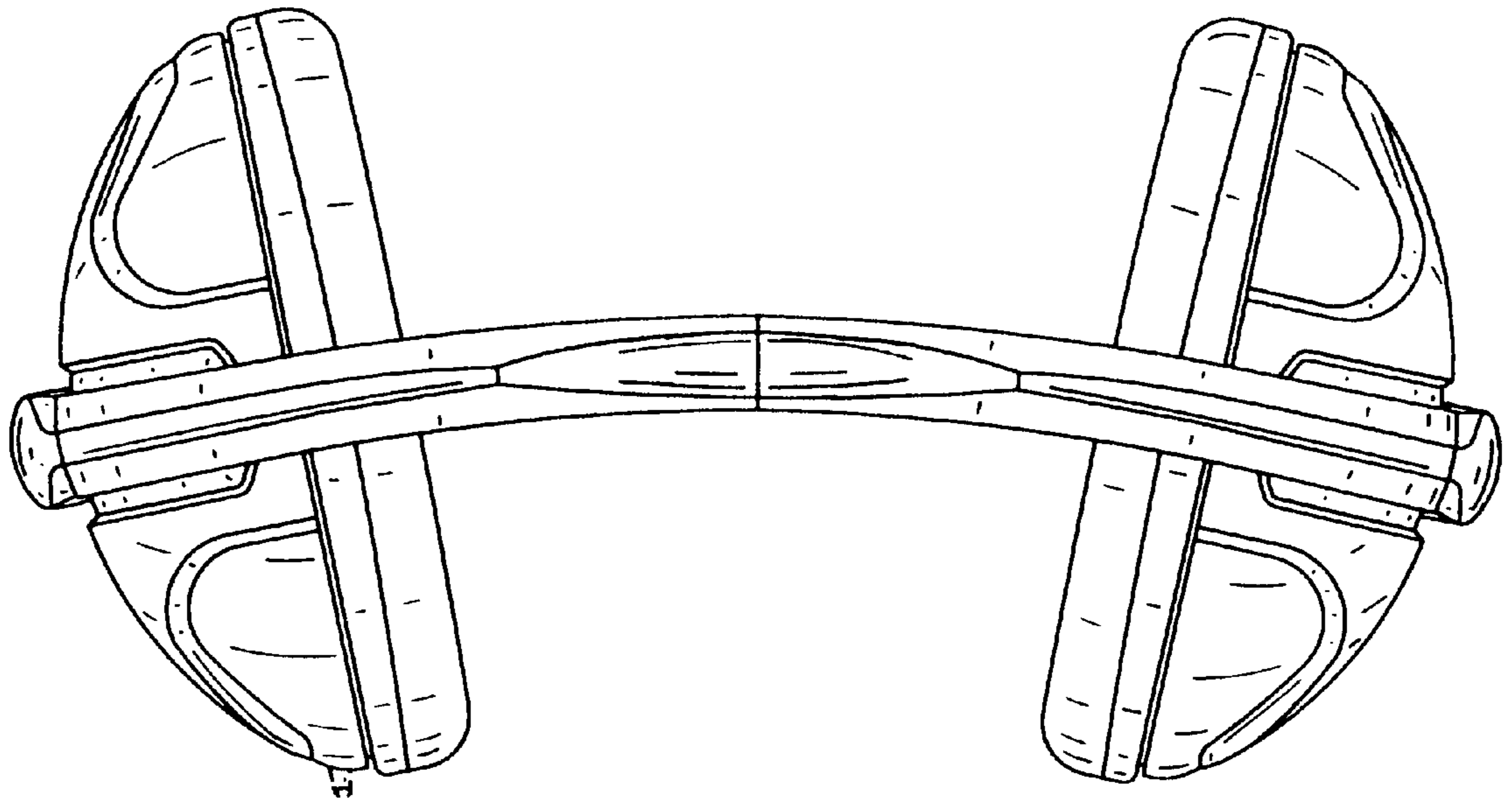


FIG. 14

