



US00D435534S

United States Patent [19] Horikoshi

[11] **Patent Number: Des. 435,534**

[45] **Date of Patent: ** Dec. 26, 2000**

[54] **DIGITAL AUDIO DISC PLAYER WITH RADIO RECEIVER**

[75] Inventor: **Tatsuo Horikoshi**, Sayama, Japan

[73] Assignee: **Nakamichi Corporation**, Tokyo, Japan

[**] Term: **14 Years**

[21] Appl. No.: **29/112,160**

[22] Filed: **Oct. 12, 1999**

[30] Foreign Application Priority Data

Jul. 5, 1999 [JP] Japan 11-17831

[51] **LOC (7) Cl.** **14-01**

[52] **U.S. Cl.** **D14/168; D14/156**

[58] **Field of Search** D14/156, 167, D14/168, 188-189, 193-198, 204, 207, 209-214; D6/300, 310-312; 40/152.1, 152.2, 455, 906; 455/344, 347, 350, 351

[56] References Cited

U.S. PATENT DOCUMENTS

D. 350,441 9/1994 Grauert D6/300

D. 375,098 10/1996 Moallemi et al. D14/168
D. 379,458 5/1997 Muller et al. D14/168
5,359,374 10/1994 Schwartz 40/152.1 X

Primary Examiner—Nanda Bondade
Attorney, Agent, or Firm—Moonray Kojima

[57] CLAIM

The ornamental design for digital audio disc player with radio receiver, as shown and described.

DESCRIPTION

FIG. 1 is a top view of a digital audio disc play with radio receiver, showing my new design.

FIG. 2 is a left side view thereof.

FIG. 3 is a front view thereof.

FIG. 4 is a right side view thereof.

FIG. 5 is a rear view thereof.

FIG. 6 is a bottom view thereof.

FIG. 7 is the front view in a power condition.

FIG. 8 is the front view in a CD ejected condition; and,

FIG. 9 is the right side view in a slanted position.

The surface(s) or portion(s) of the article not shown in the drawing or described in the specification form(s) no part of the claimed design.

1 Claim, 5 Drawing Sheets

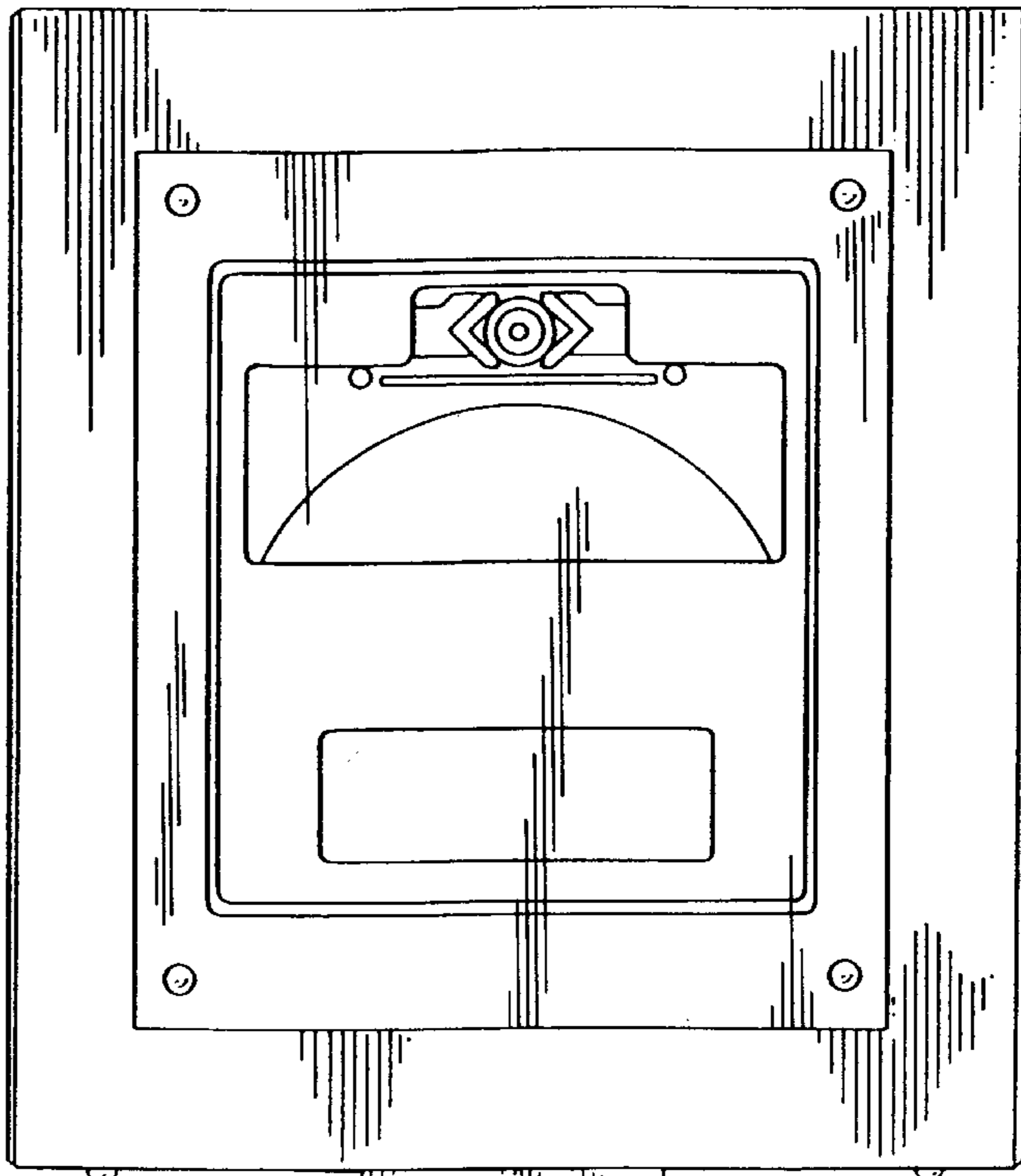
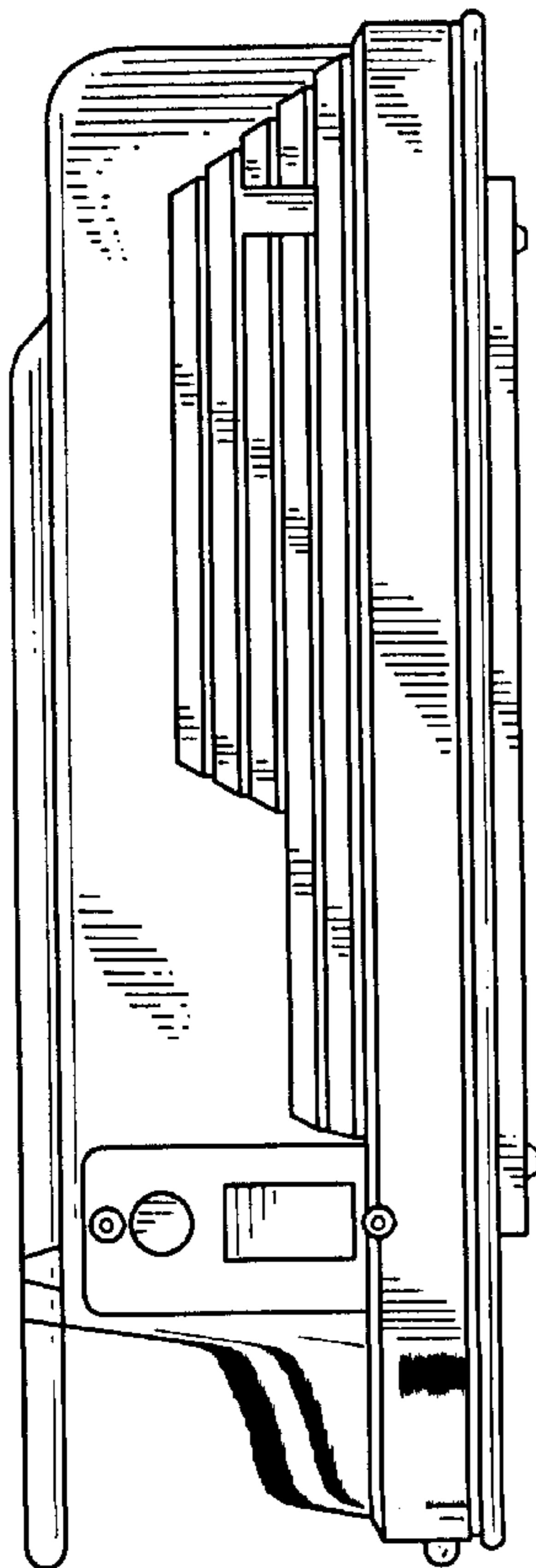


FIG.1

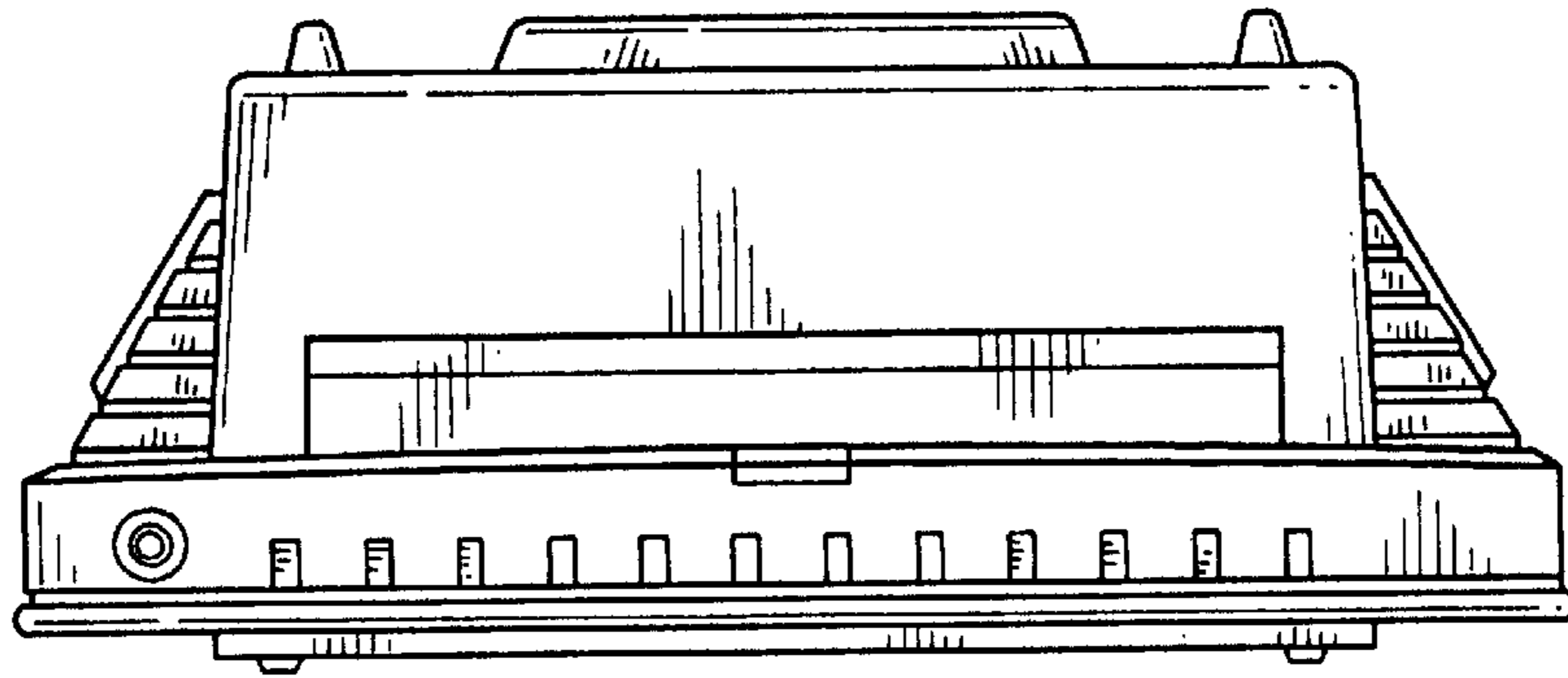


FIG.2

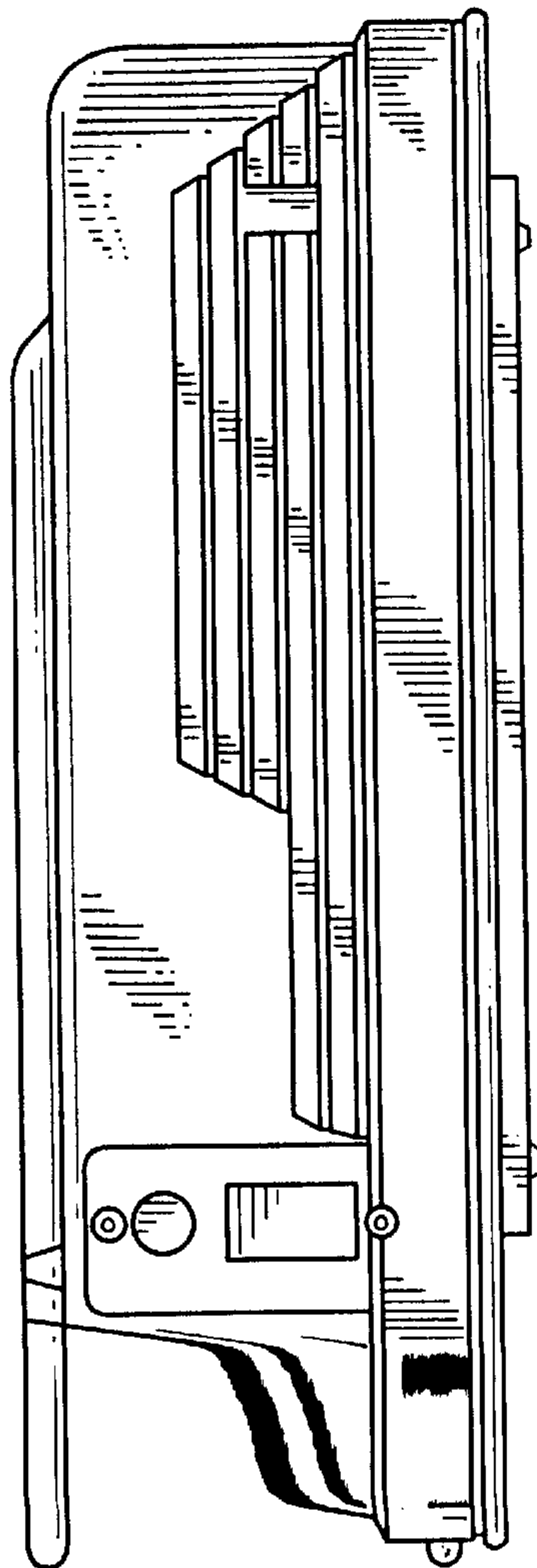


FIG.4

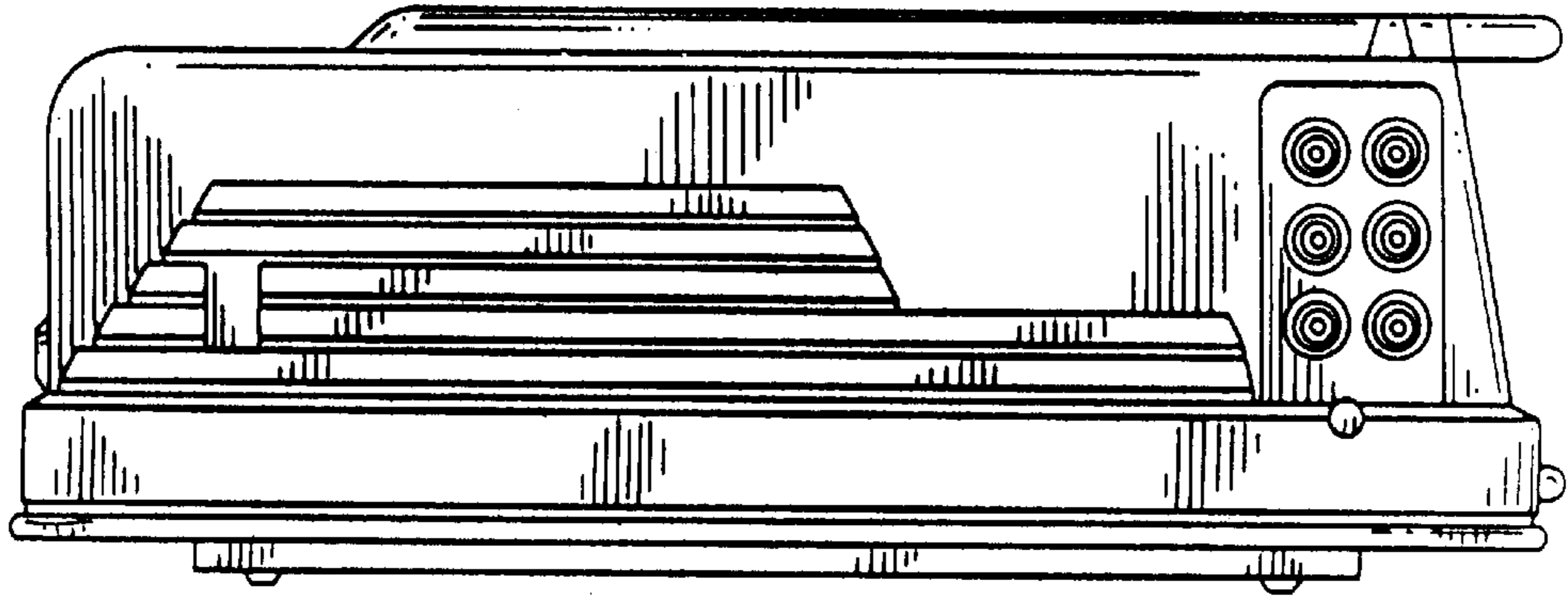


FIG.3

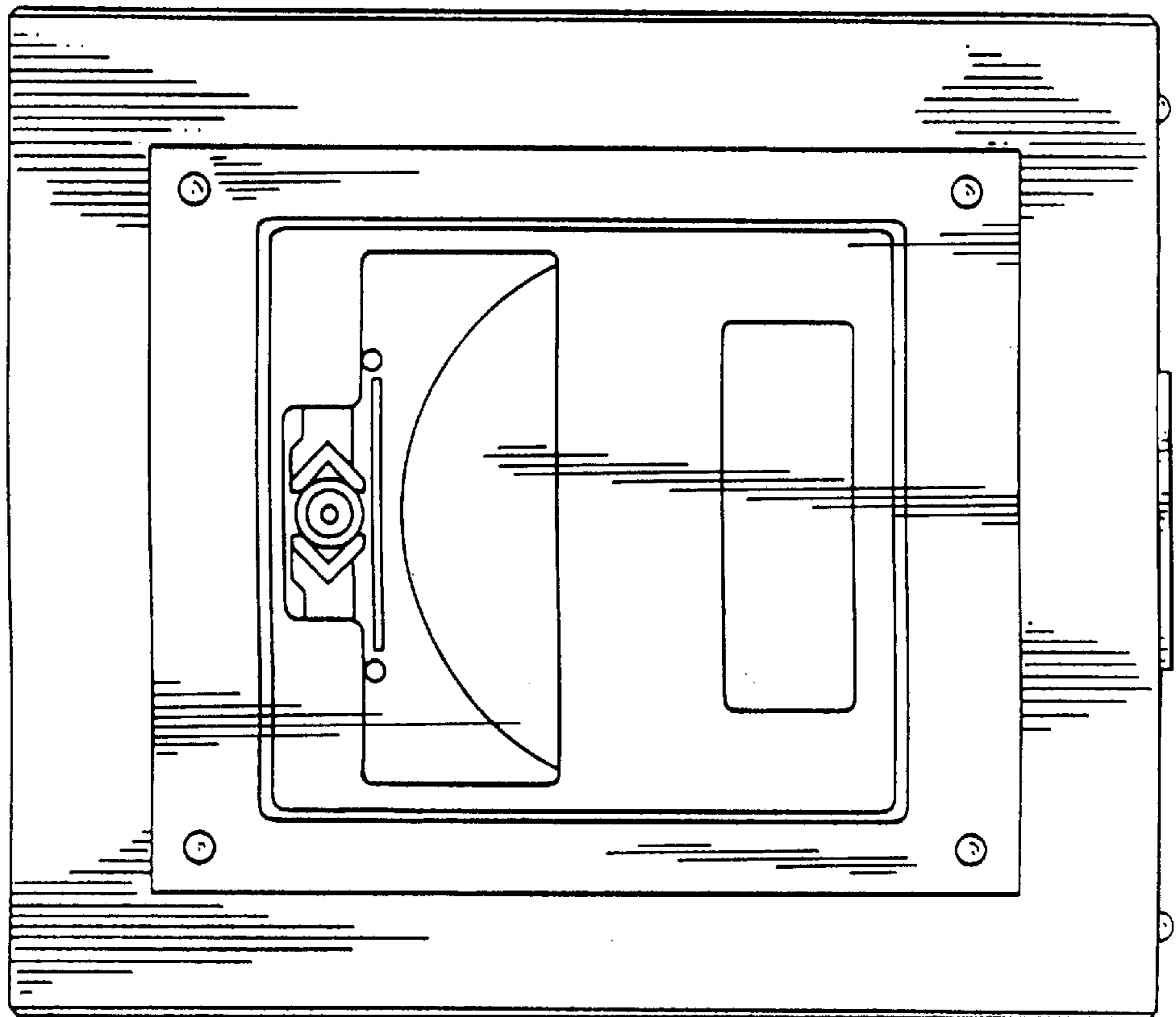


FIG.5

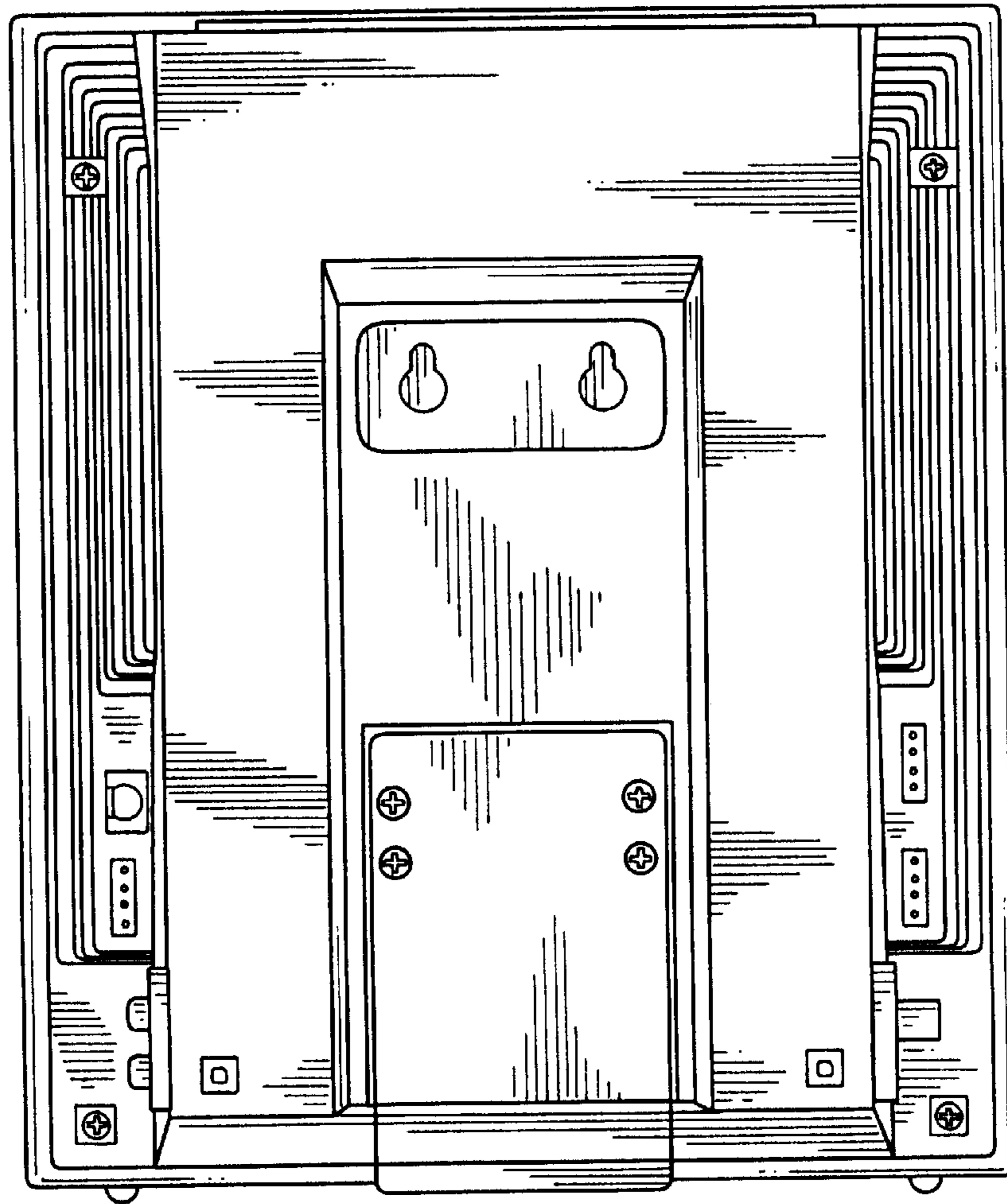
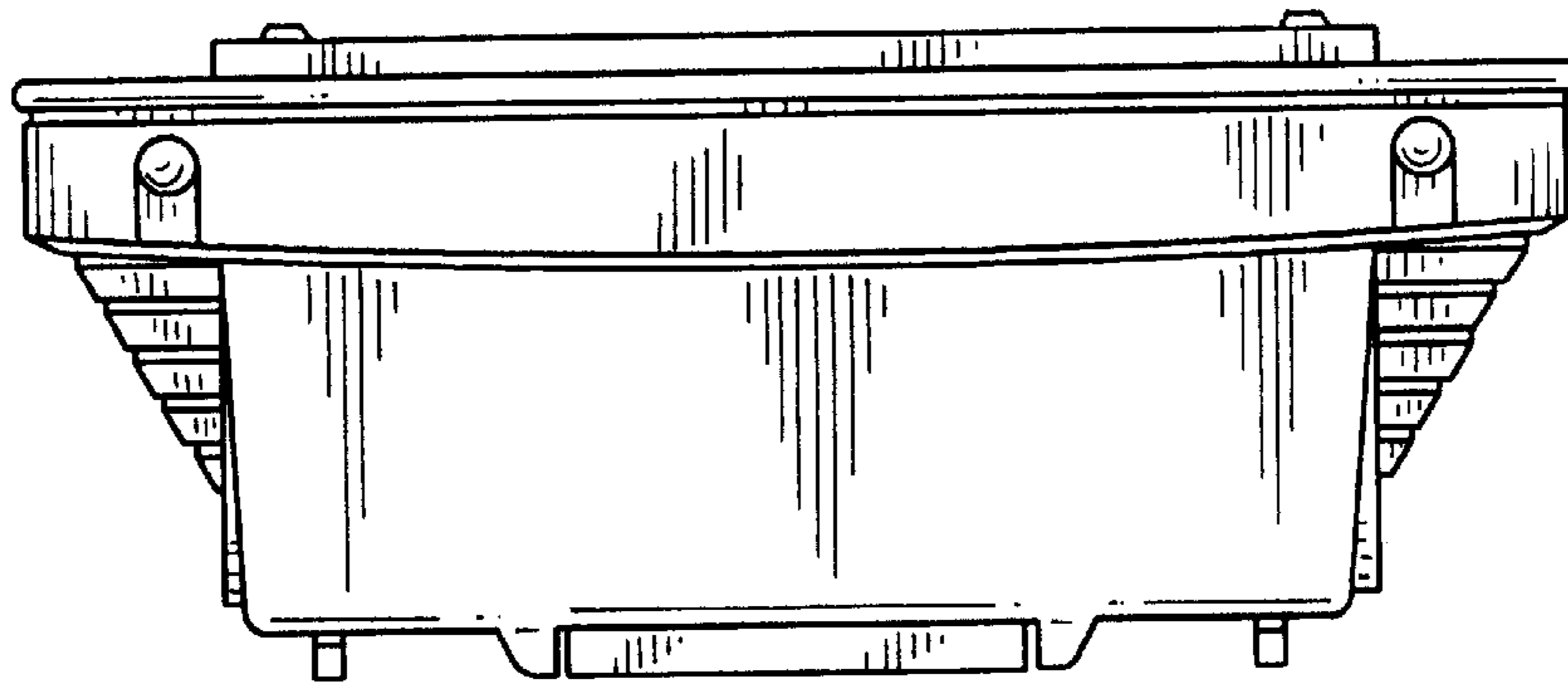


FIG.6



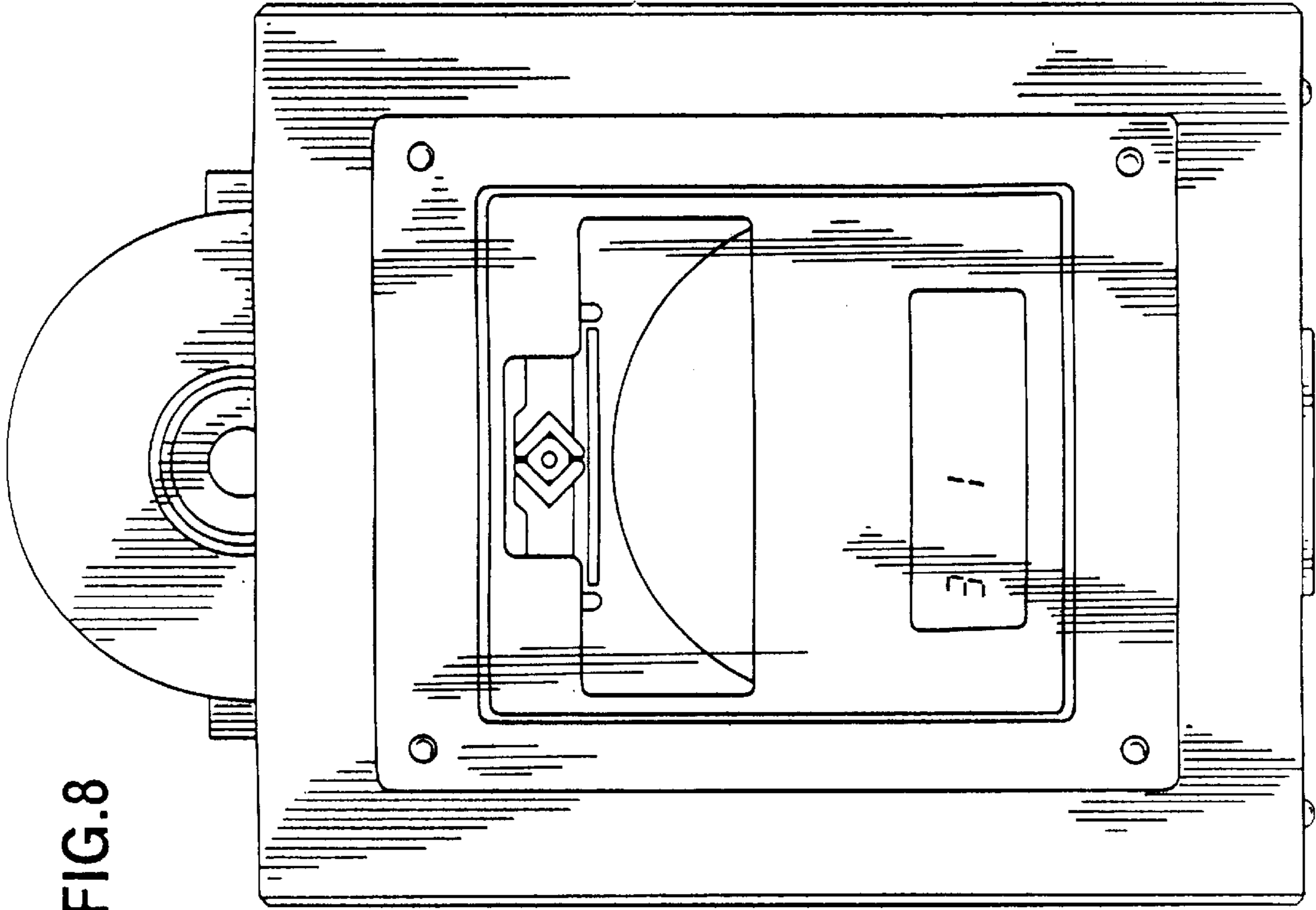


FIG. 8

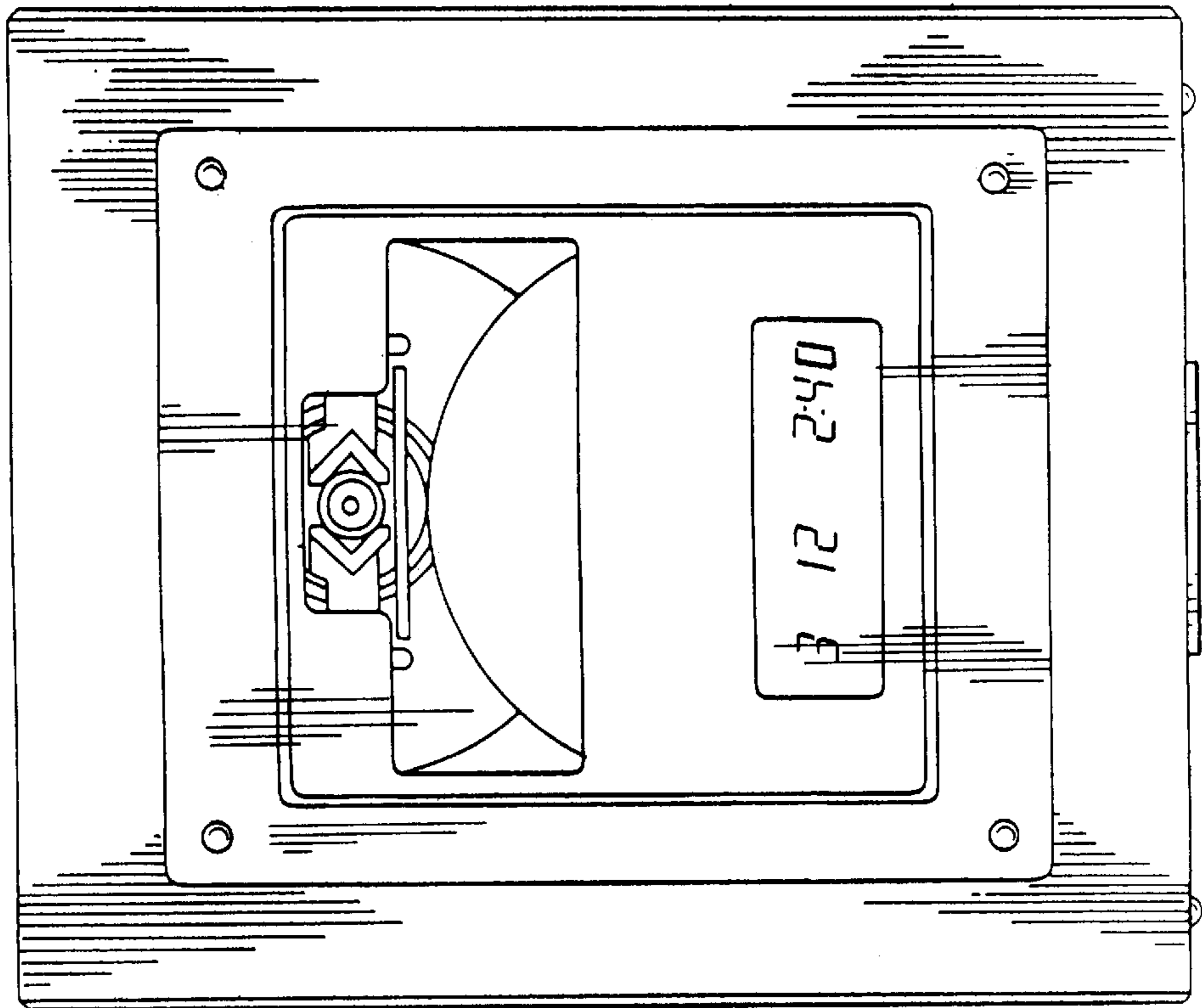


FIG. 7

FIG.9

