



US00D435532S

# United States Patent [19]

Hisatsune

[11] Patent Number: Des. 435,532

[45] Date of Patent: \*\* Dec. 26, 2000

[54] DISC PLAYER

[75] Inventor: Toshiyuki Hisatsune, Tokyo, Japan

[73] Assignee: Sony Corporation, Japan

[\*\*] Term: 14 Years

[21] Appl. No.: 29/120,633

[22] Filed: Mar. 23, 2000

[51] LOC (7) Cl. .... 14-01

[52] U.S. Cl. .... D14/156

[58] Field of Search ..... D14/135-136,  
D14/156-157, 160, 167; 361/679-681,  
683, 724; 369/75.1, 75.2, 77.1, 77.2

[56] **References Cited**

U.S. PATENT DOCUMENTS

D. 390,227	2/1998	Uchiyama	.....	D14/156
D. 407,393	3/1999	Kazama	.....	D14/125
D. 407,401	3/1999	Niitsu	.....	D14/156
D. 410,237	5/1999	Kanatani	.....	D14/156
D. 414,182	9/1999	Miyazaki	.....	D14/156
D. 416,896	11/1999	Ogasawara	.....	D14/156

D. 419,989	2/2000	Uchiyama	.....	D14/135
4,695,996	9/1987	Sugihara et al.	.....	369/77.1
5,172,360	12/1992	Decoster	.....	369/75.2

OTHER PUBLICATIONS

“87”(AVU-700) Sony, p. 147, Nov. 1997.  
“99”(CDP-CE515) Sony, p. 122, Nov. 1998.

Primary Examiner—Nanda Bondade  
Attorney, Agent, or Firm—Rader, Fishman & Grauer

[57] **CLAIM**

The ornamental design for a disc player, as shown and described.

**DESCRIPTION**

FIG. 1 is a perspective view of disc player showing my design;  
FIG. 2 is a top plan view thereof;  
FIG. 3 is a bottom plan view thereof;  
FIG. 4 is a front elevational view thereof;  
FIG. 5 is a rear elevational view thereof;  
FIG. 6 is a left side elevational view thereof; and,  
FIG. 7 is a right side elevational view thereof.

1 Claim, 4 Drawing Sheets

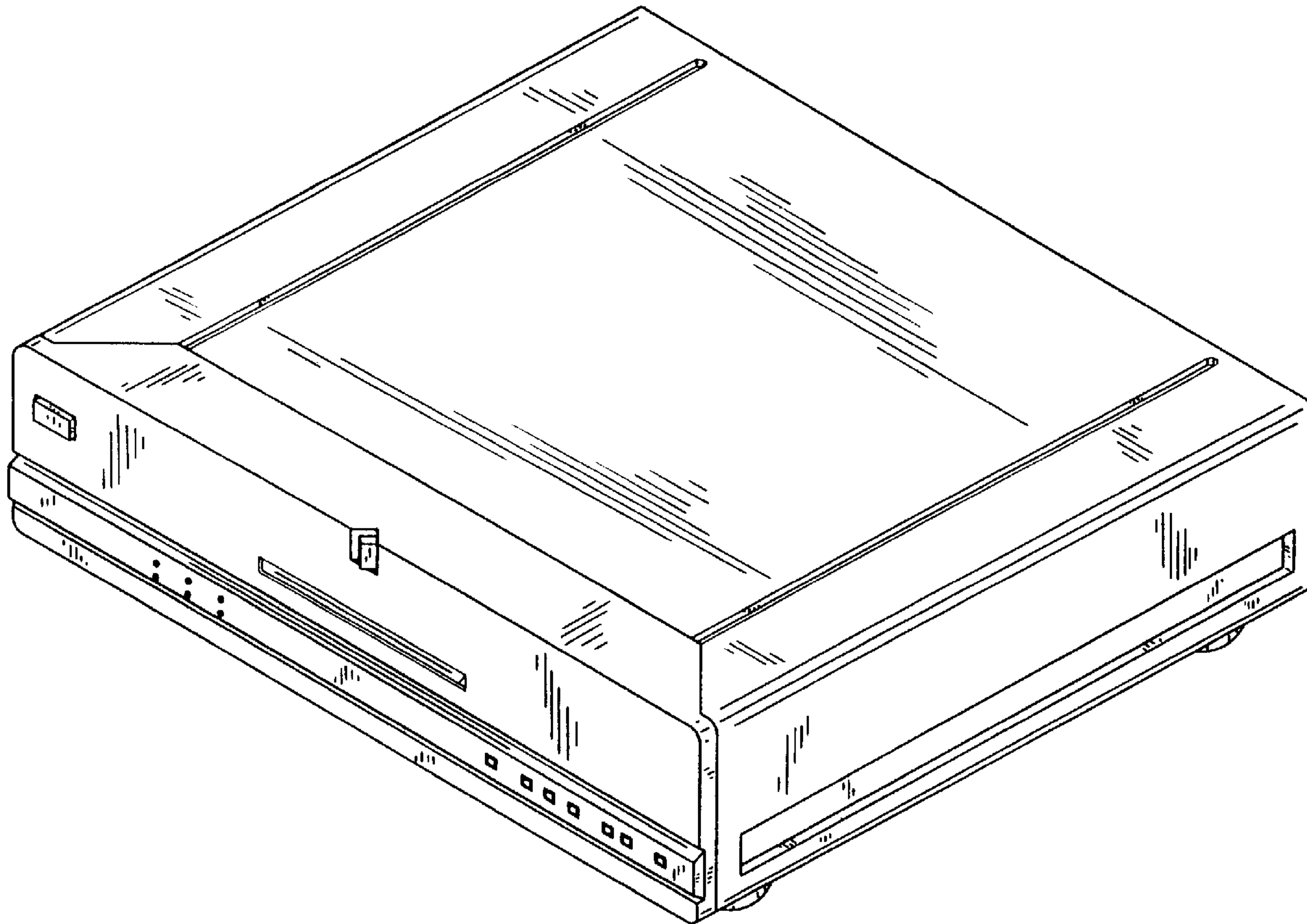


FIG. 1

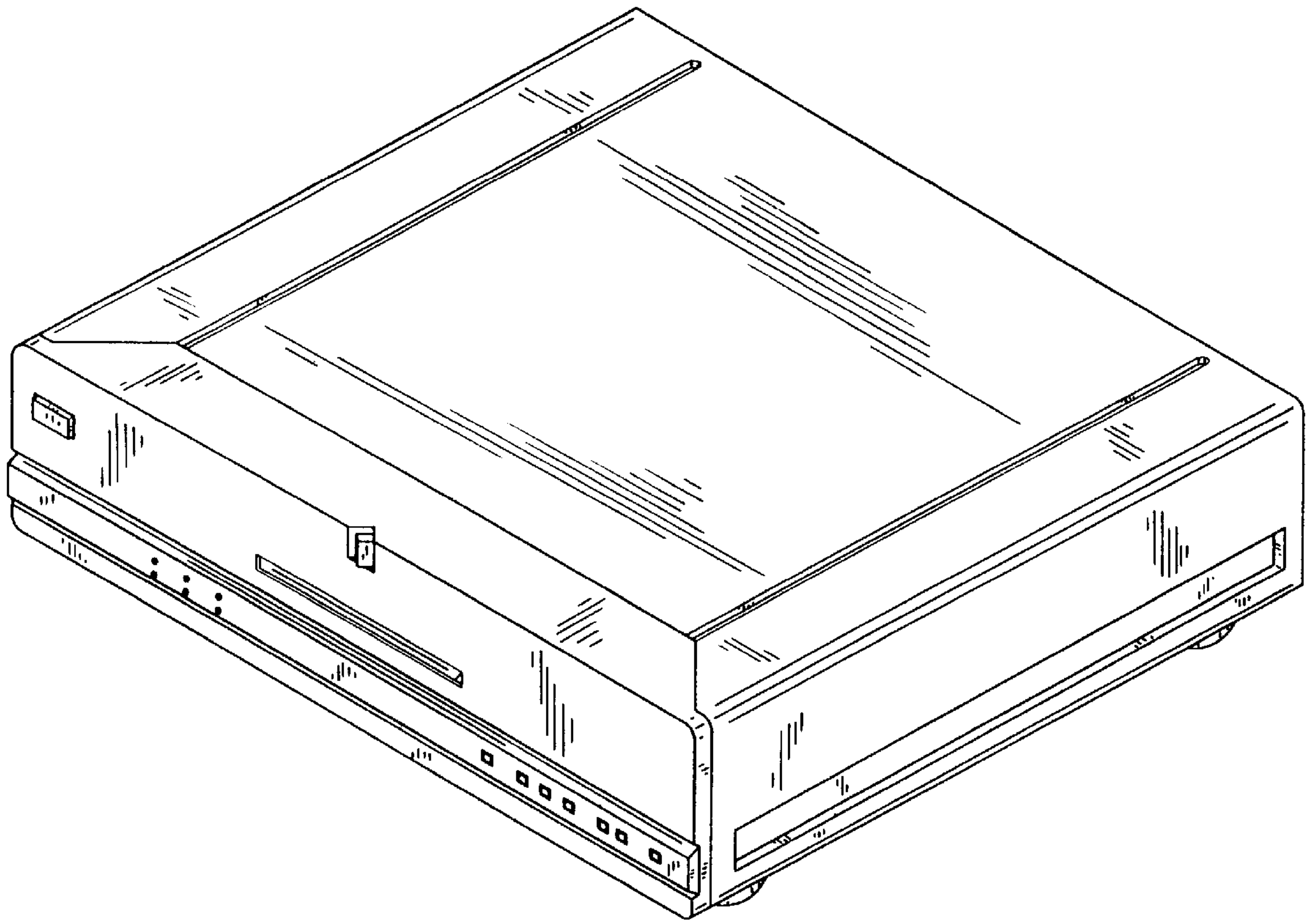


FIG. 2

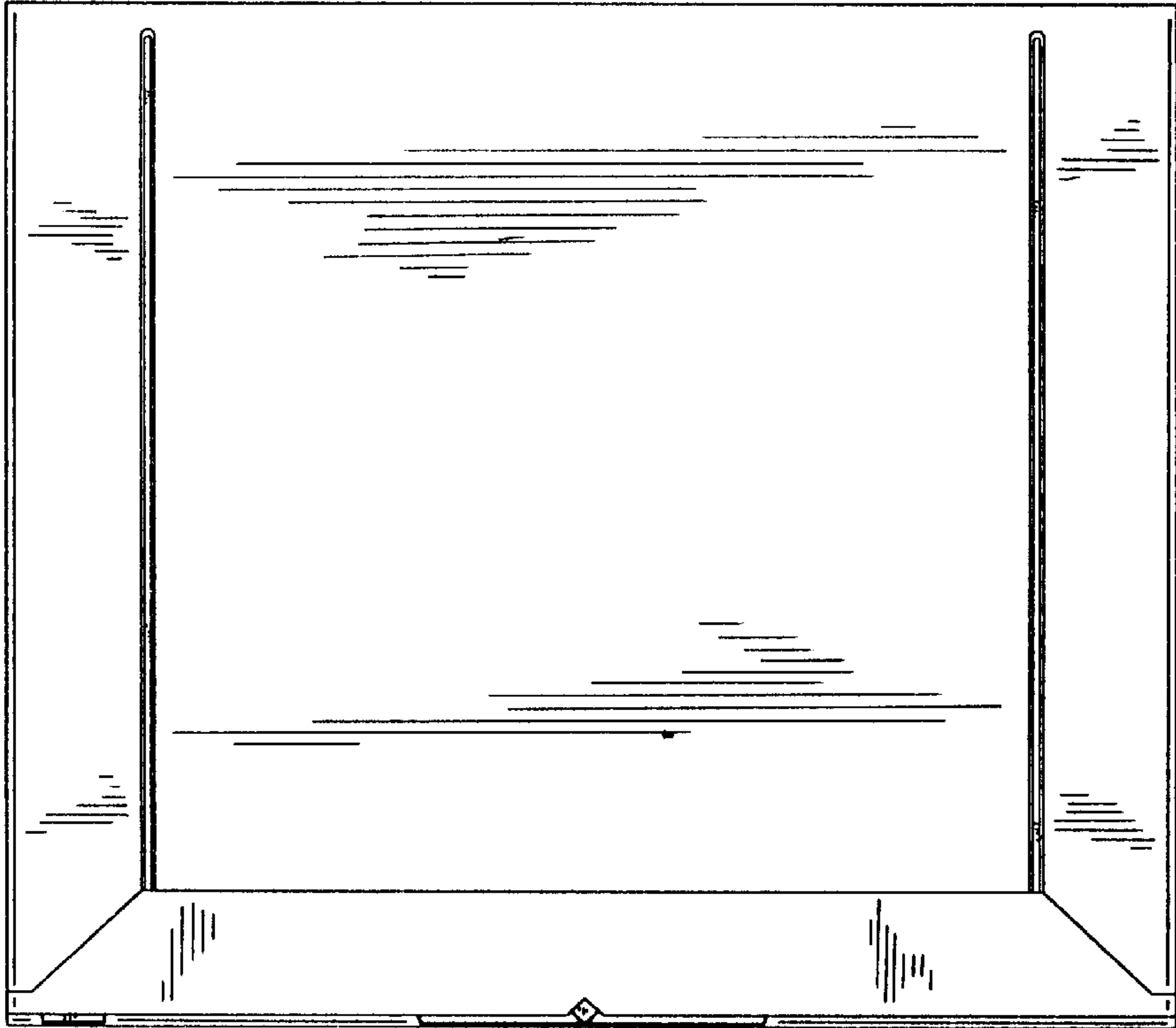
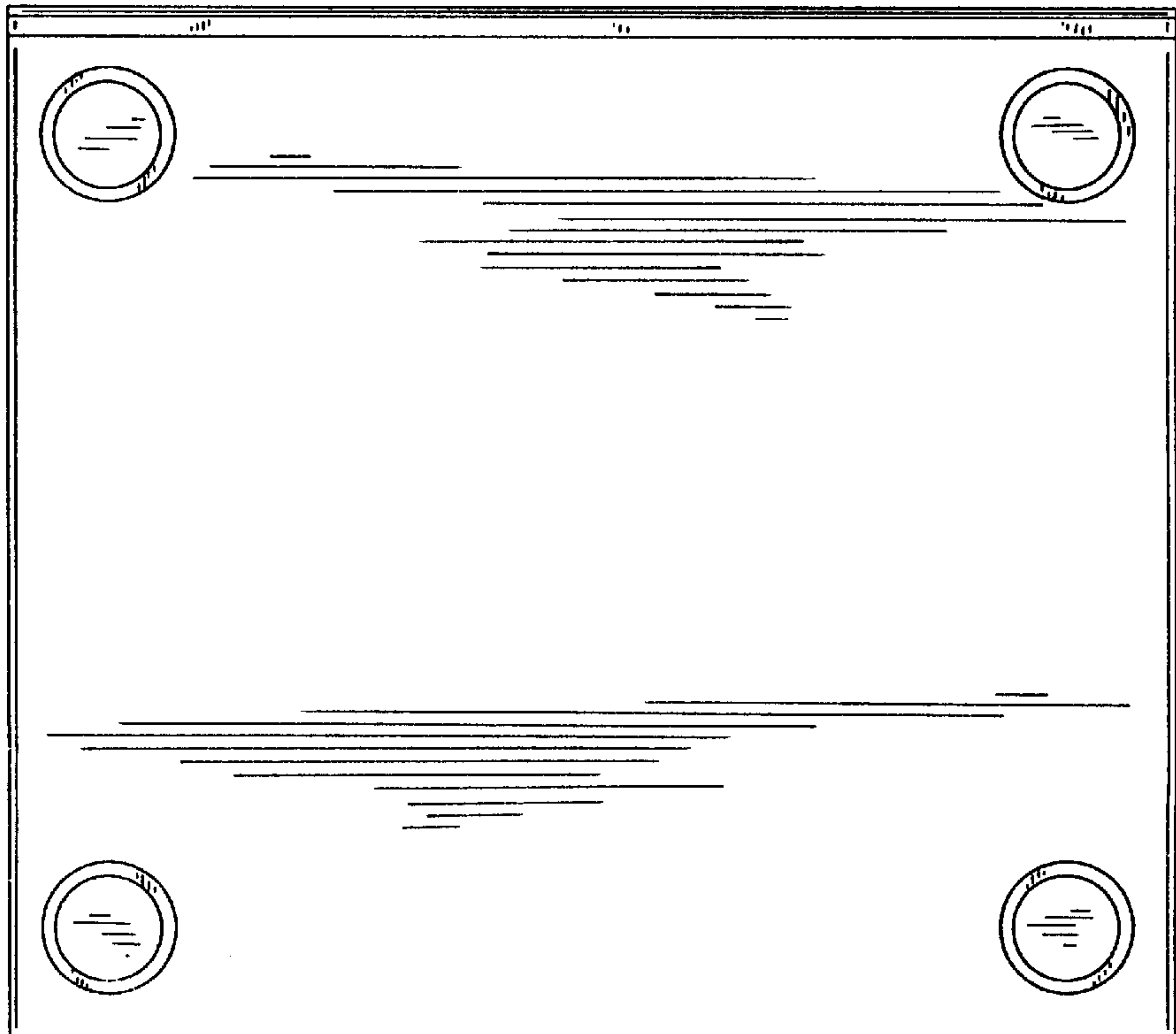
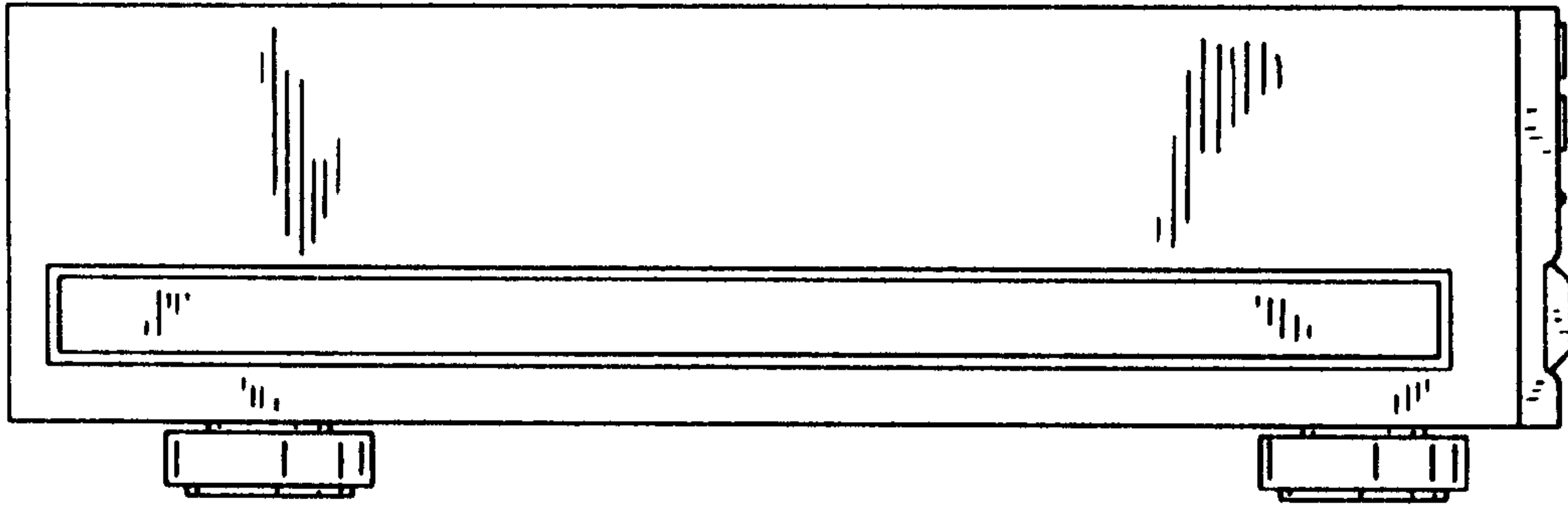


FIG. 3



# FIG. 4



# FIG. 5

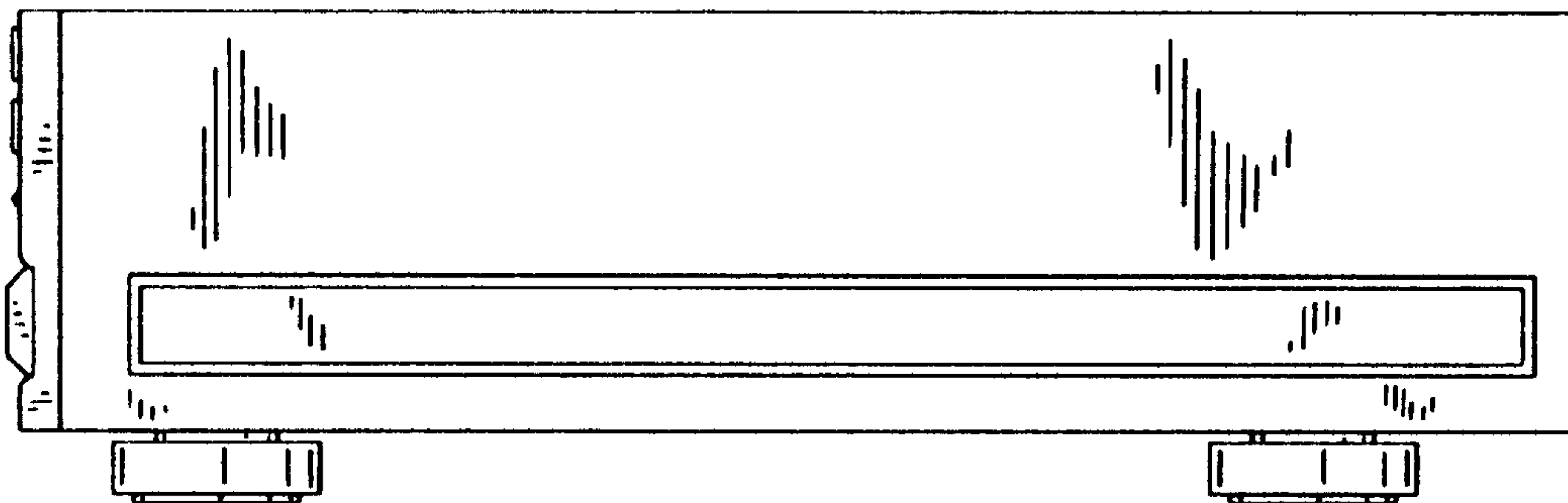


FIG. 6

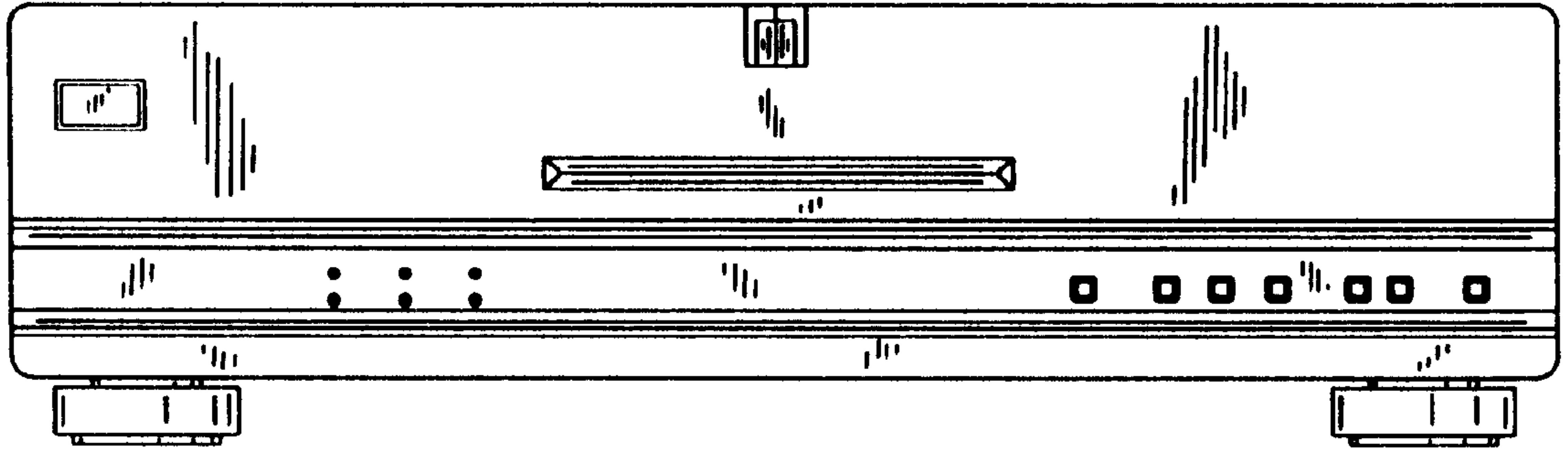


FIG. 7

