



US00D435530S

United States Patent [19]
Christensen et al.

[11] **Patent Number: Des. 435,530**
[45] **Date of Patent: ** Dec. 26, 2000**

[54] **INTERACTIVE TELEPHONE STATION**

[76] Inventors: **Scott B. Christensen**, 10 NE. 13 St.,
Delray Beach, Fla. 33444; **David L. Grabowski**, 2147 NE. 62 Ct., Fort
Lauderdale, Fla. 33308

[**] Term: **14 Years**

[21] Appl. No.: **29/115,041**

[22] Filed: **Dec. 6, 1999**

[51] **LOC (7) Cl.** **14-03**

[52] **U.S. Cl.** **D14/146; D14/130**

[58] **Field of Search** D14/130, 101,
D14/140, 142, 149-151, 241, 141, 146,
240, 138, 144, 329, 330, 137; 379/433-436,
93.19, 419, 420, 428, 440, 430, 453, 143-155,
368, 441, 442

D. 300,926	5/1989	Morikawa et al.	D14/151
D. 302,815	8/1989	Goatman	D14/151
D. 317,757	6/1991	Yokoi et al.	D14/101
D. 354,047	1/1995	Leggate et al.	D14/101
D. 359,490	6/1995	Arakaki et al.	D14/146
D. 382,557	8/1997	Solomita et al.	D14/149
D. 383,750	9/1997	Disanto et al.	D14/151
D. 411,534	6/1999	Lepack et al.	D14/130
D. 411,987	7/1999	Mizusugi et al.	D14/101
D. 424,049	5/2000	Ho et al.	D14/130
4,937,877	6/1990	Pocock et al.	379/420 X
5,127,050	6/1992	Takahashi et al.	379/428
5,835,577	11/1998	Disanto et al.	379/93.19

Primary Examiner—Jeffrey Asch
Attorney, Agent, or Firm—M. K. Silverman

[57] **CLAIM**

The ornamental design for an interactive telephone station,
as shown and described.

DESCRIPTION

FIG. 1 is a front and side perspective view of the present
invention.

FIG. 2 is a front elevational view thereof.

The phantom lines in FIGS. 1 and 2 do not constitute a part
of the claimed design.

FIG. 3 is a left elevational view thereof.

FIG. 4 is a right elevational view thereof.

FIG. 5 is a bottom view thereof; and,

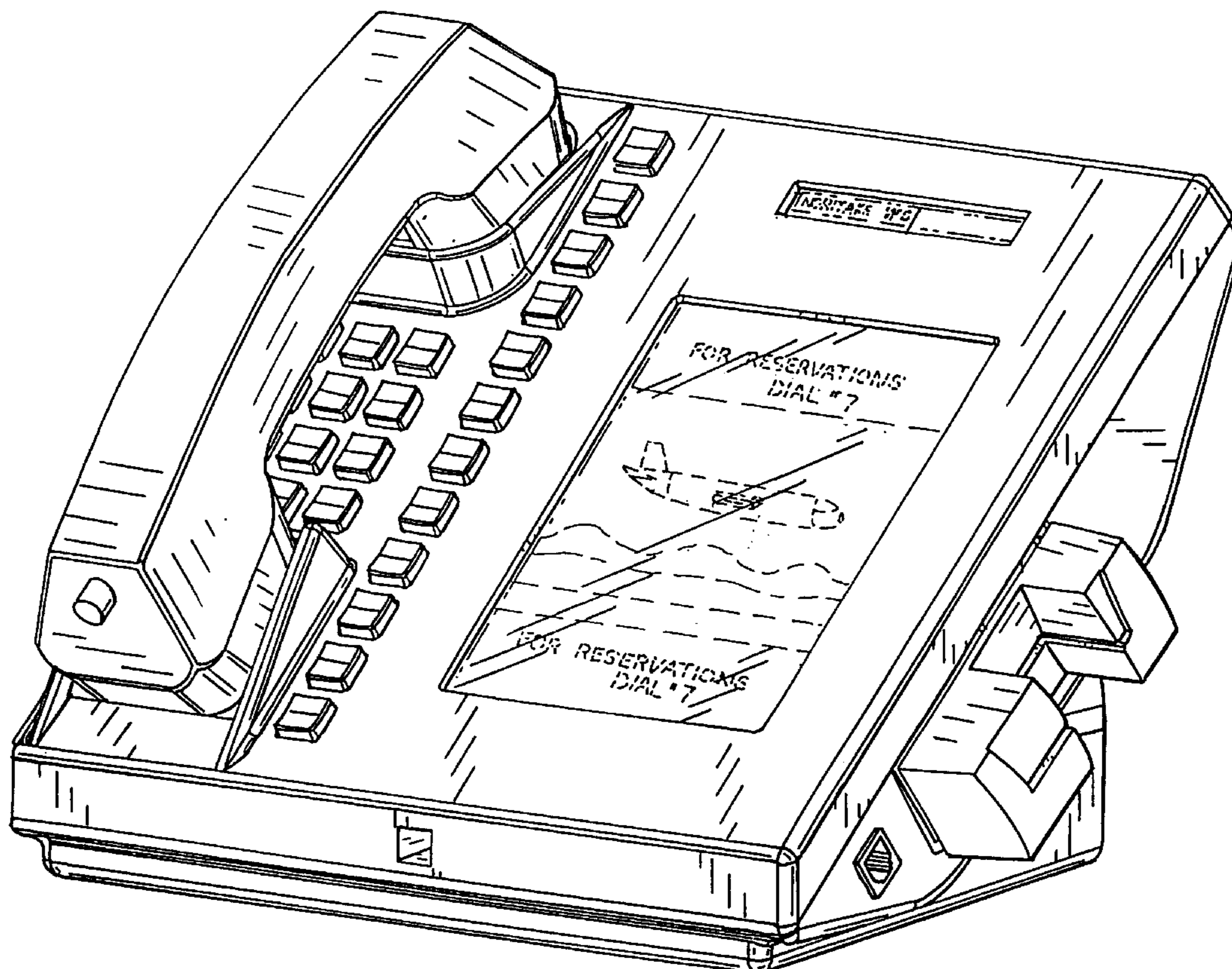
FIG. 6 is a rear view thereof.

1 Claim, 6 Drawing Sheets

[56] **References Cited**

U.S. PATENT DOCUMENTS

D. 203,679	2/1966	Burlin et al.	D14/151
D. 279,372	6/1985	Baba et al.	D14/141
D. 283,615	4/1986	Dupree	D14/144
D. 283,618	4/1986	Janda et al.	D14/142
D. 287,011	12/1986	Kaku	D14/151
D. 289,897	5/1987	Felix et al.	D14/149
D. 291,563	8/1987	Perry	D14/146
D. 295,408	4/1988	Boykiw	D14/149
D. 298,131	10/1988	Gagnon	D14/149



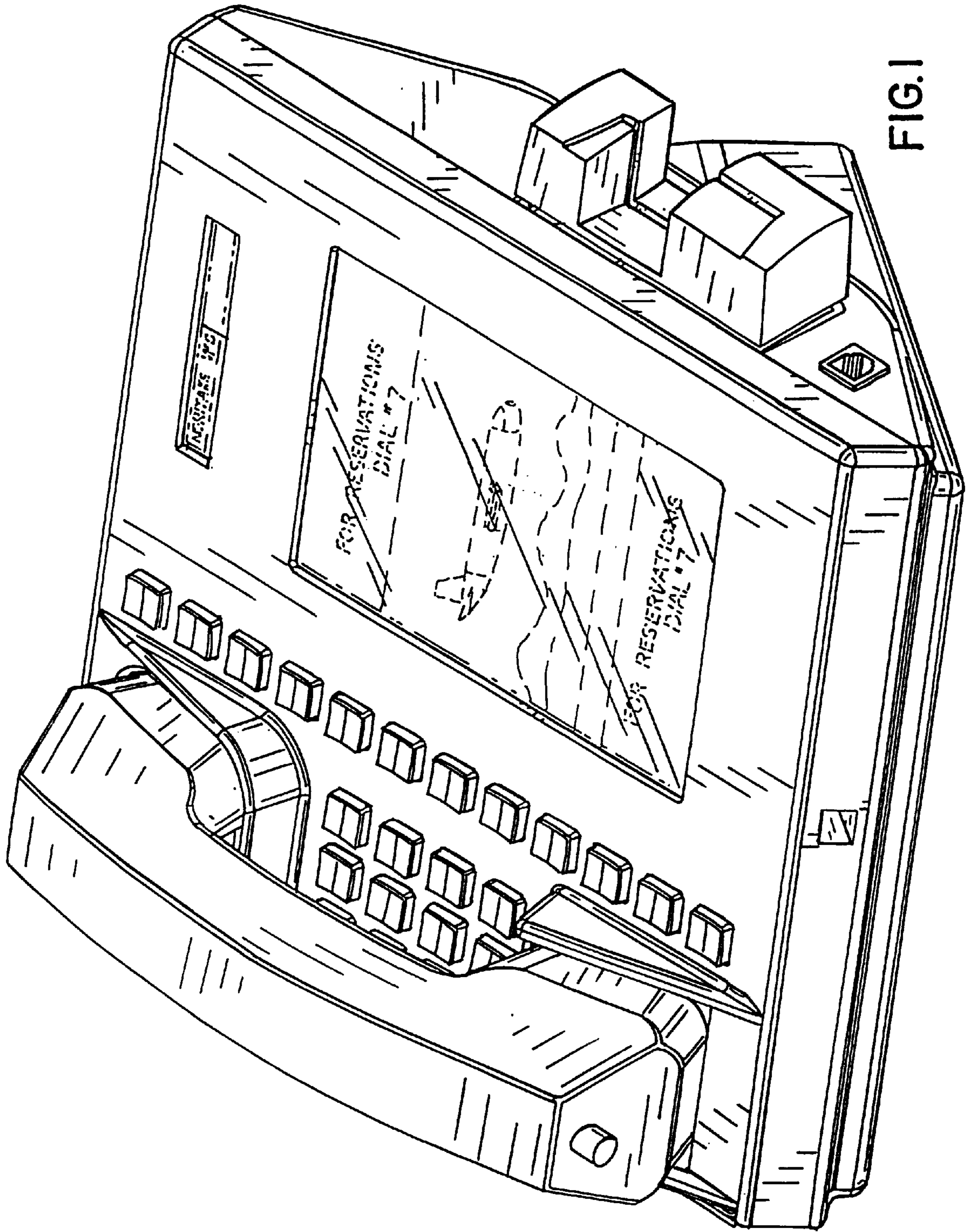


FIG. 1

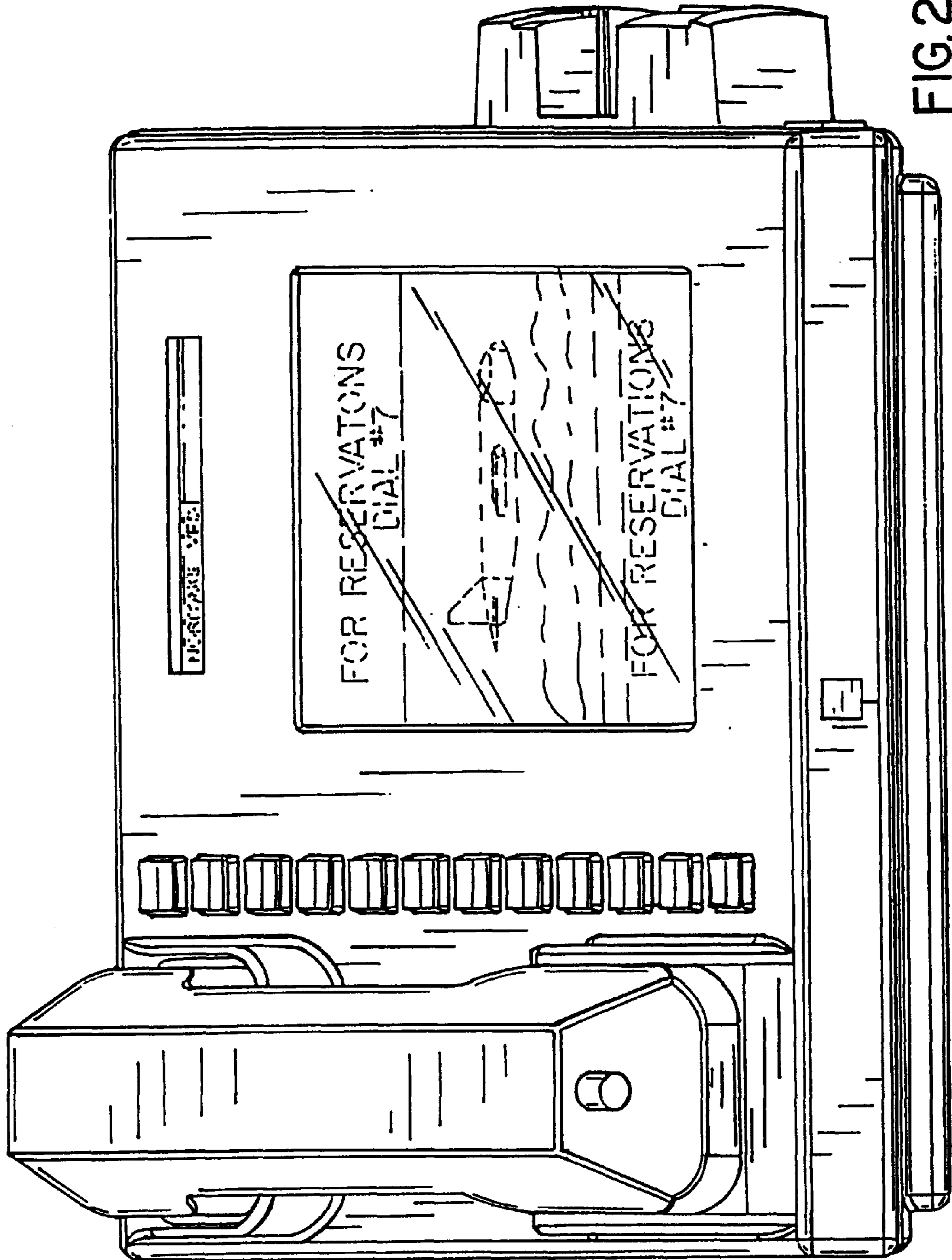


FIG. 2

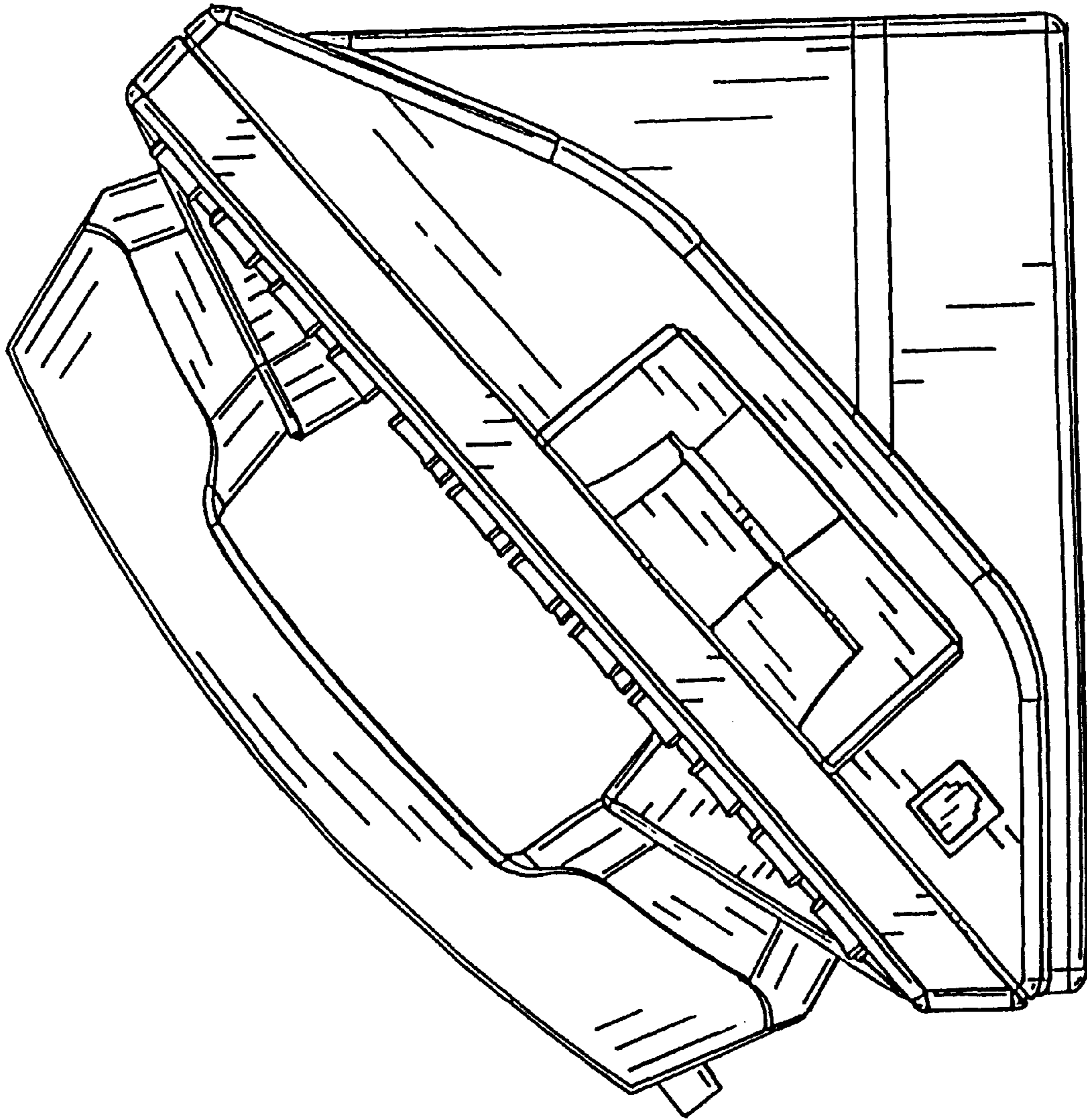


FIG. 3

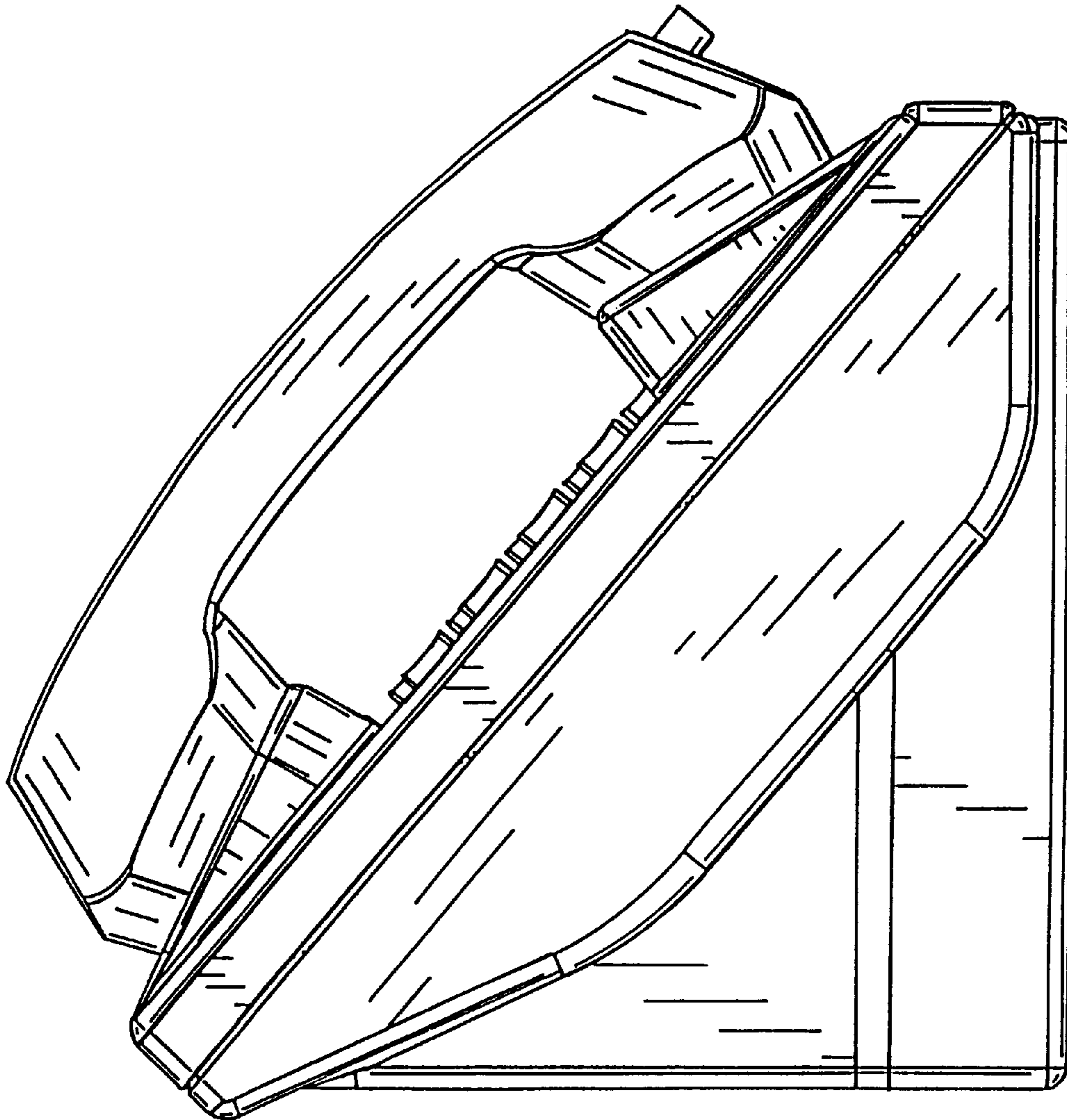


FIG. 4

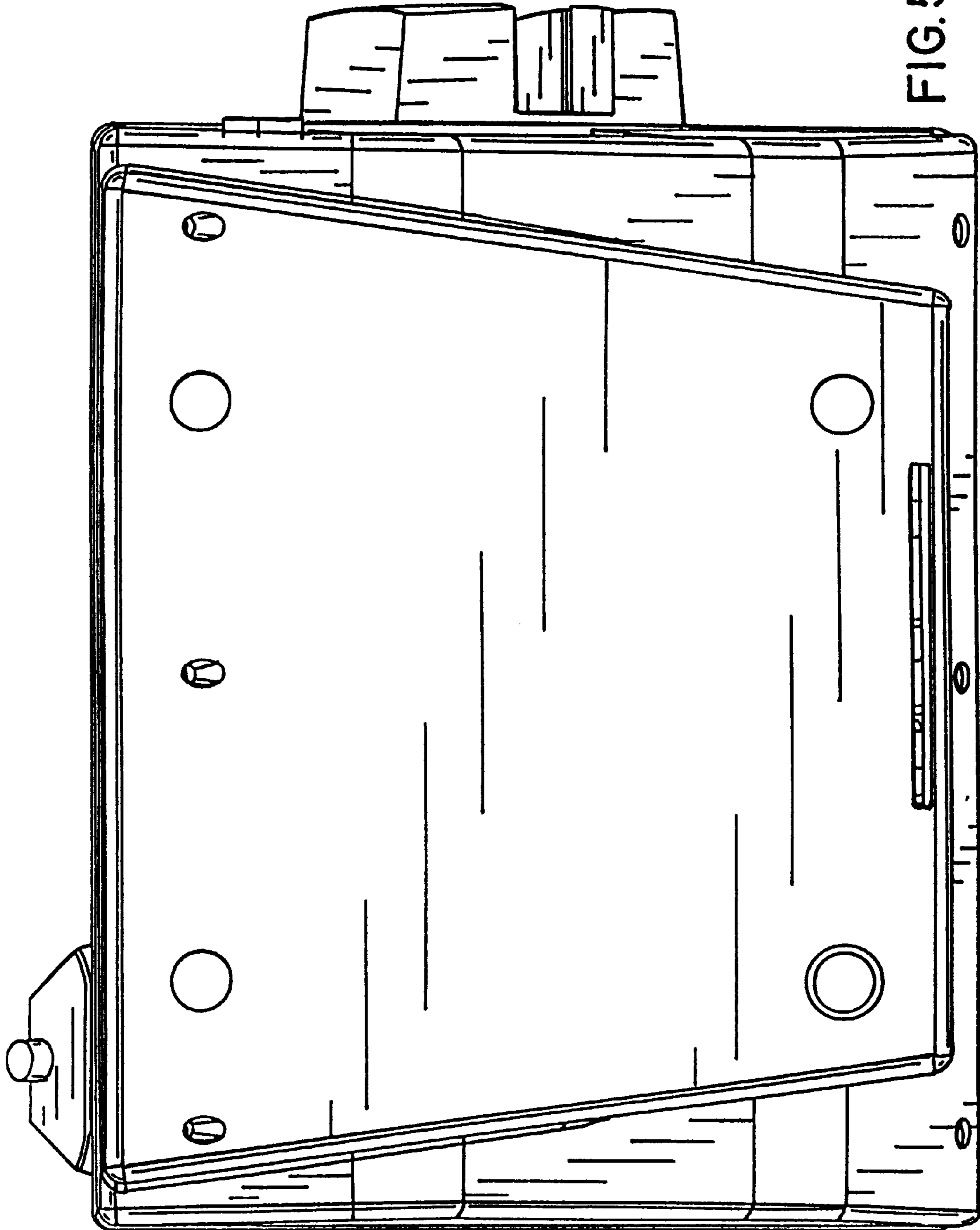


FIG. 5

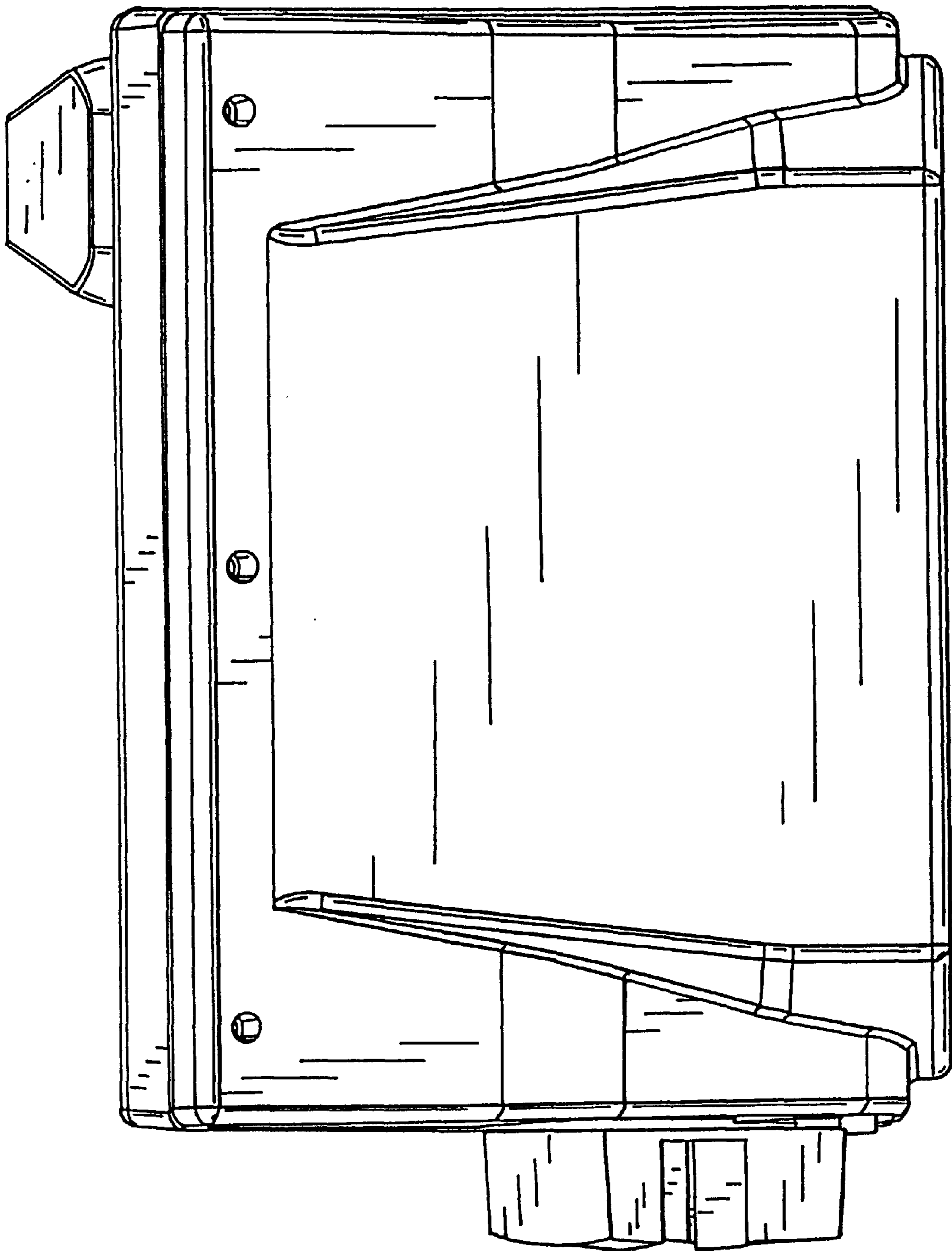


FIG. 6