



US00D435523S

United States Patent [19]

Ciornei et al.

[11] Patent Number: Des. 435,523

[45] Date of Patent: ** Dec. 26, 2000

[54] REMOTE CONTROL KEYPAD

[75] Inventors: Oscar A. Ciornei; Joshua M. Cooper, both of Portsmouth; John M. Cronk; G. William Ramsdell, both of Barrington; Jeffrey D. Myatt, Manchester, all of N.H.; Chang Sun Lee, Seoul; Hyun Duck Lee, Inchon, both of Rep. of Korea

[73] Assignee: Russound/FMP, Inc., Newmarket, N.H.

[**] Term: 14 Years

[21] Appl. No.: 29/117,456

[22] Filed: Jan. 25, 2000

[51] LOC (7) Cl. 13-03

[52] U.S. Cl. D13/164

[58] Field of Search D13/158, 162, D13/164, 171, 173, 174, 177; 174/48, 52.1, 66; 200/42.01, 229, 237, 308, 310, 313, 314, 331, 348; 361/620, 627

[56] References Cited

U.S. PATENT DOCUMENTS

D. 310,814 9/1990 Rosenbaum et al. D13/158

D. 310,818 9/1990 Zaretsky et al. D13/171 X
D. 310,819 9/1990 Watson et al. D13/171 X
D. 310,820 9/1990 Watson et al. D13/171
D. 381,633 7/1997 Hiyakumoto et al. D13/162
D. 415,155 10/1999 Kokkinis D13/164
D. 422,567 4/2000 Mayo et al. D13/162

Primary Examiner—Brian N. Vinson
Attorney, Agent, or Firm—Weingarten, Schurgin, Gagnebin & Hayes LLP

[57] CLAIM

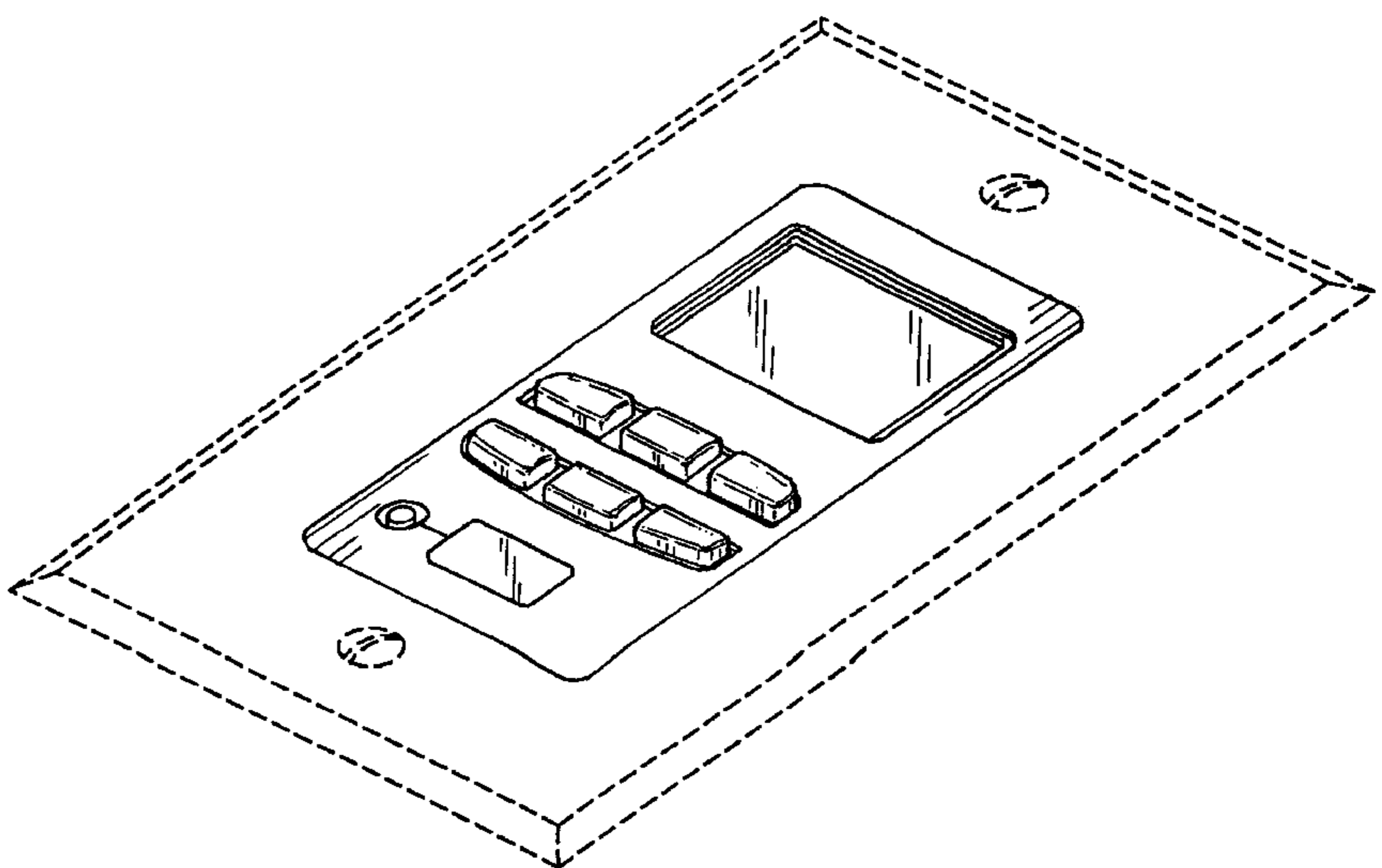
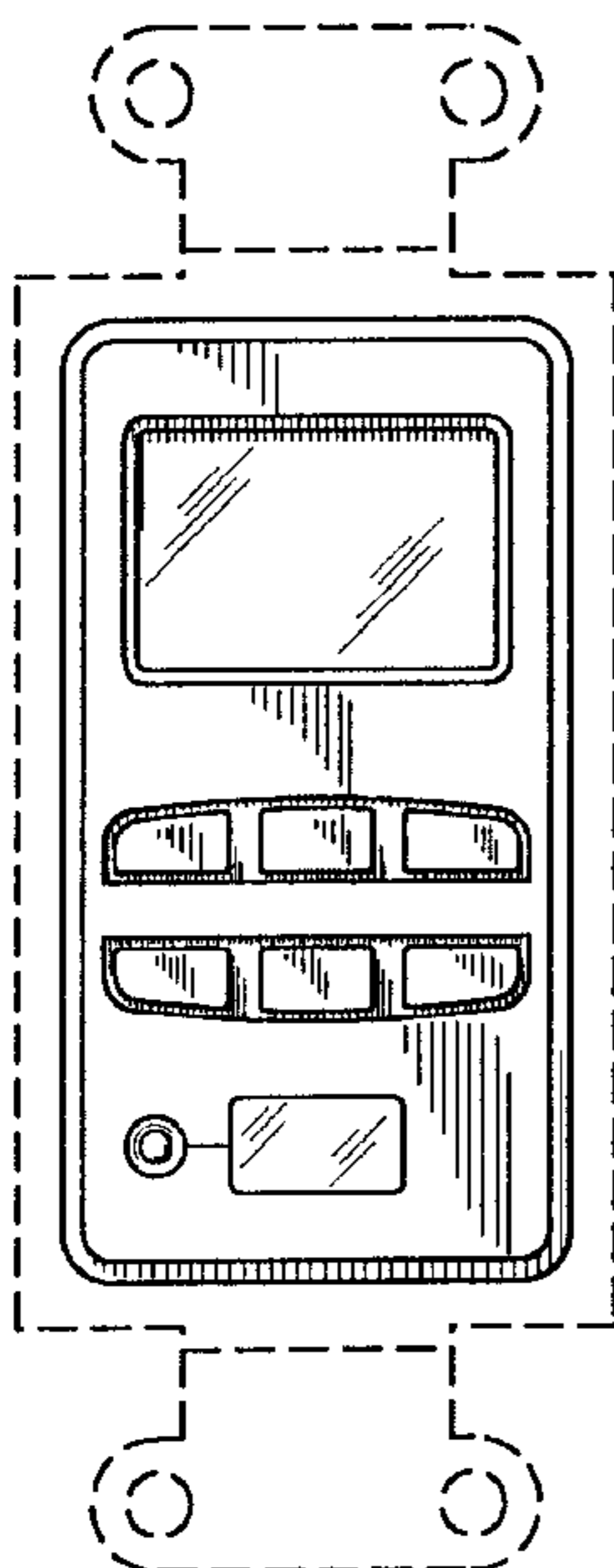
The ornamental design for a remote control keypad, as shown and described.

DESCRIPTION

FIG. 1 is a front view of the remote control keypad; FIG. 2 is a right side view of the remote control keypad; FIG. 3 is a left side view of the remote control keypad; FIG. 4 is a bottom view of the remote control keypad; FIG. 5 is a top view of the remote control keypad; FIG. 6 is an additional front elevational view thereof; and, FIG. 7 is a bottom, front and right side perspective view thereof.

The broken-line disclosure of the wall plate in the views is for illustrative purposes only and forms no part of the claimed design.

1 Claim, 2 Drawing Sheets



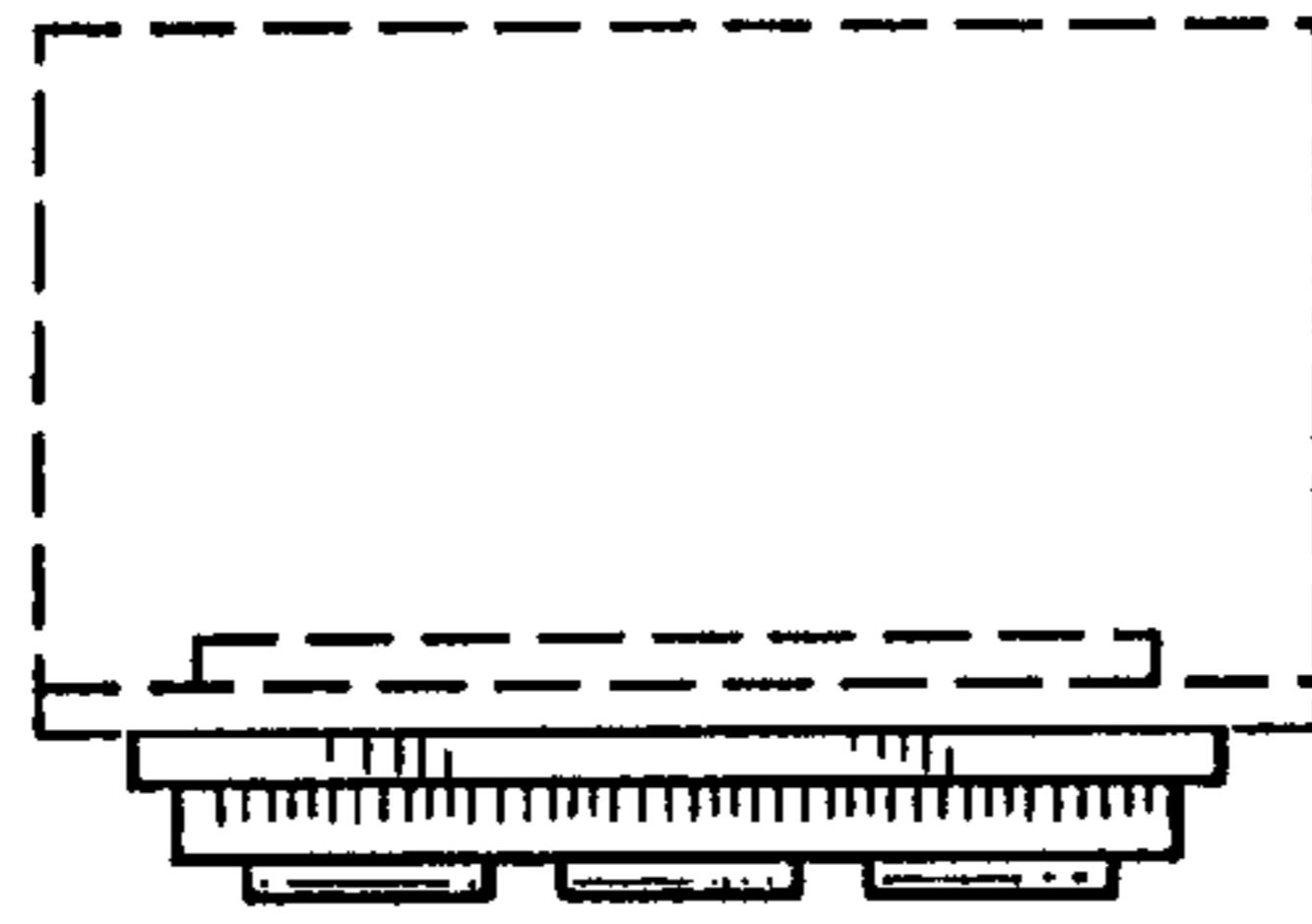


FIG. 5

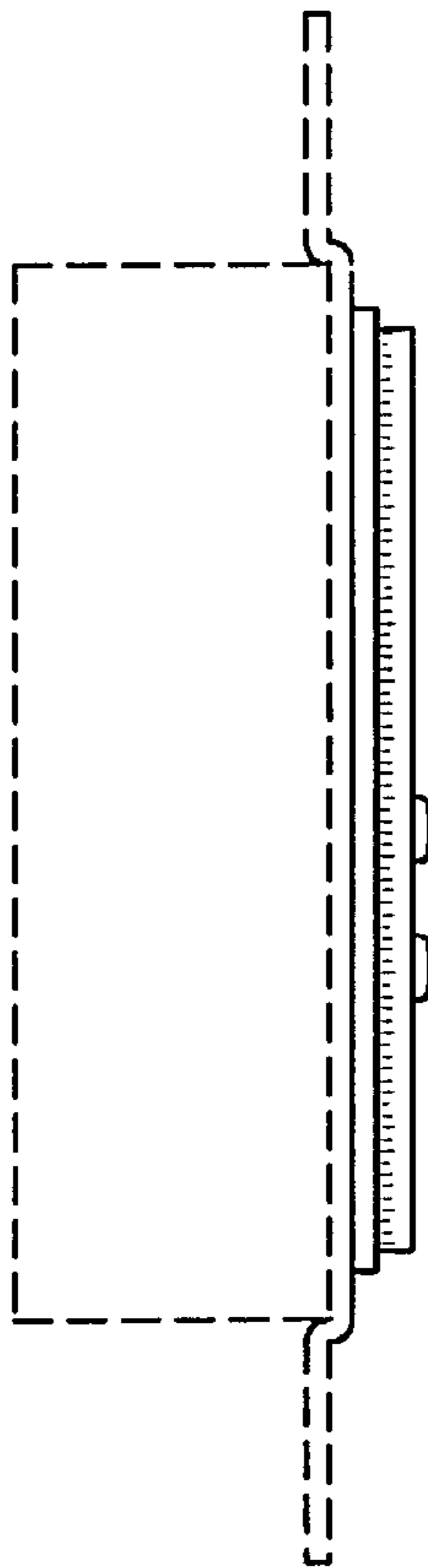


FIG. 3

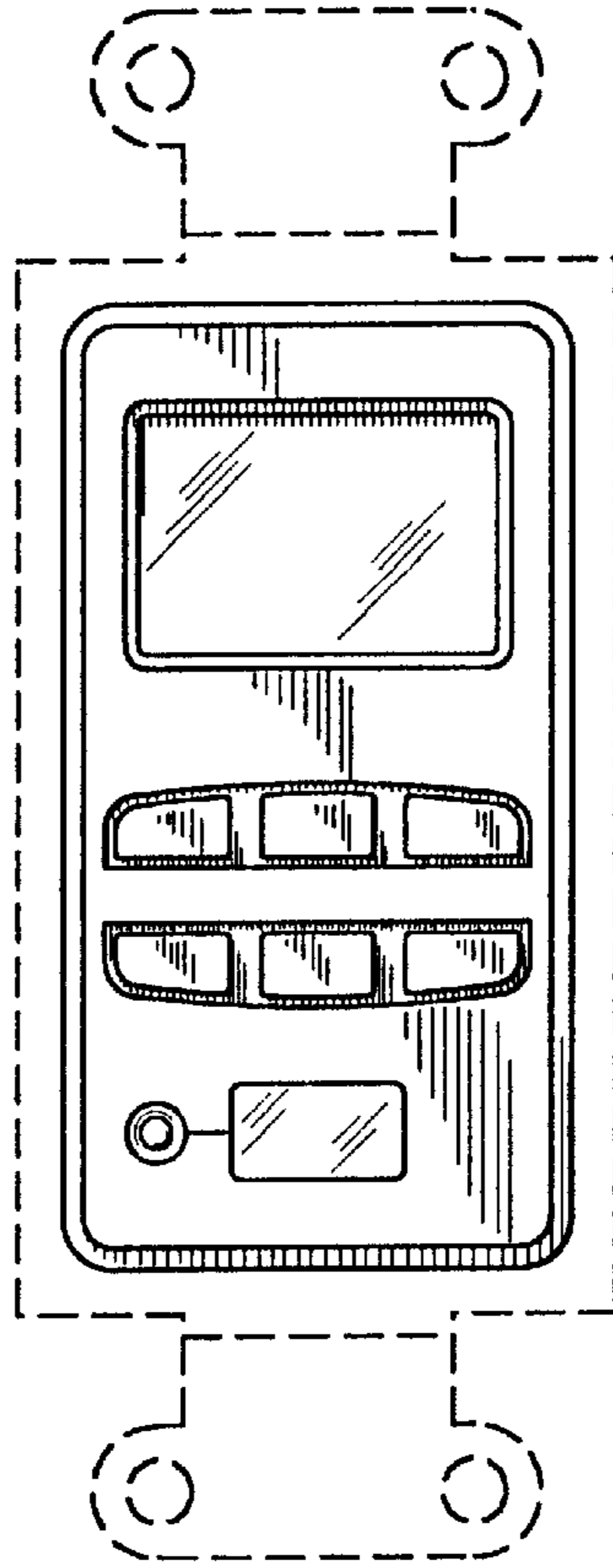


FIG. 1

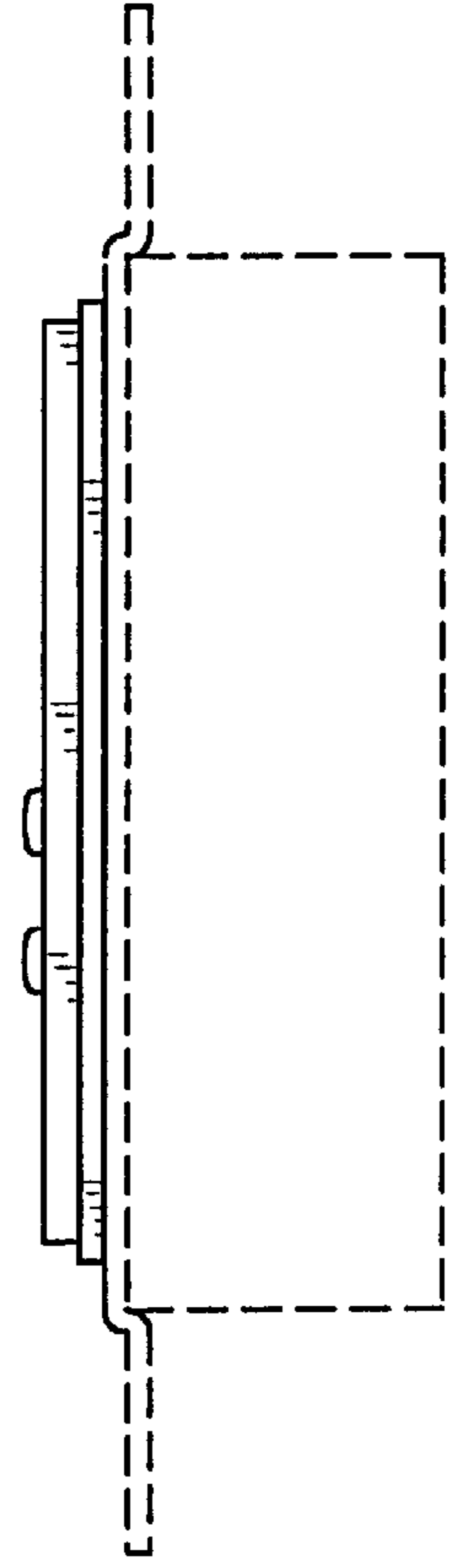


FIG. 2

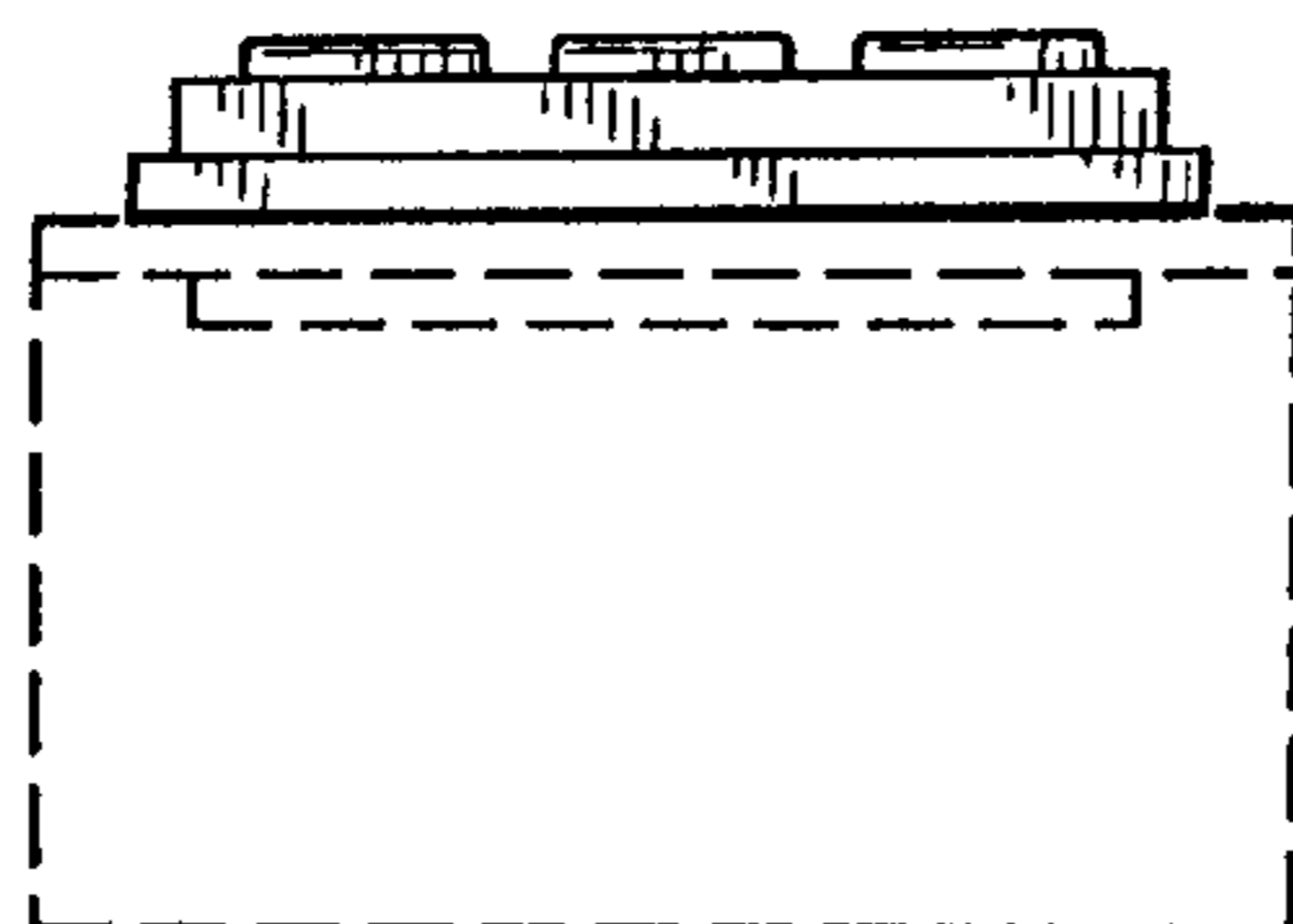


FIG. 4

FIG. 6

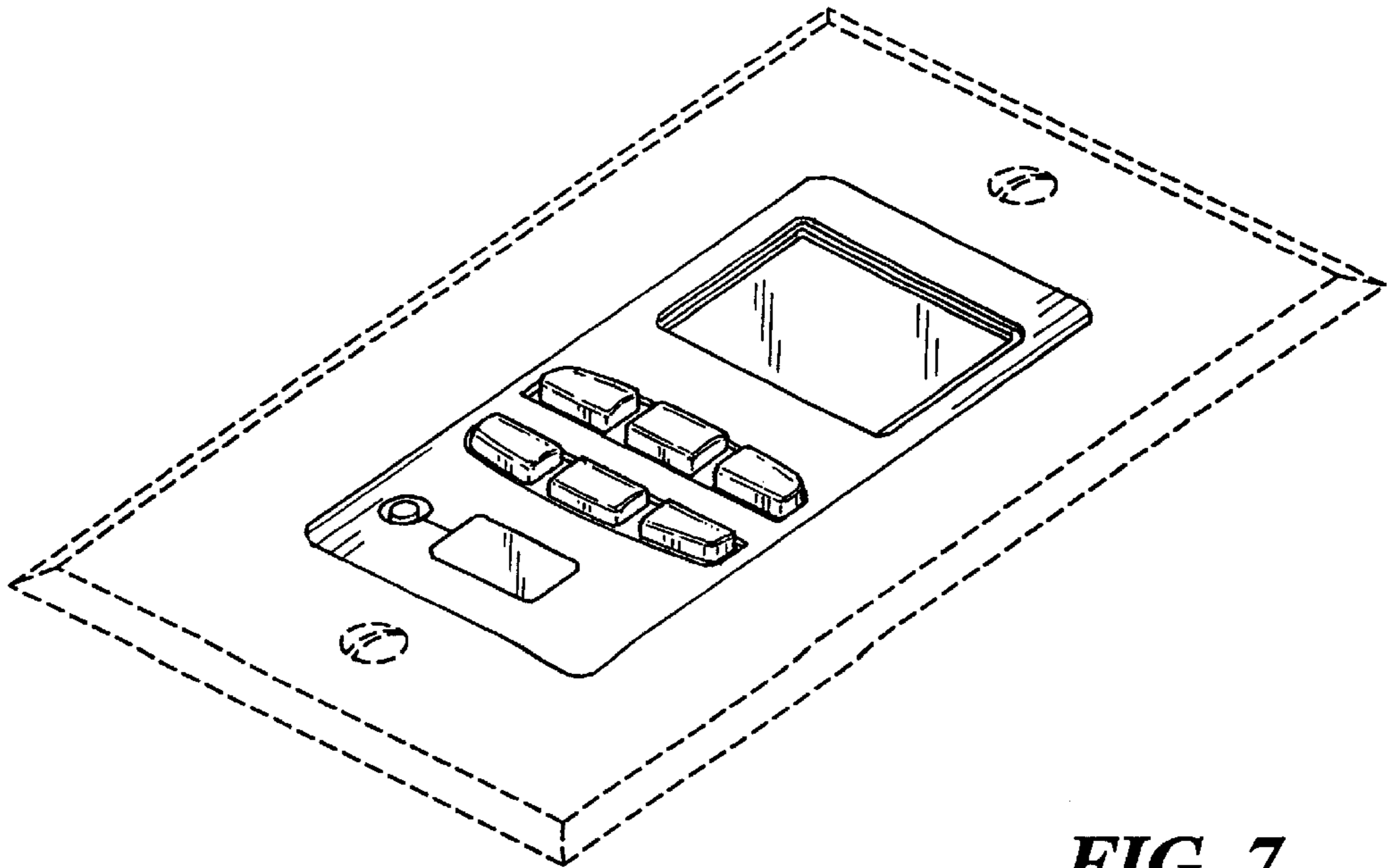
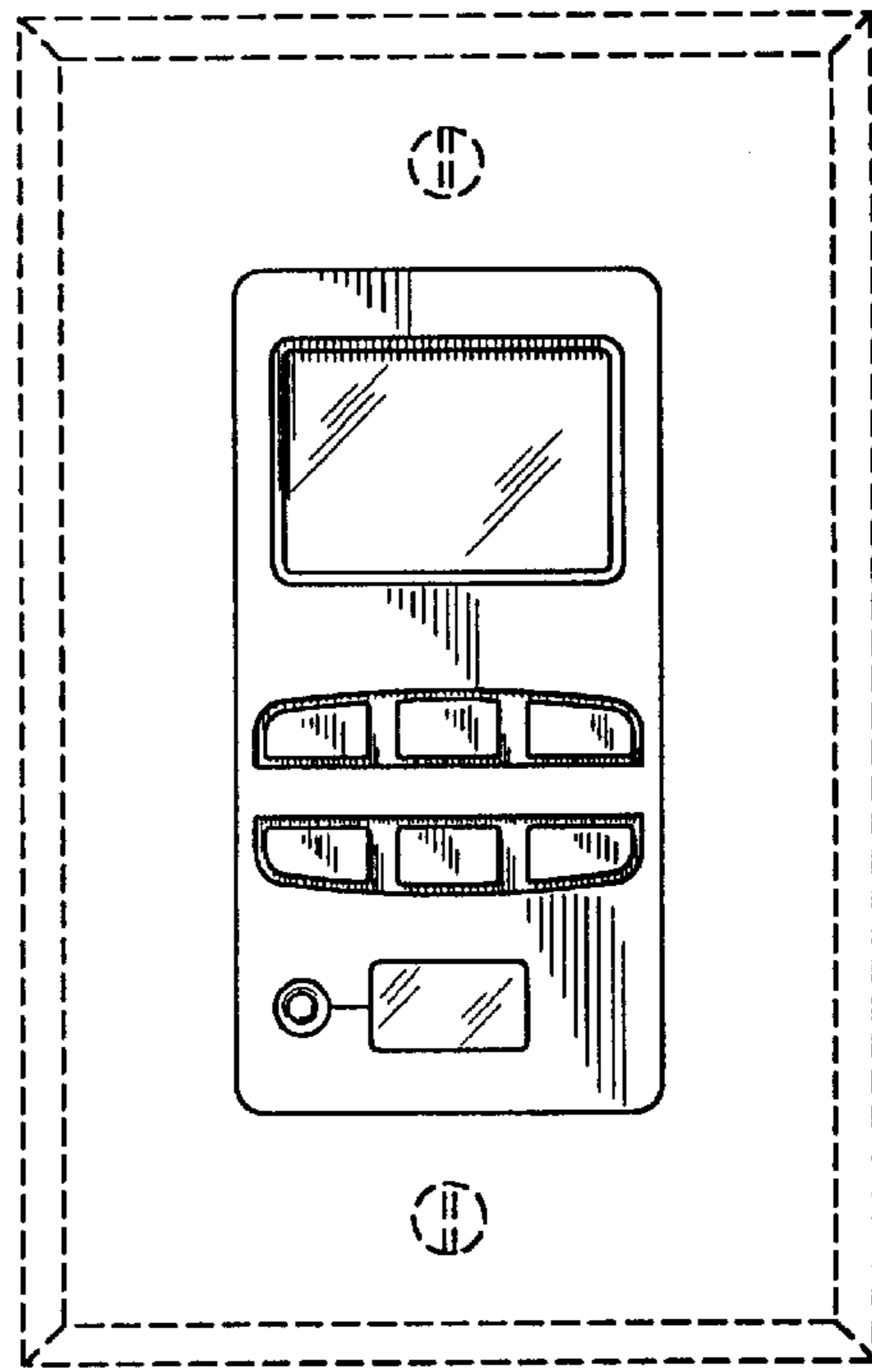


FIG. 7