



US00D435519S

# United States Patent [19] Lee

[11] **Patent Number: Des. 435,519**

[45] **Date of Patent: \*\* Dec. 26, 2000**

[54] **COMPUTER CORD CONNECTOR**

[75] Inventor: **Wei-Hsien Lee, Pan Chiao, Taiwan**

[73] Assignee: **Aten International Co., Ltd., Taipei, Taiwan**

[\*\*] Term: **14 Years**

[21] Appl. No.: **29/123,727**

[22] Filed: **May 24, 2000**

[51] **LOC (7) Cl. .... 13-03**

[52] **U.S. Cl. .... D13/147**

[58] **Field of Search .... D13/146, 147;  
439/362, 607-610, 623, 656**

[56] **References Cited**

**U.S. PATENT DOCUMENTS**

4,722,022 1/1988 Myers et al. .... 361/818  
5,195,909 3/1993 Huss, Jr. et al. .... 439/610 X

5,197,900 3/1993 Ellis et al. .... 439/362 X  
5,848,914 12/1998 Lang et al. .... 439/610  
6,017,245 1/2000 Karir ..... 439/610

*Primary Examiner*—Joel Sincavage  
*Attorney, Agent, or Firm*—Kinney & Lange, P.A.

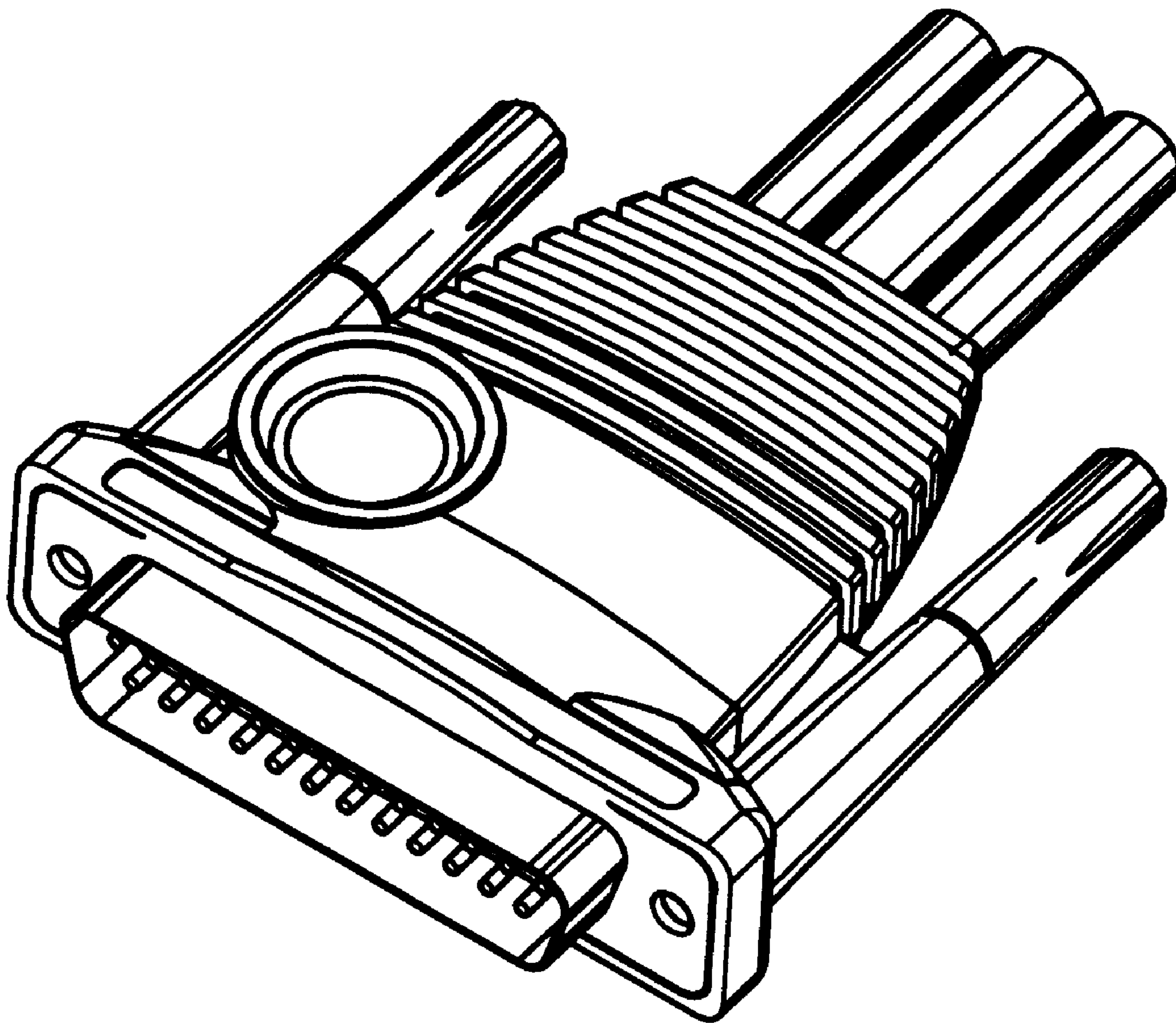
[57] **CLAIM**

The ornamental design for computer cord connector, as shown and described.

**DESCRIPTION**

FIG. 1 is a front elevational view of computer cord connector showing my new design;  
FIG. 2 is a rear elevational view thereof;  
FIG. 3 is a left elevational view thereof;  
FIG. 4 is a right elevational view thereof;  
FIG. 5 is a top plan view thereof;  
FIG. 6 is a bottom plan view thereof; and,  
FIG. 7 is a perspective view thereof.

**1 Claim, 4 Drawing Sheets**



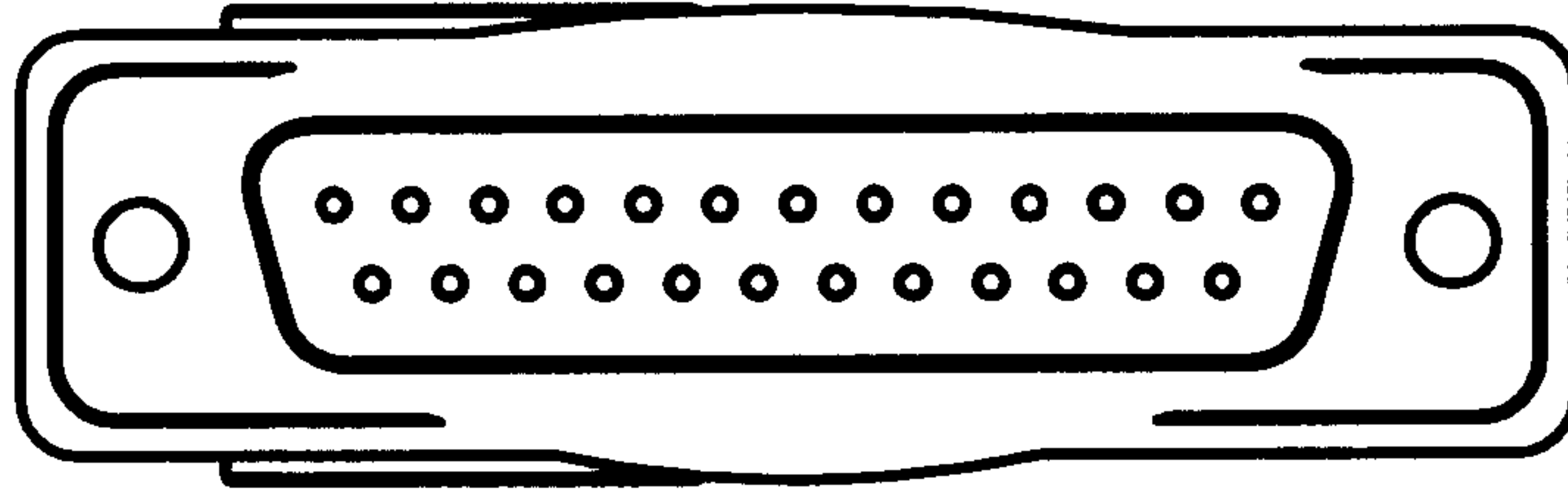


Fig. 1

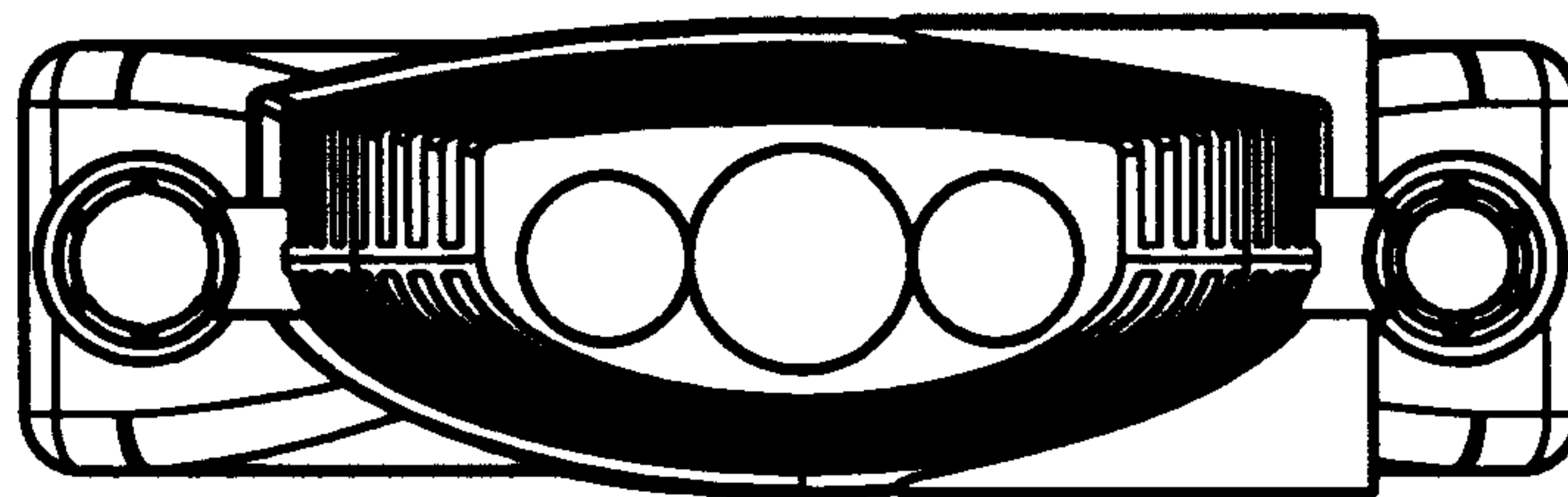


Fig. 2

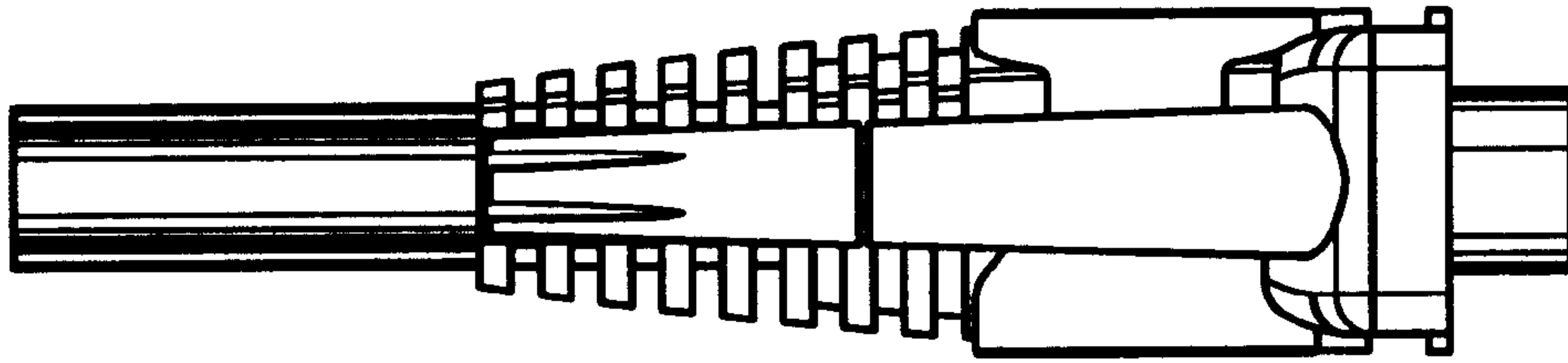


Fig. 3

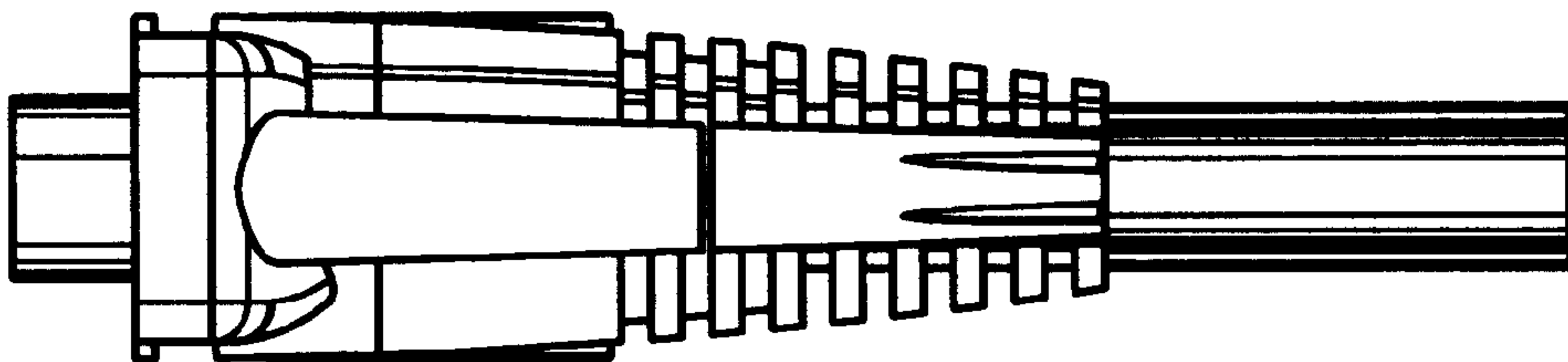


Fig. 4

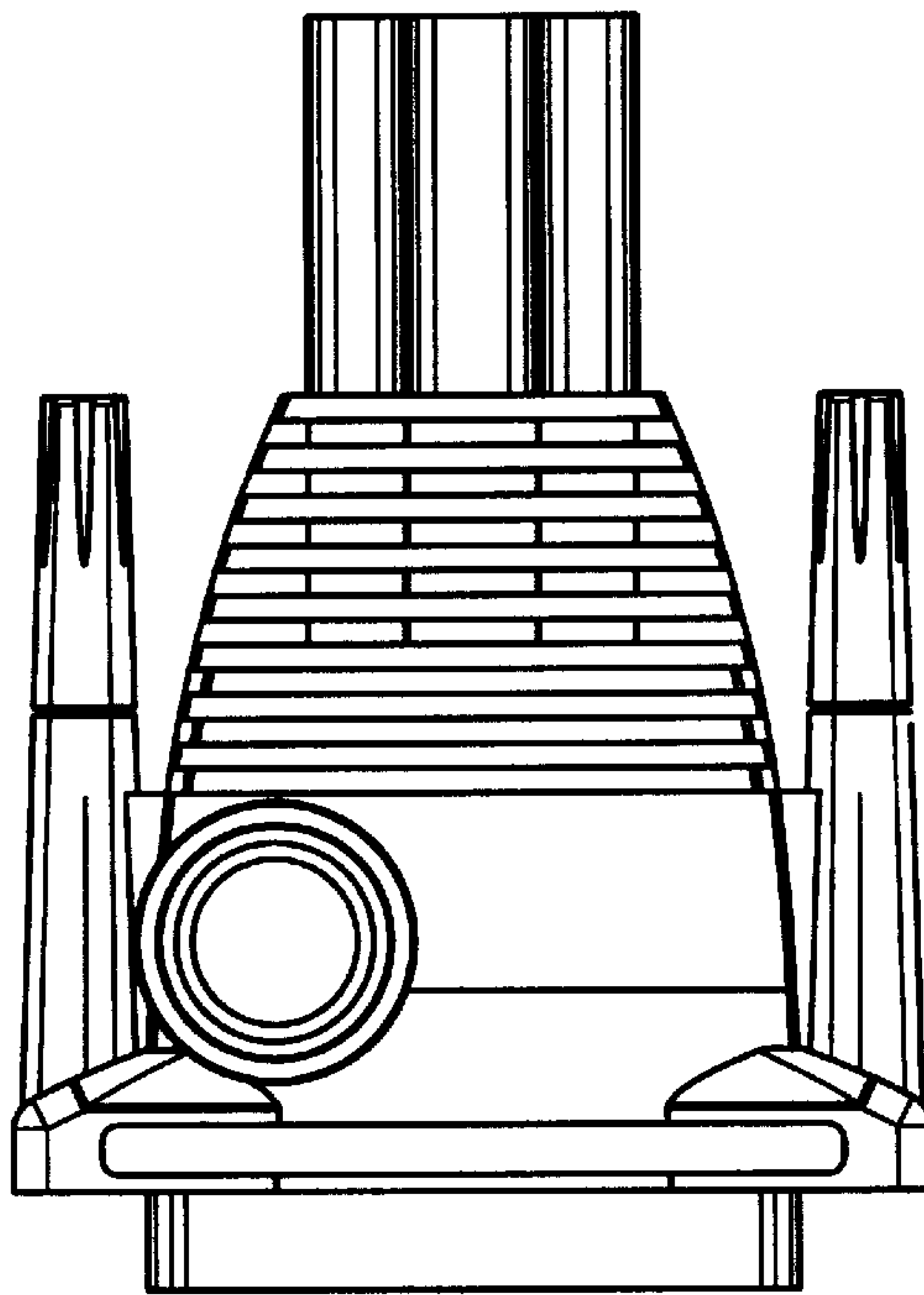


Fig. 5

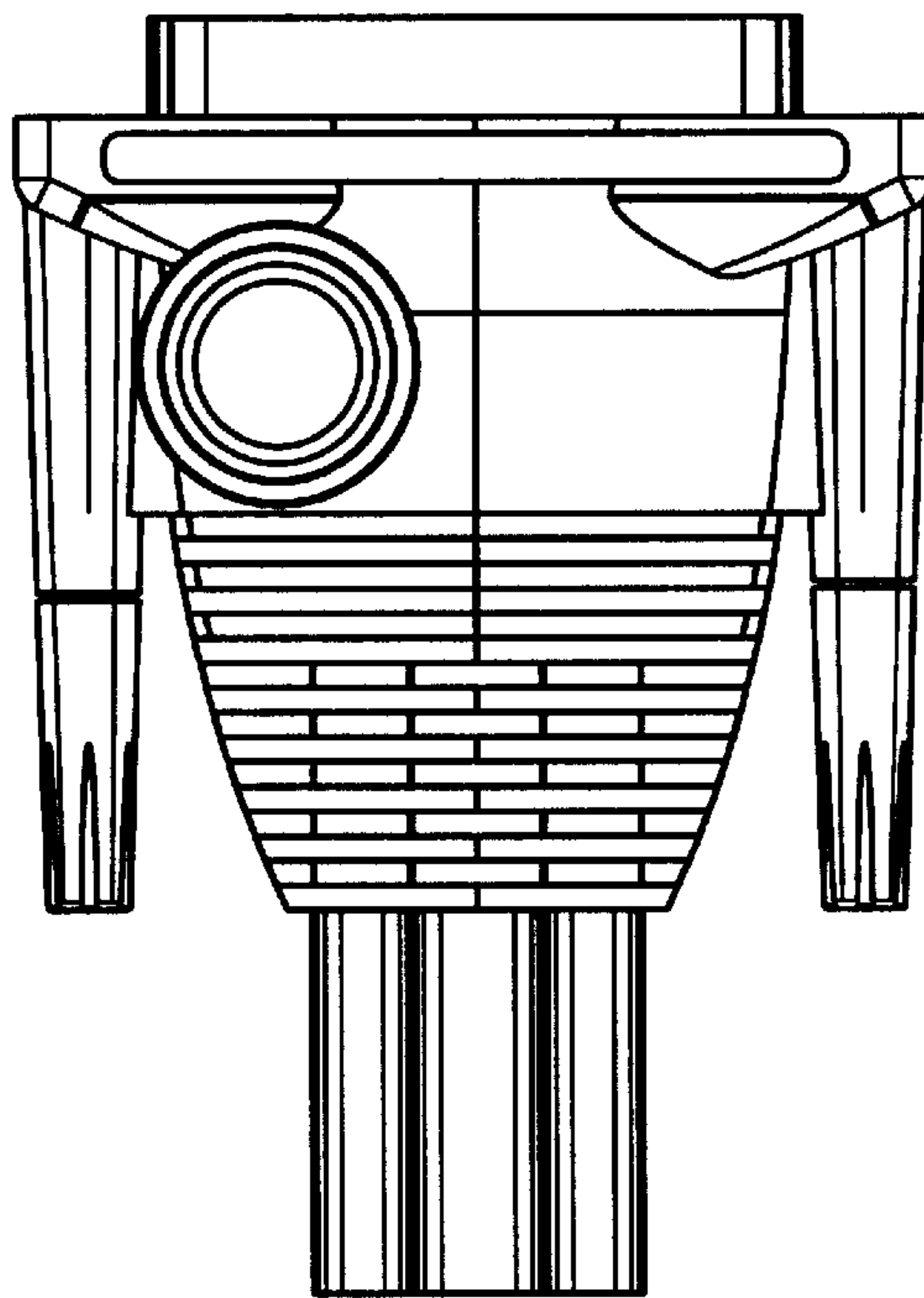


Fig. 6

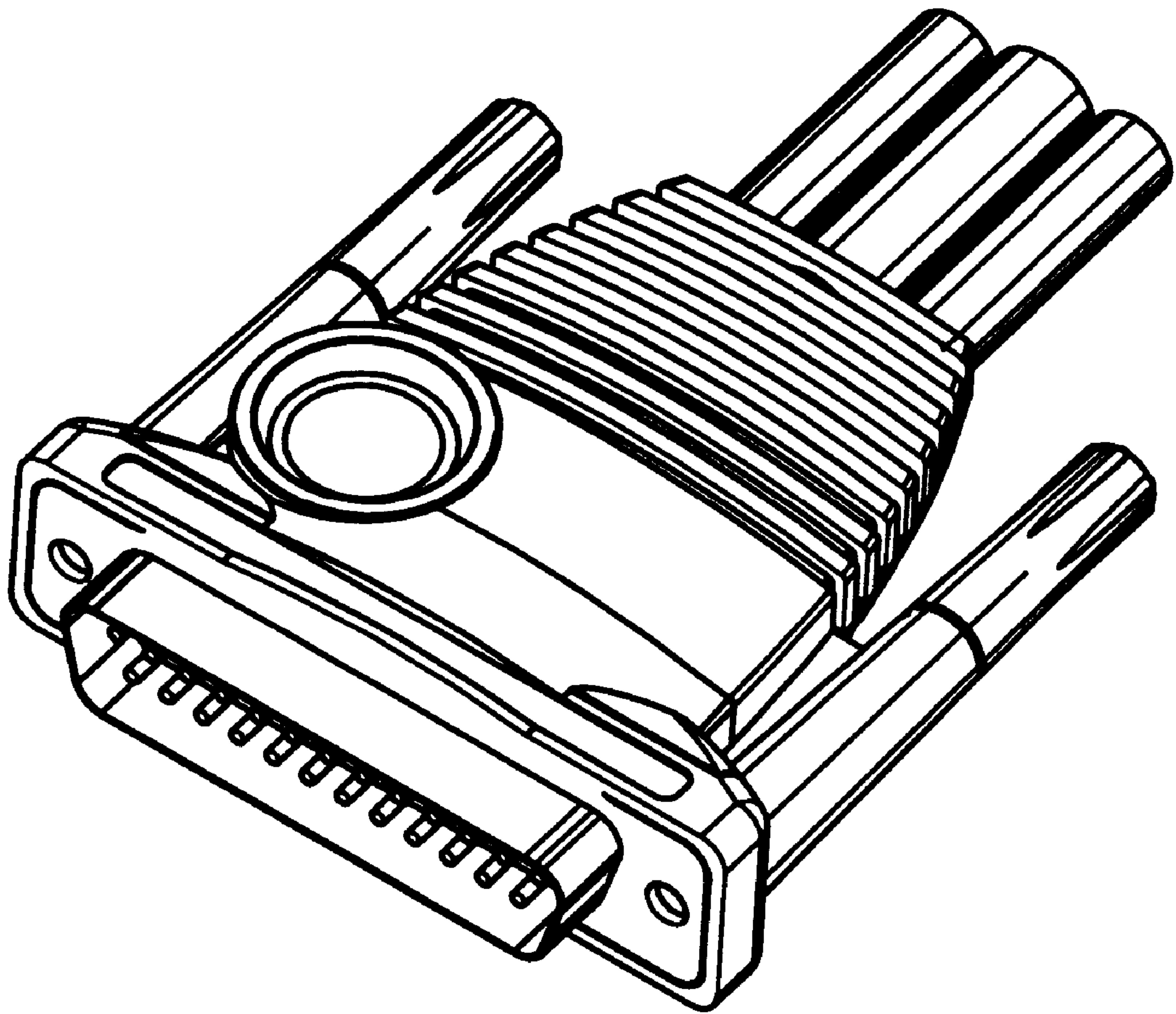


Fig. 7