



US00D435517S

United States Patent [19] Stekelenburg

[11] **Patent Number: Des. 435,517**

[45] **Date of Patent: ** Dec. 26, 2000**

[54] **POWER STRIP**

5,430,253 7/1995 Pratt 174/67

[75] Inventor: **Albert Stekelenburg**, Taipei, Taiwan

Primary Examiner—Susan J. Lucas
Assistant Examiner—Jennifer Rivard
Attorney, Agent, or Firm—Dougherty & Troxell

[73] Assignee: **All-Line Inc.**, Taipei, Taiwan

[**] Term: **14 Years**

[57] **CLAIM**

[21] Appl. No.: **29/123,534**

The ornamental design for a power strip, as shown and described.

[22] Filed: **May 22, 2000**

DESCRIPTION

[51] **LOC (7) Cl.** **13-03**

[52] **U.S. Cl.** **D13/139.8**

[58] **Field of Search** D13/139.6-139.8;
174/66, 67; 439/107, 137, 149, 521, 650-652,
718, 892

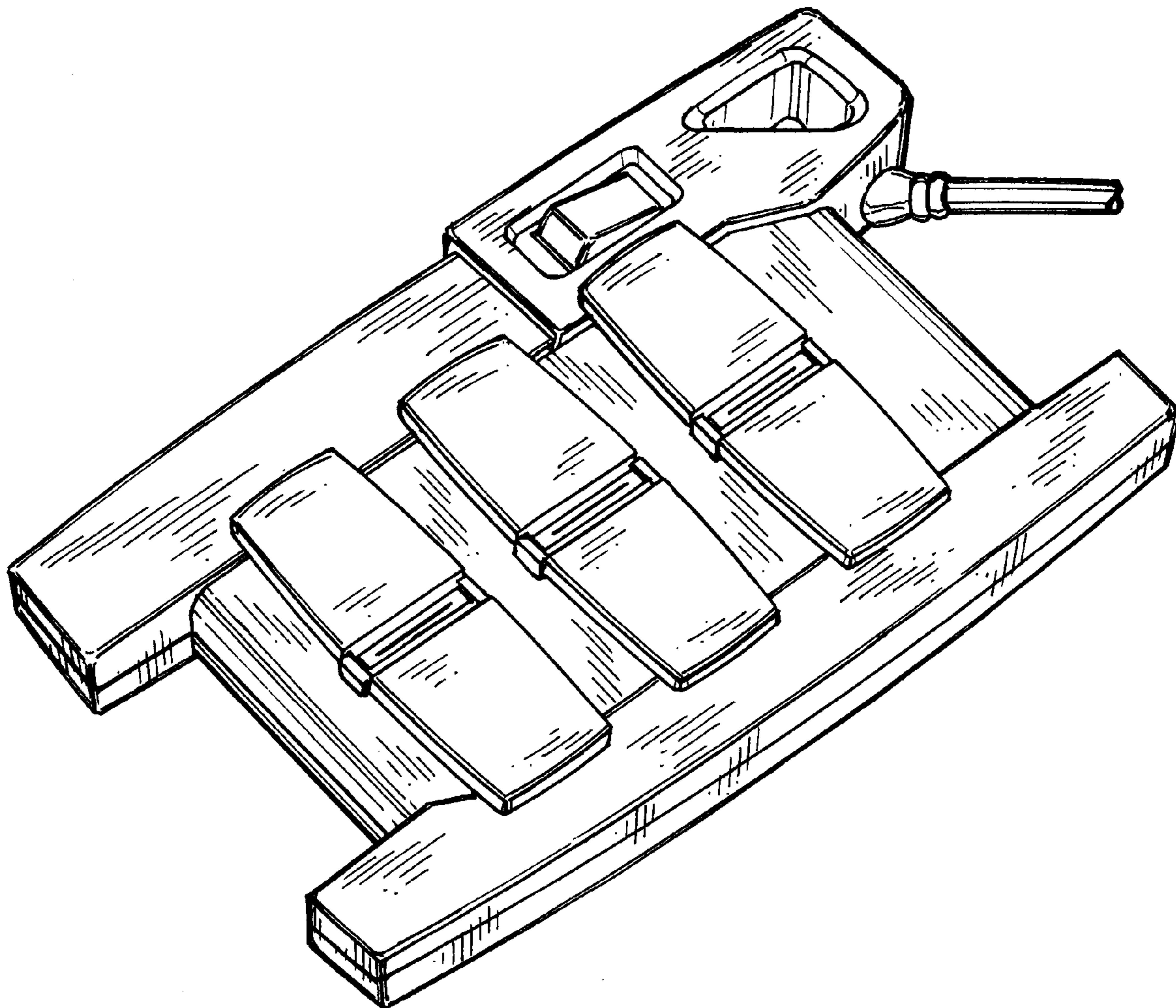
FIG. 1 is a top view of a power strip showing the preferred embodiment of my new design;
FIG. 2 is a front view thereof;
FIG. 3 is a bottom view thereof;
FIG. 4 is a left side elevational view thereof;
FIG. 5 is a right side elevational view thereof;
FIG. 6 is a rear view thereof; and,
FIG. 7 is a perspective view thereof.

[56] **References Cited**

U.S. PATENT DOCUMENTS

D. 365,803 1/1996 Boesel D13/139.8
D. 380,195 6/1997 Stekelenburg D13/139.6

1 Claim, 3 Drawing Sheets



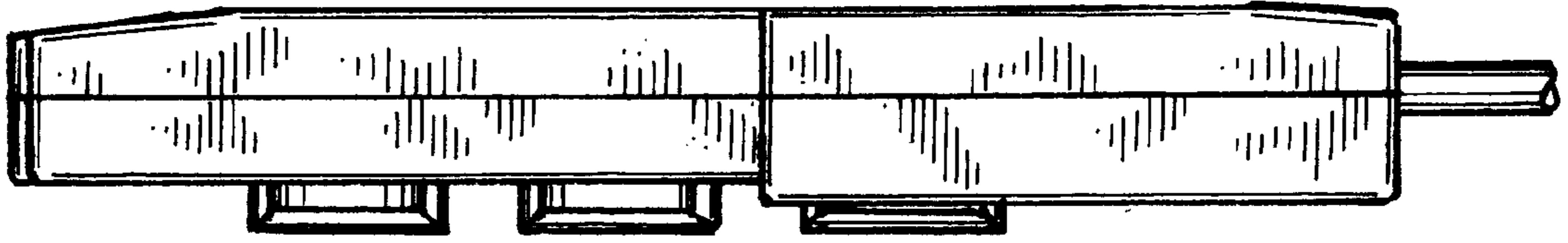


FIG. 1

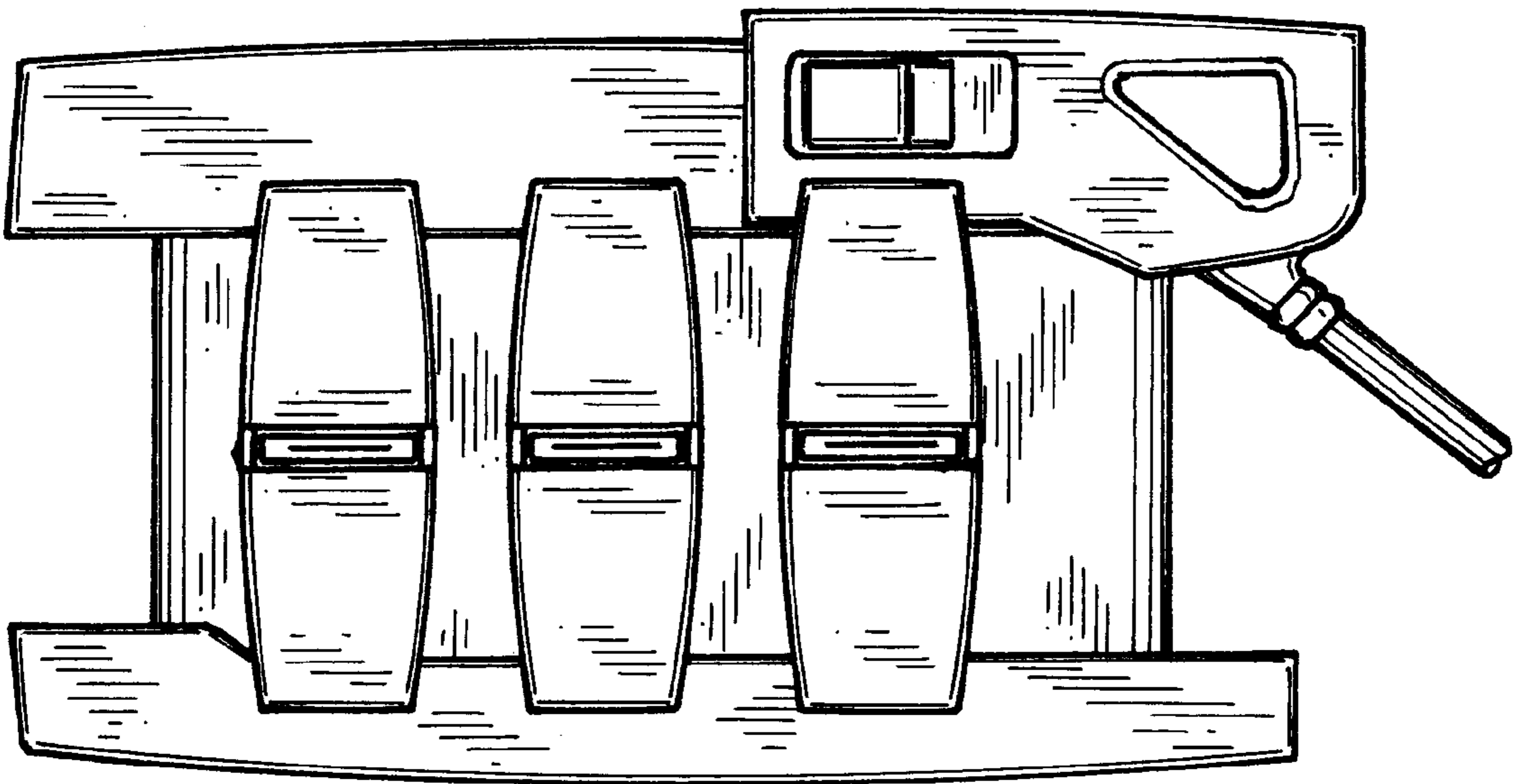


FIG. 2

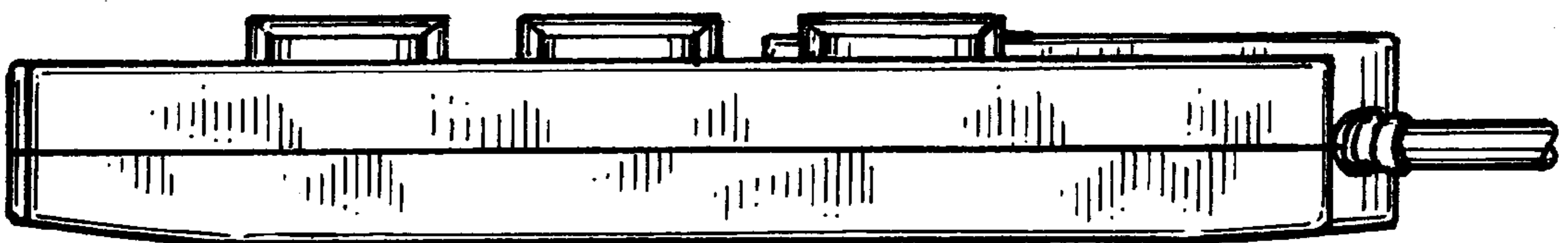


FIG. 3

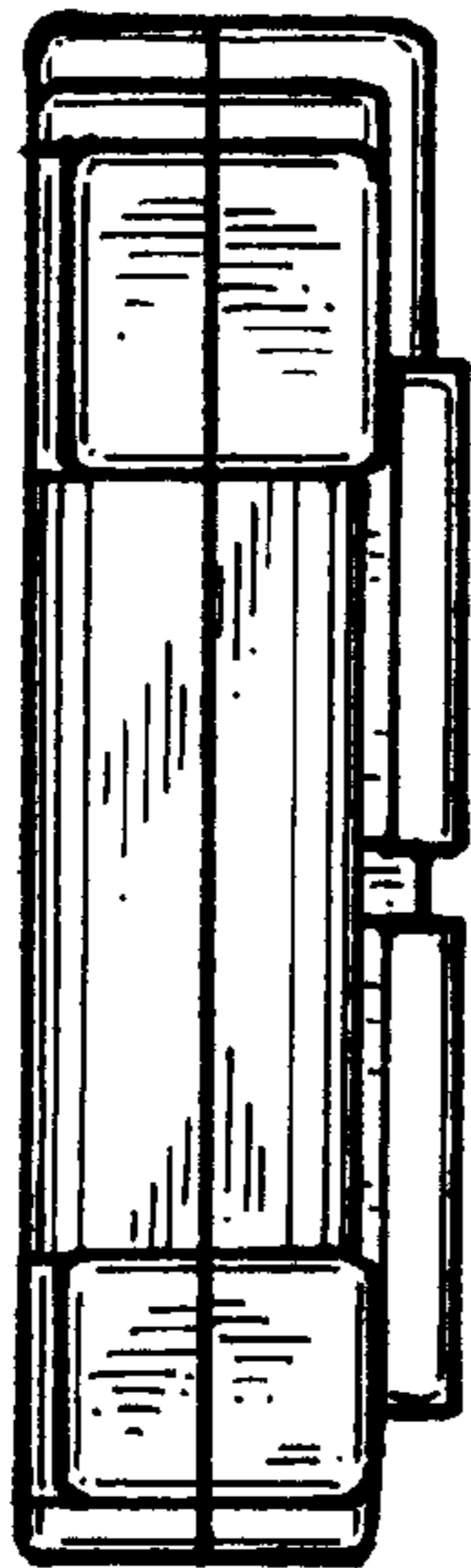


FIG. 4

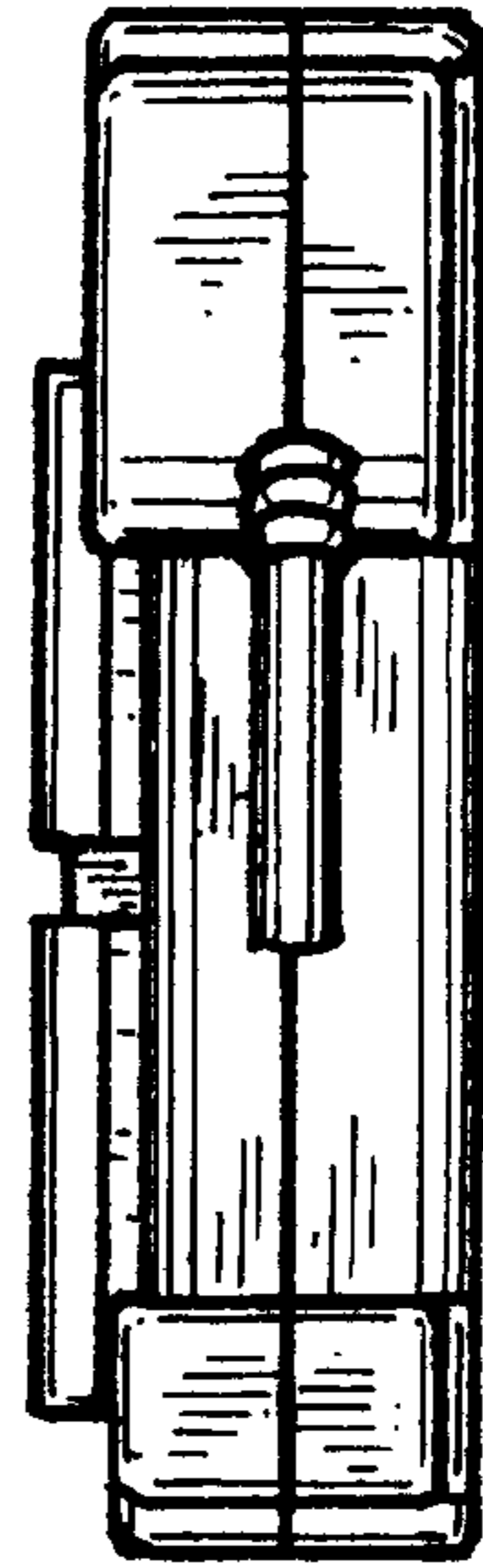


FIG. 5

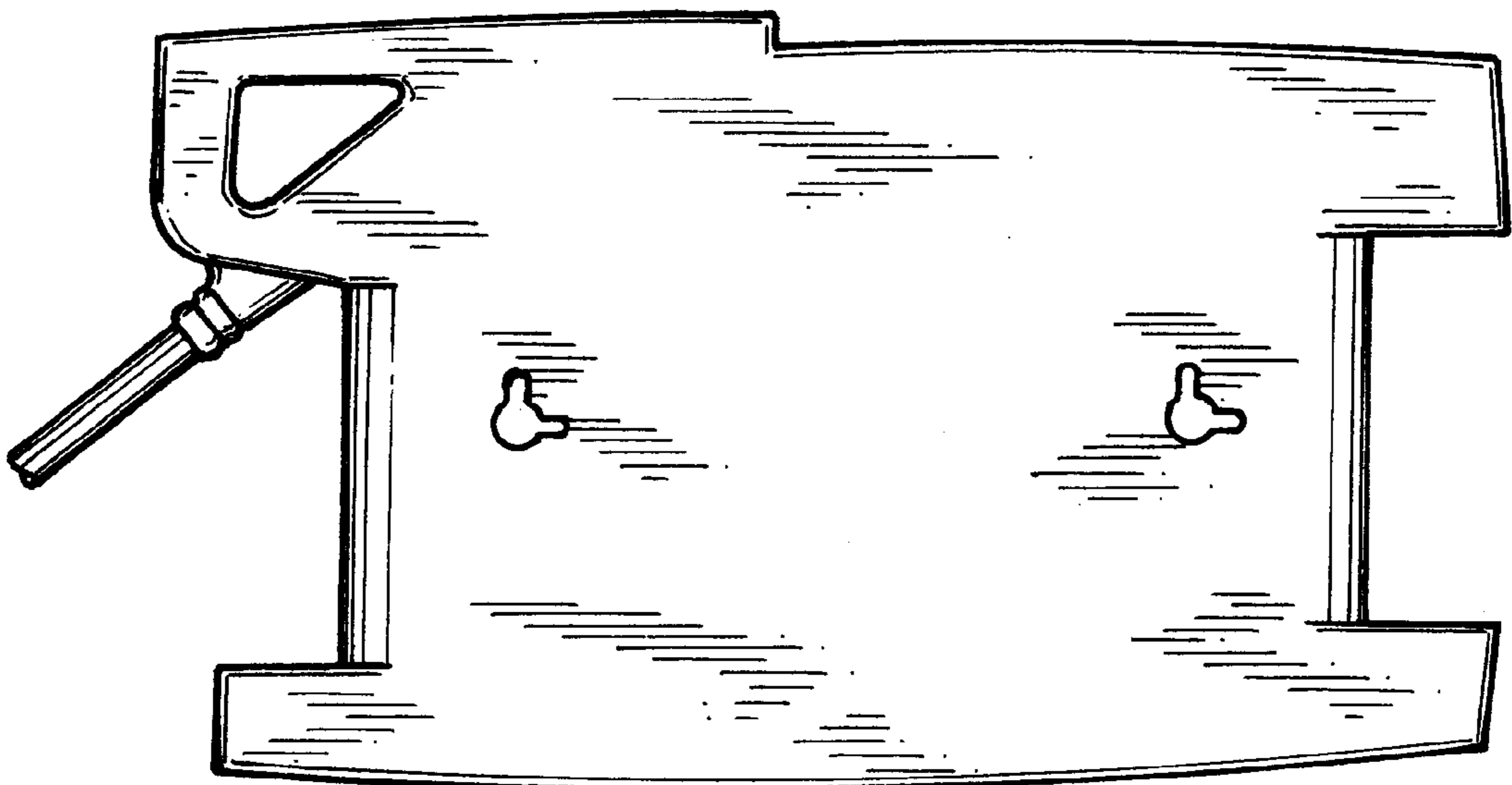


FIG. 6

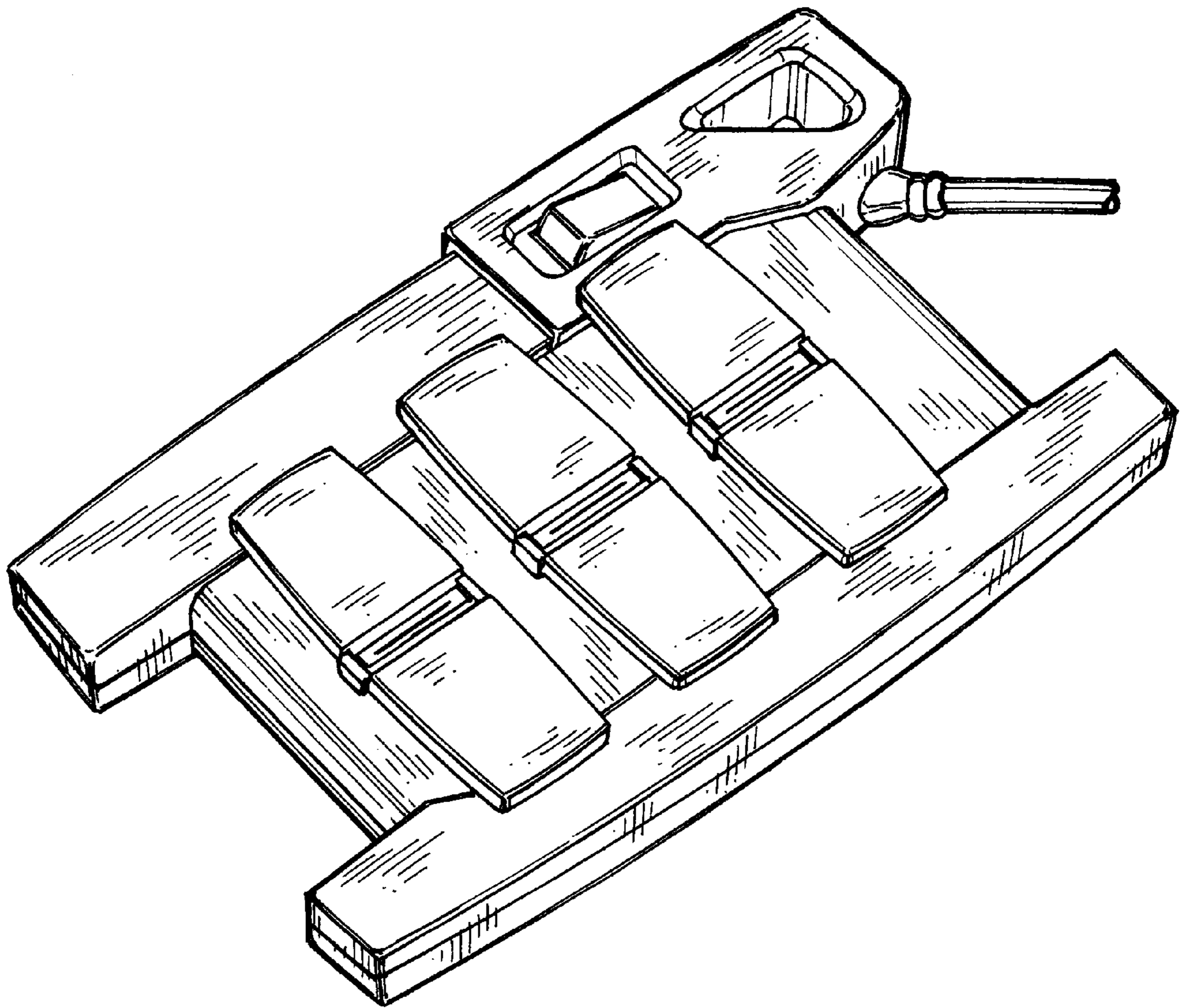


FIG. 7