



US00D435514S

United States Patent [19] Stekelenburg

[11] Patent Number: Des. 435,514

[45] Date of Patent: ** Dec. 26, 2000

[54] REMOTE RECEIVER

[75] Inventor: Albert Stekelenburg, Taipei, Taiwan

[73] Assignee: All-Line, Inc., Taipei, Taiwan

[**] Term: 14 Years

[21] Appl. No.: 29/122,441

[22] Filed: Apr. 28, 2000

[51] LOC (7) Cl. 13-03

[52] U.S. Cl. D13/137.3; D10/40; D13/137.4

[58] Field of Search D13/110, 137.3,
D13/137.4; D10/40; 307/141; 200/43.02;
439/620

[56] **References Cited**

U.S. PATENT DOCUMENTS

D. 386,430	11/1997	Czerlanis et al.	D10/40
D. 390,792	2/1998	Stekelenburg	D10/40
D. 420,602	2/2000	Lamar et al.	D10/40
3,833,779	9/1974	Leone	200/33 R

4,463,228	7/1984	Osika	200/51 R
4,482,789	11/1984	McVey	200/43.02
5,231,310	7/1993	Oh	307/142
5,755,319	5/1998	Szymanski et al.	200/43.02

Primary Examiner—Joel Sincavage
Attorney, Agent, or Firm—Dougherty & Troxell

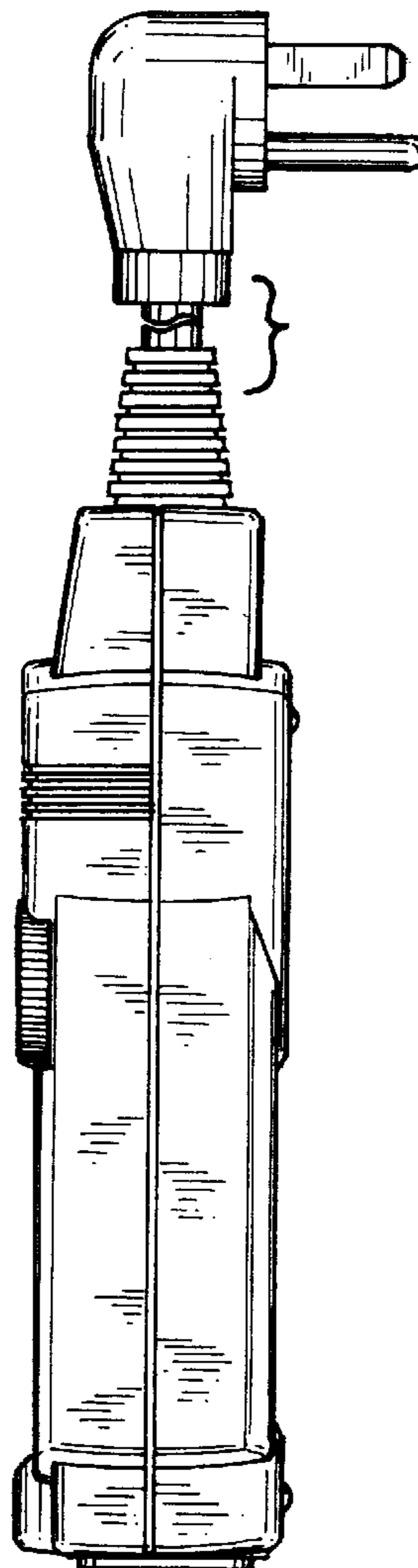
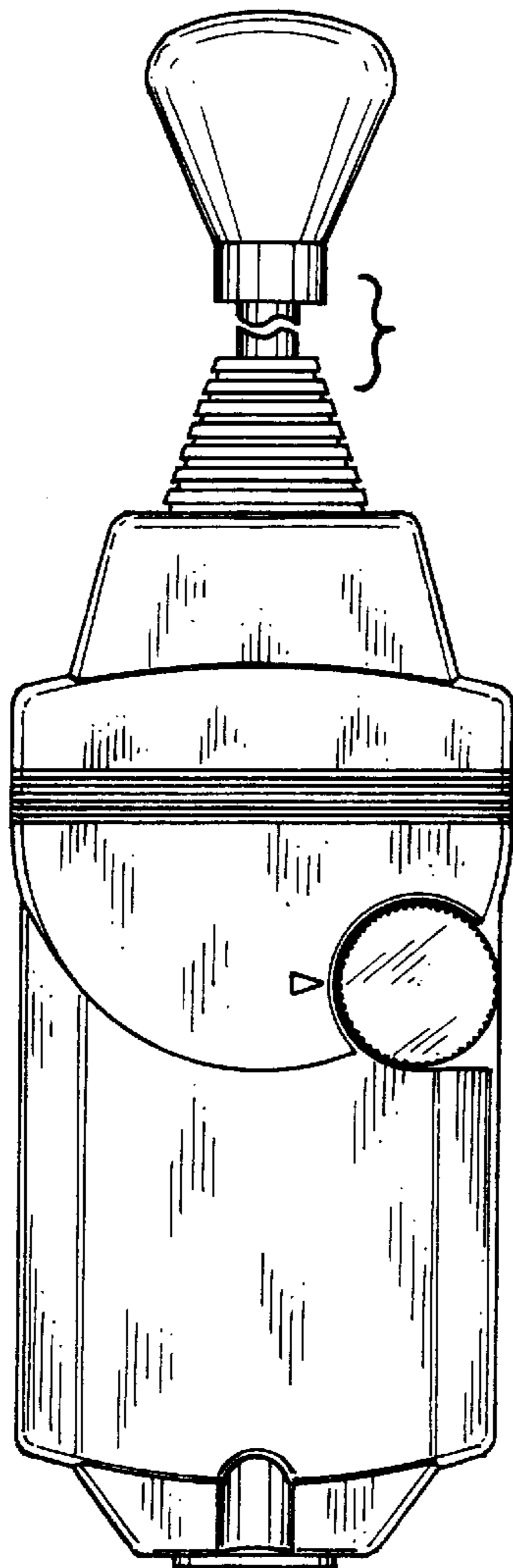
[57] **CLAIM**

The ornamental design for a remote receiver, as shown and described.

DESCRIPTION

FIG. 1 is a front view of a remote receiver showing the preferred embodiment of my new design; FIG. 2 is a right side elevational view thereof; FIG. 3 is a bottom view thereof; FIG. 4 is a top view thereof; FIG. 5 is a rear view thereof; and, FIG. 6 is a left side elevational view thereof. The cord of the remote receiver in FIGS. 1-2 and 5-6 is shown broken away to indicate indeterminate length.

1 Claim, 2 Drawing Sheets



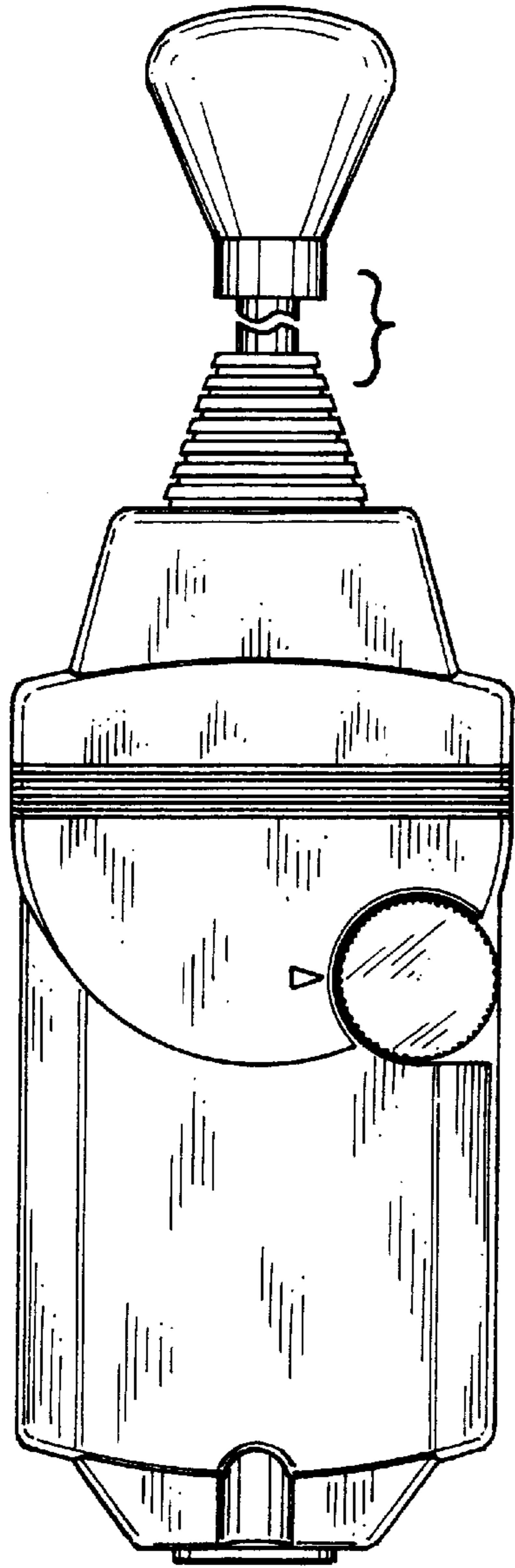


FIG. 1

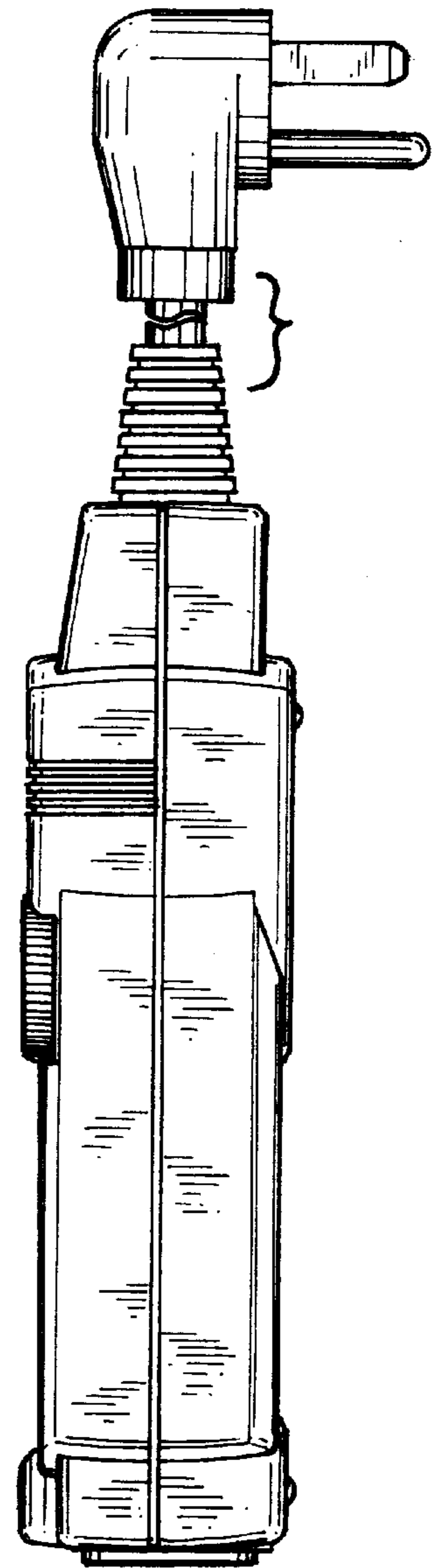


FIG. 2

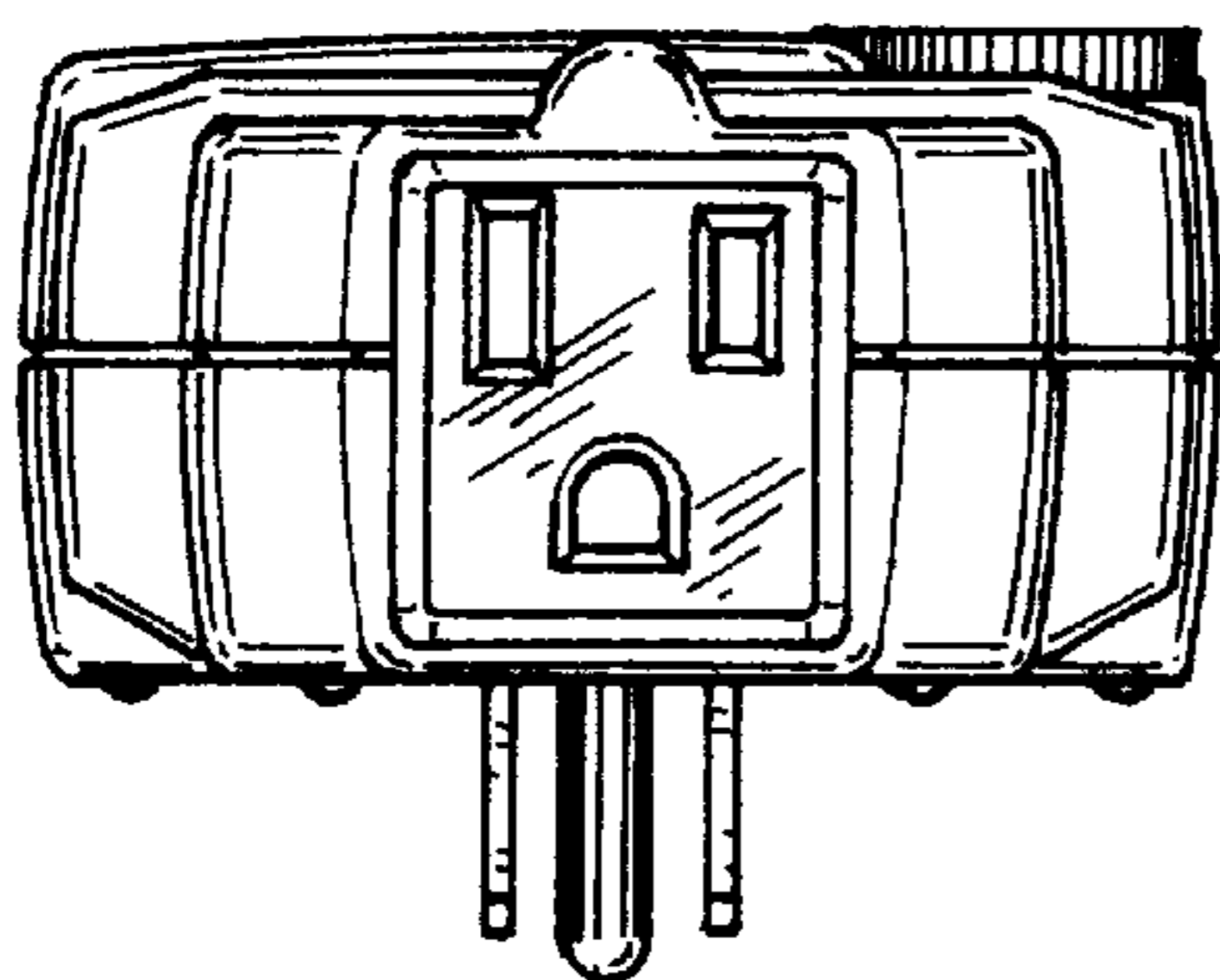


FIG. 3

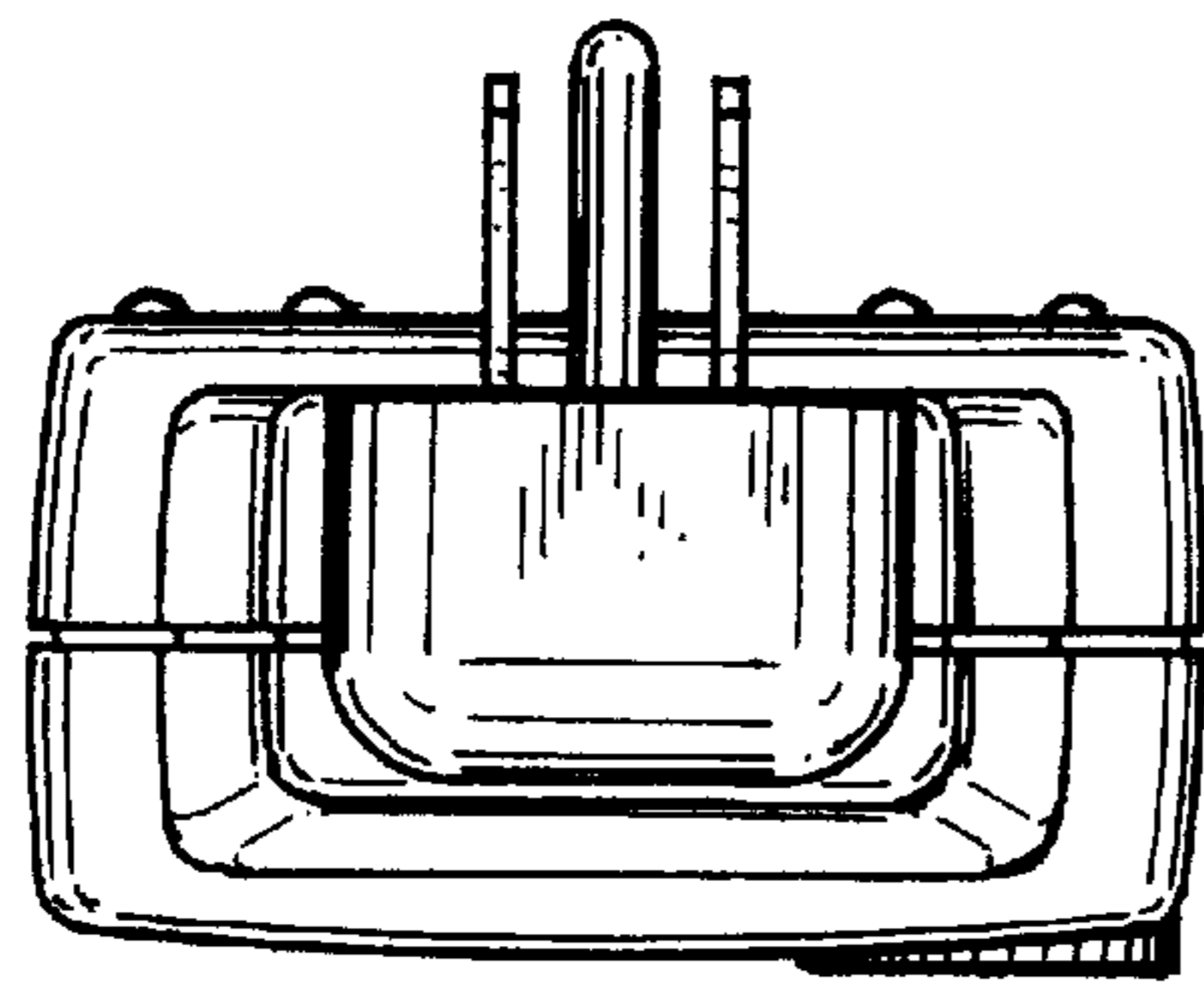


FIG. 4

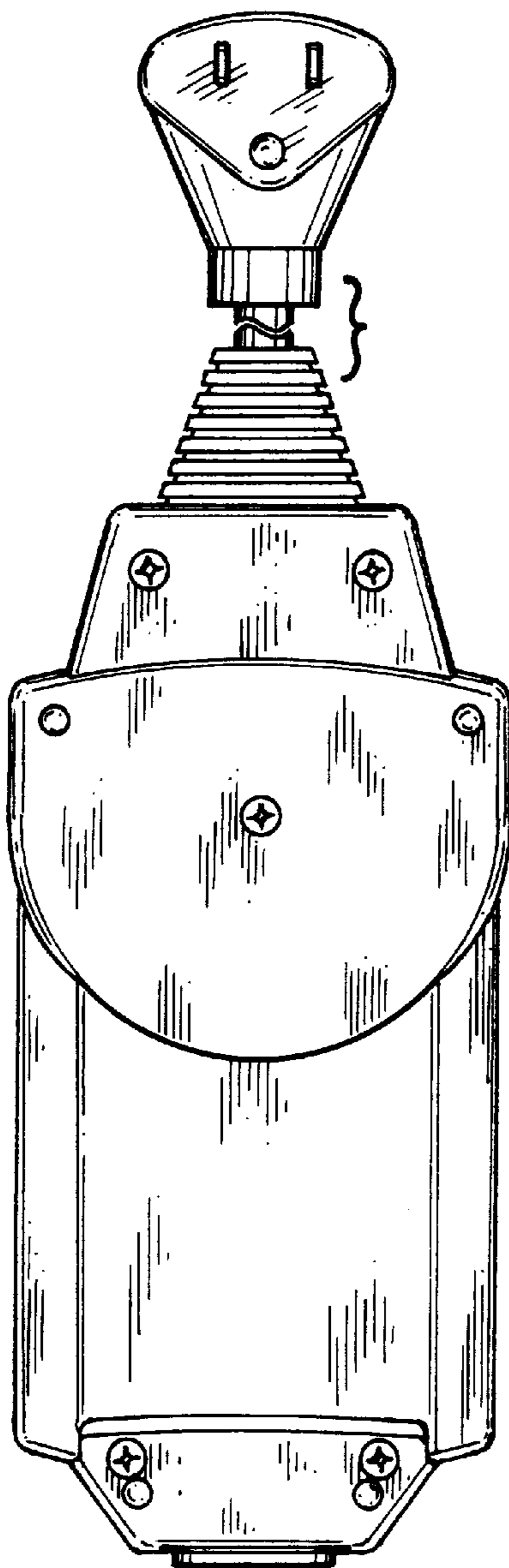


FIG. 5

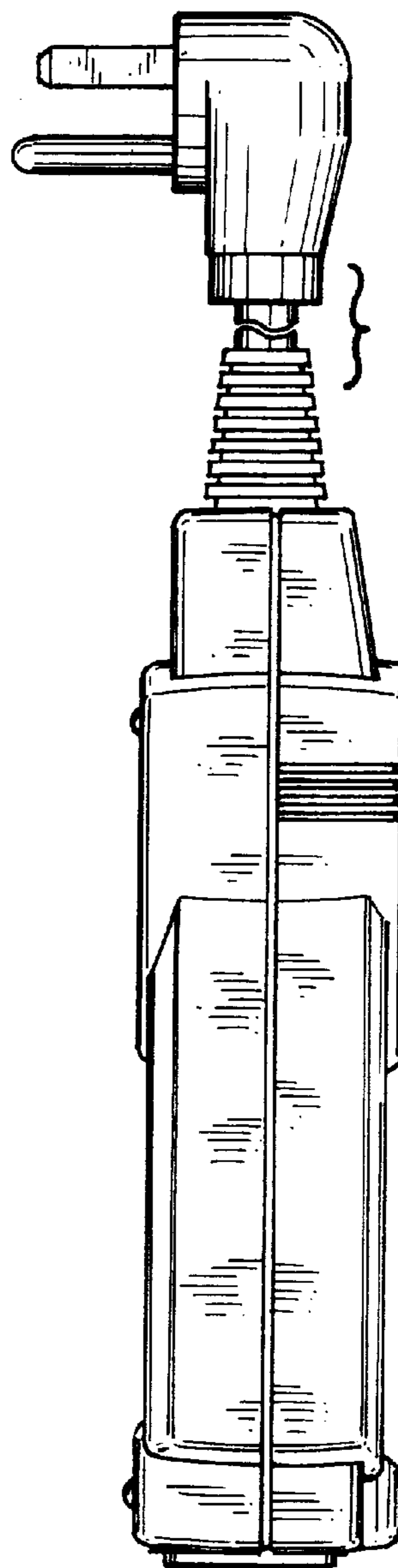


FIG. 6