



US00D435510S

United States Patent [19]
Quidort

[11] **Patent Number: Des. 435,510**

[45] **Date of Patent: ** Dec. 26, 2000**

[54] **ROOF RACK FOR VEHICLES**

3,120,323 2/1964 Sparling D3/306 X
4,277,008 7/1981 McCleary 224/401

[76] Inventor: **Michael Quidort**, P.O. Box 99696, San Diego, Calif. 92169

Primary Examiner—Stacia Cadmus
Attorney, Agent, or Firm—Brown, Martin, Haller & McClain

[**] Term: **14 Years**

[21] Appl. No.: **29/115,996**

[57] **CLAIM**

[22] Filed: **Dec. 22, 1999**

The ornamental design for a roof rack for vehicles, as shown and described.

[51] **LOC (7) Cl.** **12-16**

DESCRIPTION

[52] **U.S. Cl.** **D12/412**

[58] **Field of Search** D12/412, 401, D12/406; 296/3, 100, 37.1, 37.7; 224/309–310, 315, 323–329, 321, 400; 280/760, 848, 727, 762, 769; D6/552, 556; D3/304–306

FIG. 1 is a front perspective view of a “roof rack for vehicles”, showing my new design, shown without lights for clarity of illustration;

FIG. 2 is an enlarged side elevational view, the other side being a mirror image thereof, shown without lights for clarity of illustration;

FIG. 3 is an enlarged bottom plan view thereof, shown without lights for clarity of illustration;

FIG. 4 is an enlarged front end view thereof, shown without lights for clarity of illustration;

FIG. 5 is an enlarged rear end view thereof, shown without lights for clarity of illustration;

FIG. 6 is an enlarged side elevational view thereof with lights added;

FIG. 7 is an enlarged front end view thereof with lights added; and,

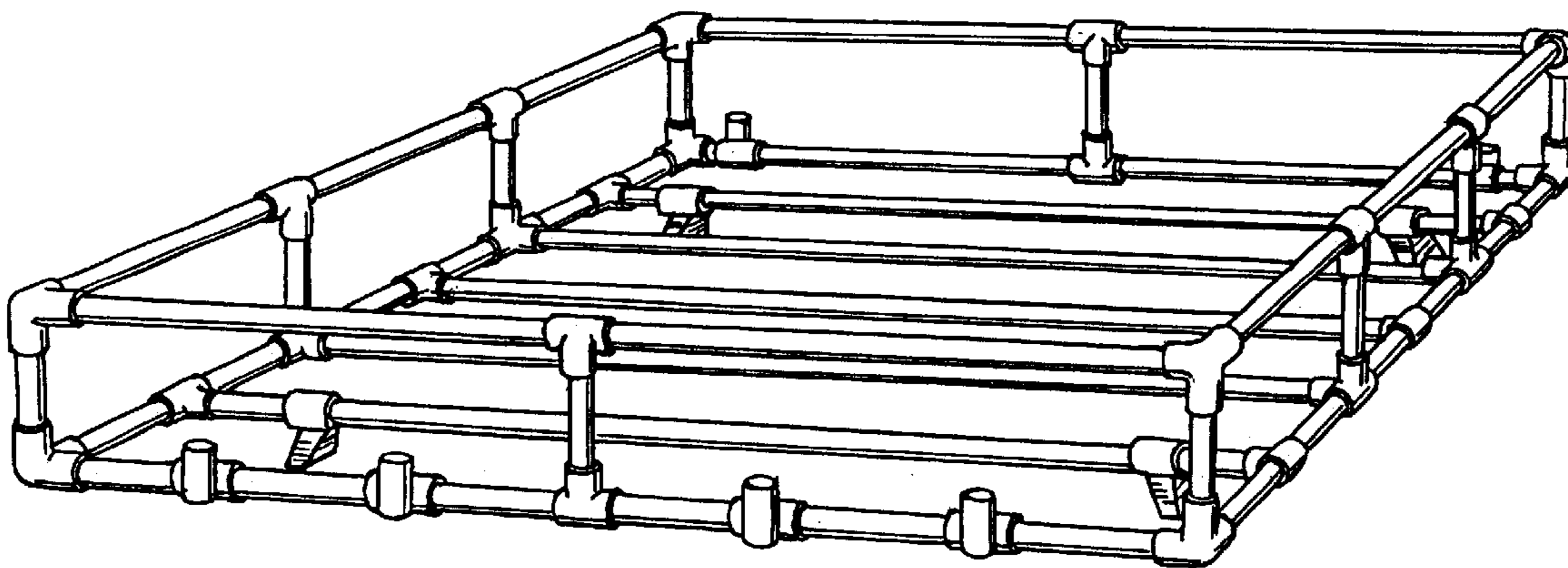
FIG. 8 is an enlarged rear end view thereof with lights added.

[56] **References Cited**

U.S. PATENT DOCUMENTS

D. 181,747	12/1957	Pawly et al.	D12/412
D. 181,748	12/1957	Pawly et al.	D12/412
D. 182,705	5/1958	Binding	D12/412
D. 201,013	5/1965	Duer	D12/412
D. 239,618	4/1976	Duer	D12/412
D. 246,238	11/1977	Boas	D12/412
D. 252,961	9/1979	Carroll et al.	D3/304
D. 288,193	2/1987	Caron	D12/412
D. 314,542	2/1991	Bott	D12/412
D. 406,557	3/1999	Bentley	D12/412
D. 413,562	9/1999	Van Dusen et al.	D12/412
2,714,480	8/1955	Harris	224/309

1 Claim, 2 Drawing Sheets



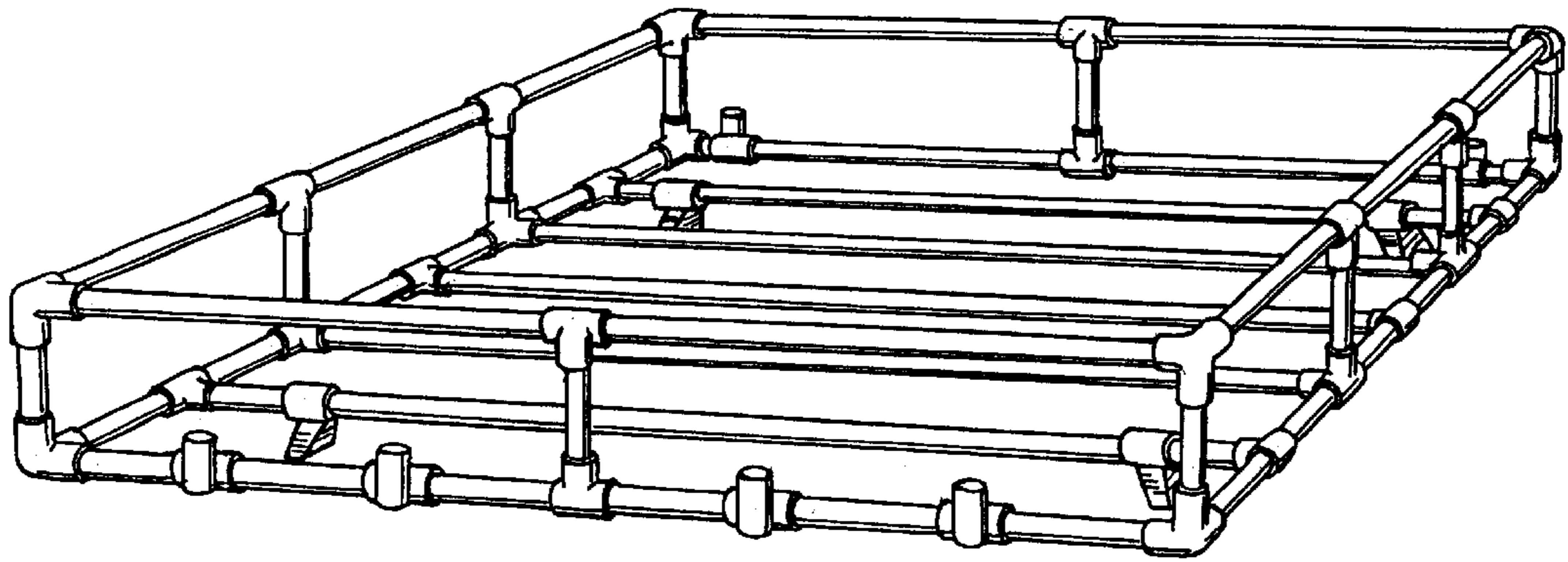


FIG. 1

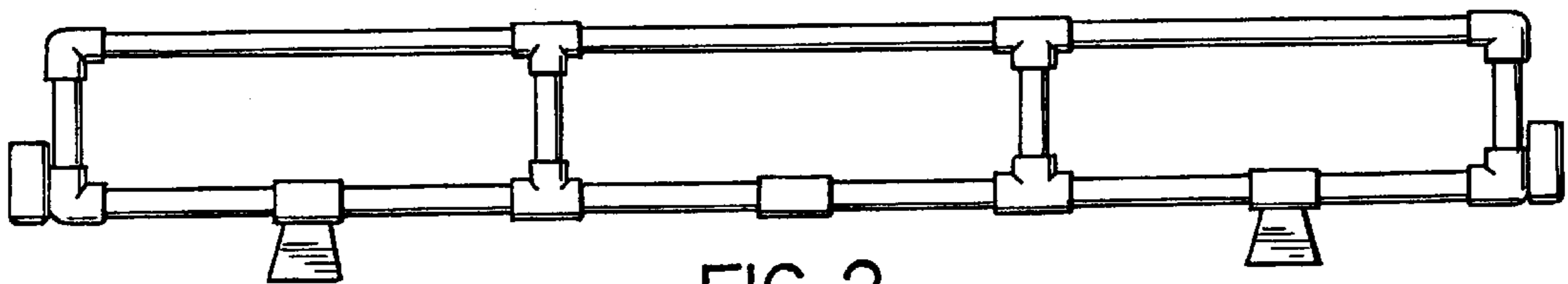


FIG. 2

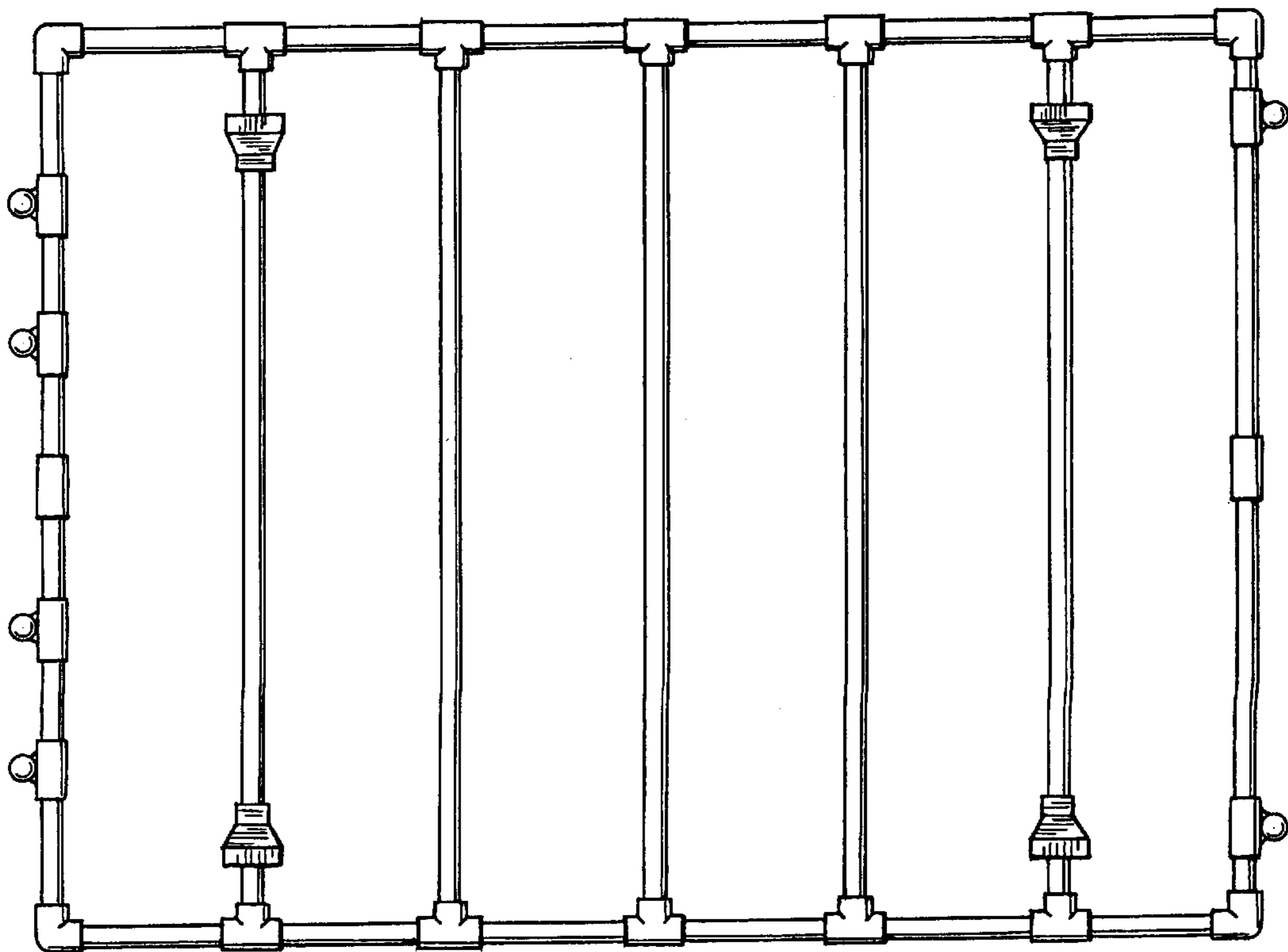


FIG. 3

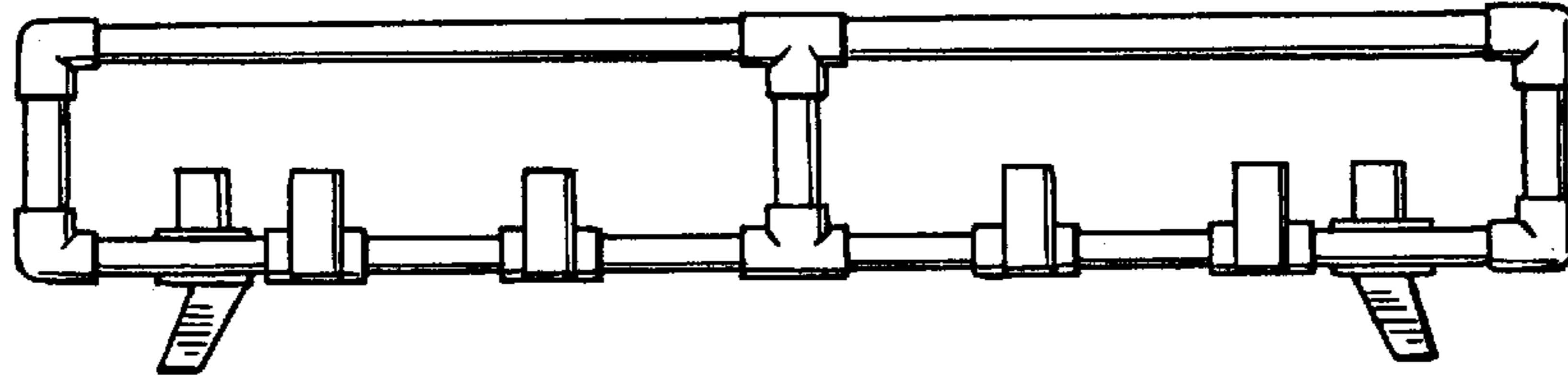


FIG. 4

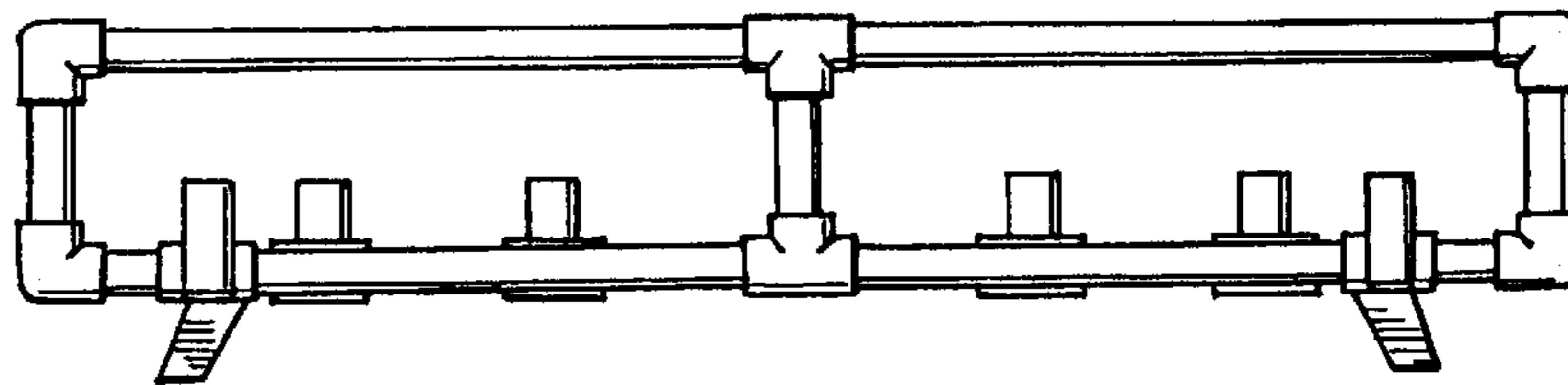


FIG. 5

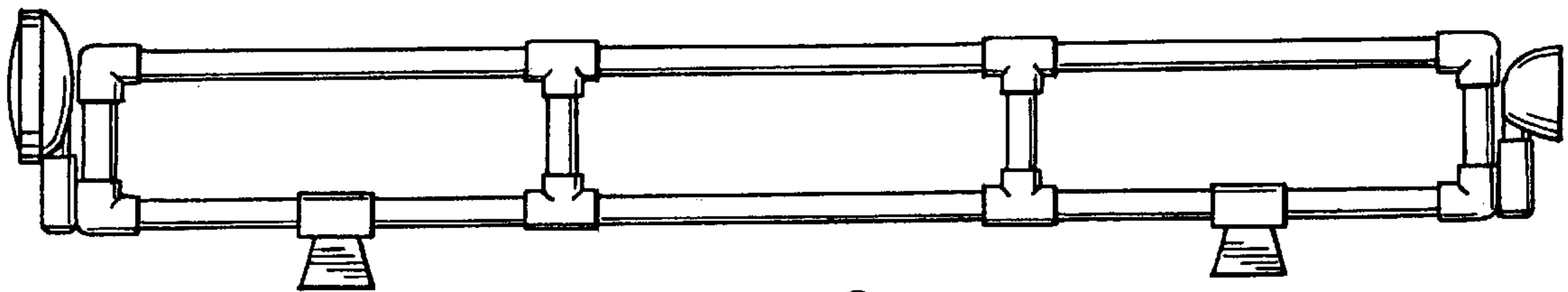


FIG. 6

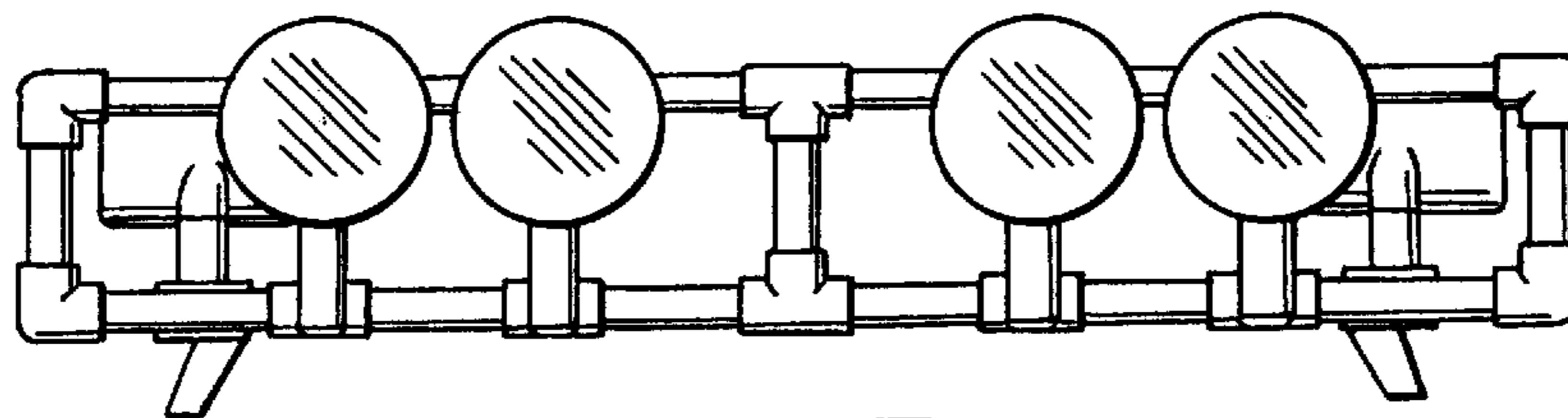


FIG. 7

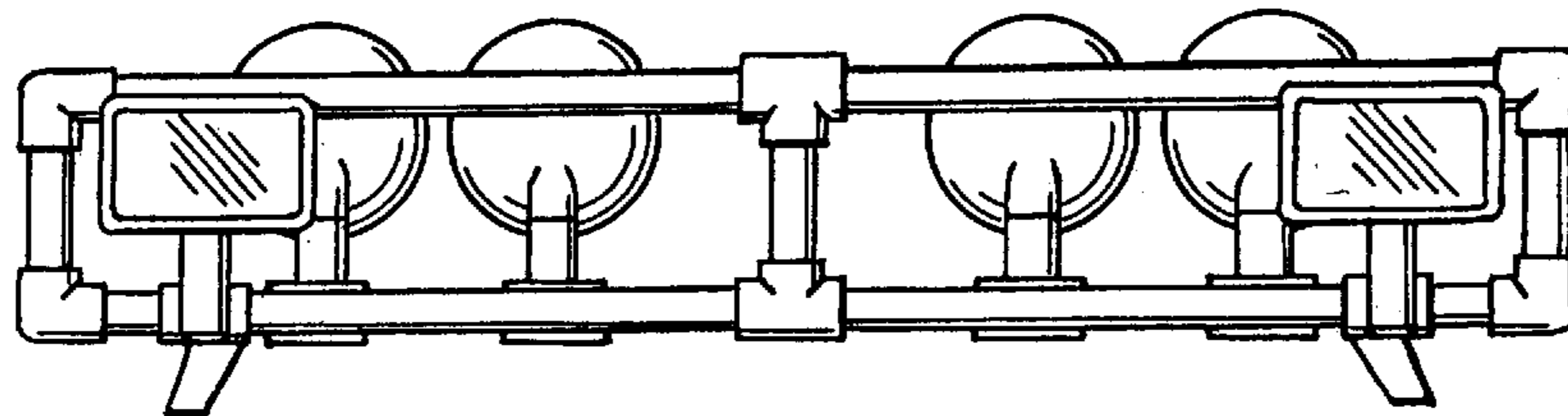


FIG. 8