



US00D435509S

United States Patent [19] Hickman

[11] **Patent Number: Des. 435,509**

[45] **Date of Patent: ** Dec. 26, 2000**

[54] **VEHICLE TOP SHADE**

[76] Inventor: **Kirk S. Hickman**, 4041 Tamarack Ave.,
Grove City, Ohio 43123

[**] Term: **14 Years**

[21] Appl. No.: **29/128,474**

[22] Filed: **Aug. 24, 2000**

[51] **LOC (7) Cl. 12-16**

[52] **U.S. Cl. D12/401**

[58] **Field of Search** D12/400, 401,
D12/403, 221, 190-191; 150/154, 166;
296/136, 95.1, 97.1-97.3, 97.6-97.9, 96.11;
280/770, 847, 848, DIG. 5, DIG. 6; 160/DIG. 3,
370.21-370.23

[56] **References Cited**

U.S. PATENT DOCUMENTS

D. 207,309	4/1967	Walthers, Sr.	D12/401
D. 360,181	7/1995	Brooks	D12/401
D. 375,069	10/1996	Yates et al.	D12/401 X
D. 382,246	8/1997	Degaillard	D12/401
D. 384,324	9/1997	Barker	D12/401
D. 385,249	10/1997	Roach et al.	D12/401
D. 385,529	10/1997	Shikler	D12/401

D. 394,637	5/1998	Camiano	D12/401
D. 394,638	5/1998	Weiner et al.	D12/403
D. 396,843	8/1998	Mifsud	D12/401
D. 416,854	11/1999	Huh	D12/401
D. 424,009	5/2000	McGrew	D12/401

Primary Examiner—Stacia Cadmus
Attorney, Agent, or Firm—Thomas S. Baker, Jr.

[57] **CLAIM**

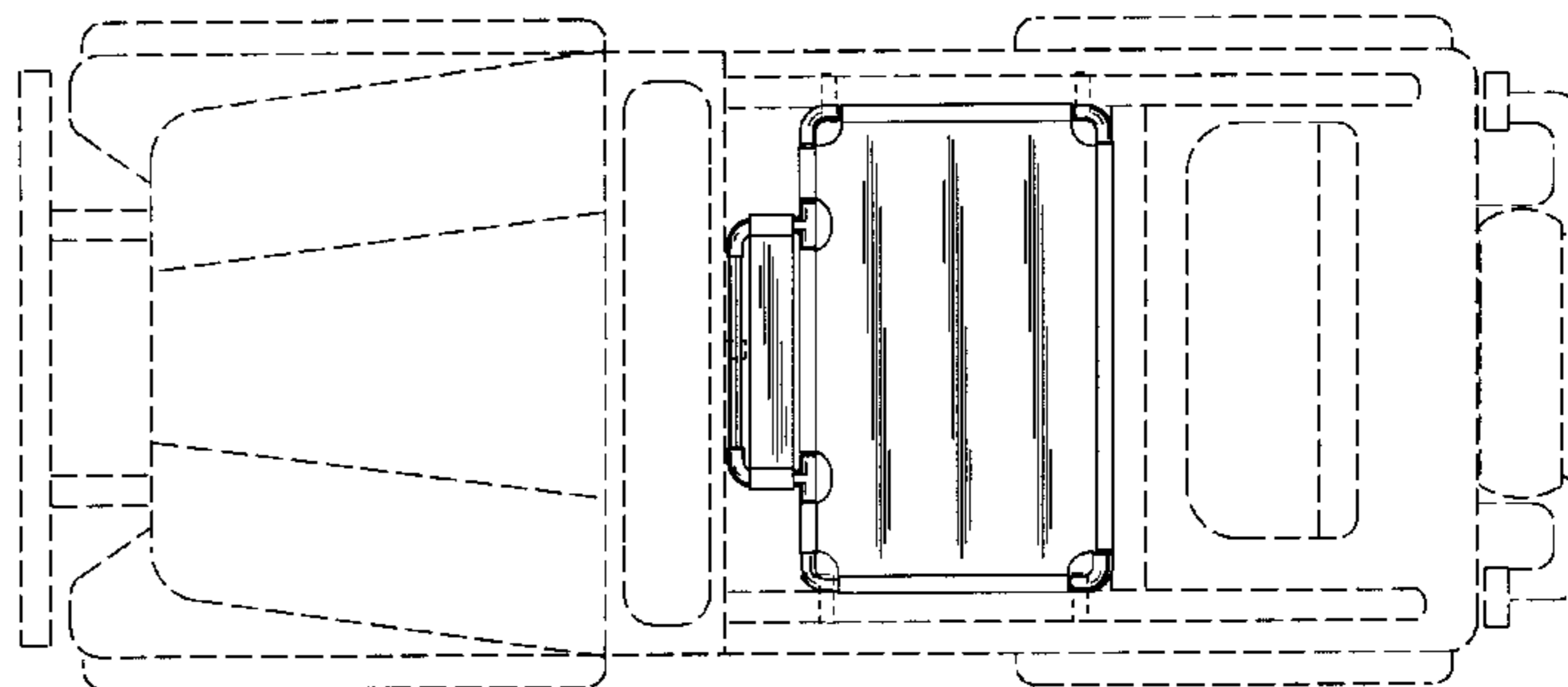
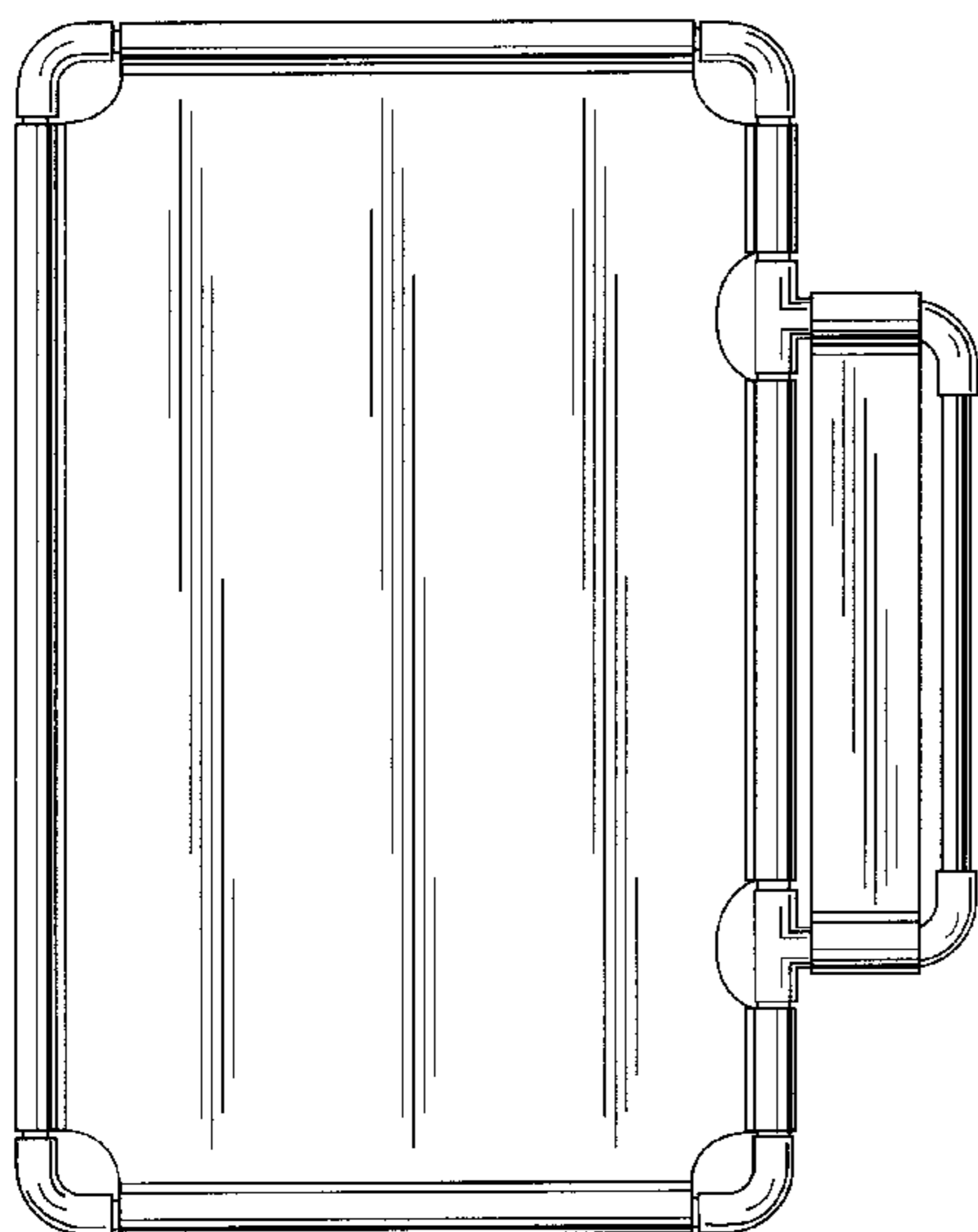
The ornamental design for a vehicle top shade, as shown and described.

DESCRIPTION

FIG. 1 is a bottom view of a vehicle top shade of the present invention;
FIG. 2 is a right side elevational view thereof;
FIG. 3 is a rear elevational view thereof;
FIG. 4 is a left side elevational view thereof;
FIG. 5 is a front elevational view thereof; and,
FIG. 6 is a reduced top plan view thereof.

In FIG. 6 the vehicle top shade of the instant invention is shown installed in a vehicle represented by broken lines for purposes of illustration only, and forms no part of the claimed design.

1 Claim, 2 Drawing Sheets



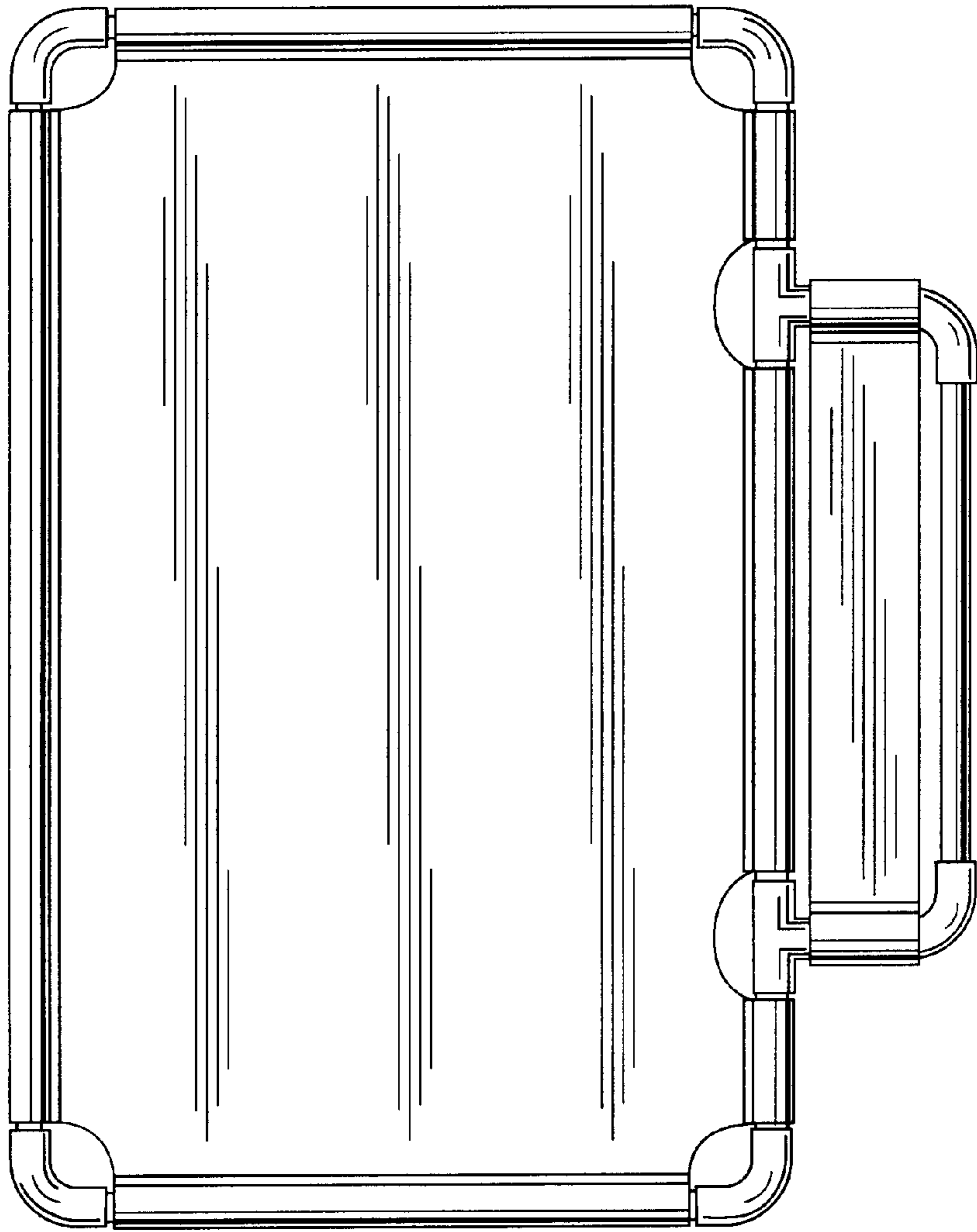


FIG. 1

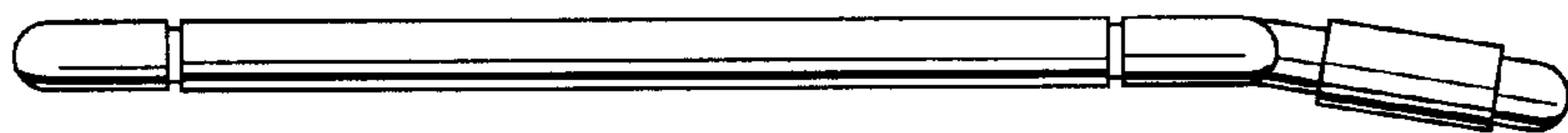


FIG. 2

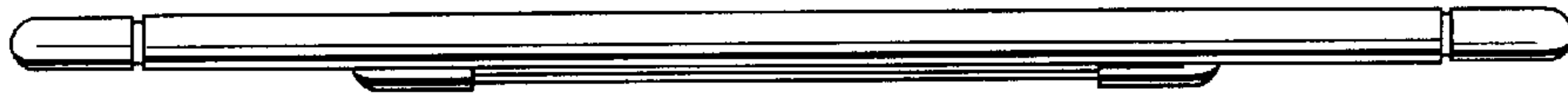


FIG. 3

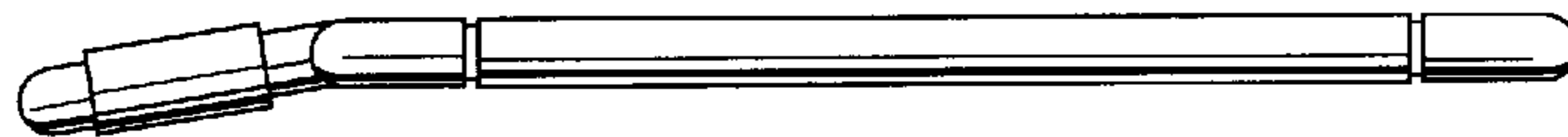


FIG. 4

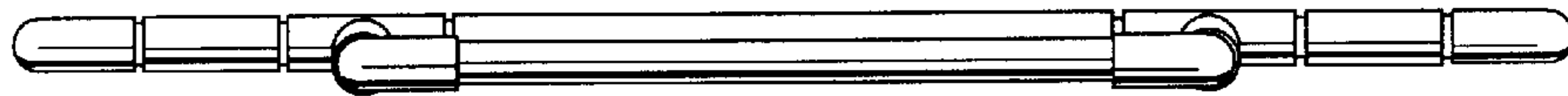


FIG. 5

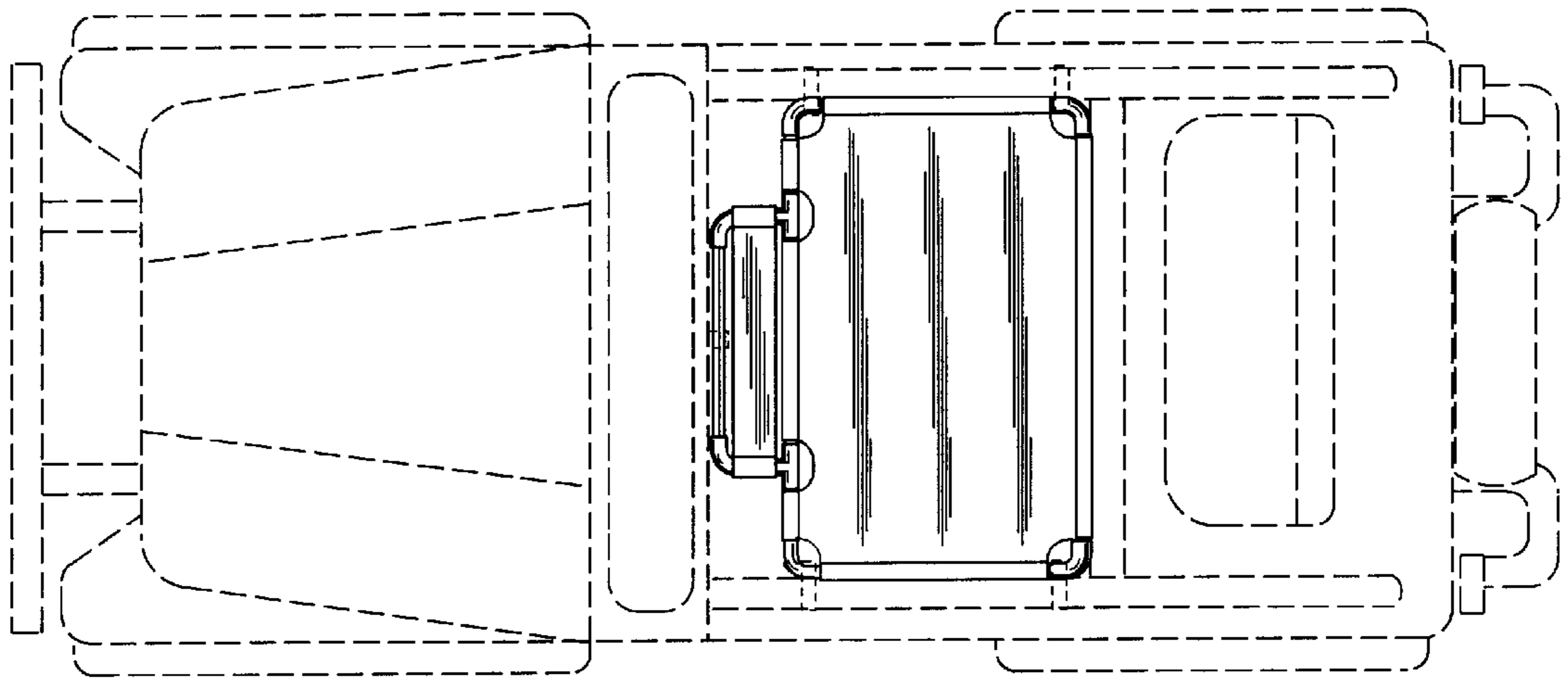


FIG. 6