



US00D435503S

United States Patent [19]

[11] **Patent Number: Des. 435,503**

Gukeisen et al.

[45] **Date of Patent: ** Dec. 26, 2000**

[54] **FUEL TANK**

[75] Inventors: **Gary Allan Gukeisen**, Dubuque, Iowa;
Thomas Howard Ward, Ventura, Calif.

[73] Assignee: **Deere & Company**, Moline, Ill.

[**] Term: **14 Years**

[21] Appl. No.: **29/125,107**

[22] Filed: **Jun. 6, 2000**

[51] **LOC (7) Cl.** **12-06**

[52] **U.S. Cl.** **D12/218**

[58] **Field of Search** D12/218; D15/15,
D15/23; 280/830, 124.1, 834, 835; 180/900

Bucyrus-Eric Brochure "Dynaohoe 190-4 200-4 4 Wheel Drive Models", 20 pages, printed in the U.S.A.
Case Brochure entitled "480D Construction King", Form UD87780, printed in the U.S.A.
Caterpillar Brochure entitled "416 Backhoe Loader", 11 pages, printed in the U.S.A.
Deere & Company's Operator's Manual OMT163301 17 entitled "410E Backhoe Loader", Introduction, pp. 05-1, 55-1, and 90-12, printed in the U.S.A.

Primary Examiner—Alan P. Douglas
Assistant Examiner—Linda Brooks

[57] **CLAIM**

The ornamental design for a fuel tank, as shown and described.

[56] **References Cited**

U.S. PATENT DOCUMENTS

D. 214,435 6/1969 Naeve D12/218
D. 293,705 1/1988 Sayward D12/218 X

OTHER PUBLICATIONS

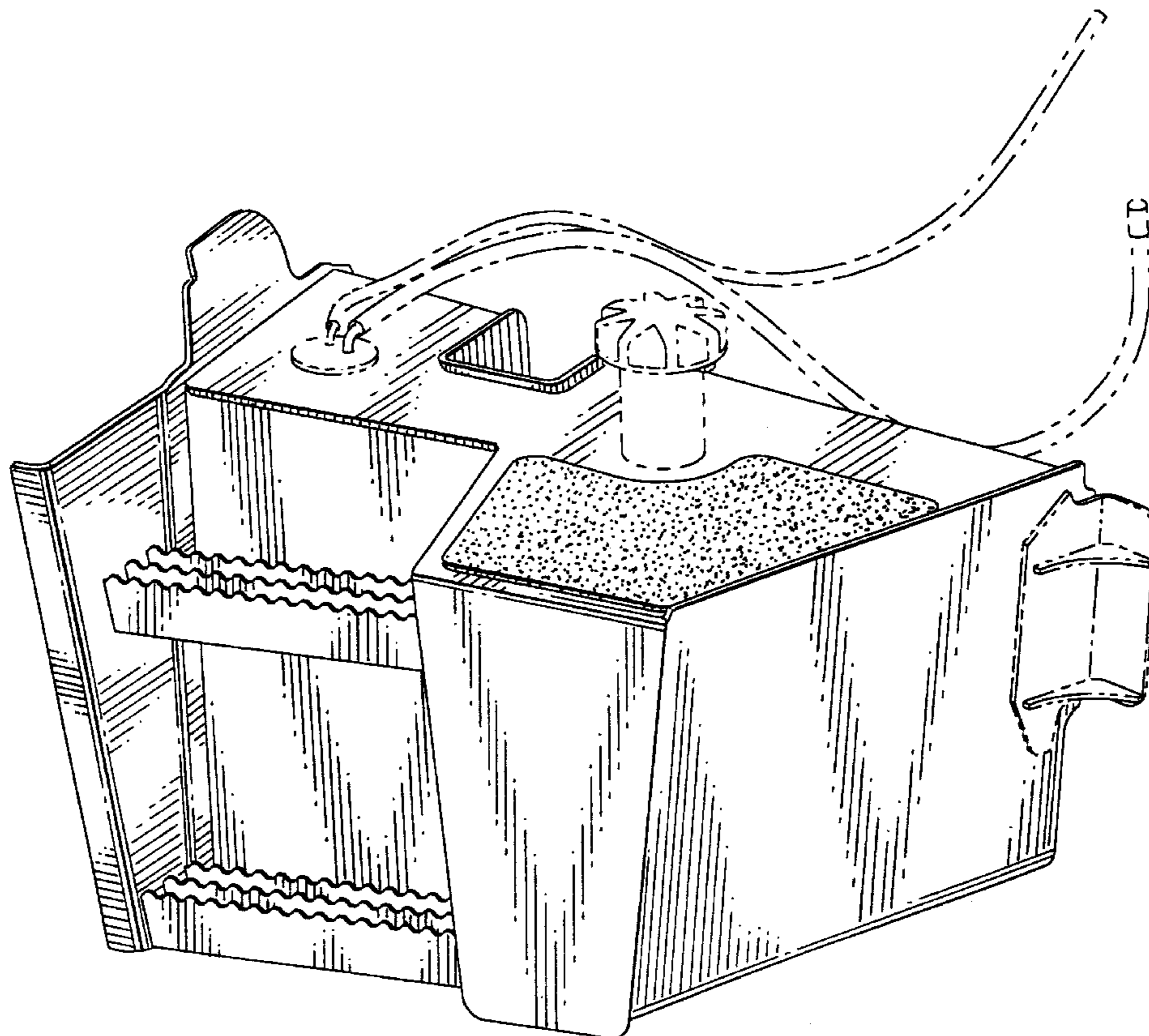
Ford Brochure entitled "Tractor Loader Backhoes 455D, 555D, 575D and 655D", 19 pages, printed in the U.S.A.
Ford Brochure entitled "Specifications 655A", printed in the U.S.A.
Deere & Company Brochure entitled "310E Backhoe Loaders", 20 pages, printed in the U.S.A.
Massey-Ferguson Brochure entitled "MF50H/HX Elite Powershuttle Backhoe Loader", printed in the U.S.A.

DESCRIPTION

FIG. 1 is a side view of a fuel tank showing our new design, the broken lines showing a work vehicle being for illustrative purposes only, and forms no part of the claimed design. FIG. 2 is a front/right perspective view of the fuel tank design of FIG. 1.

FIG. 3 is a top view of the fuel tank design of FIG. 1. FIG. 4 is a right side view of the fuel tank design of FIG. 1. FIG. 5 is a front view of the fuel tank design of Fig 1. FIG. 6 is a bottom view of the fuel tank design of FIG. 1. FIG. 7 is a left side view of the fuel tank design of FIG. 1; and, FIG. 8 is a rear view of the fuel tank design of FIG. 1.

1 Claim, 5 Drawing Sheets



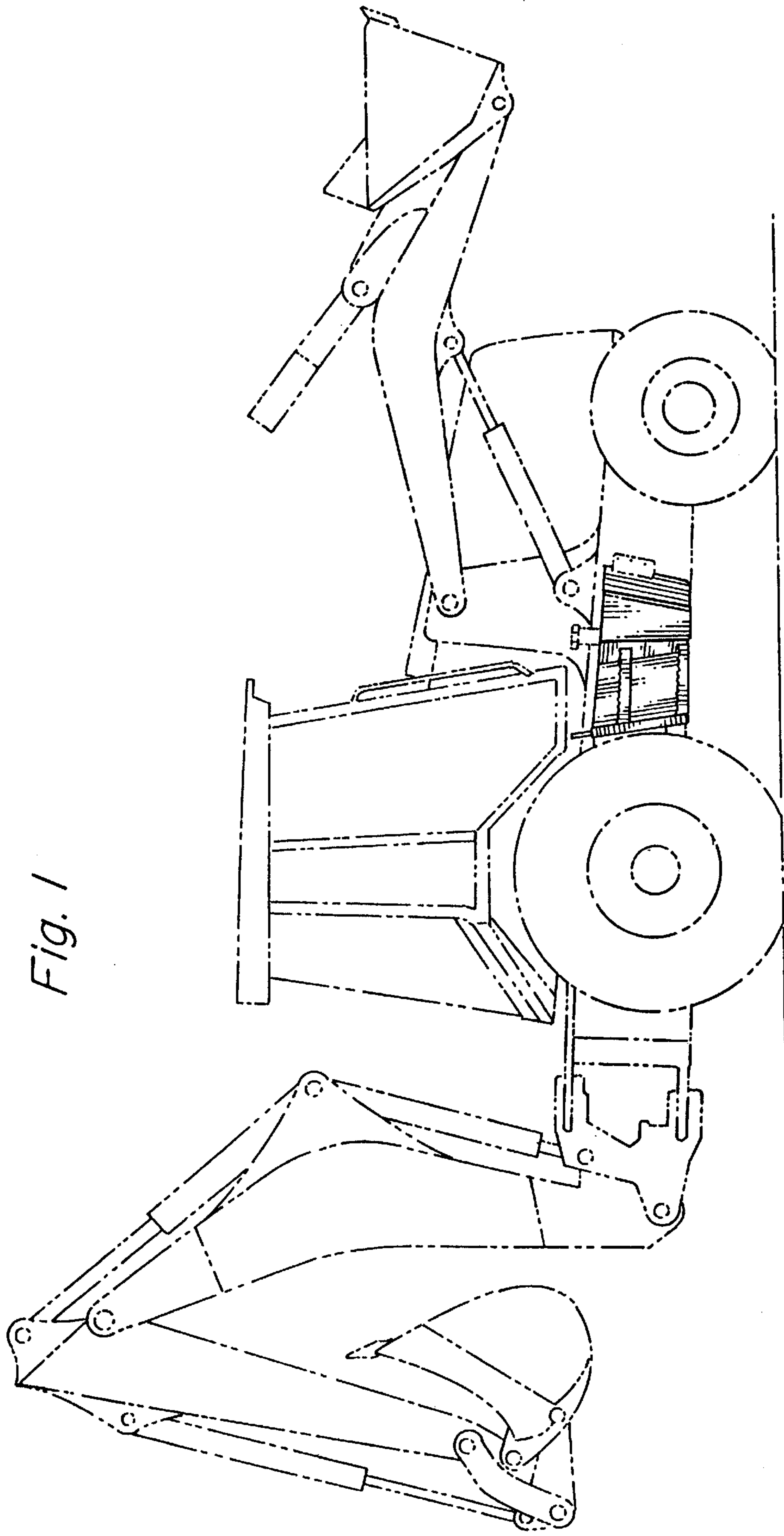


Fig. 1

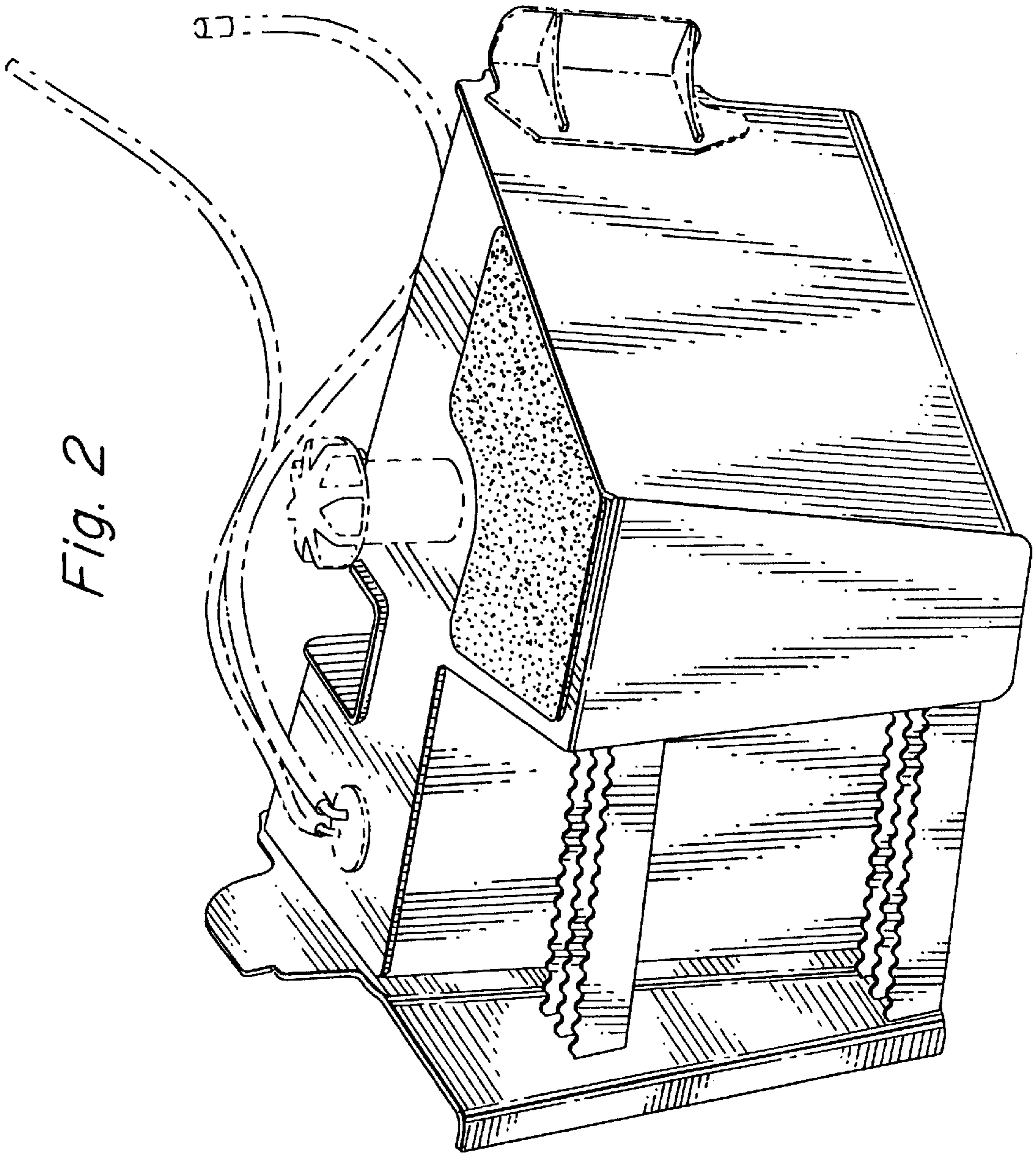


Fig. 2

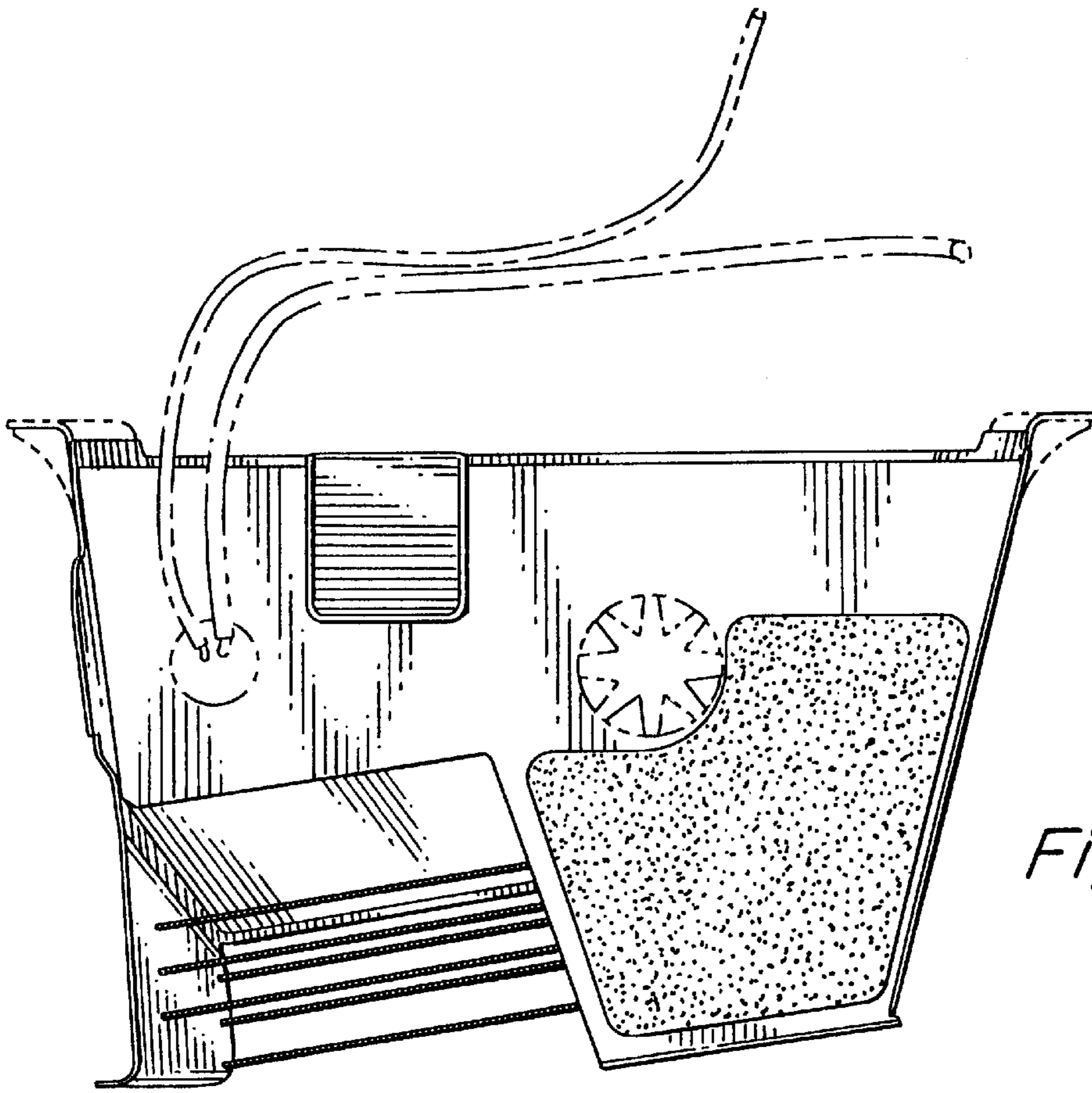


Fig. 3

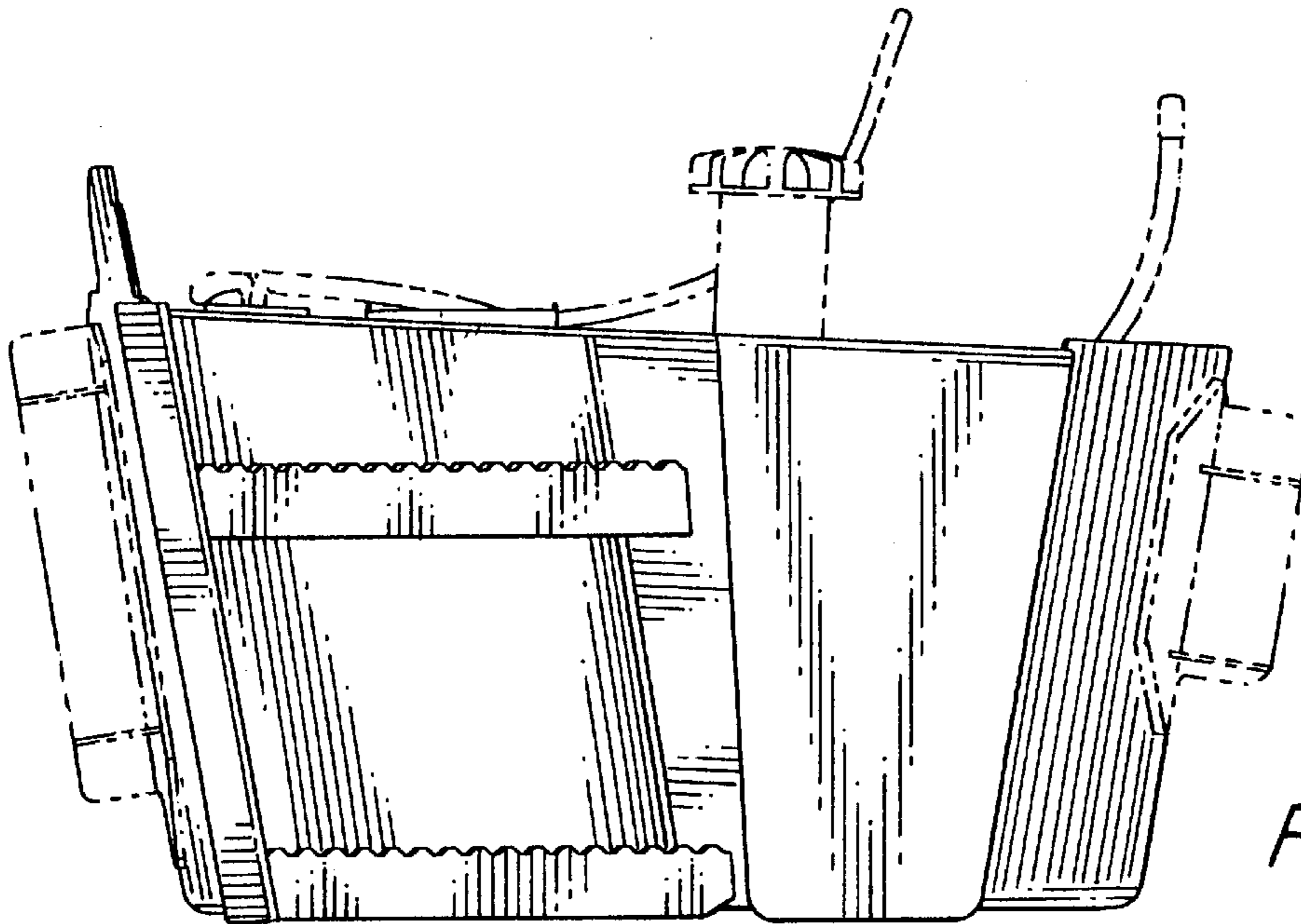


Fig. 4

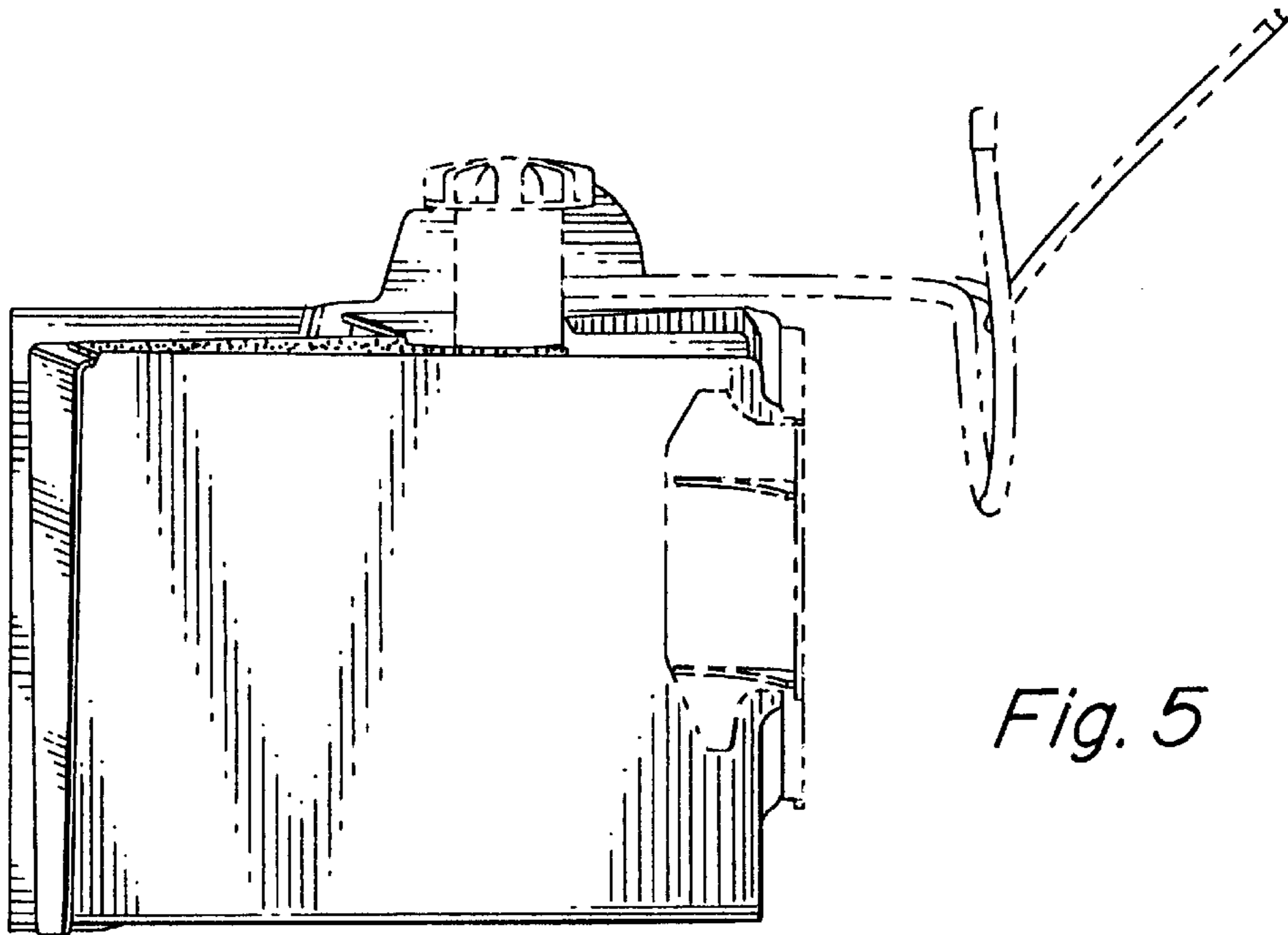


Fig. 5

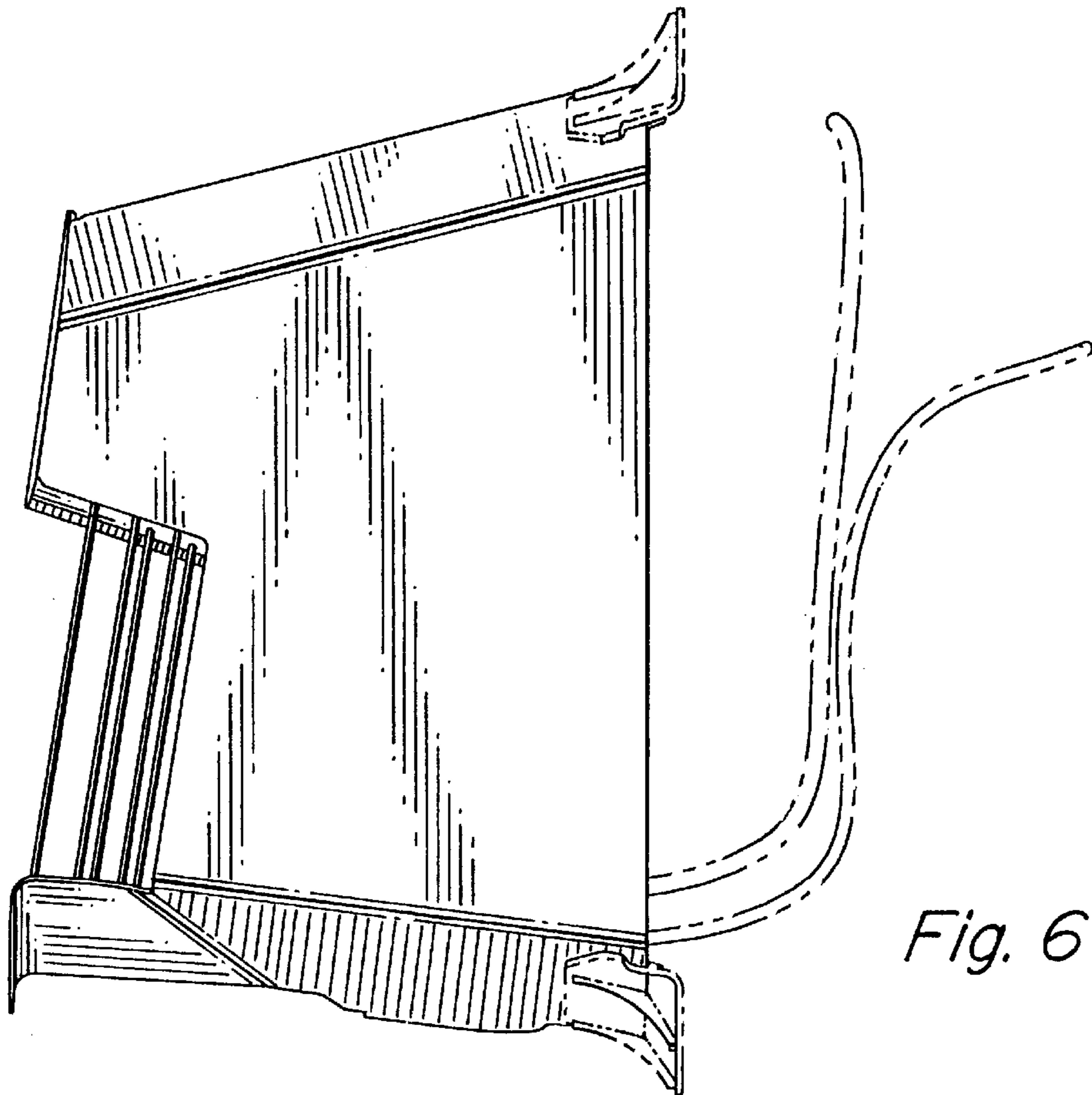


Fig. 6

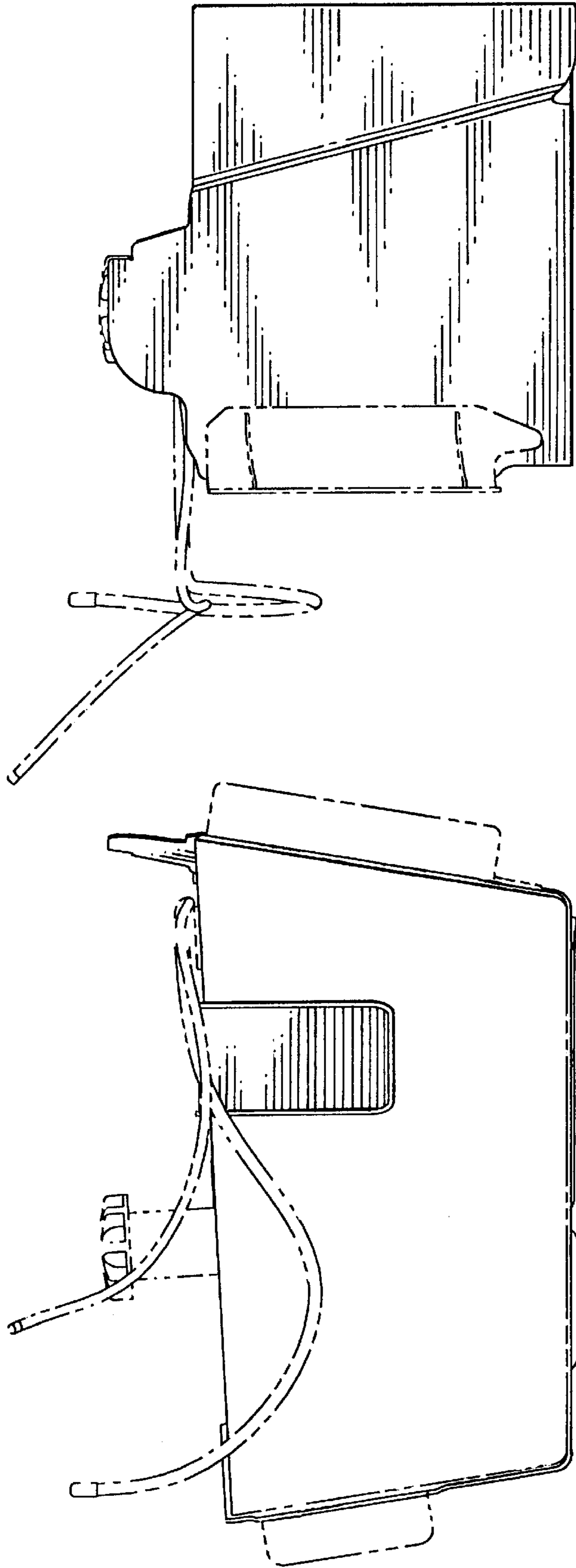


Fig. 8

Fig. 7