



US00D435502S

**United States Patent** [19]  
**Donikoglu**

[11] **Patent Number: Des. 435,502**

[45] **Date of Patent: \*\* Dec. 26, 2000**

[54] **VEHICLE WHEEL**

[75] Inventor: **Melkon Donikoglu**, Southfield, Mich.

[73] Assignee: **Enkei International, Inc.**, Madison Heights, Mich.

[\*\*] Term: **14 Years**

[21] Appl. No.: **29/079,801**

[22] Filed: **Nov. 19, 1997**

[51] **LOC (7) Cl.** ..... **12-16**

[52] **U.S. Cl.** ..... **D12/211**

[58] **Field of Search** ..... D12/204-213;  
301/64.1, 65, 37.1

[56] **References Cited**

**U.S. PATENT DOCUMENTS**

D. 361,547	8/1995	Weld	.....	D12/211
D. 375,075	10/1996	Kugler	.....	D12/209
D. 384,930	10/1997	Hale, Jr.	.....	D12/209
D. 384,932	10/1997	Cullen	.....	D12/211
D. 385,842	11/1997	Cullen	.....	D12/209
D. 386,740	11/1997	Cullen	.....	D12/209

*Primary Examiner*—Stacia Cadmus  
*Attorney, Agent, or Firm*—Rader, Fishman & Grauer PLLC

[57] **CLAIM**

The ornamental design for a vehicle wheel, as shown and described.

**DESCRIPTION**

FIG. 1 is a perspective view of a vehicle wheel showing my new design;

FIG. 2 is a front perspective view thereof;

FIG. 3 is a front elevational view of the vehicle wheel of FIG. 1 shown with the central hub cap removed.

FIG. 4 is a cross section view taken along lines 4—4 of FIG. 3;

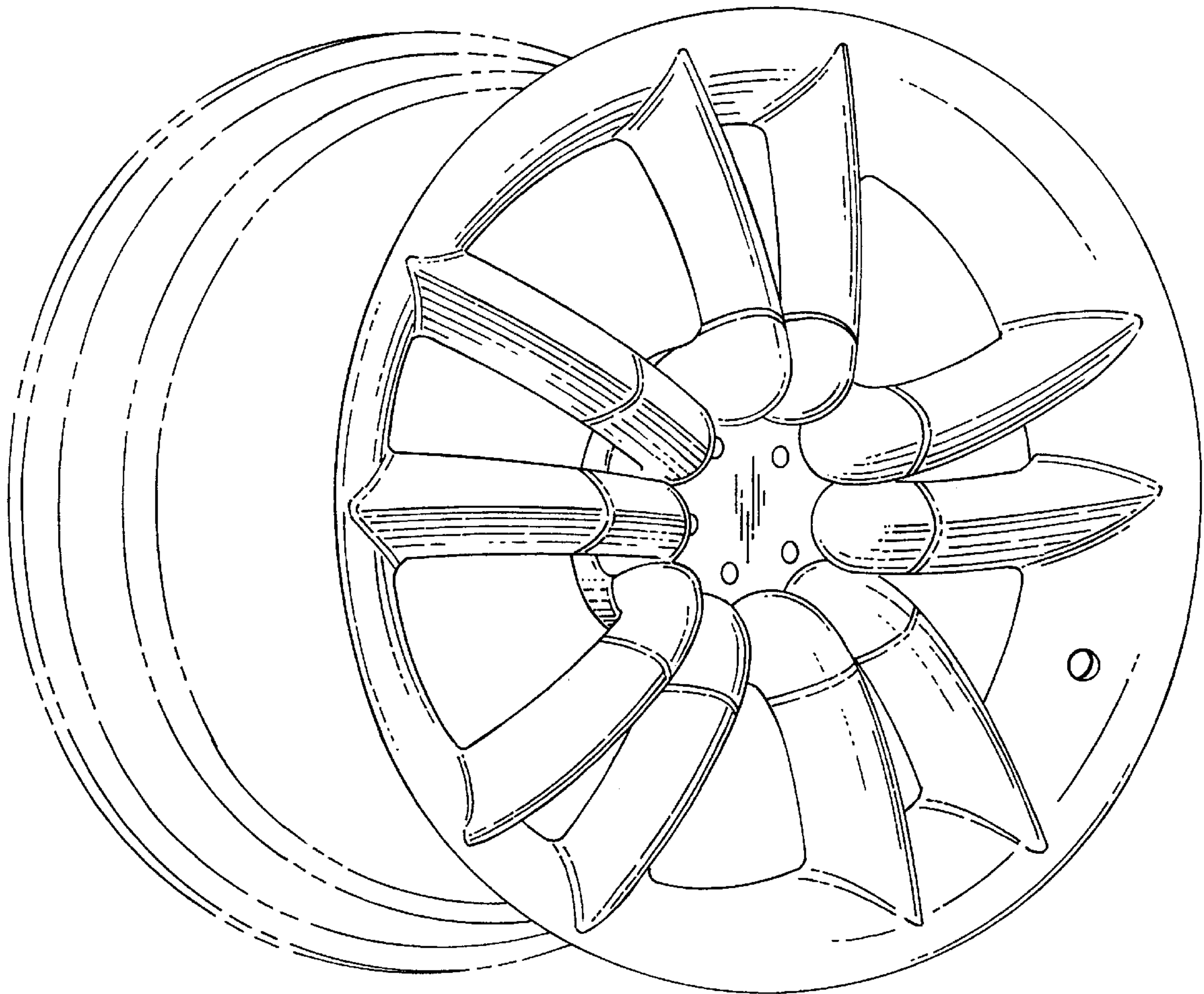
FIG. 5 is a cross sectional view taken along lines 5—5 of FIG. 3;

FIG. 6 is a cross section view taken along lines 6—6 of FIG. 3; and,

FIG. 7 is a cross section view taken along lines 7—7 of FIG. 3.

The broken line showing of environment is for illustrative purposes only and forms no part of the claimed design.

**1 Claim, 3 Drawing Sheets**



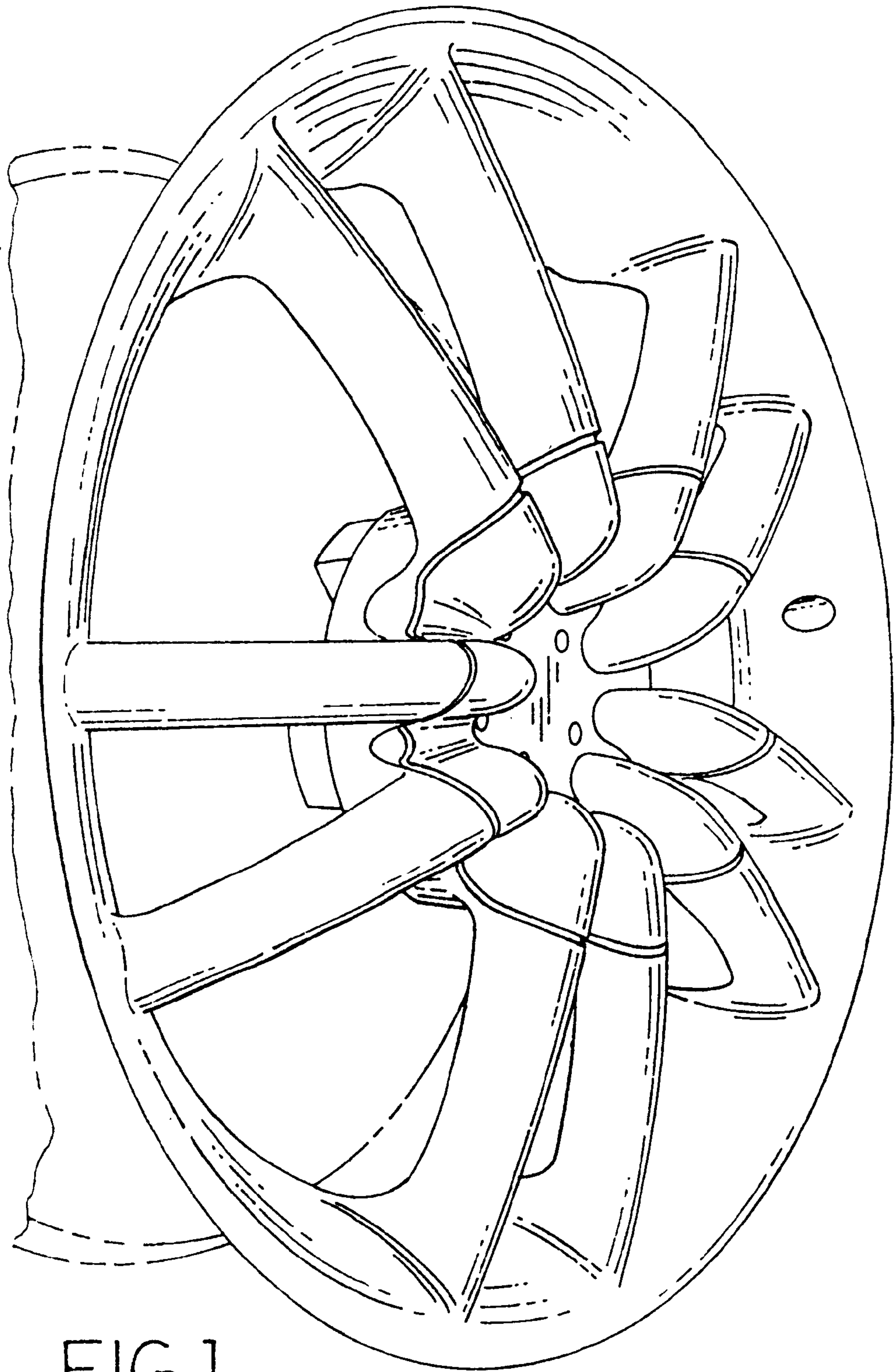


FIG. 1

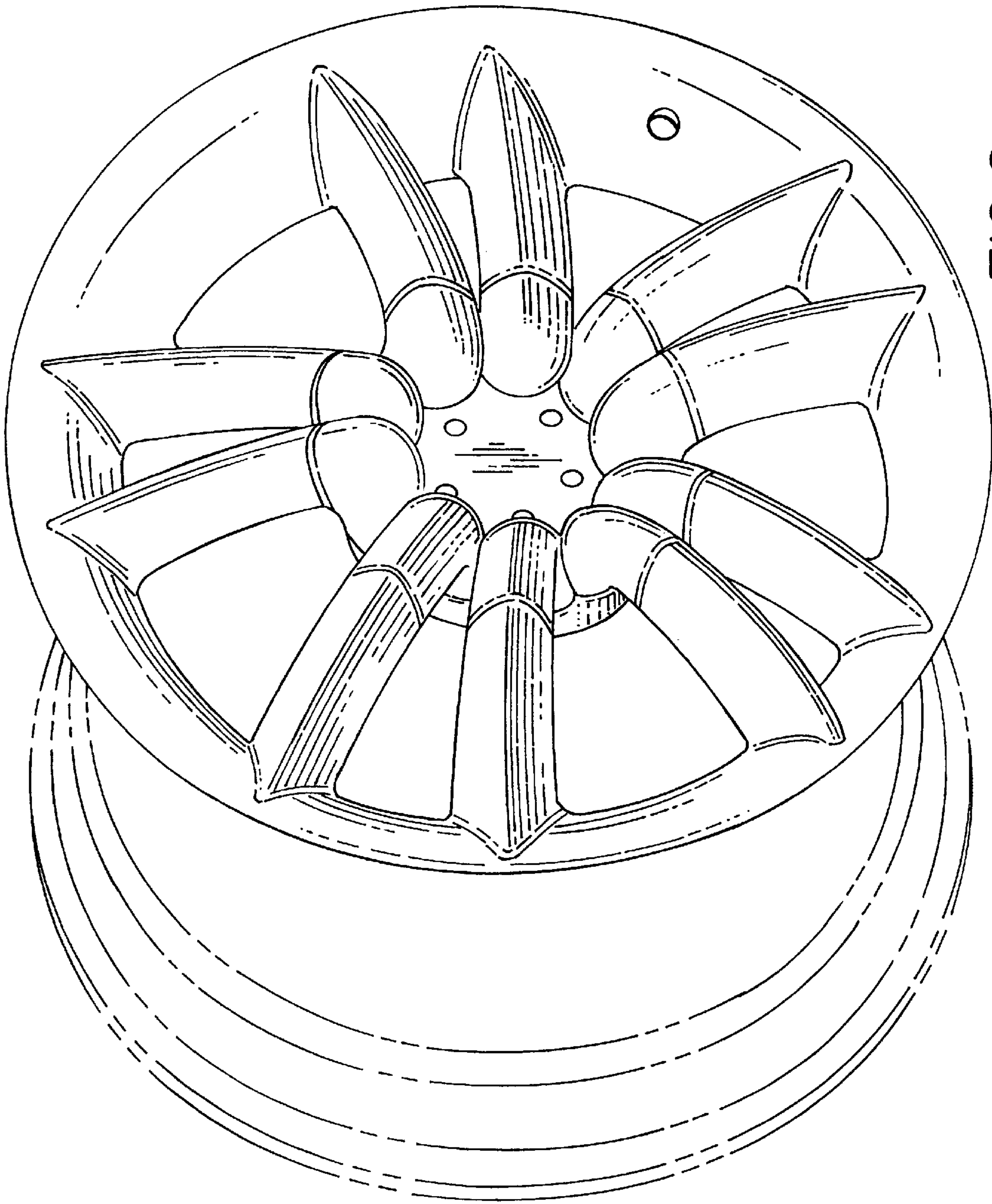


FIG. 2

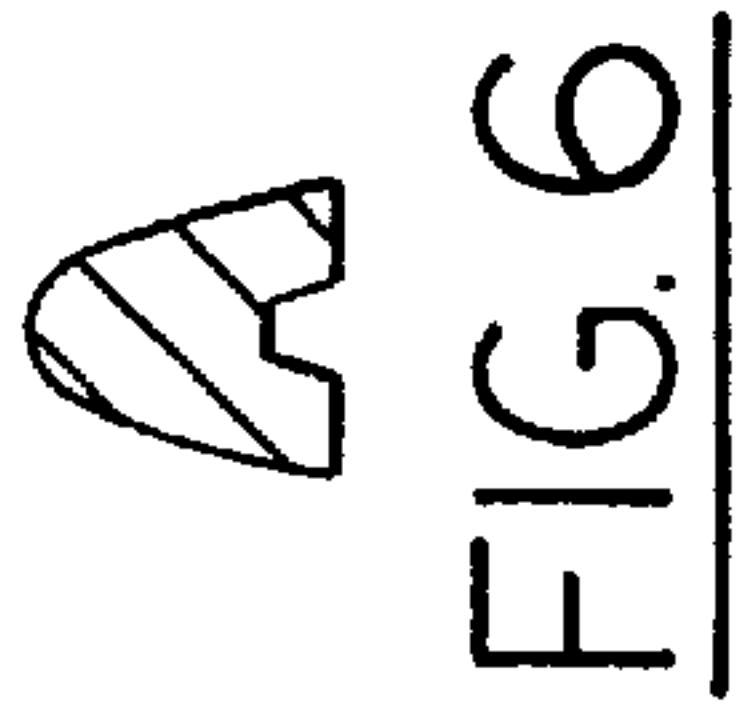


FIG. 6

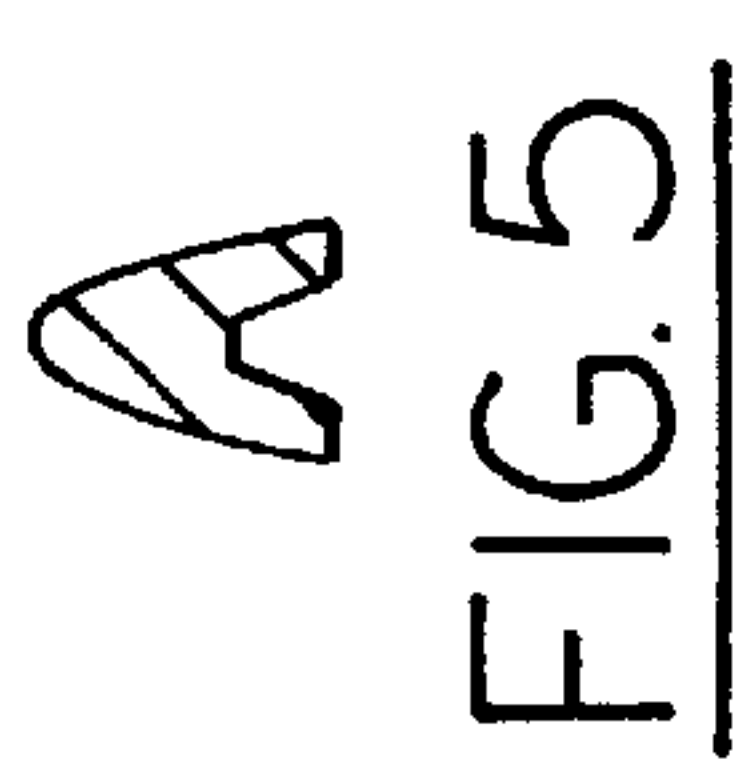


FIG. 5

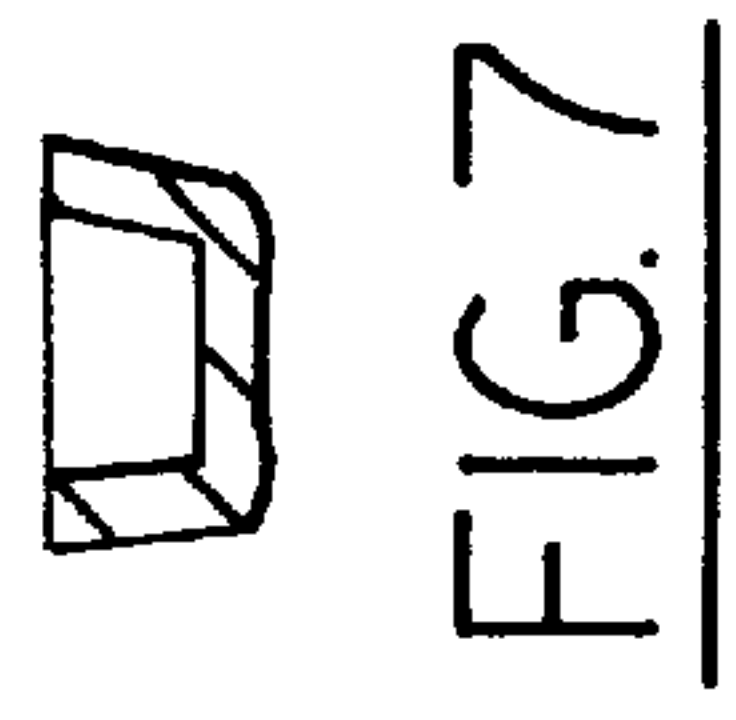


FIG. 7



