



US00D435499S

# United States Patent [19]

Smith et al.

[11] Patent Number: Des. 435,499

[45] Date of Patent: \*\* Dec. 26, 2000

[54] OUTER SURFACE OF A PAIR OF SIDE PANELS FOR A DUMP TRUCK BODY

5,239,753 8/1993 Kalis, Jr. et al. .

### OTHER PUBLICATIONS

[75] Inventors: Joseph G. Smith, Howard; Richard R. Lewellen, Wooster, both of Ohio

Advertisement for Henderson Manufacturing, Division of Willknight, Inc., Manchester, Iowa, Entitled "Spreader and Dump Body Combo Works Year Around", Published on p. 42 of *Government Product News Magazine*, Dec. 1998.

[73] Assignee: Stahl/Scott Fetzer Company, Wooster, Ohio

Product Brochure for Stahl Landmaster Dump Bodies, Stahl/Scott Fetzer, Wooster, Ohio Published, 1995.

[\*\*] Term: 14 Years

Primary Examiner—Melody N. Brown  
Attorney, Agent, or Firm—Watts, Hoffmann, Fisher & Heinke, Co., L.P.A.

[21] Appl. No.: 29/102,195

[22] Filed: Mar. 19, 1999

[51] LOC (7) Cl. .... 12-16

[52] U.S. Cl. .... D12/196

[58] Field of Search ..... D12/196, 14, 15,  
D12/93, 98; 414/476, 477, 480; 298/11,  
23 C, 23 M, 30; 296/56, 57.1

### [57] CLAIM

We claim the ornamental design for an outer surface of a pair of side panels for a dump truck body, as shown and described.

### DESCRIPTION

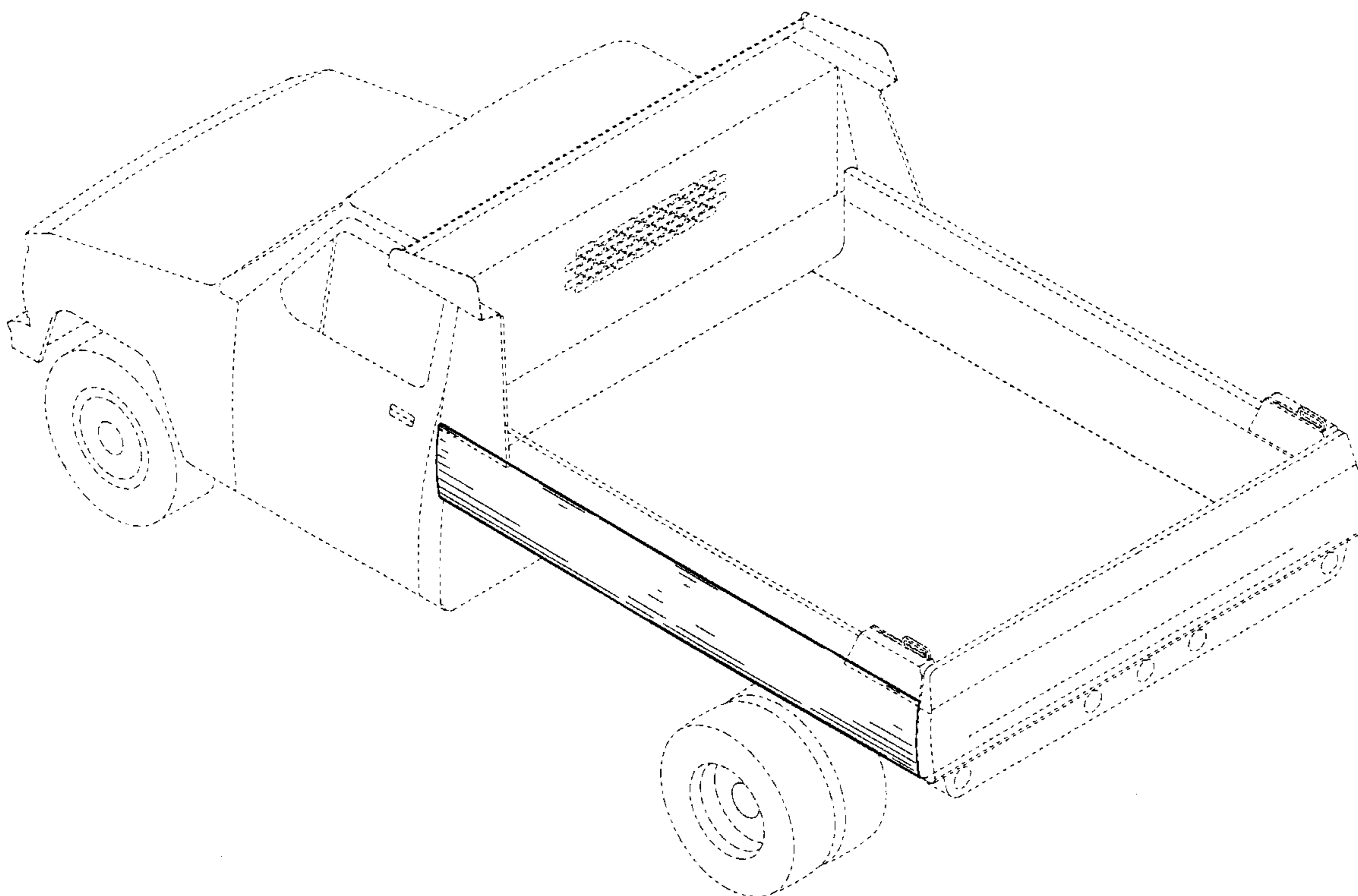
### [56] References Cited

#### U.S. PATENT DOCUMENTS

D. 256,901	9/1980	Carr, Jr. et al. .	
D. 301,572	6/1989	McKennon .....	D12/196
D. 342,930	1/1994	Lewellen et al. .	
D. 345,123	3/1994	Lewellen et al. .	
D. 346,571	5/1994	Lewellen et al. .	
D. 351,816	10/1994	Lewellen et al. .	
D. 351,817	10/1994	Lewellen et al. .	
D. 386,128	11/1997	Gerding et al. .	
D. 393,234	4/1998	Stragier .	
D. 409,524	5/1999	McKinney .....	D12/93
D. 412,682	8/1999	Gerding et al. ....	D12/15
4,306,381	12/1981	Presto .	

FIG. 1 is a perspective view of the portion of a pair of side panels for a dump truck body showing our new design; FIG. 2 is a side elevational view of the left side panel shown in FIG. 1; FIG. 3 is a side elevational view of the right side panel; FIG. 4 is a top plan view of the left side panel; FIGS. 5 is a bottom plan view of the left side panel; FIG. 6 is a greatly enlarged cross-sectional view of the left side panel as seen from the plane indicated by the line 6—6 in FIG. 2, the right side panel being a mirror image thereof. The broken lines shown are for illustrative purposes only and form no part of the claimed design.

1 Claim, 3 Drawing Sheets



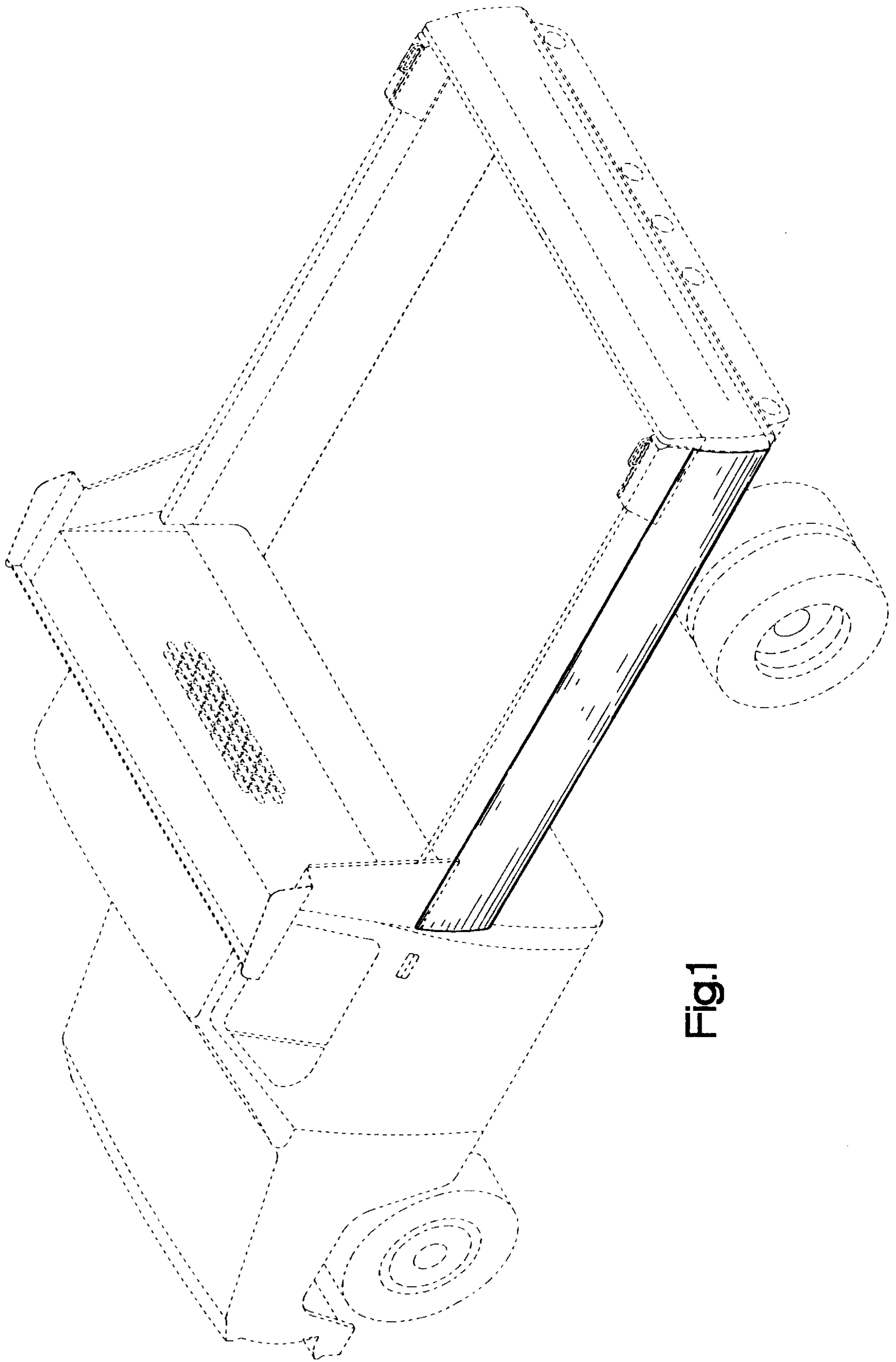


Fig.1



Fig. 2

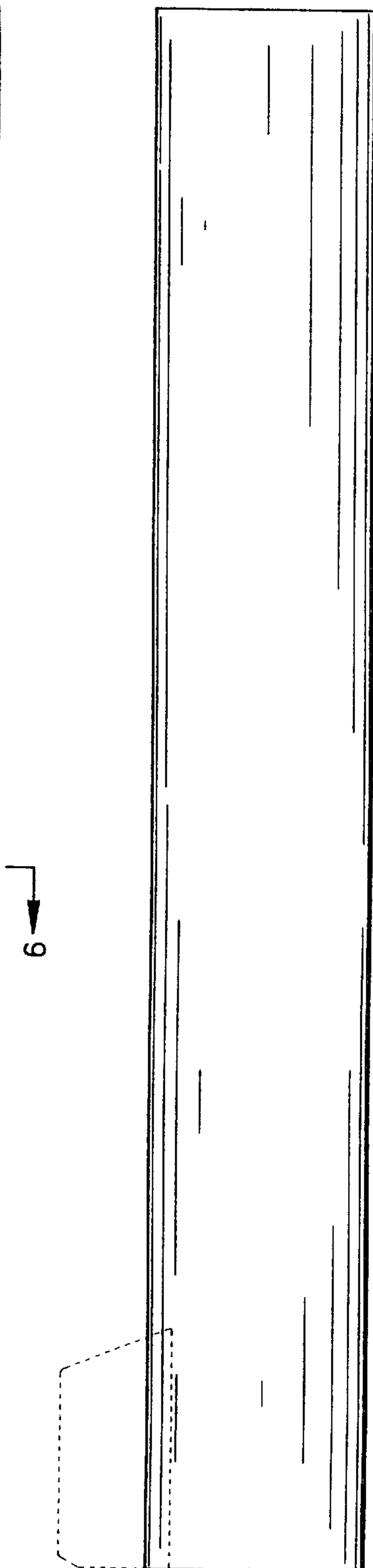


Fig. 3

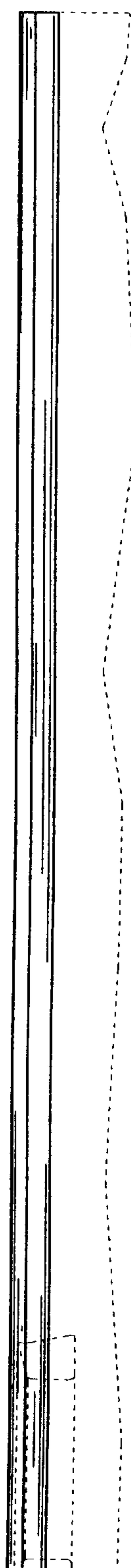


Fig. 4

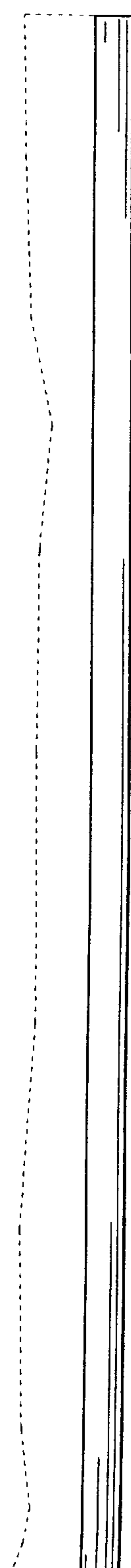


Fig. 5

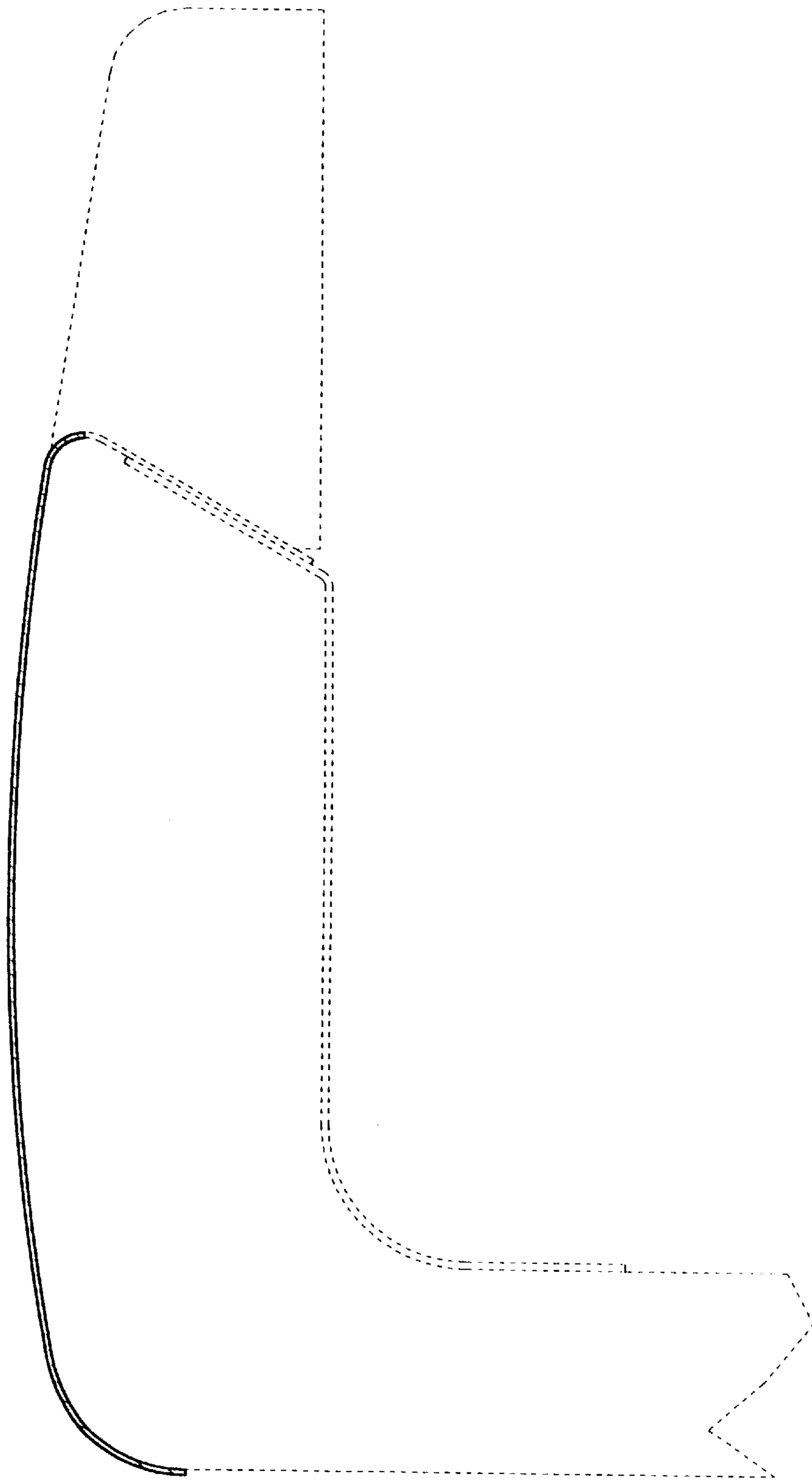


Fig.6