



US00D435488S

United States Patent [19]
Allemeier

[11] **Patent Number: Des. 435,488**

[45] **Date of Patent: ** Dec. 26, 2000**

[54] **SURFACE CONFIGURATION OF A VEHICLE BODY AND/OR TOY**

[75] Inventor: **Tom Allemeier**, Munich, Germany

[73] Assignee: **Bayerische Motoren Werke Aktiengesellschaft**, Munich, Germany

[**] Term: **14 Years**

[21] Appl. No.: **29/118,119**

[22] Filed: **Feb. 7, 2000**

[30] **Foreign Application Priority Data**

Aug. 7, 1999 [DE] Germany 499 07 518

[51] **LOC (7) Cl.** **12-08**

[52] **U.S. Cl.** **D12/92**

[58] **Field of Search** D12/90-92; 296/185

[56] **References Cited**

U.S. PATENT DOCUMENTS

D. 371,328	7/1996	Nagashima	D12/92
D. 387,309	12/1997	Syring	D12/92
D. 392,222	3/1998	Sacco et al.	D12/92
D. 396,432	6/1998	Syring	D12/91

Primary Examiner—Melody N. Brown
Attorney, Agent, or Firm—Evenson, McKeown, Edwards & Lenahan, P.L.L.C.

[57] **CLAIM**

The ornamental design for a surface configuration of a vehicle body and/or toy, as shown and described.

DESCRIPTION

FIG. 1 is a front, left perspective view of a surface configuration of a vehicle body and/or toy according to my novel design;

FIG. 2 is a rear, right perspective view of the surface configuration of a vehicle body and/or toy according to my novel design;

FIG. 3 is a left side view of the surface configuration of a vehicle body and/or toy according to my novel design;

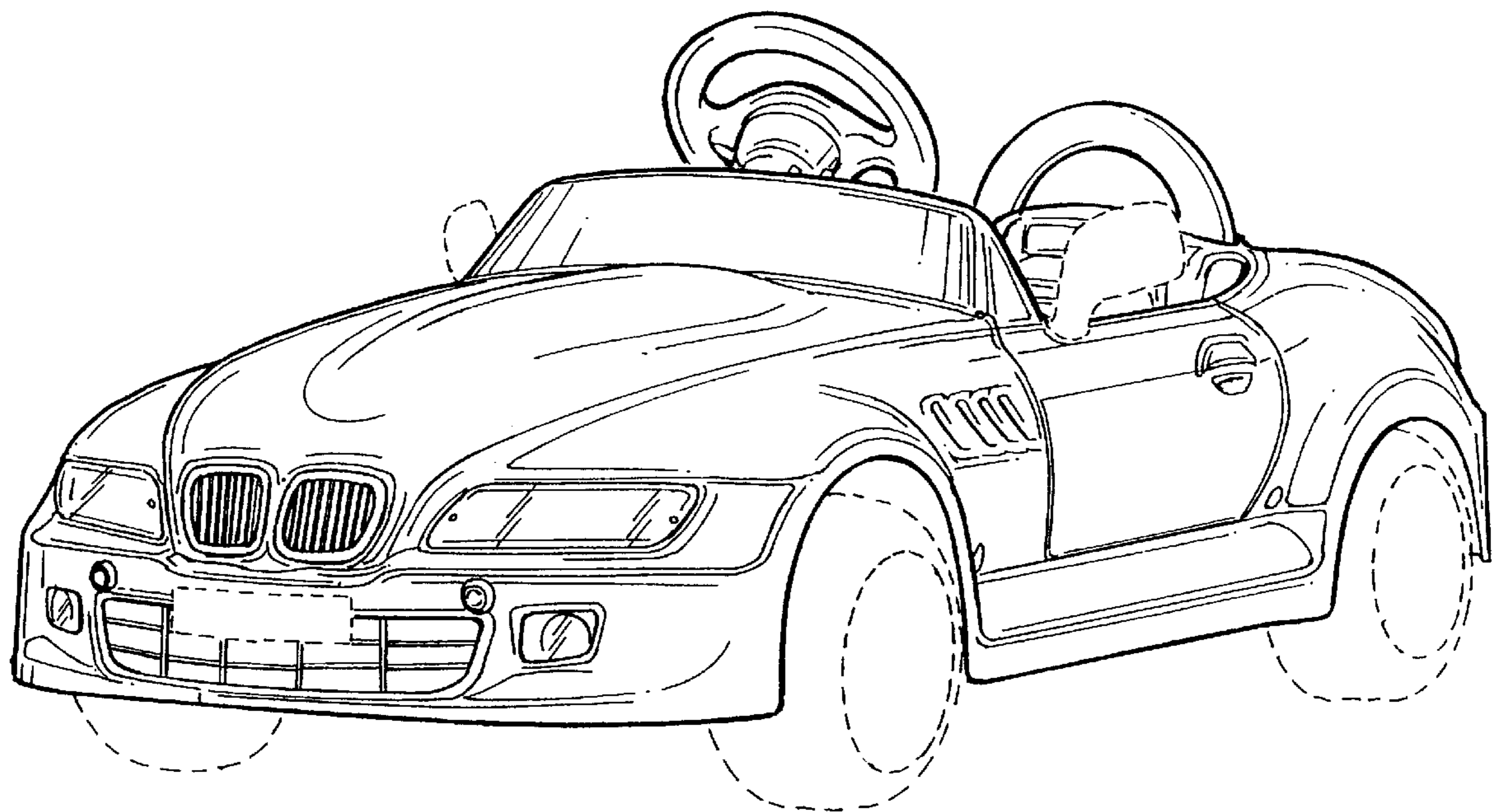
FIG. 4 is a front view of the surface configuration of a vehicle body and/or toy according to my novel design;

FIG. 5 is a rear view of the surface configuration of a vehicle body and/or toy according to my novel design; and,

FIG. 6 is a top view of the surface configuration of a vehicle body and/or toy according to my novel design.

The broken lines included depict environment and are not part of the claimed design.

1 Claim, 5 Drawing Sheets



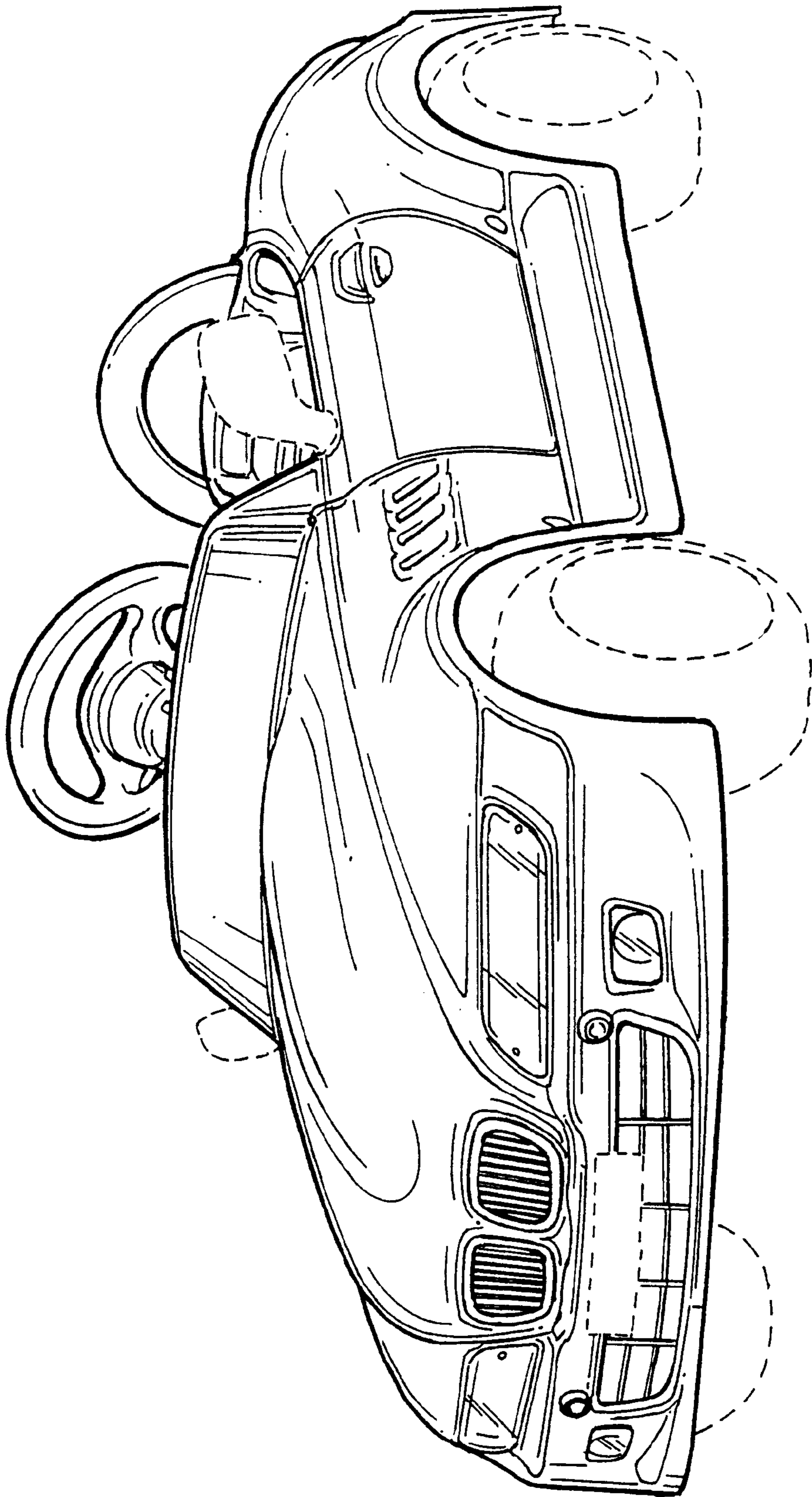


FIG. 1

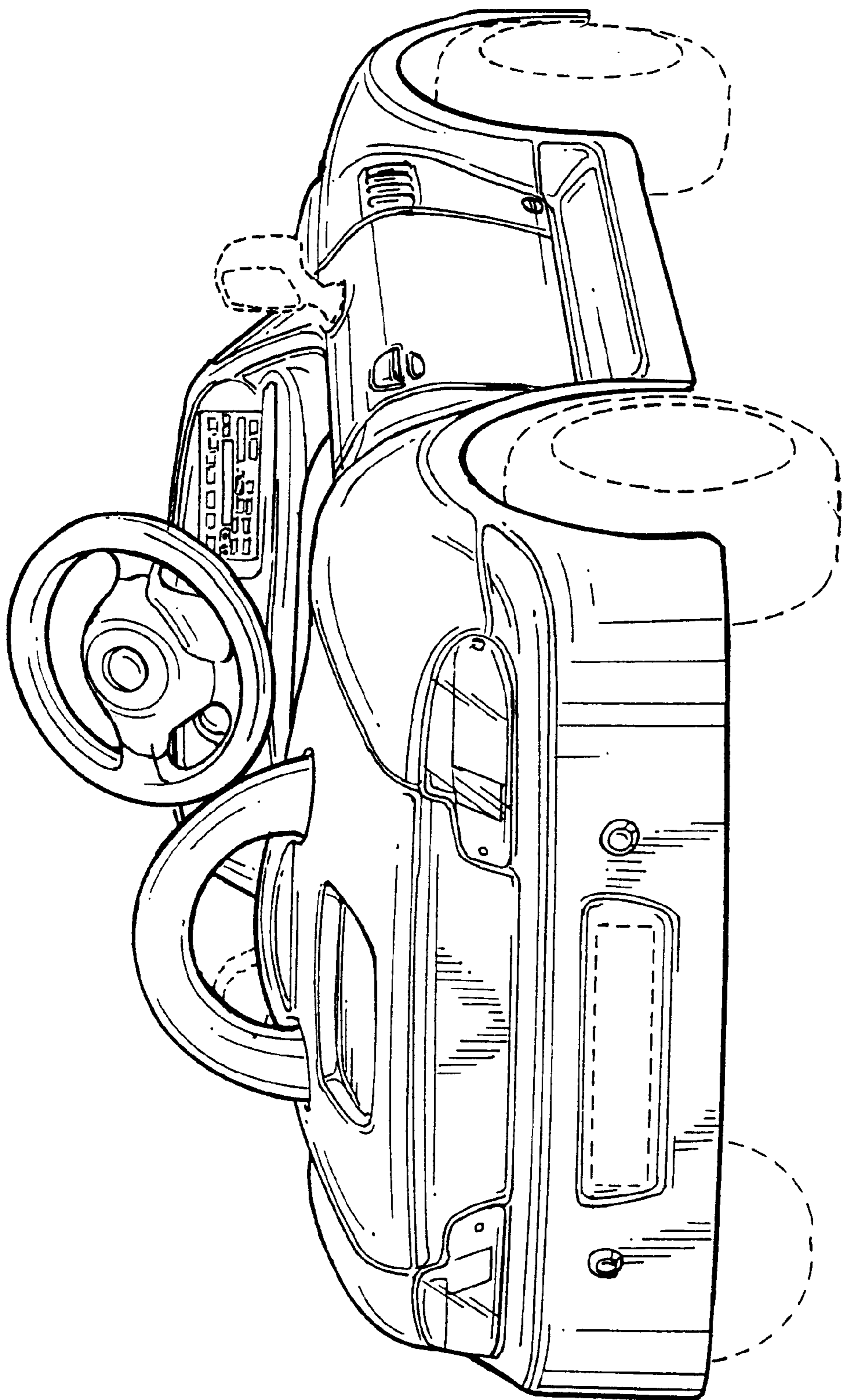


FIG. 2

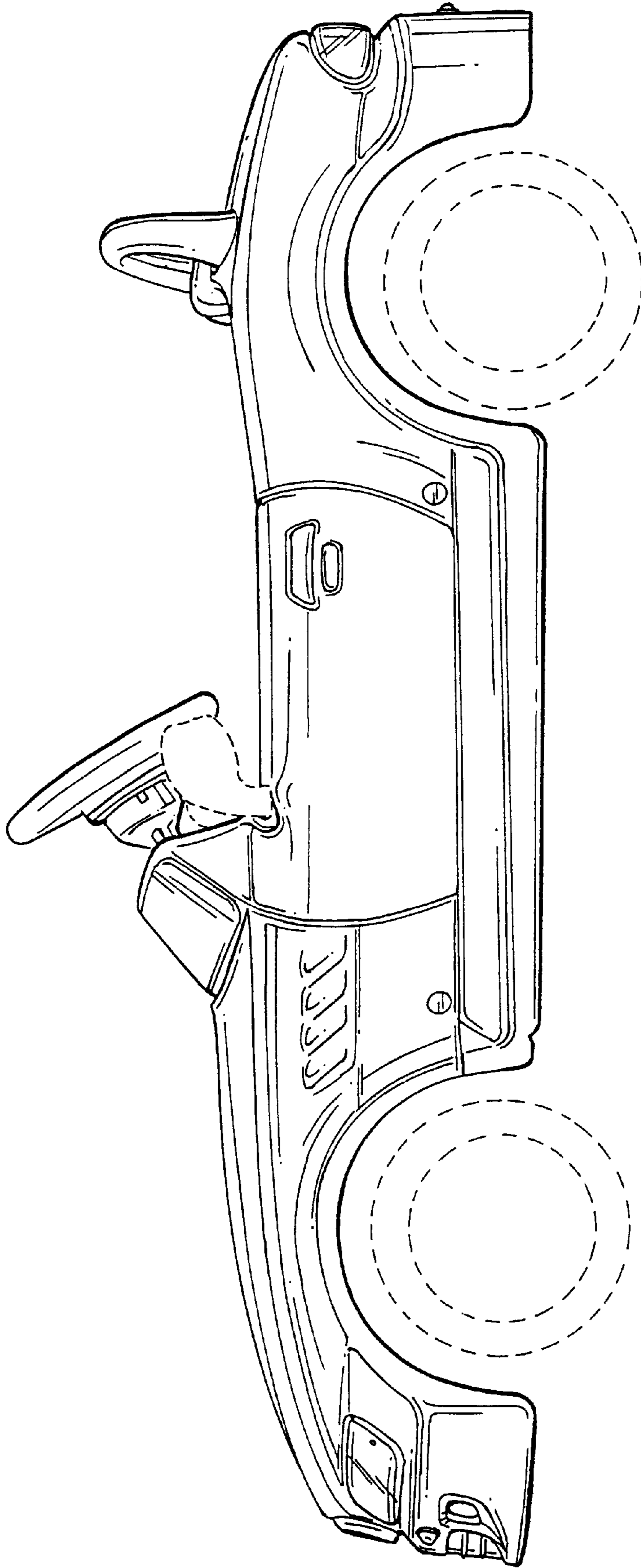


FIG. 3

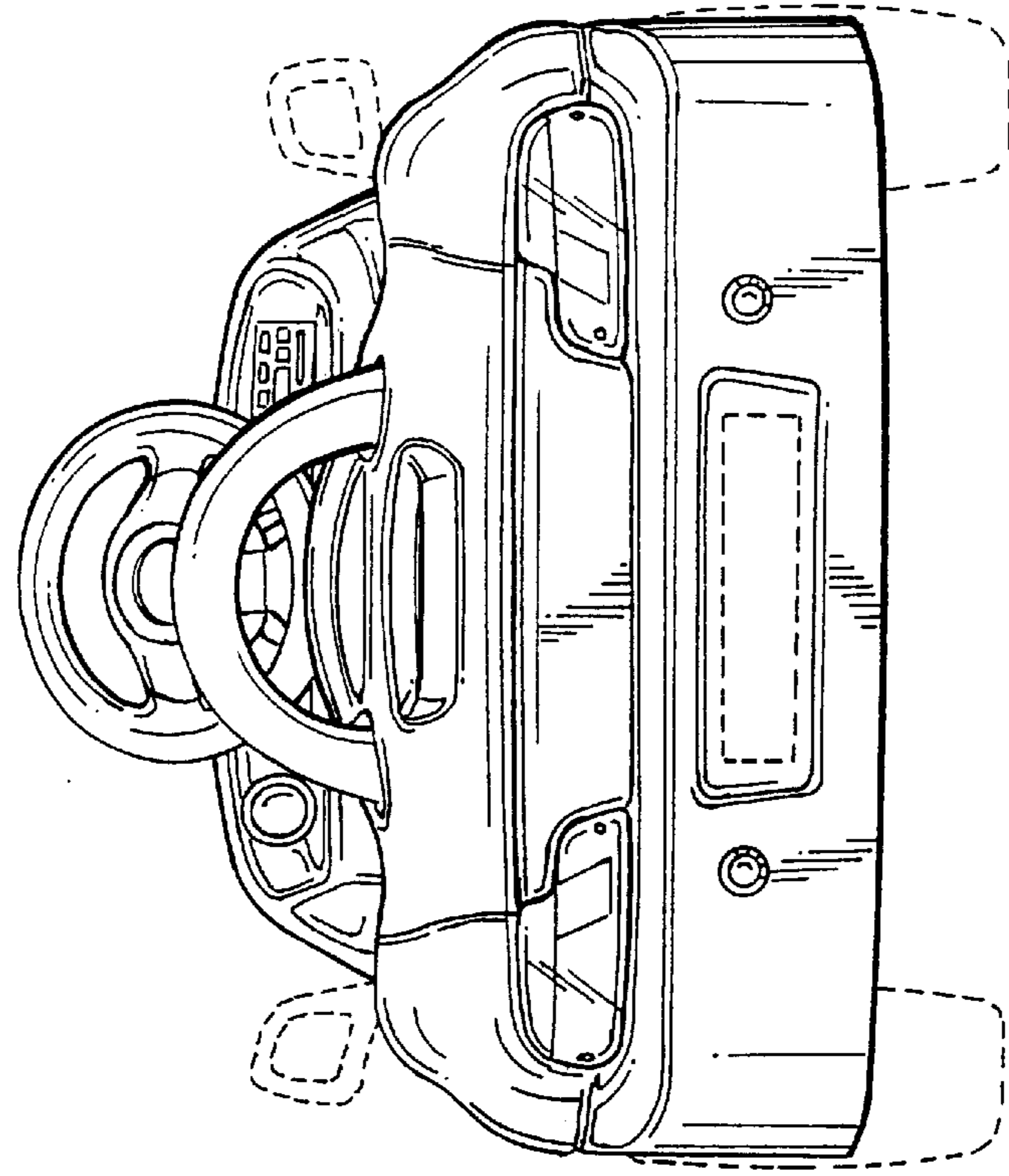


FIG. 5

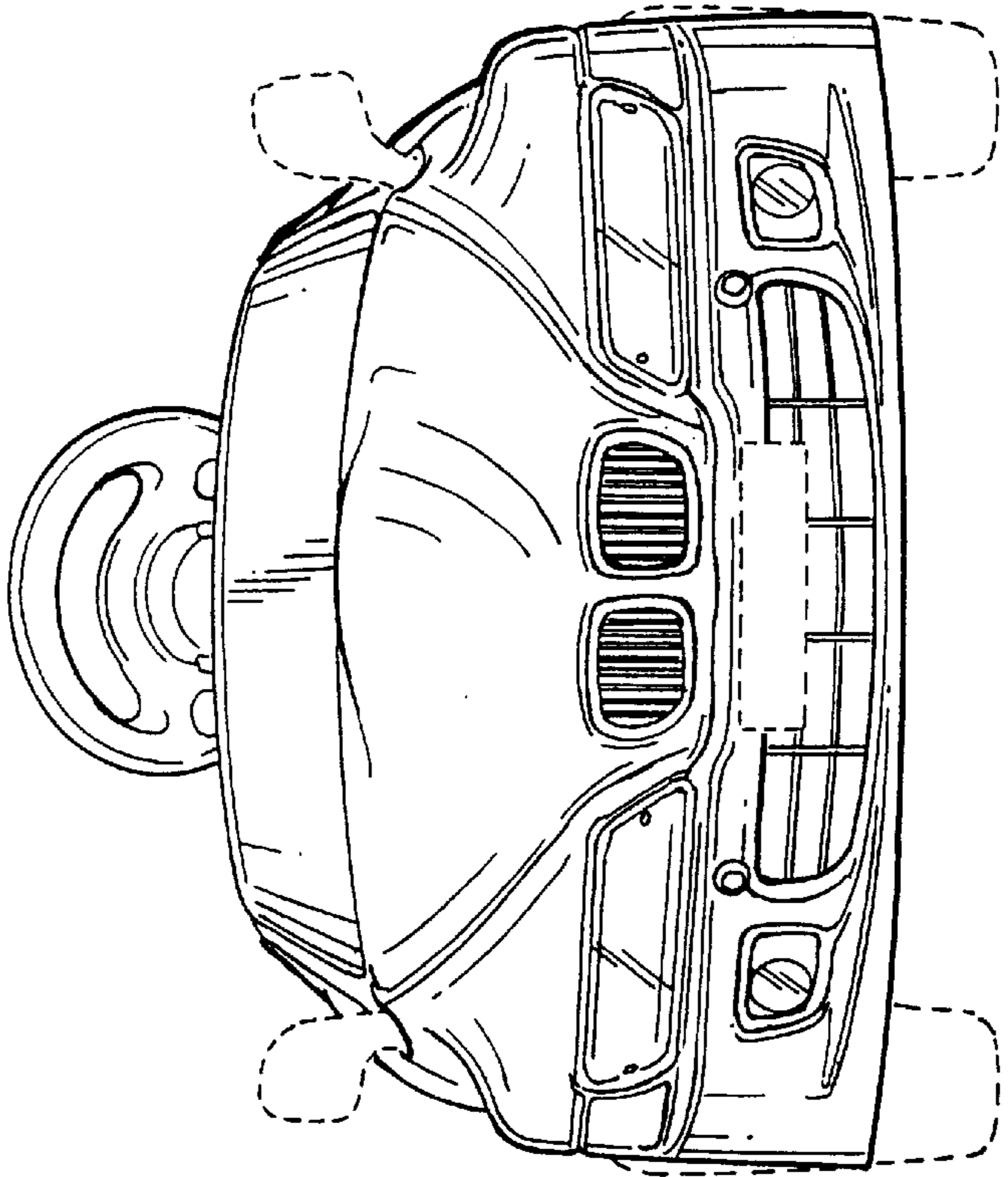


FIG. 4

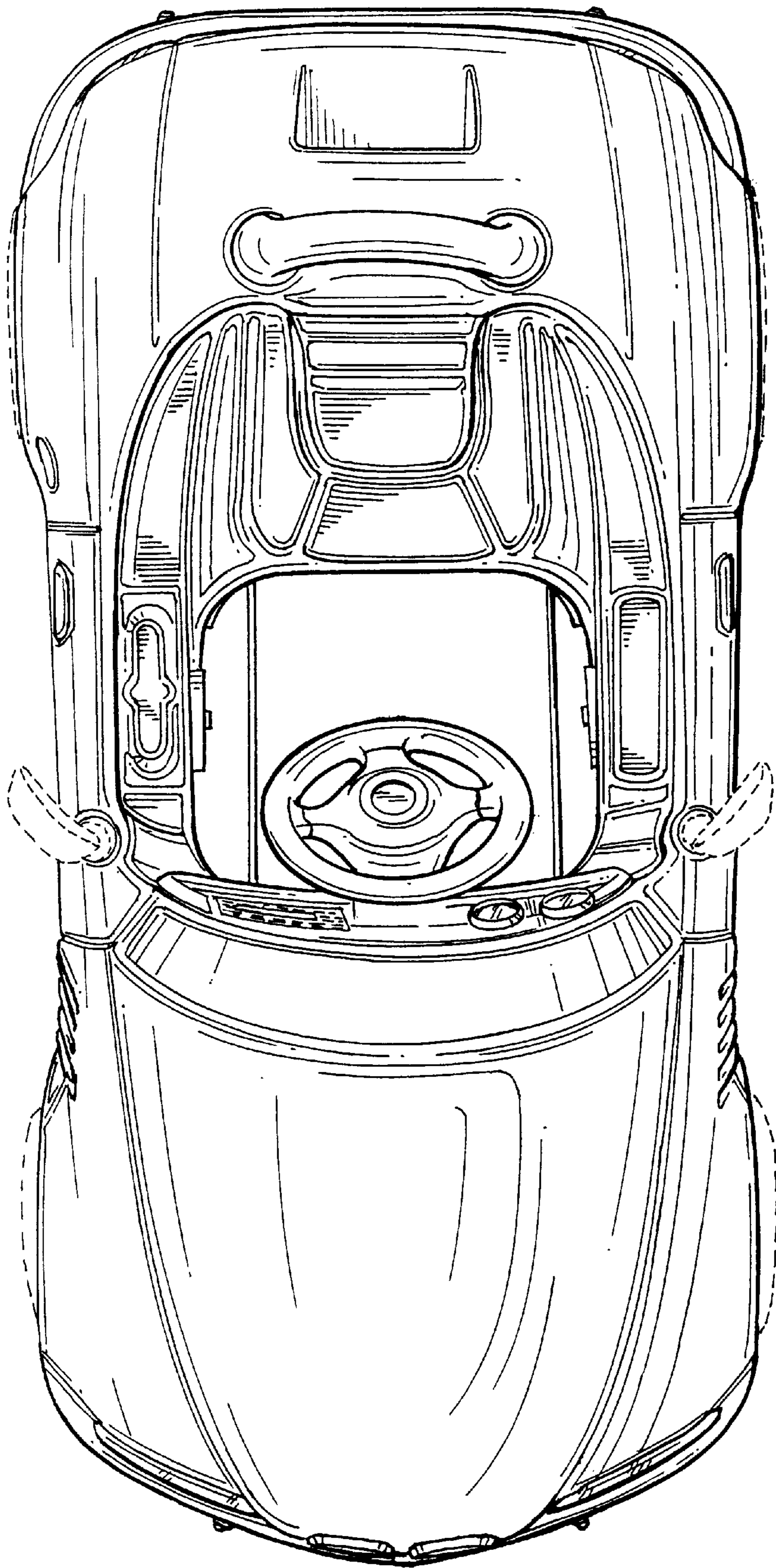


FIG. 6