



US00D435487S

United States Patent [19]

Covert

[11] Patent Number: Des. 435,487

[45] Date of Patent: ** Dec. 26, 2000

[54] **ALL-TERRAIN VEHICLE WITH REMOVABLE ENCLOSURE**

[76] Inventor: **Bernard F Covert**, 183 Zion Church Rd., Chicora, Pa. 16025

[**] Term: **14 Years**

[21] Appl. No.: **29/116,075**

[22] Filed: **Dec. 23, 1999**

[51] **LOC (7) Cl.** **12-14**

[52] **U.S. Cl.** **D12/1**

[58] **Field of Search** D12/1, 14, 16, D12/86, 85, 90-92, 107; D21/533, 548, 550; 296/185, 77.1, 78.1; 280/756, DIG. 5; 180/211, 215-216, 907, 65.1, 231; 414/460

D. 342,699 12/1993 Miyamoto et al. D12/1

D. 342,701 12/1993 Murata et al. D12/107

D. 343,596 1/1994 Writt, Jr. et al. D12/1

D. 379,944 6/1997 Cheng D12/85

D. 381,293 7/1997 Cheng D12/85

D. 419,107 1/2000 Hofer et al. D12/86

Primary Examiner—Stacia Cadmus

[57] CLAIM

The ornamental design for an all-terrain vehicle with removable enclosure, as shown and described.

DESCRIPTION

FIG. 1 is a left side elevational view of the all-terrain vehicle with removable enclosure of the present invention, the right side view being a mirror image thereof;

FIG. 2 is a rear elevational view of the all-terrain vehicle with removable enclosure of FIG. 1;

FIG. 3 is a front elevational view of the all-terrain vehicle with removable enclosure of FIG. 1;

FIG. 4 is a top plan view of the all-terrain vehicle with removable enclosure of FIG. 1; and,

FIG. 5 is a bottom plan view of the all-terrain vehicle with removable enclosure of FIG. 1.

[56] **References Cited**

U.S. PATENT DOCUMENTS

D. 231,333 4/1974 Lewis D12/1

D. 322,050 12/1991 Kataoka et al. D12/1

D. 331,205 11/1992 Vaughn D12/1

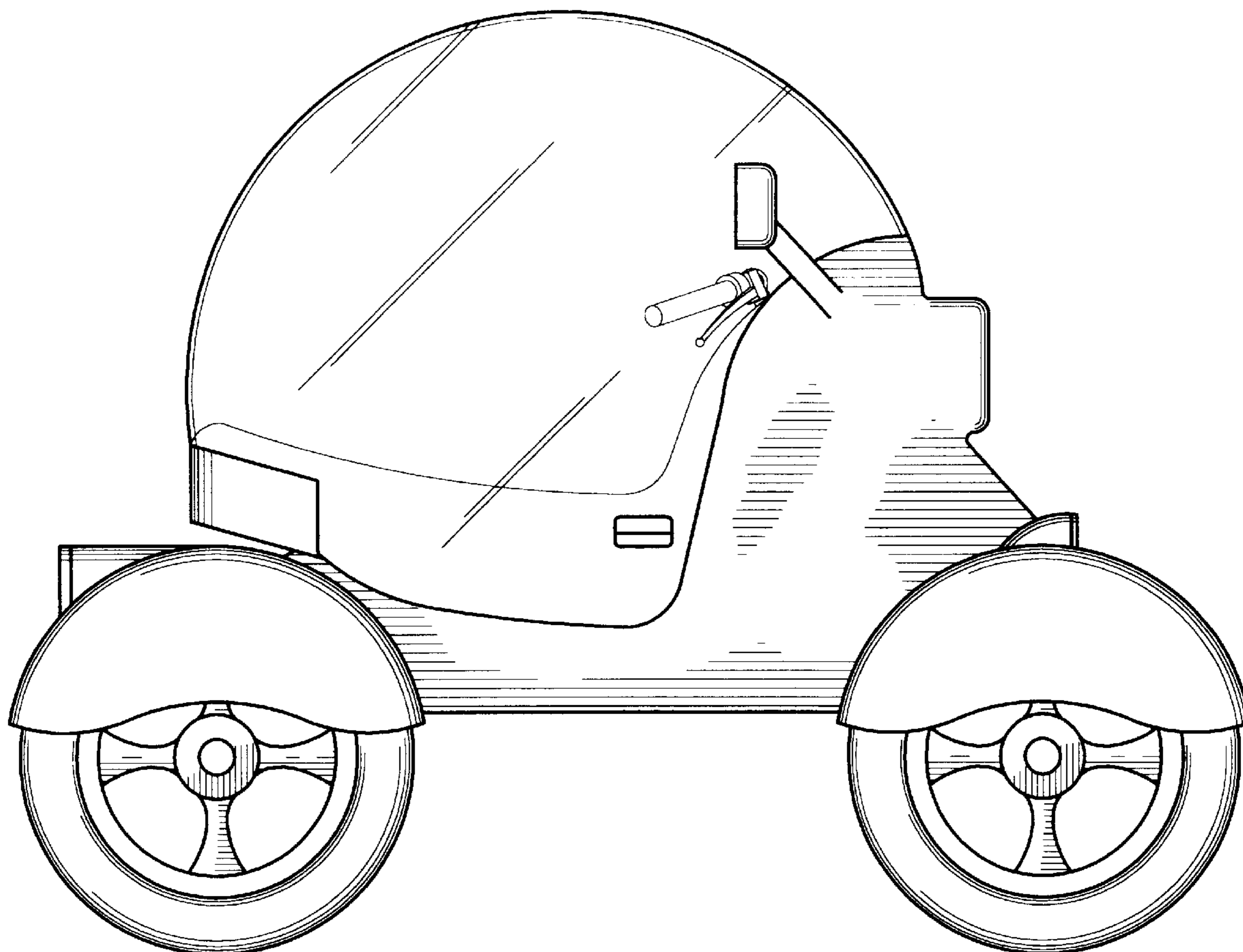
D. 332,239 1/1993 Hirata et al. D12/1

D. 332,927 2/1993 Ferino D12/1

D. 337,968 8/1993 Kimball D12/1

D. 340,423 10/1993 Gallone D12/1

1 Claim, 4 Drawing Sheets



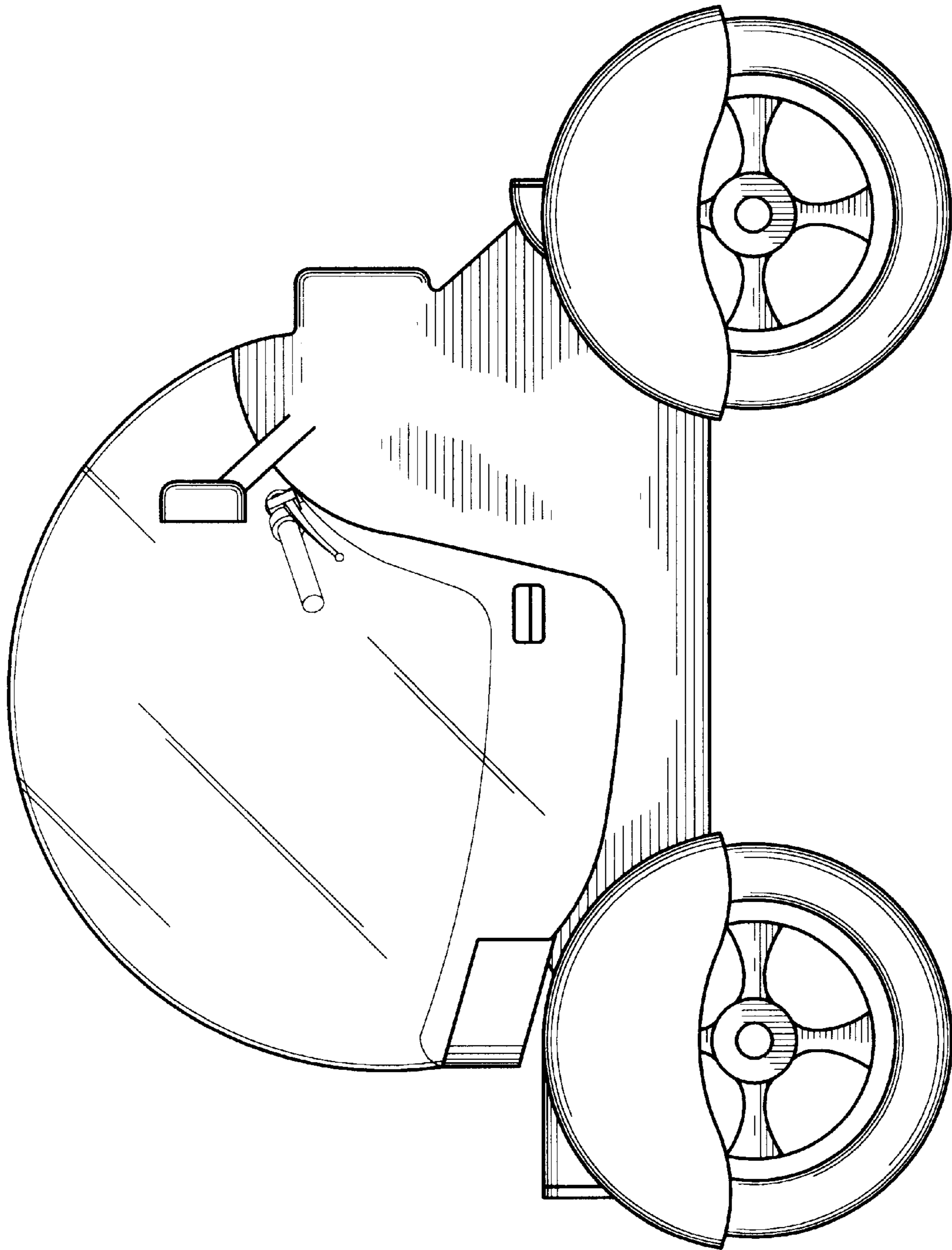


FIG. 1

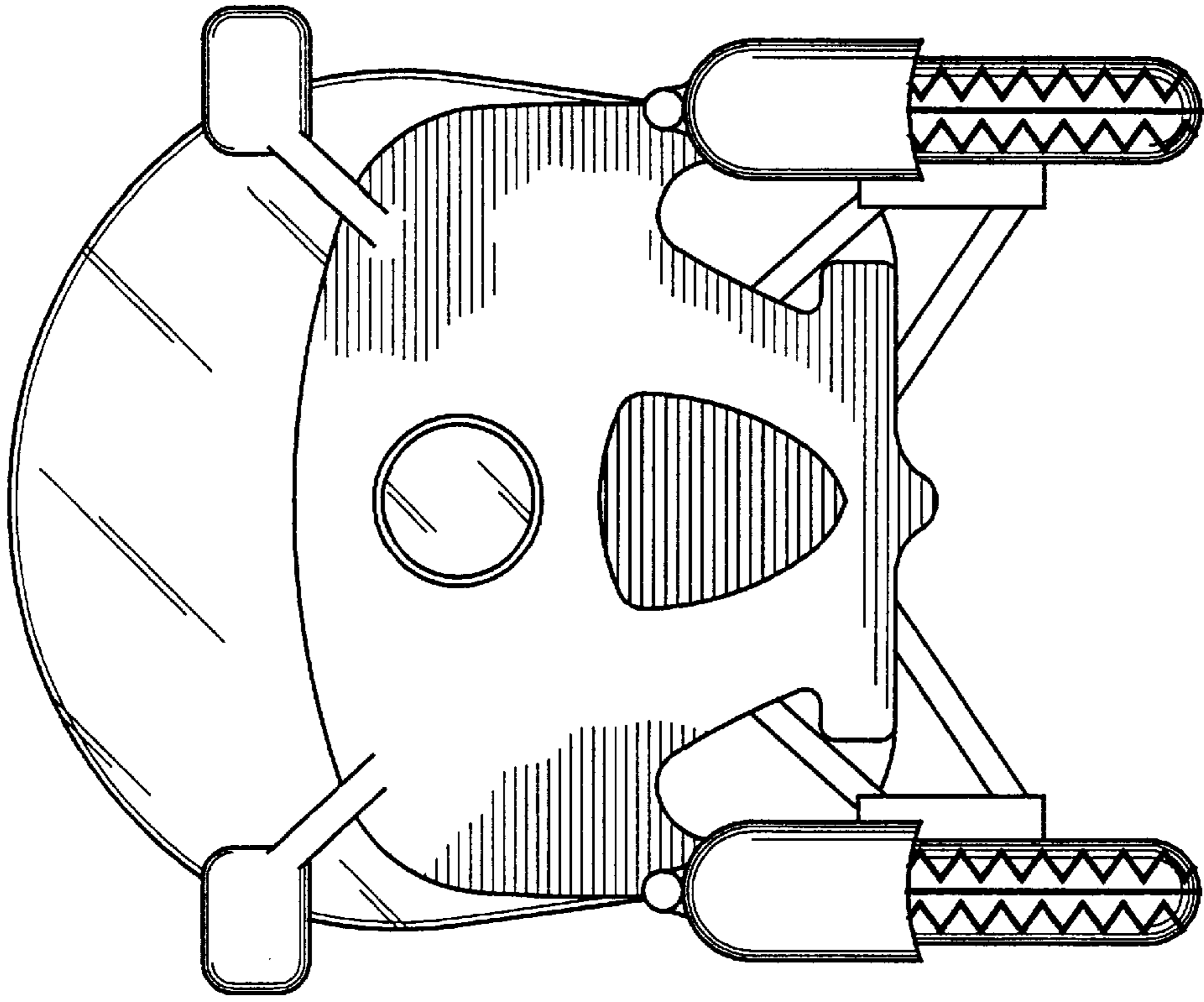


FIG. 2

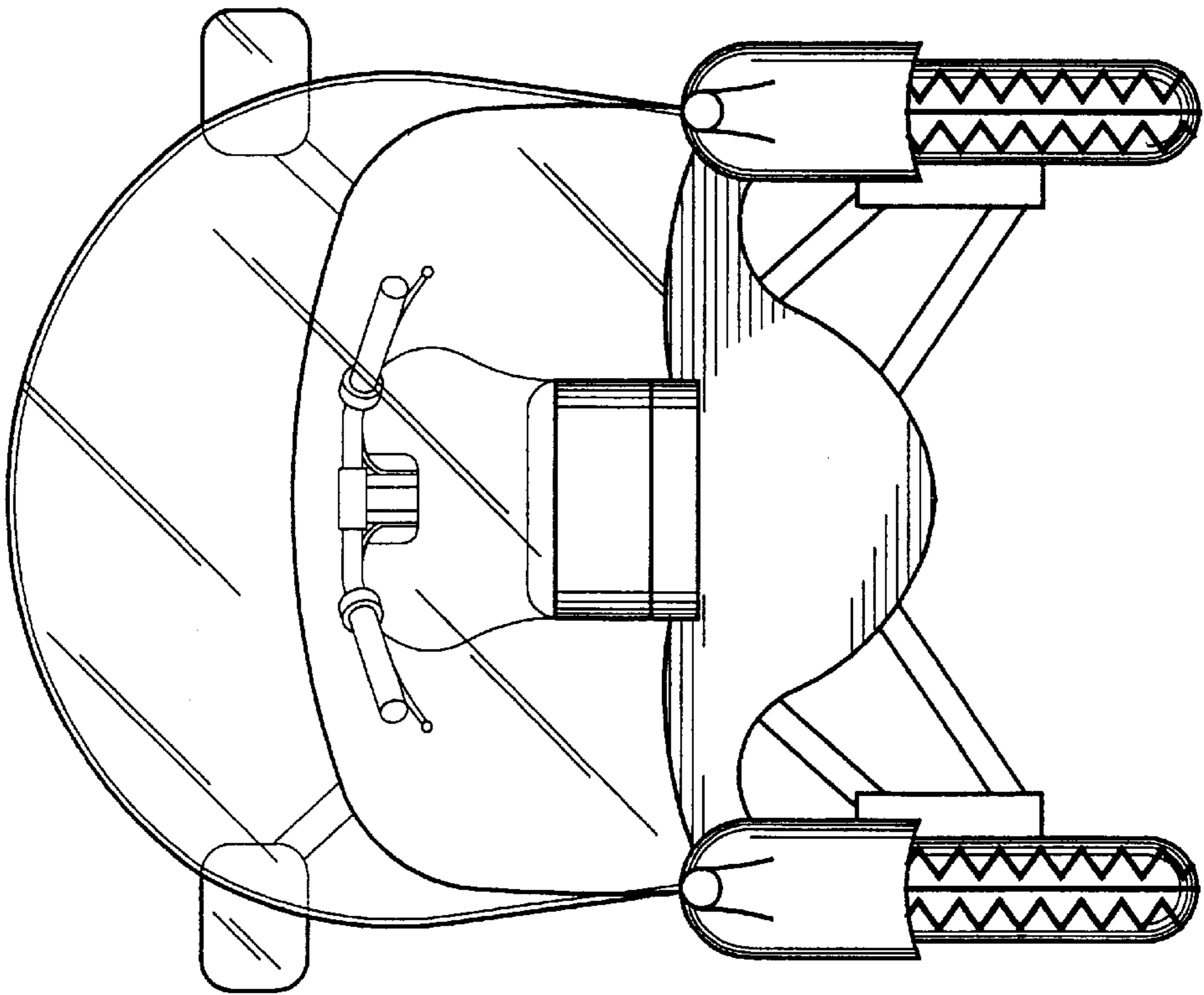


FIG. 3

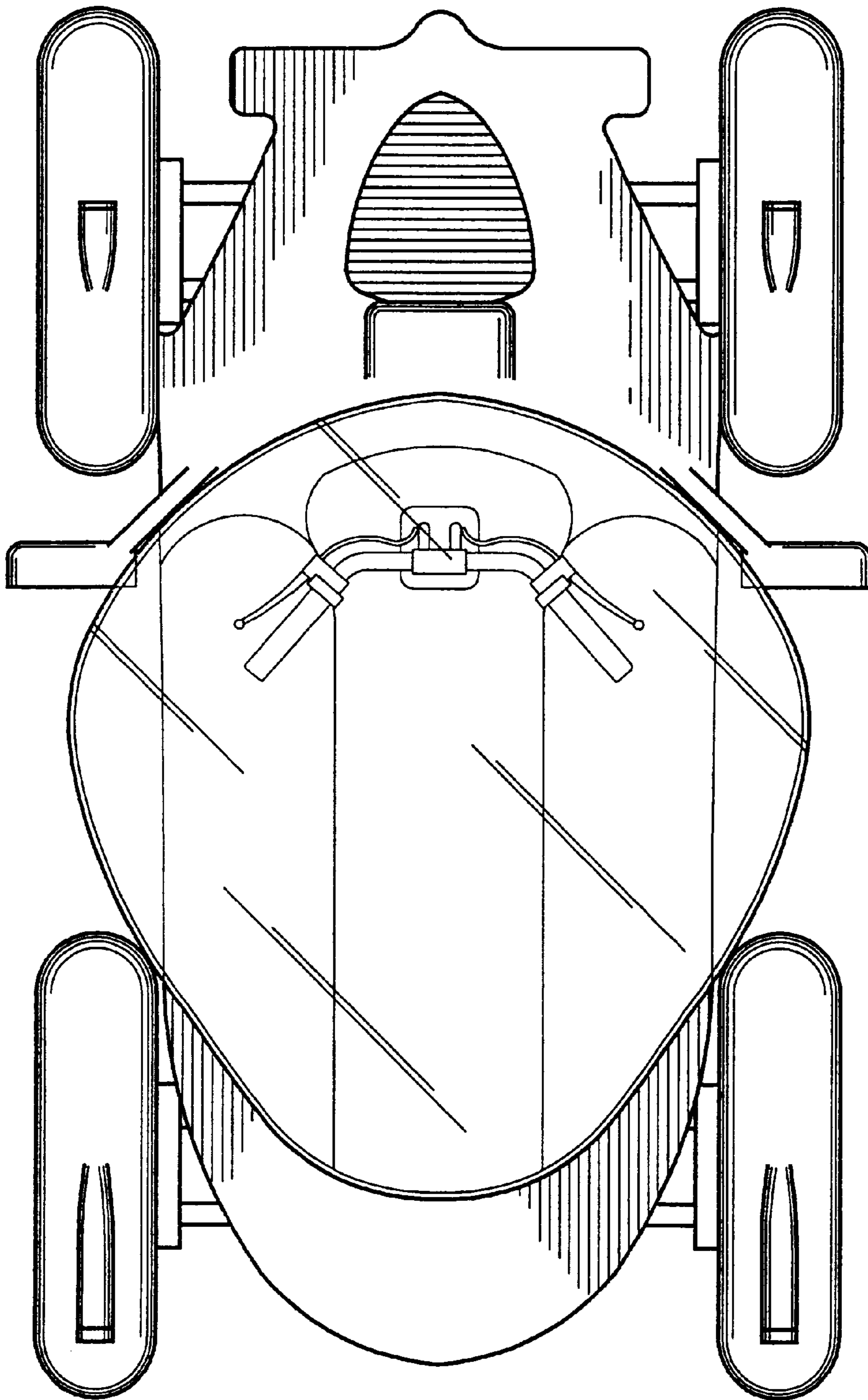


FIG. 4

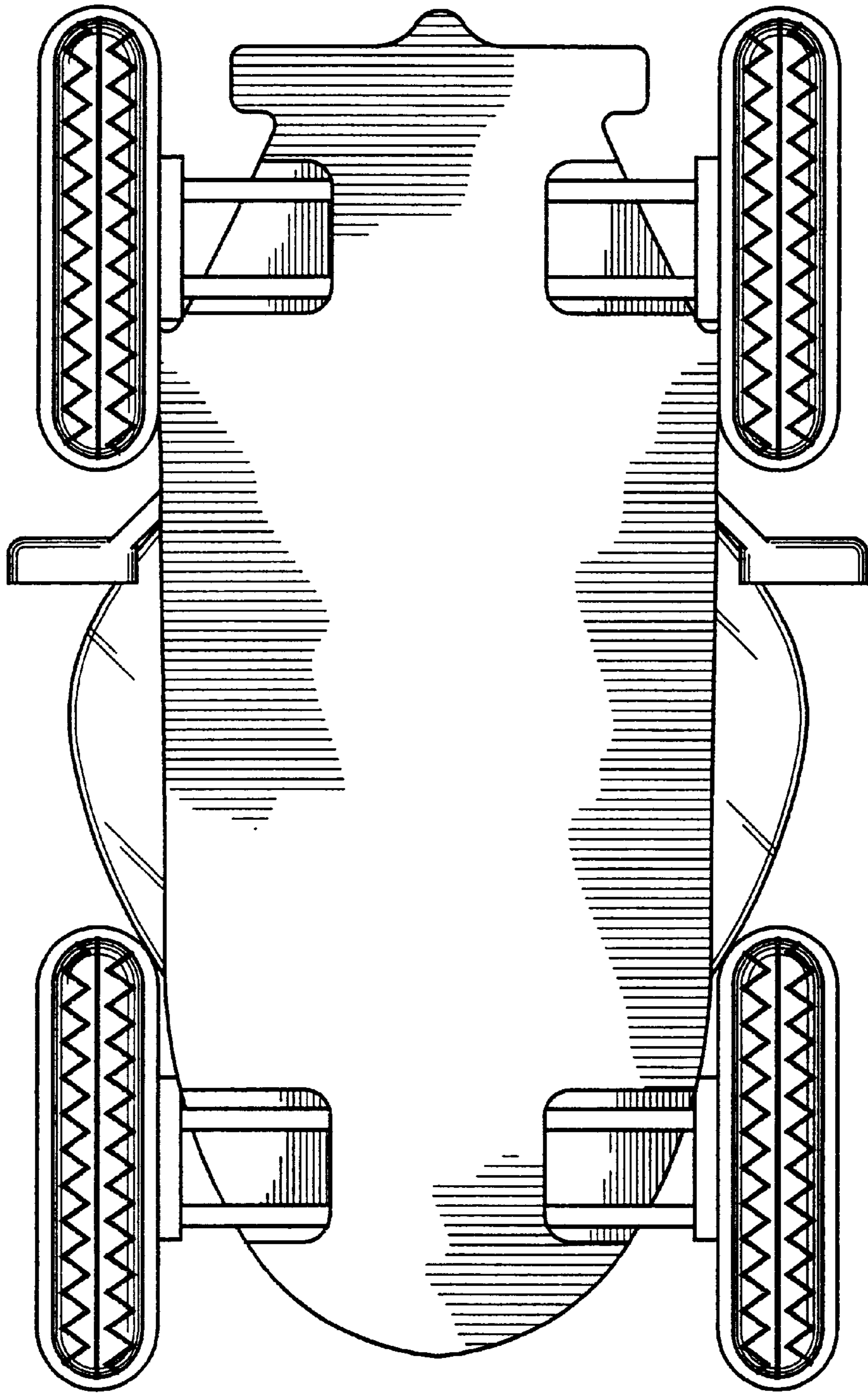


FIG. 5