



US00D435468S

United States Patent [19]

Jones

[11] **Patent Number: Des. 435,468**

[45] **Date of Patent: ** Dec. 26, 2000**

[54] **RADIUS INSPECTION HOLE COVER**

[76] Inventor: **Cory Alan Jones**, 612 Frankfort Dr.,
Hermitage, Tenn. 37076

[**] Term: **14 Years**

[21] Appl. No.: **29/110,442**

[22] Filed: **Sep. 7, 1999**

[51] **LOC (7) Cl.** **10-04**

[52] **U.S. Cl.** **D10/70; D10/46**

[58] **Field of Search** **D15/199; 33/609,**
33/610; 188/206 R, 1.11 R, 1.11 W, 2 R,
340

[56] **References Cited**

U.S. PATENT DOCUMENTS

5,799,754 9/1998 Kazuro et al. 188/1.11 W

OTHER PUBLICATIONS

Concours West Industries (C.W.I.); We've Got You Covered.; Advertisement; 1 page; published prior to Dec. 9, 1999; Castle Rock WA, U.S.A.

Concours West Industries (C.W.I.); Radical Rear Ends from C.W.I.; Magazine Advertisement; 1 page; published prior to Sep. 7, 1999; Castle Rock WA, U.S.A.

Primary Examiner—Antoine Duval Davis
Attorney, Agent, or Firm—David B. Pieper; Waddey & Patterson

[57] **CLAIM**

The ornamental design for a radius inspection hole cover, as shown and described.

DESCRIPTION

FIG. 1 is a top perspective view showing the radius inspection hole cover of Applicant's invention.

FIG. 2 is a front elevation of the radius inspection hole cover of Applicant's invention.

FIG. 3 is a left side elevation of the radius inspection hole cover of Applicant's invention, both sides being identical.

FIG. 4 is a back elevation of the radius inspection hole cover of Applicant's invention.

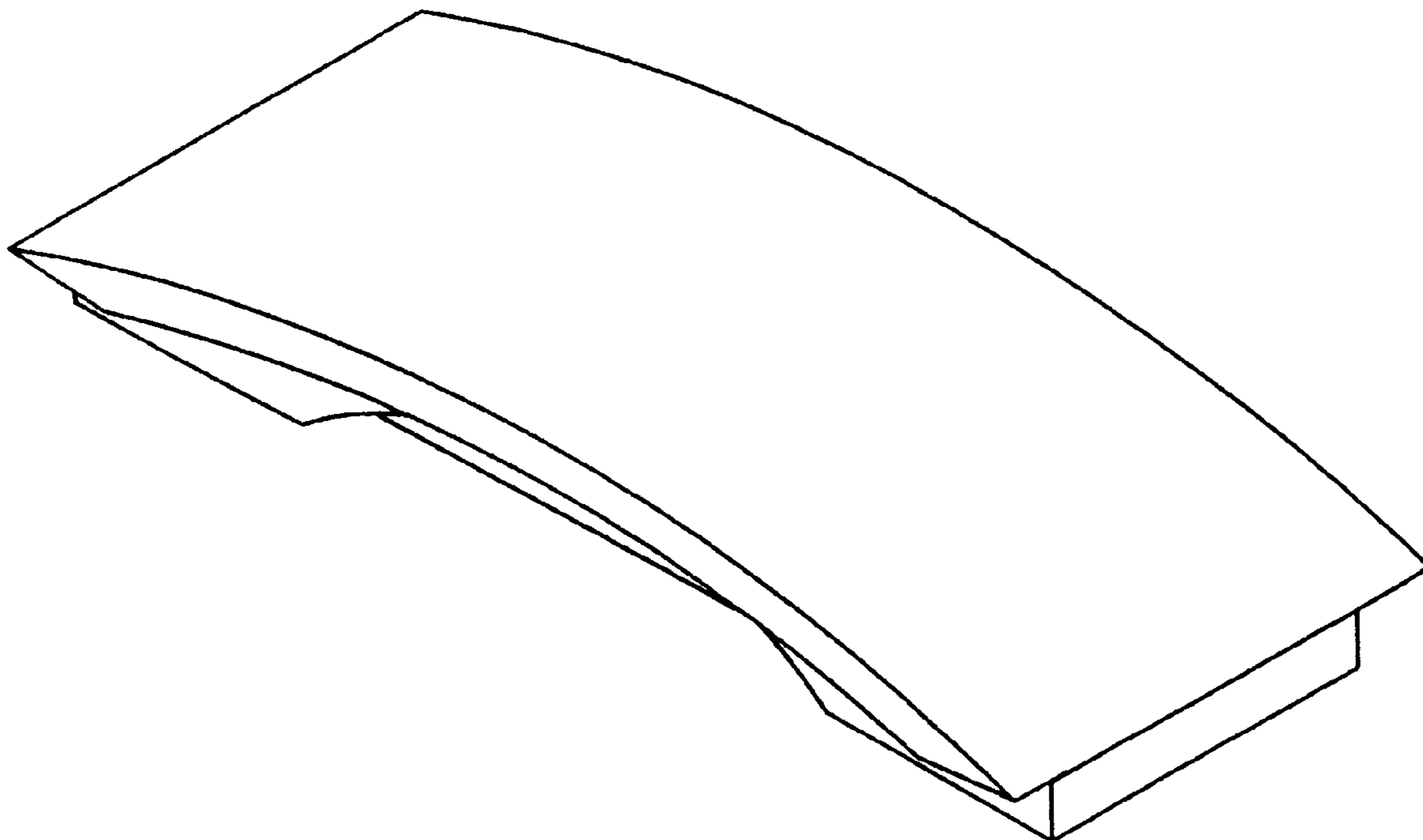
FIG. 5 is a right side elevation of the radius inspection hole cover of Applicant's invention, both sides being identical.

FIG. 6 is a bottom view of the radius inspection hole cover of Applicant's invention.

FIG. 7 is a top view of the radius inspection hole cover of Applicant's invention; and,

FIG. 8 is a bottom perspective view showing the radius inspection hole cover of Applicant's invention.

1 Claim, 5 Drawing Sheets



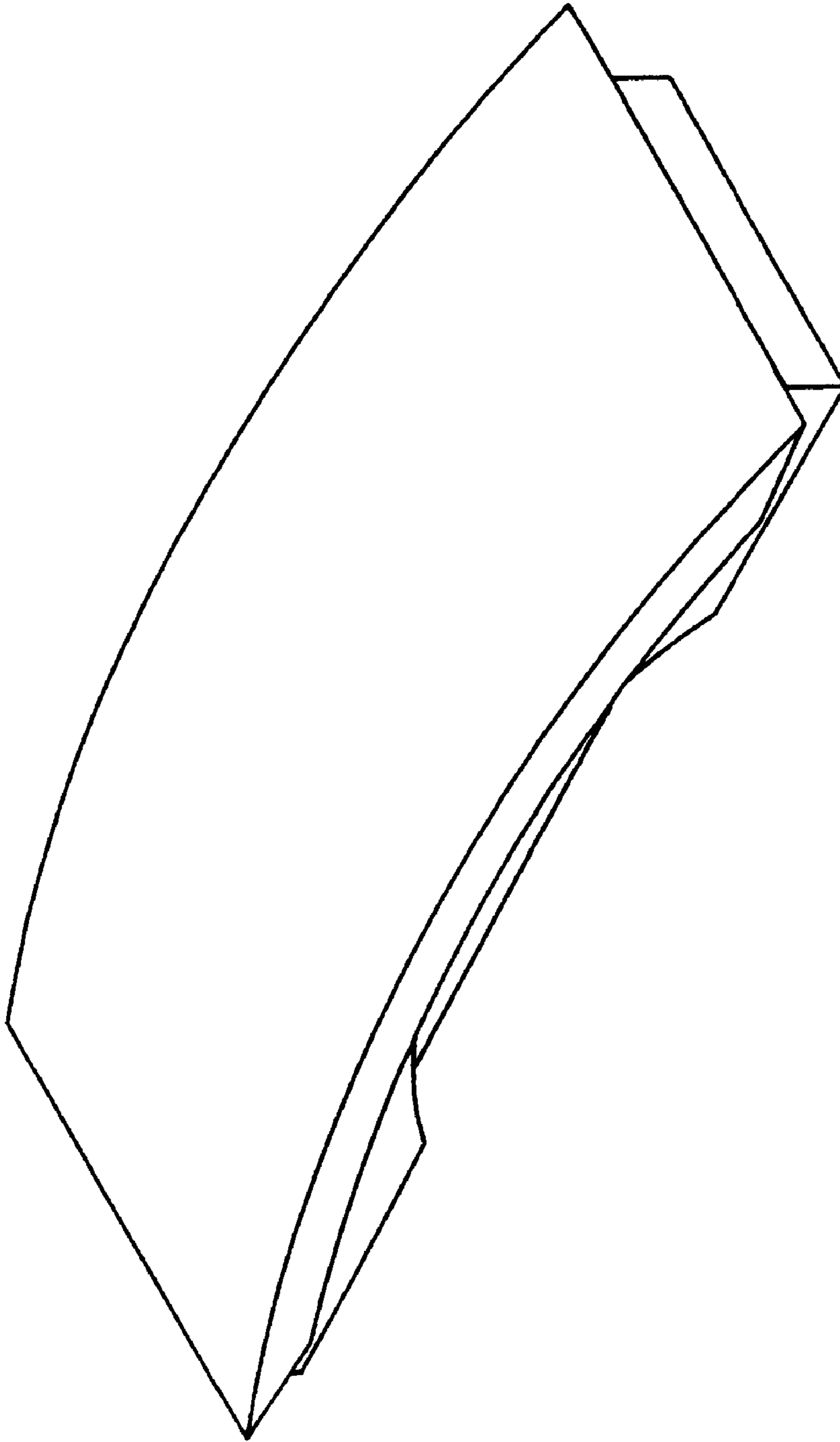


Figure 1

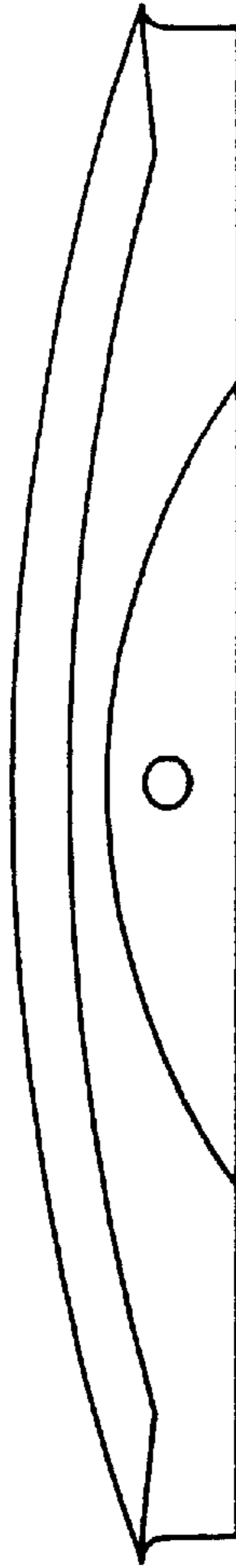


Figure 3

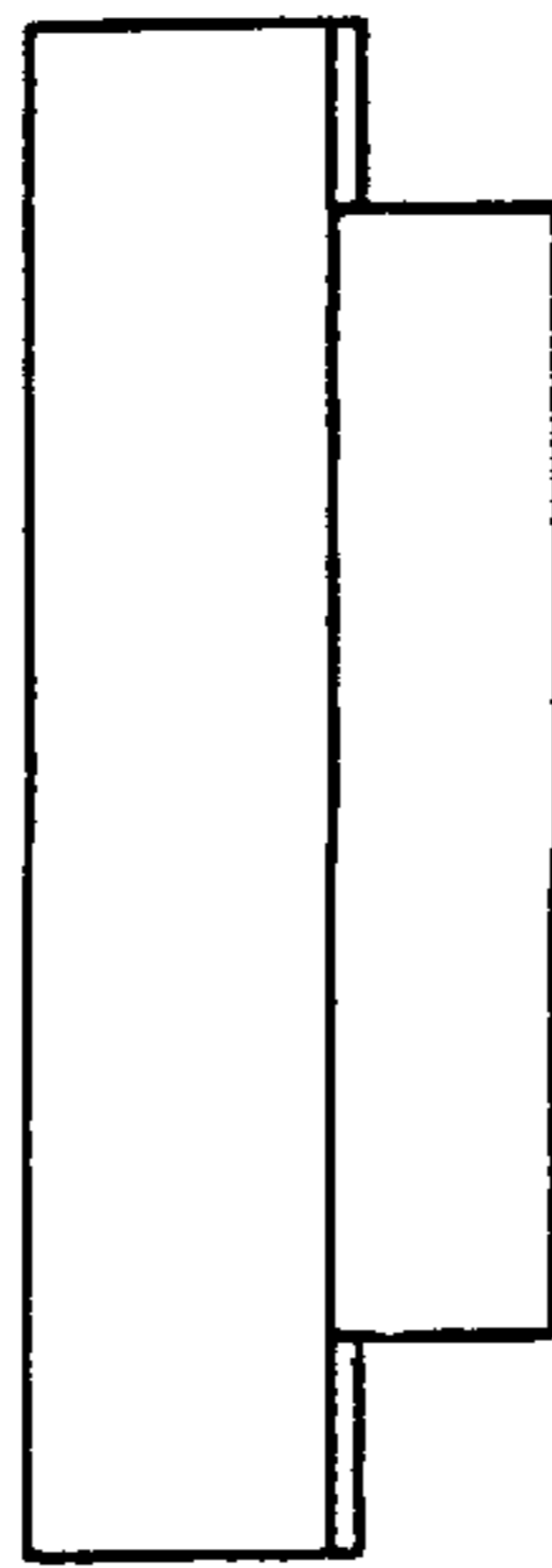


Figure 2

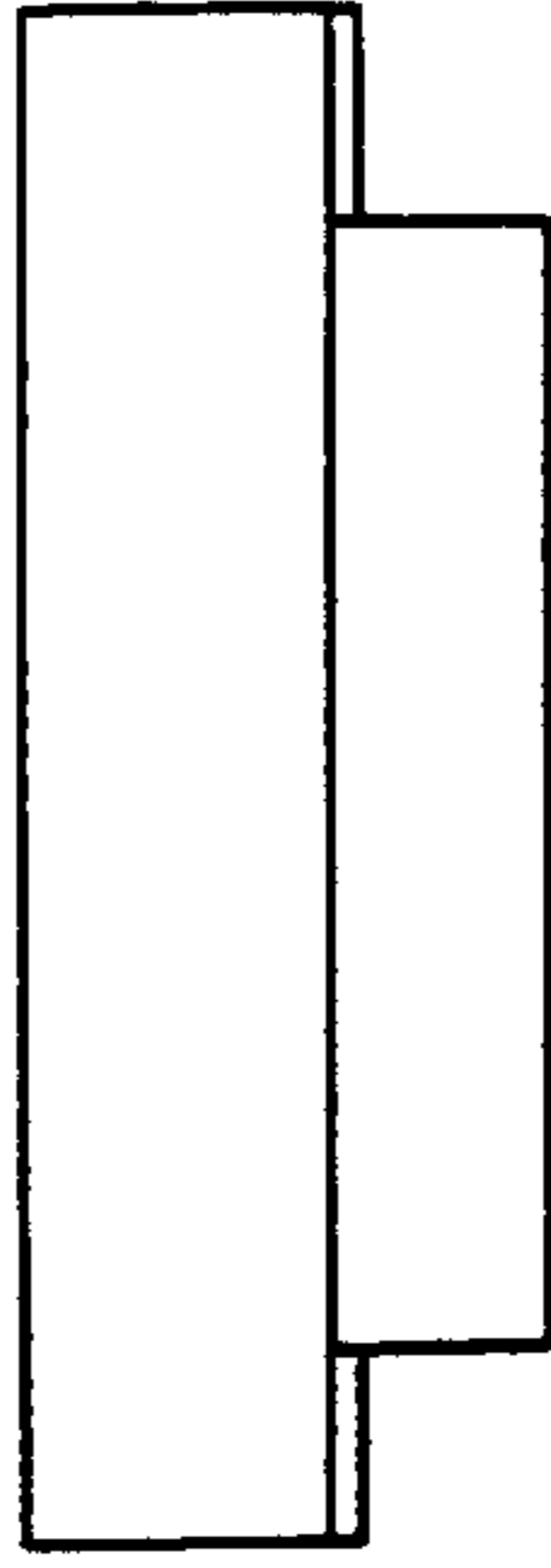


Figure 4

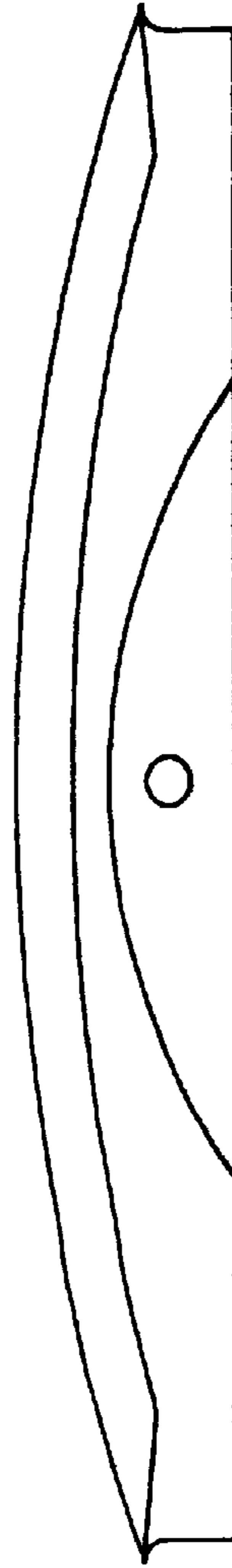


Figure 5

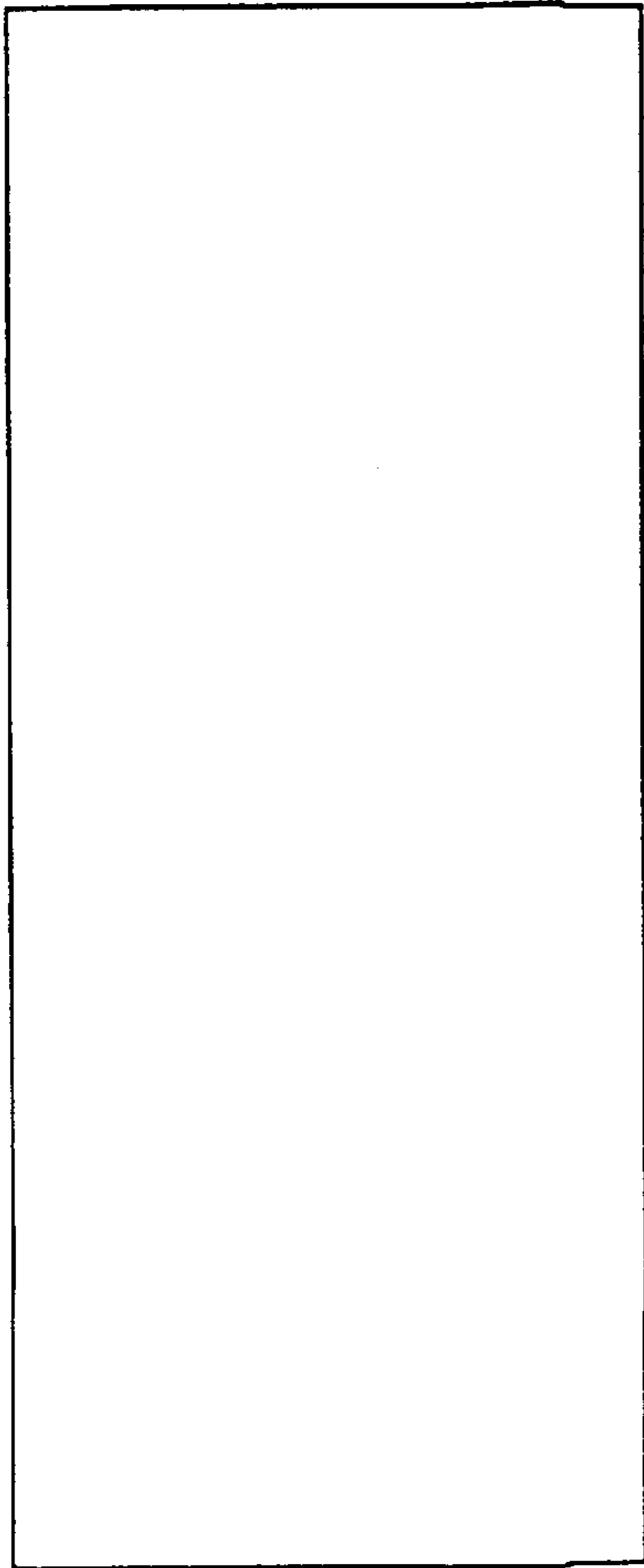


Figure 7

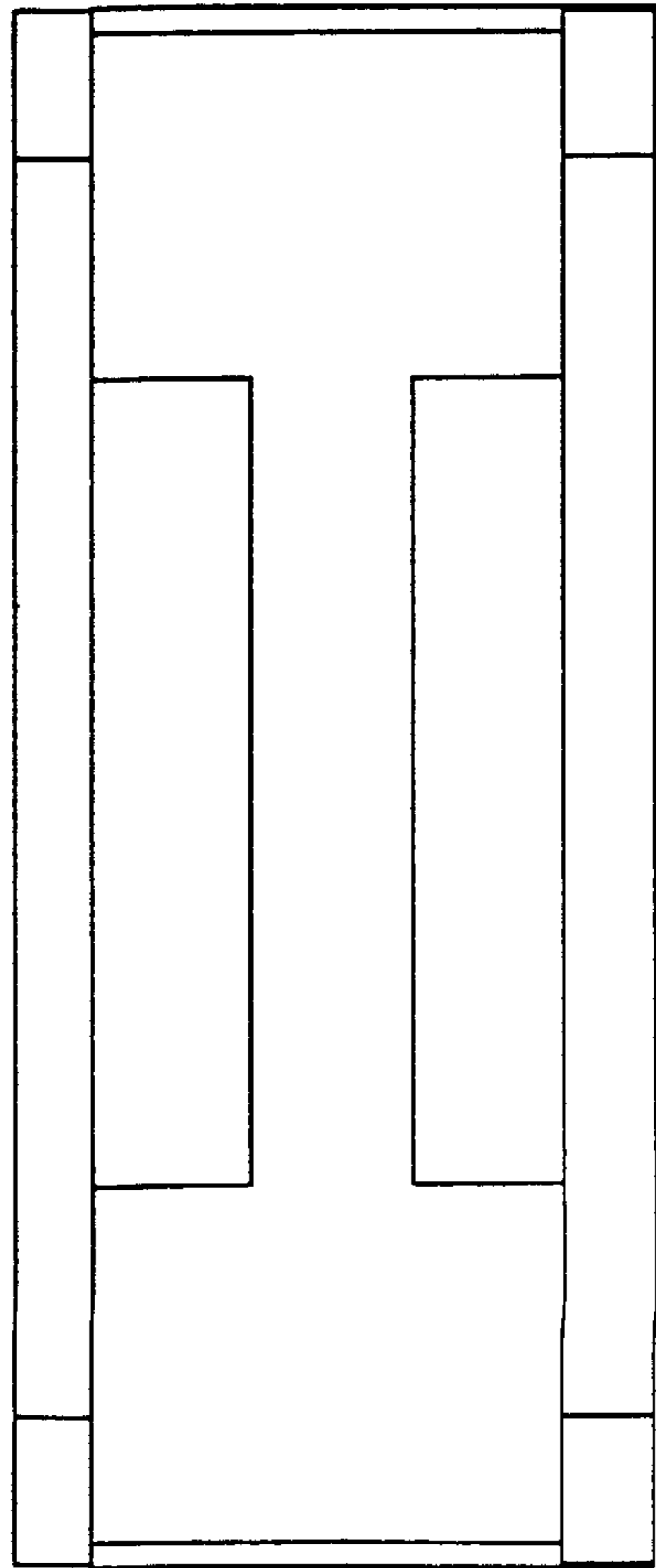


Figure 6

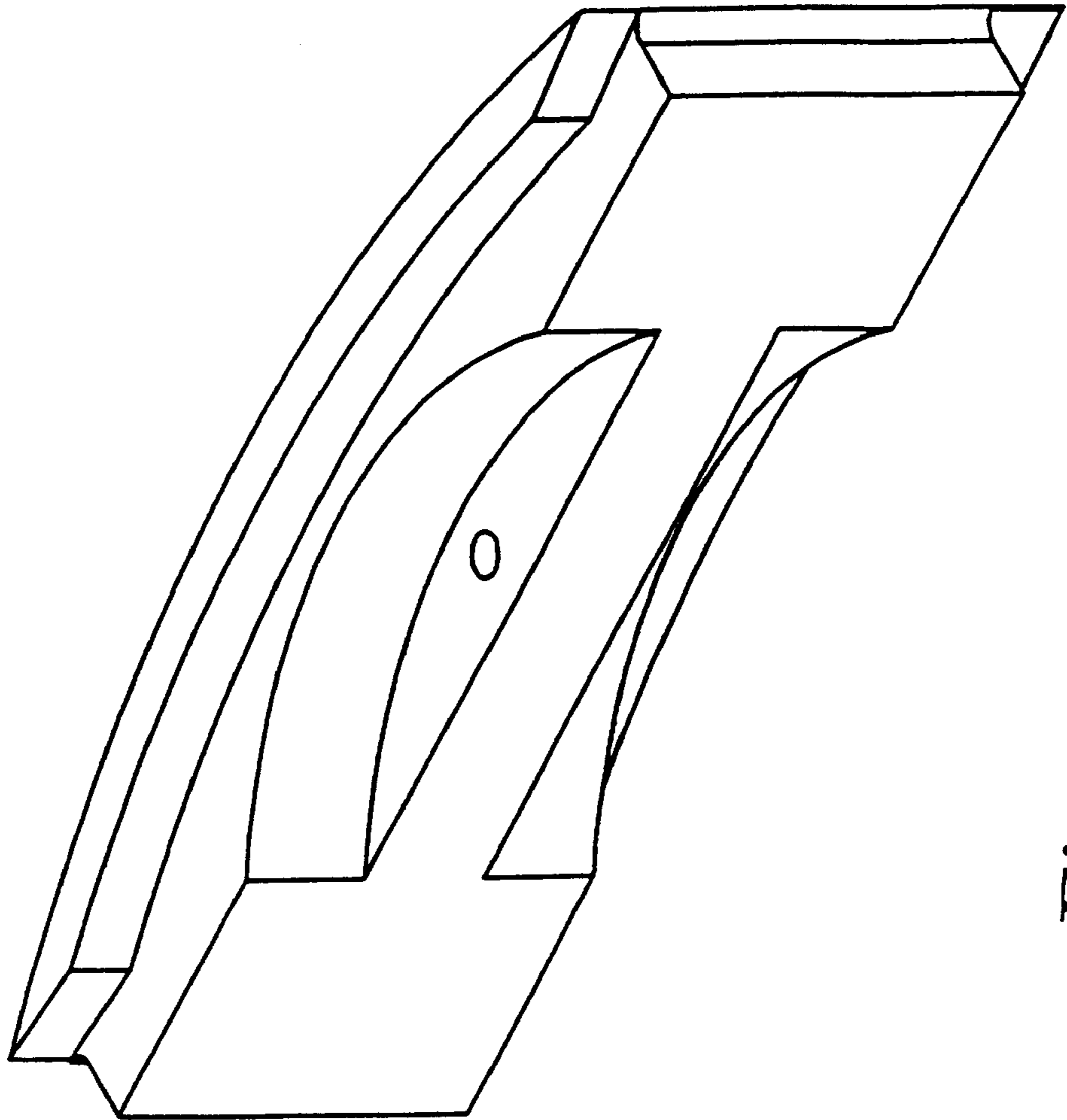


Figure 8