



US00D435467S

United States Patent [19]
Batchelder

[11] **Patent Number: Des. 435,467**

[45] **Date of Patent: ** Dec. 26, 2000**

[54] **DIRECTIONAL COMPASS**

[75] Inventor: **Scott K. Batchelder**, Newbury, Mass.

[73] Assignee: **Rule Industries, Inc.**, Gloucester, Mass.

[**] Term: **14 Years**

[21] Appl. No.: **29/118,093**

[22] Filed: **Feb. 4, 2000**

[51] **LOC (7) Cl.** **10-04**

[52] **U.S. Cl.** **D10/68**

[58] **Field of Search** D10/68; 33/348,
33/355 D, 355 R, 361, 365

[56] **References Cited**

U.S. PATENT DOCUMENTS

- D. 427,531 7/2000 Hartmann et al. D10/68
- D. 427,532 7/2000 Hartmann et al. D10/68

Primary Examiner—Antoine Duval Davis
Attorney, Agent, or Firm—Dickstein Shapiro Morin & Oshinsky LLP

[57] **CLAIM**

The ornamental design for a directional compass, as shown and described.

DESCRIPTION

FIG. 1 is a side view showing my new design for a directional compass; A second side view is identical and has been omitted;
FIG. 2 is a front view of the directional compass of FIG. 1;
FIG. 3 is a bottom view of the directional compass of FIG. 1;
FIG. 4 is a top view of the directional compass of FIG. 1; and,
FIG. 5 is a back view of the directional compass of FIG. 1. The broken line showing is for illustrative purposes only and forms no part of the claimed design.

1 Claim, 2 Drawing Sheets

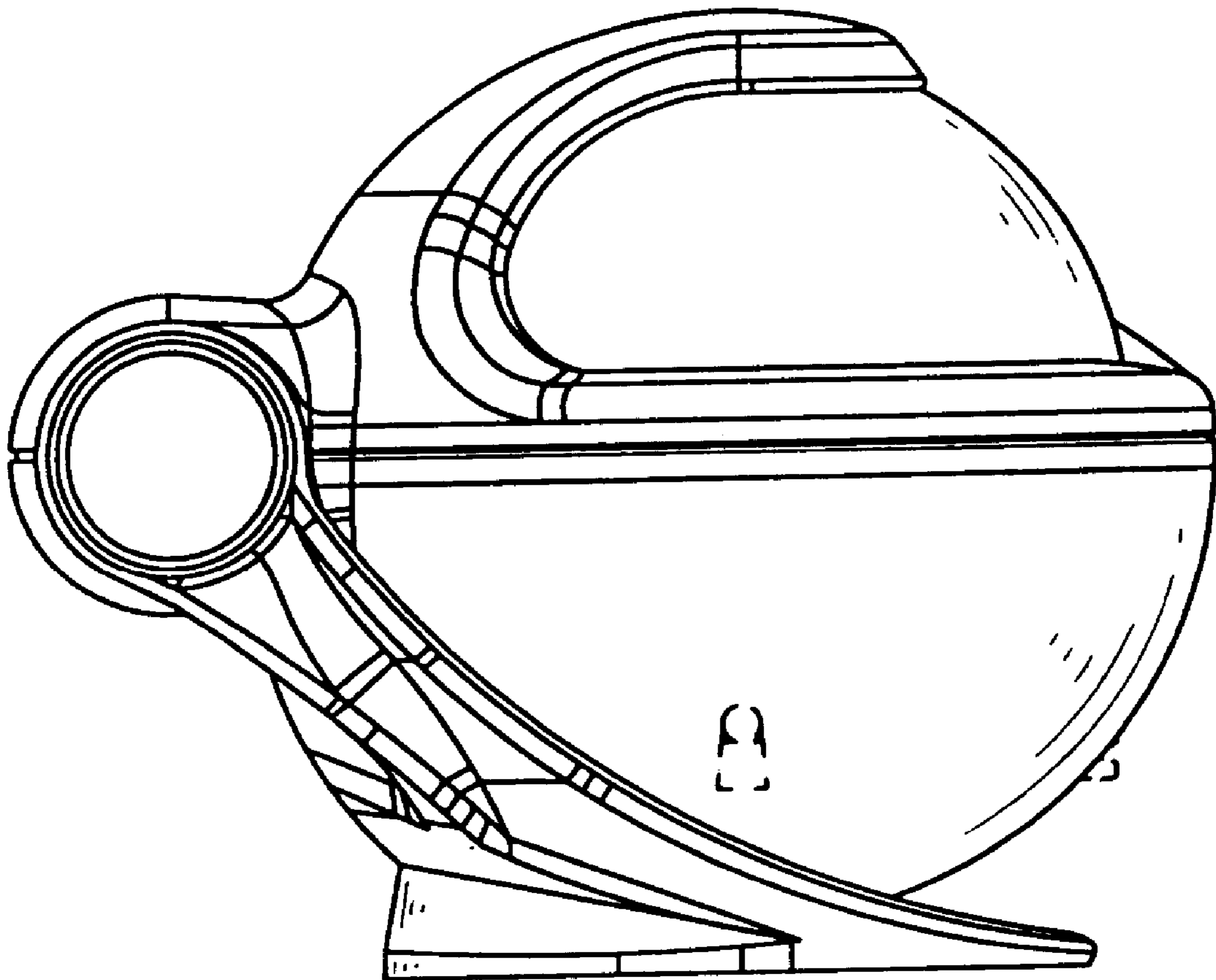


Fig. 1

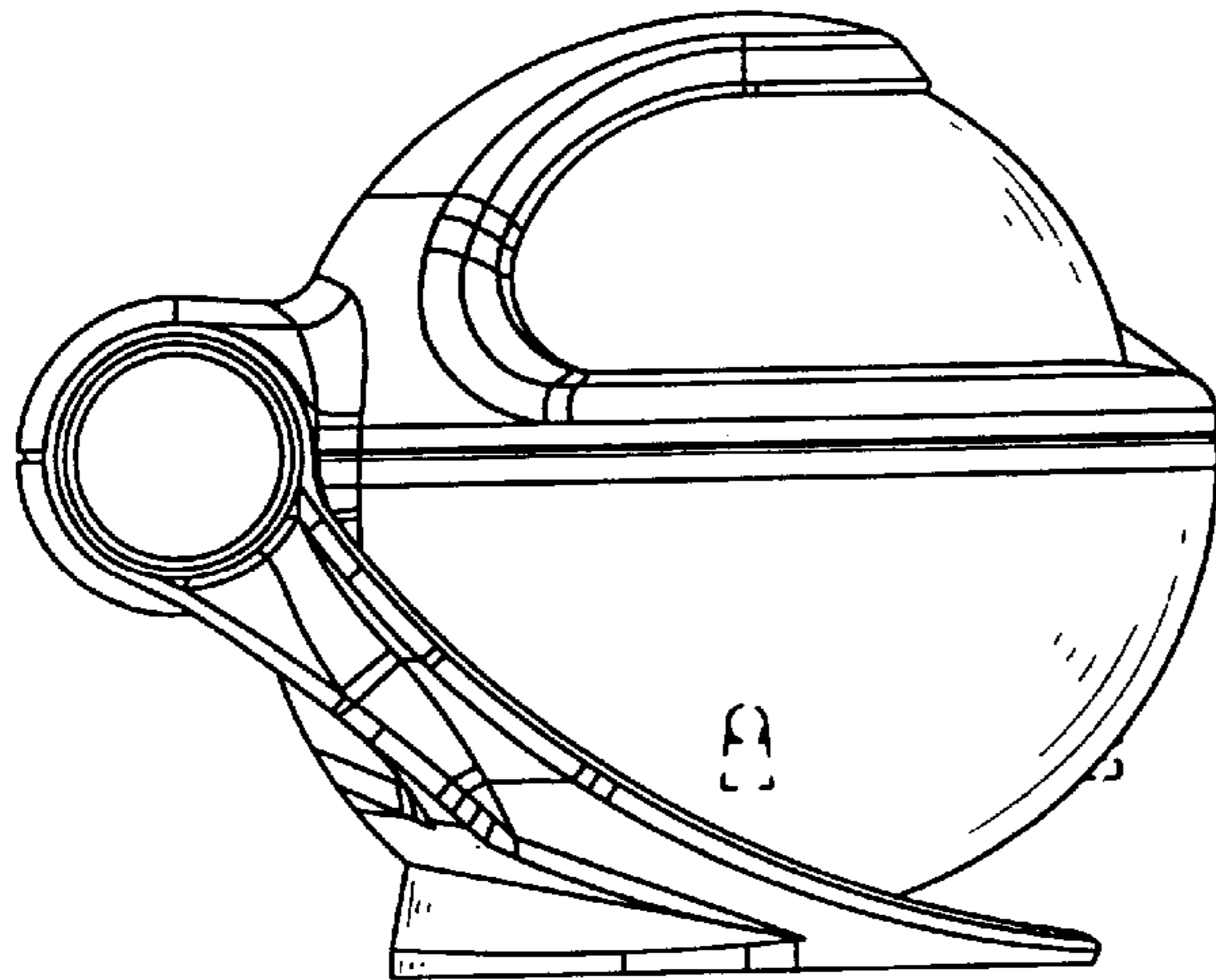


Fig. 2

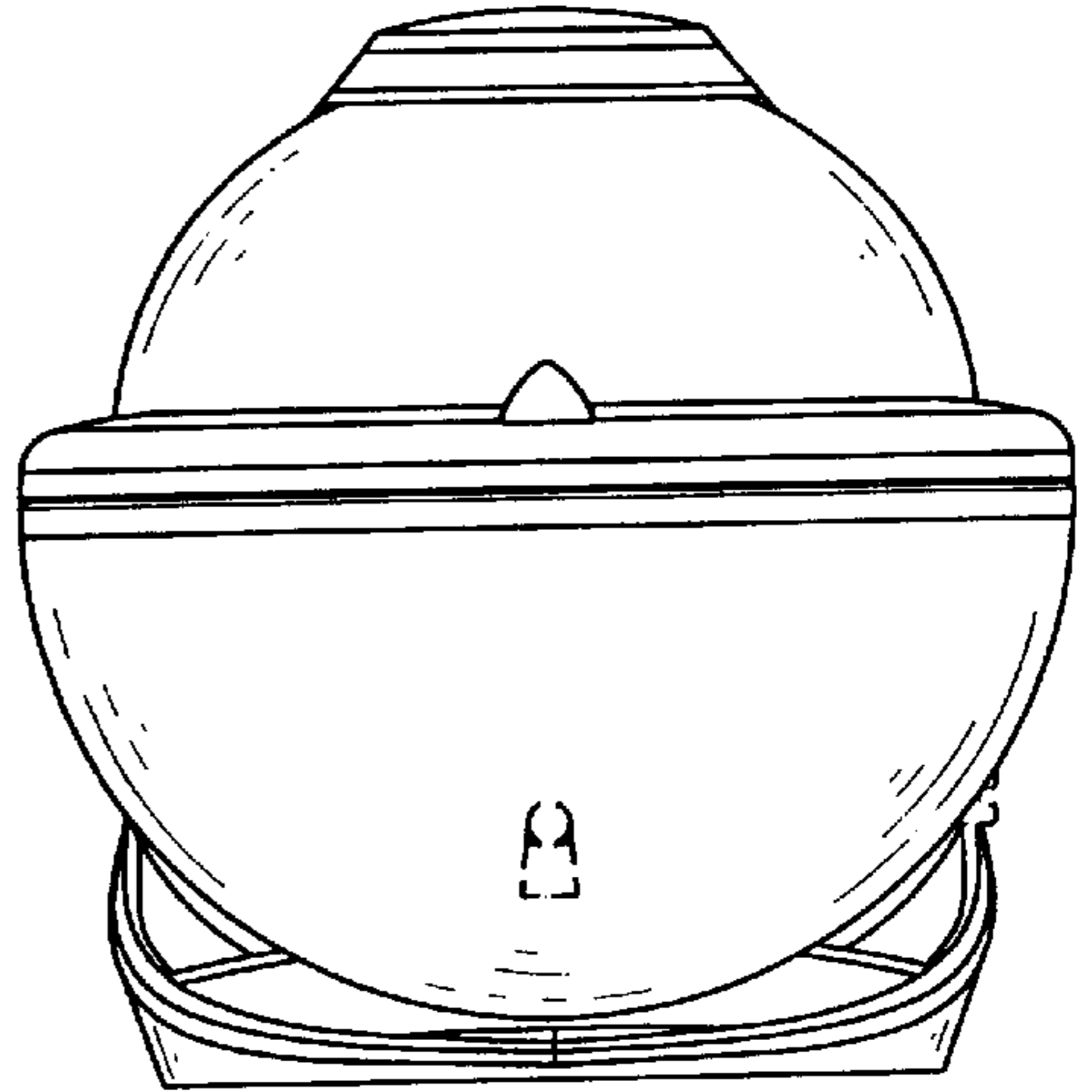


Fig. 3

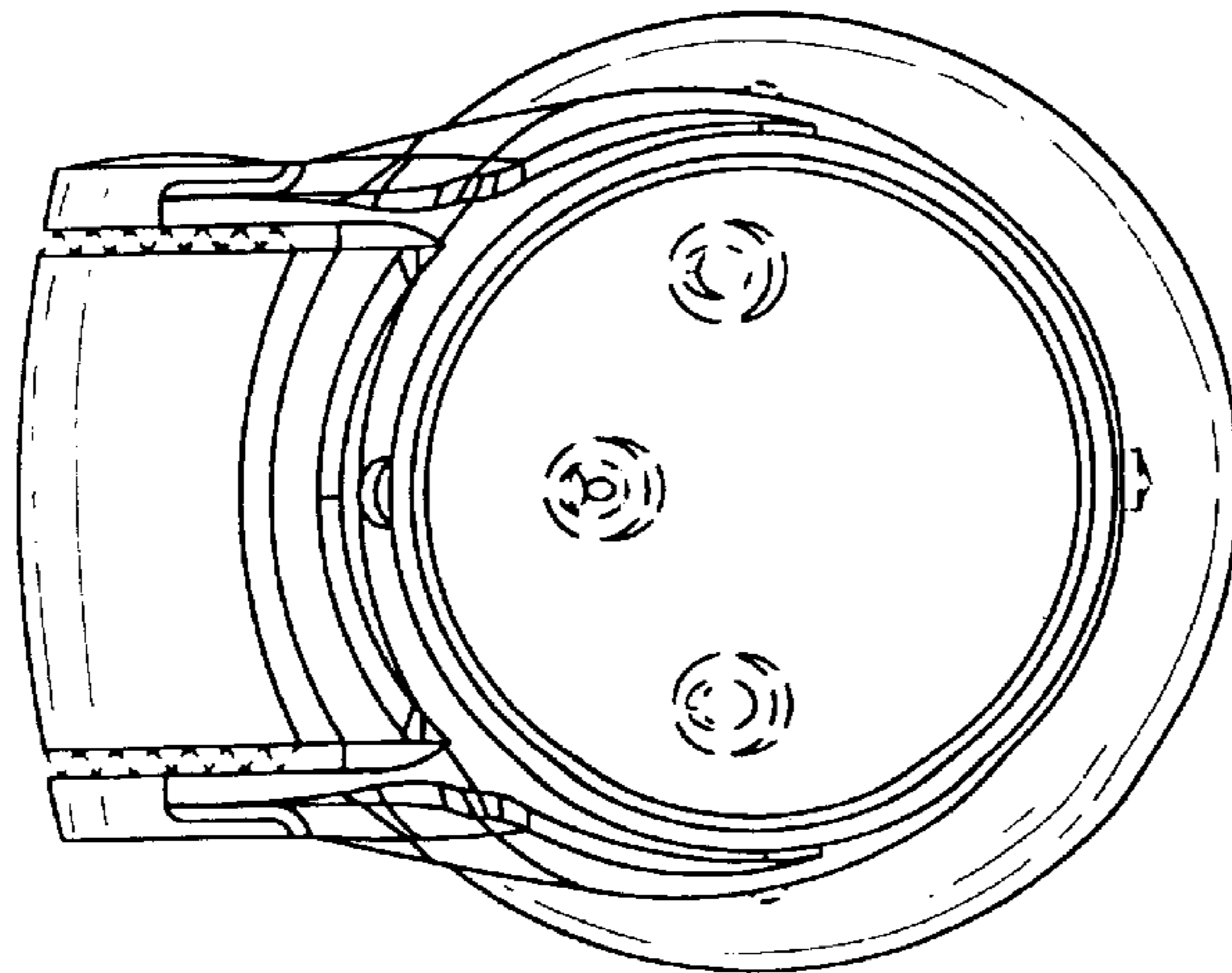


Fig. 4

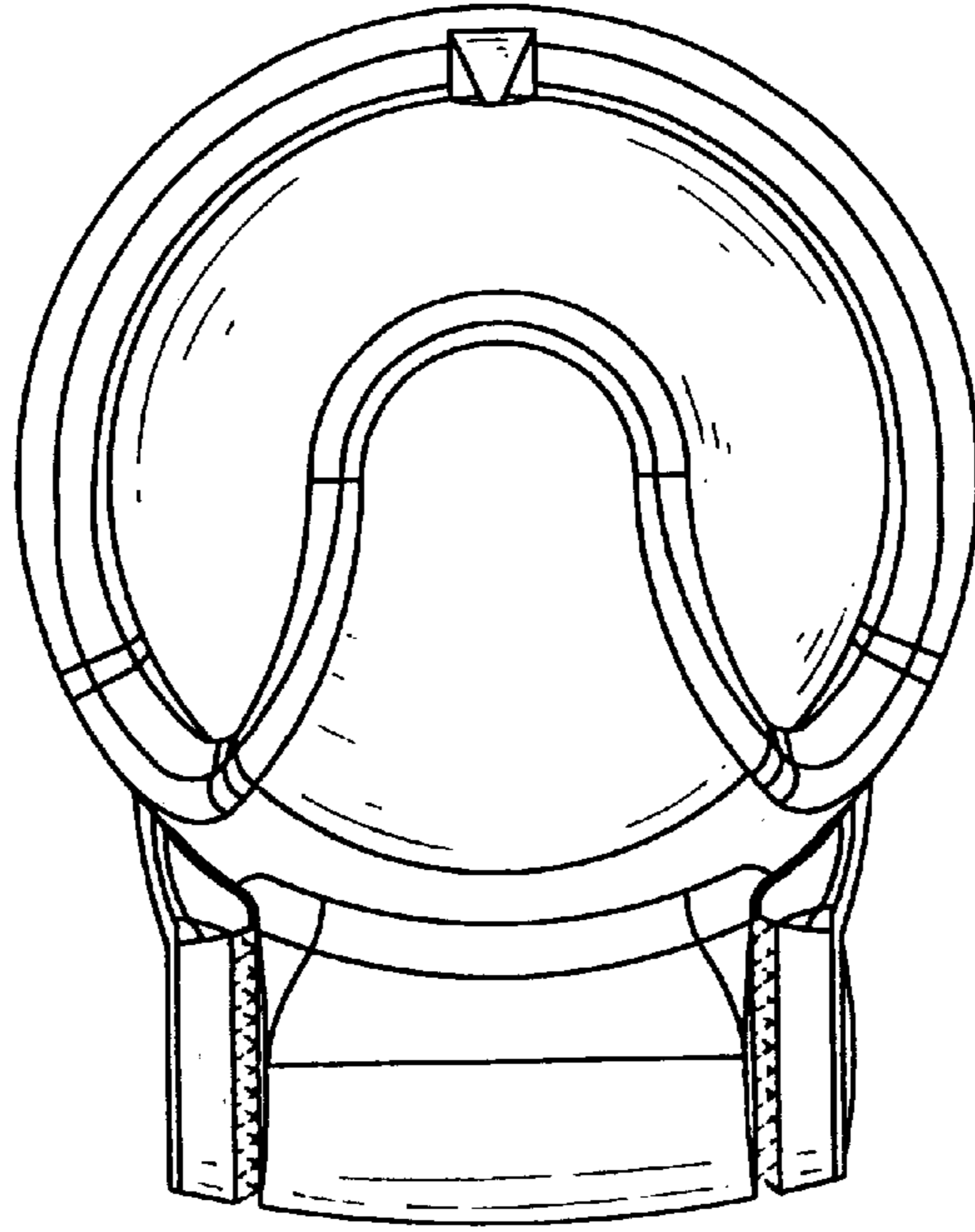


Fig. 5

