



US00D435466S

United States Patent [19]

[11] Patent Number: Des. 435,466

Yusa

[45] Date of Patent: ** Dec. 26, 2000

[54] MAP COMPASS WITH A THERMOMETER

Attorney, Agent, or Firm—Koda & Androlia

[75] Inventor: Toshikazu Yusa, Tokyo, Japan

[57] CLAIM

[73] Assignee: Tokyo Compass Mfg. Co., Ltd., Tokyo, Japan

The ornamental design for a map compass with a thermometer, as shown and described.

[**] Term: 14 Years

DESCRIPTION

[21] Appl. No.: 29/116,522

FIG. 1 is a front elevational view of the first embodiment of the map compass with a thermometer showing my new design;

[22] Filed: Jan. 4, 2000

FIG. 2 is a top plan view thereof;

[51] LOC (7) Cl. 10-04

FIG. 3 is a bottom plan view thereof;

[52] U.S. Cl. D10/68

FIG. 4 is a rear elevational view thereof;

[58] Field of Search D10/61, 62, 68;
33/268, 271-273, 355 R-364

FIG. 5 is a left side elevational view thereof;

FIG. 6 is a right side elevational view thereof;

FIG. 7 is a front elevational view of the second embodiment of the map compass with a thermometer;

FIG. 8 is a rear elevational view thereof;

FIG. 9 is a left side elevational view thereof;

FIG. 10 is a right side elevational view thereof;

FIG. 11 is a bottom plan view thereof; and,

FIG. 12 is a top plan view thereof.

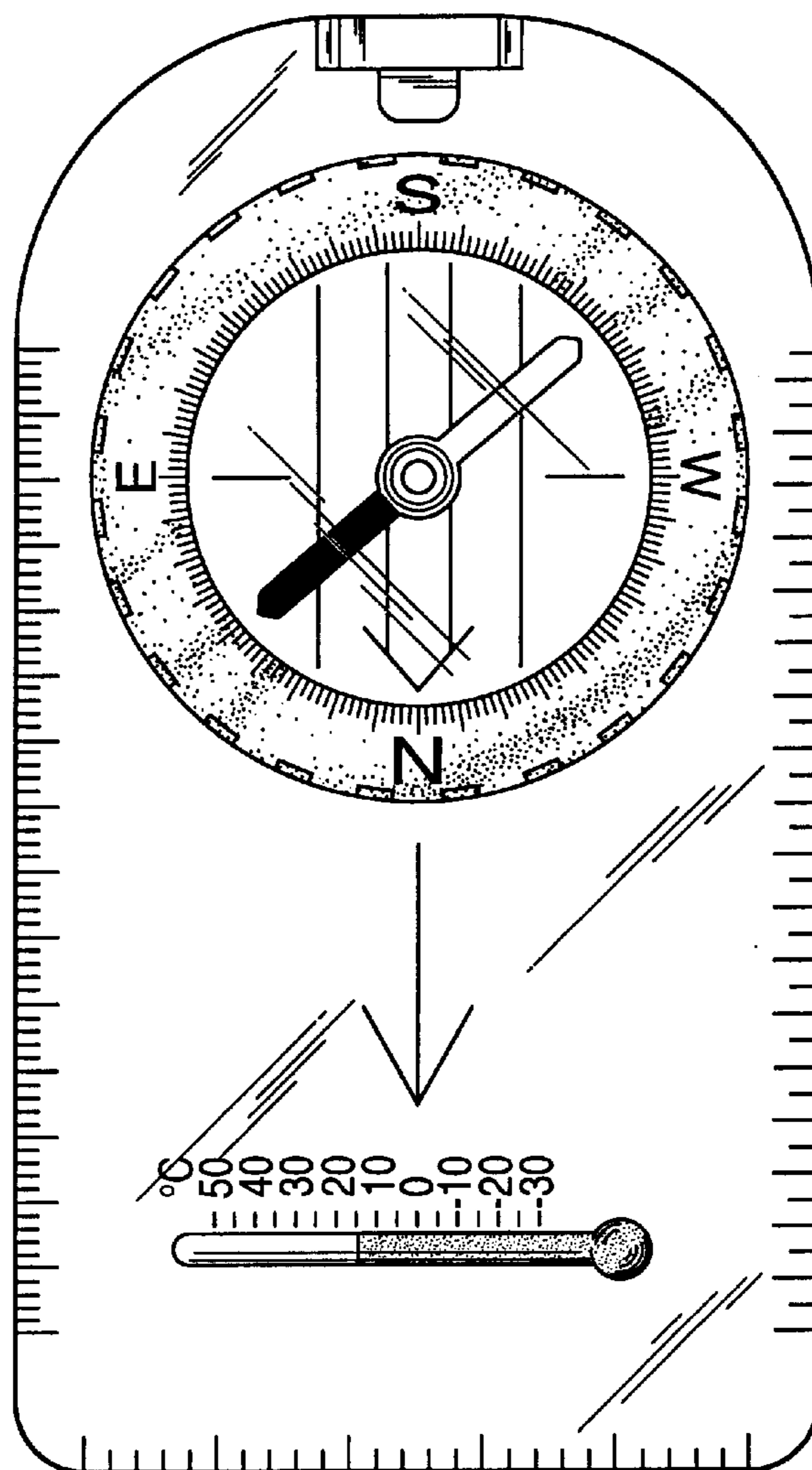
[56] References Cited

U.S. PATENT DOCUMENTS

D. 378,359	3/1997	Stoneberg	D10/68
D. 401,168	11/1998	Wallberg	D10/68
4,438,568	3/1984	Kramer et al.	33/355 R

Primary Examiner—Antoine Duval Davis

1 Claim, 6 Drawing Sheets



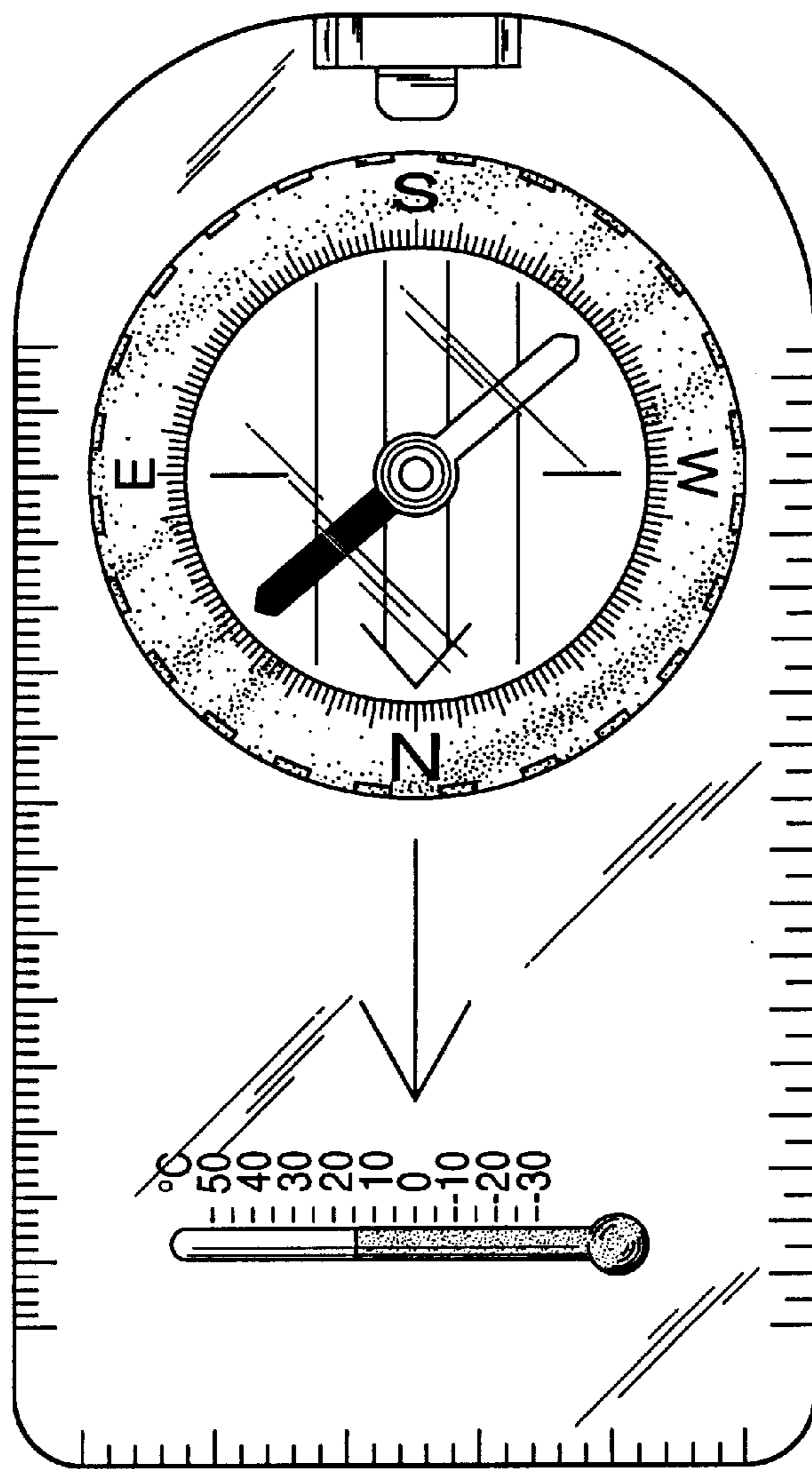


FIG. 1

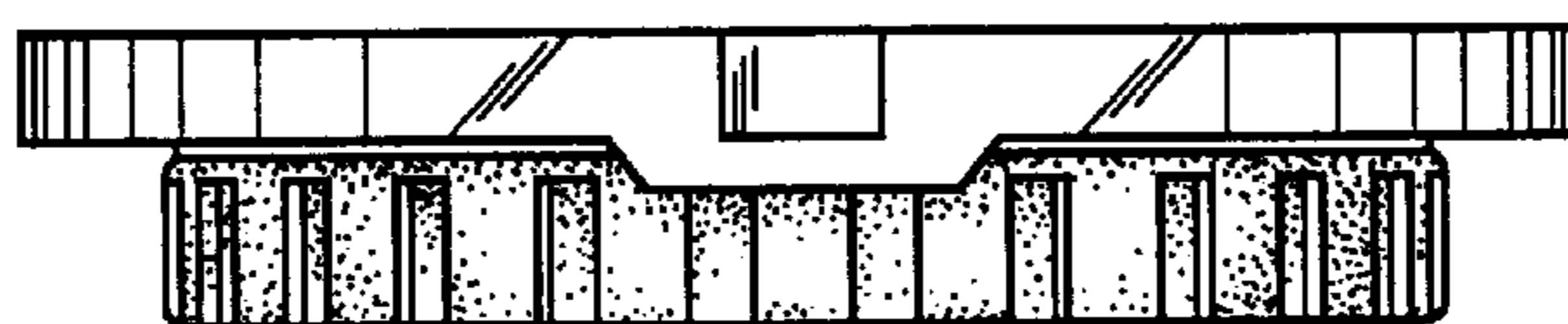


FIG. 2

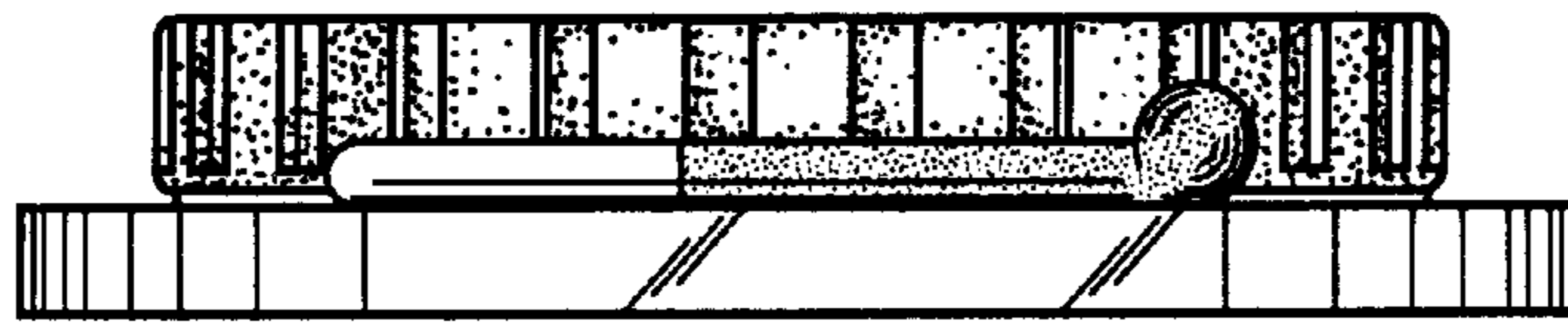


FIG. 3

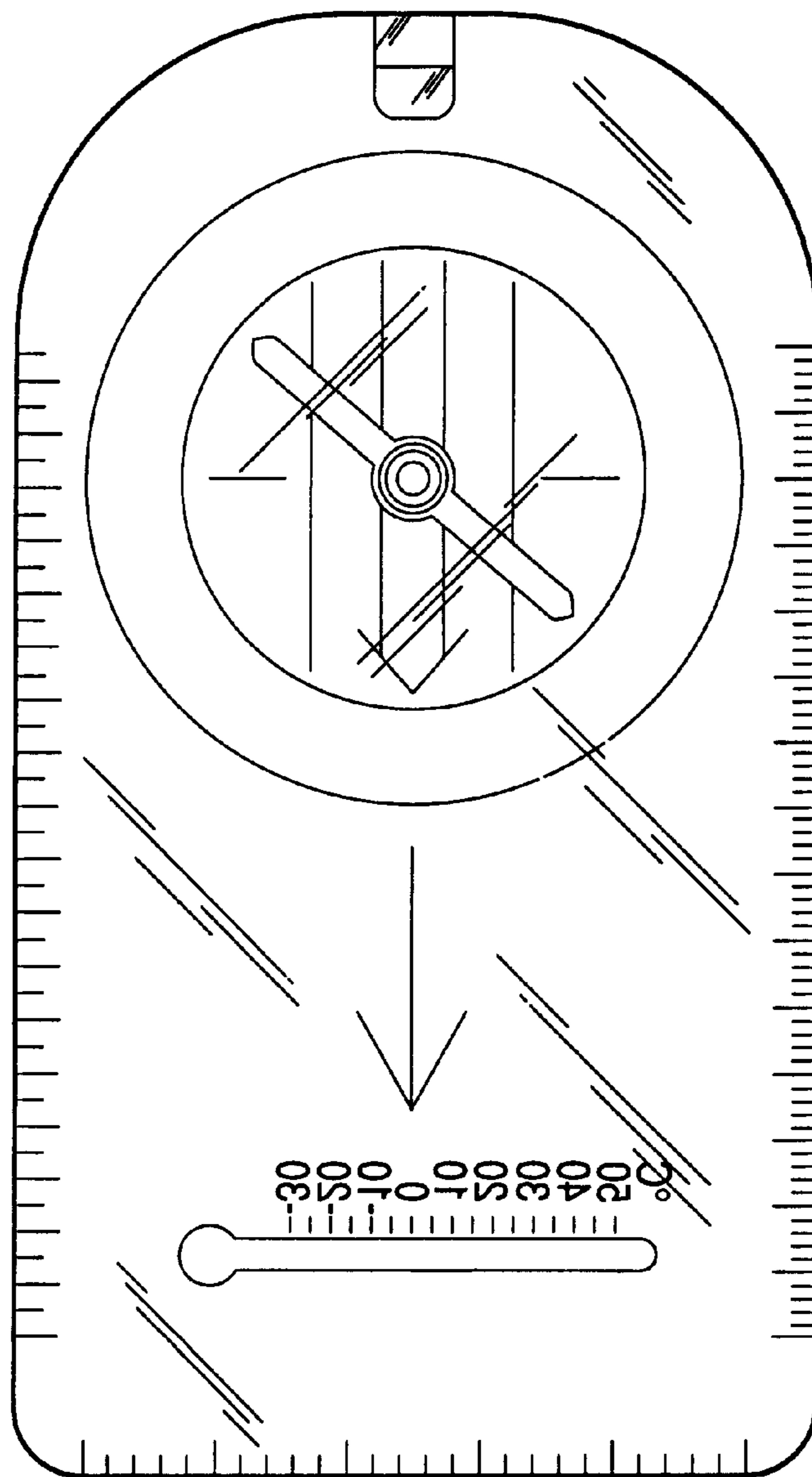


FIG. 4

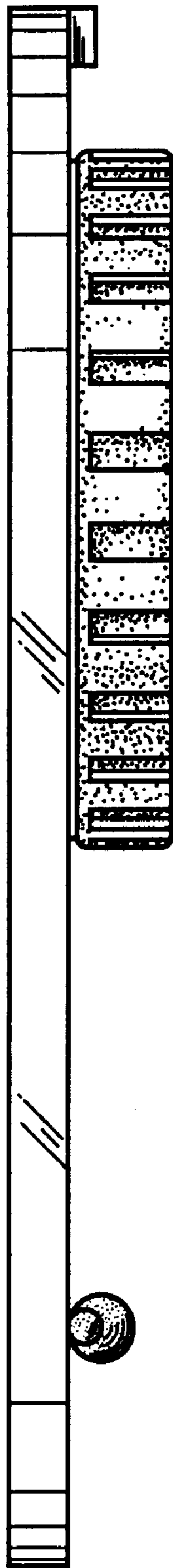


FIG. 5

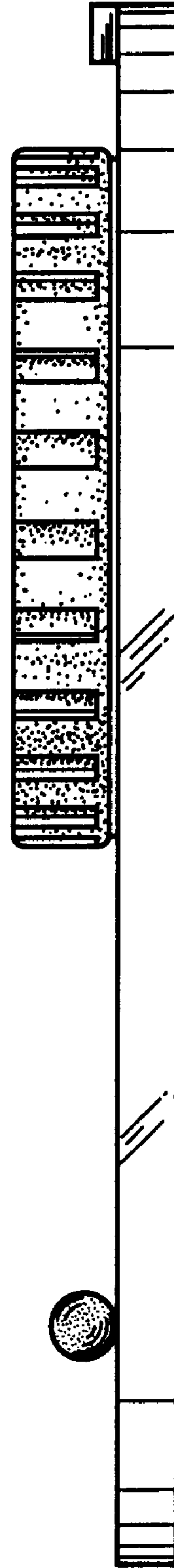


FIG. 6

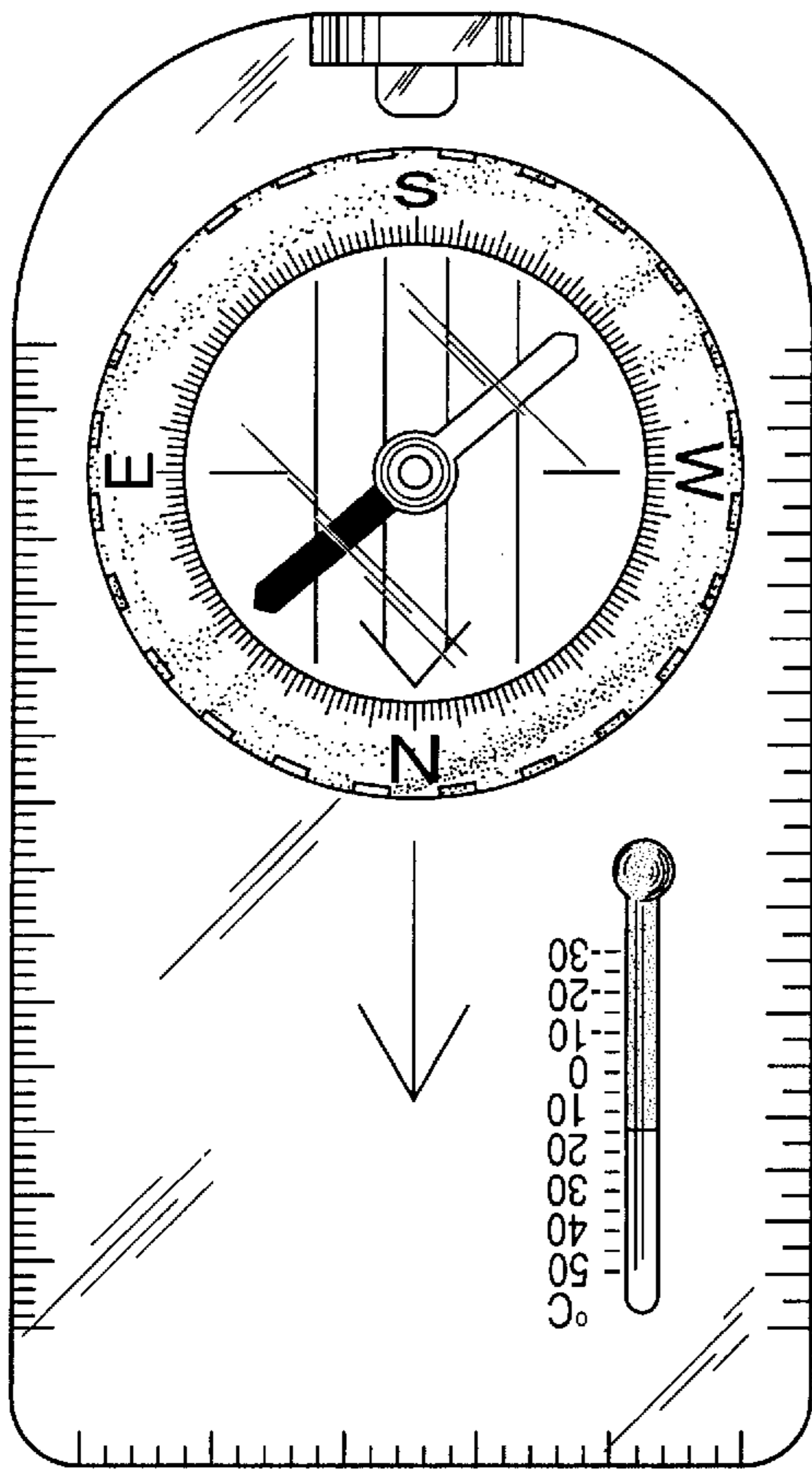


FIG. 7

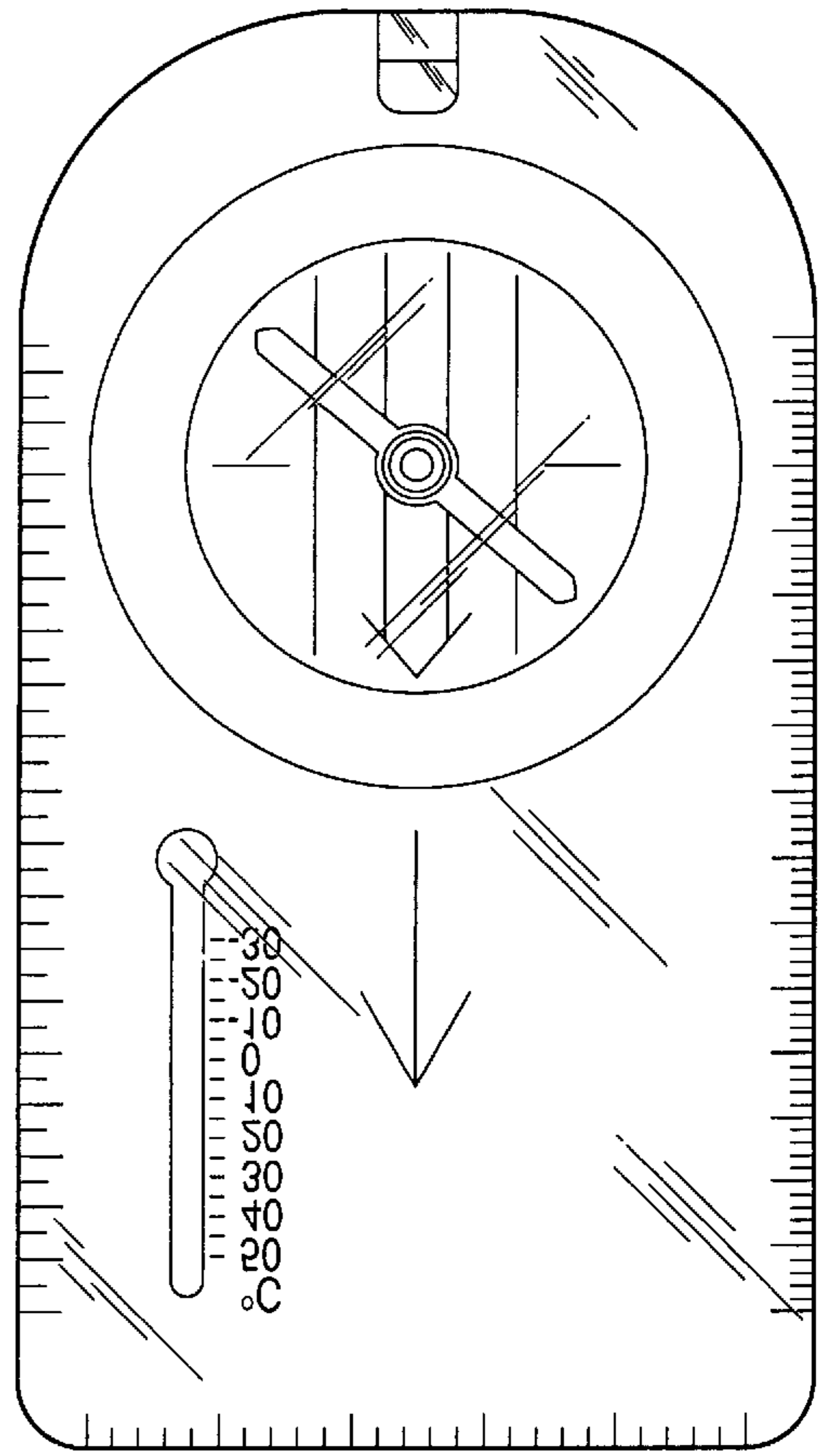


FIG. 8

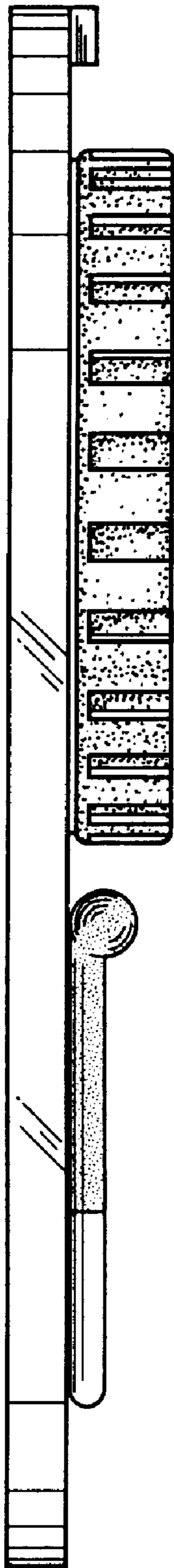


FIG. 9

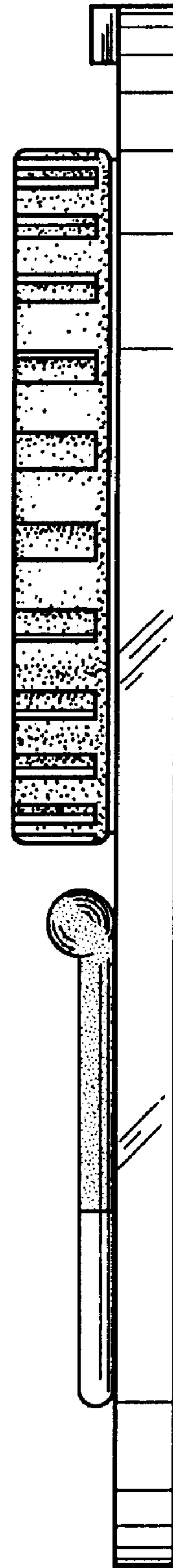


FIG. 10

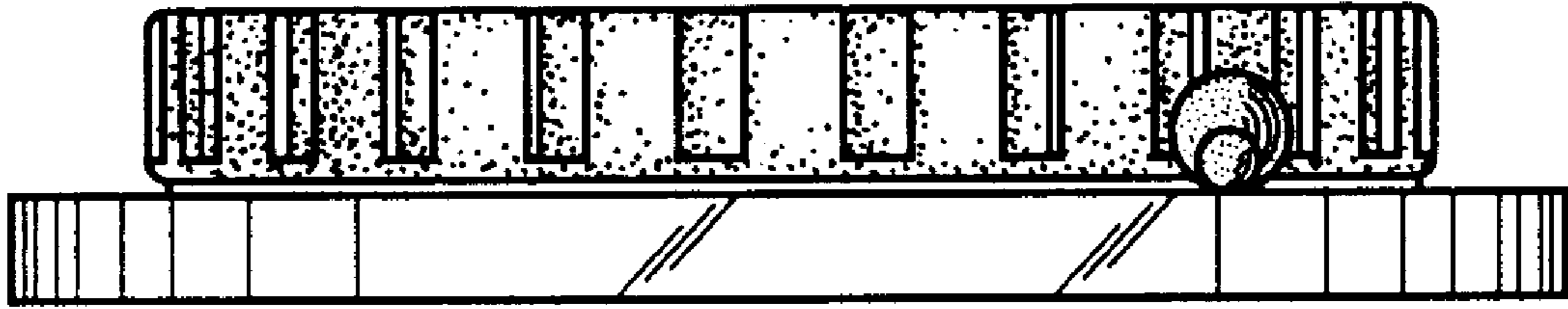


FIG. 11

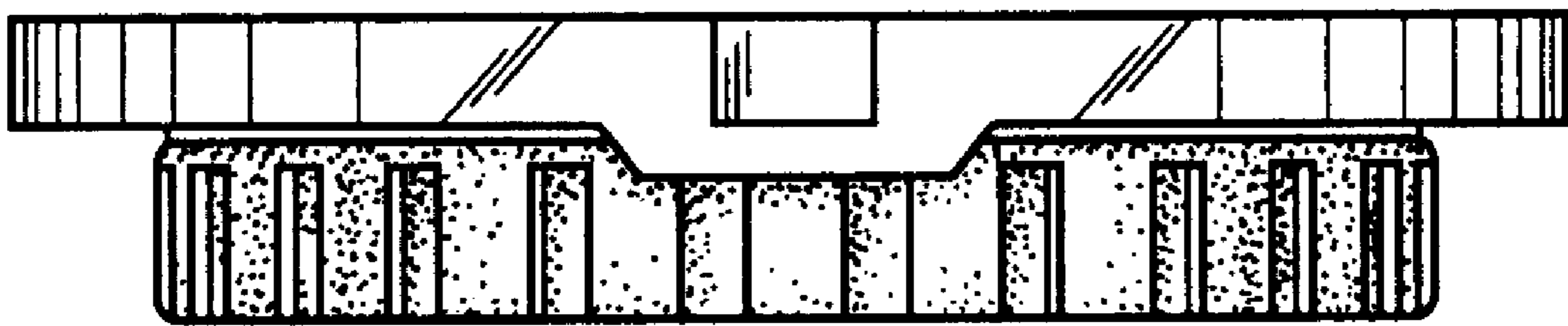


FIG. 12