



US00D435465S

United States Patent [19]

[11] **Patent Number: Des. 435,465**

Yusa

[45] **Date of Patent: ** Dec. 26, 2000**

[54] **DIVIDER COMPASS**

*Primary Examiner—Antoine Duval Davis
Attorney, Agent, or Firm—Koda & Androlia*

[75] Inventor: **Toshikazu Yusa**, Tokyo, Japan

[57] **CLAIM**

[73] Assignee: **Tokyo Compass Mfg. Co., Ltd.**,
Tokyo, Japan

The ornamental design for a divider compass, as shown and described.

[**] Term: **14 Years**

DESCRIPTION

[21] Appl. No.: **29/116,521**

FIG. 1 is a front elevational view of the divider compass showing my new design;

[22] Filed: **Jan. 4, 2000**

FIG. 2 is a bottom plan view thereof;

[51] **LOC (7) Cl. 10-04**

FIG. 3 is a rear elevational view thereof;

[52] **U.S. Cl. D10/68**

FIG. 4 is a top plan view thereof;

[58] **Field of Search** D10/61, 62, 68;
33/355 R-364, 268, 272, 273, 271

FIG. 5 is a left side elevational view thereof;

FIG. 6 is a right side elevational view thereof;

[56] **References Cited**

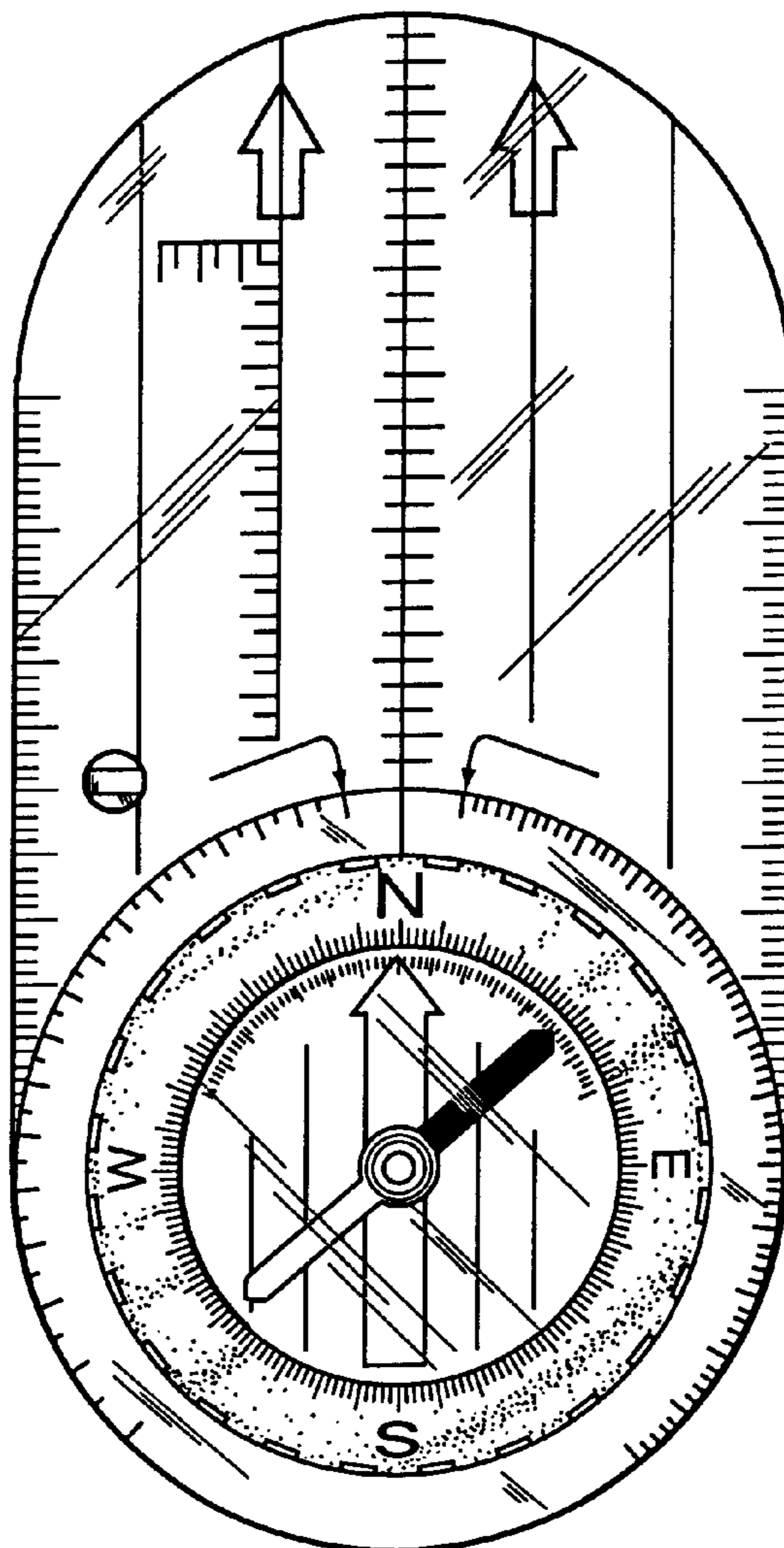
U.S. PATENT DOCUMENTS

D. 378,359	3/1997	Stoneberg	D10/68
D. 401,168	11/1998	Wallberg	D10/68
4,438,568	3/1984	Kramer et al.	33/355 R

FIG. 7 is an explanatory front view of the divider compass with the pair of rulers slightly opened; and,

FIG. 8 is an explanatory front view of the divider compass with the pair of rulers substantially fully opened.

1 Claim, 5 Drawing Sheets



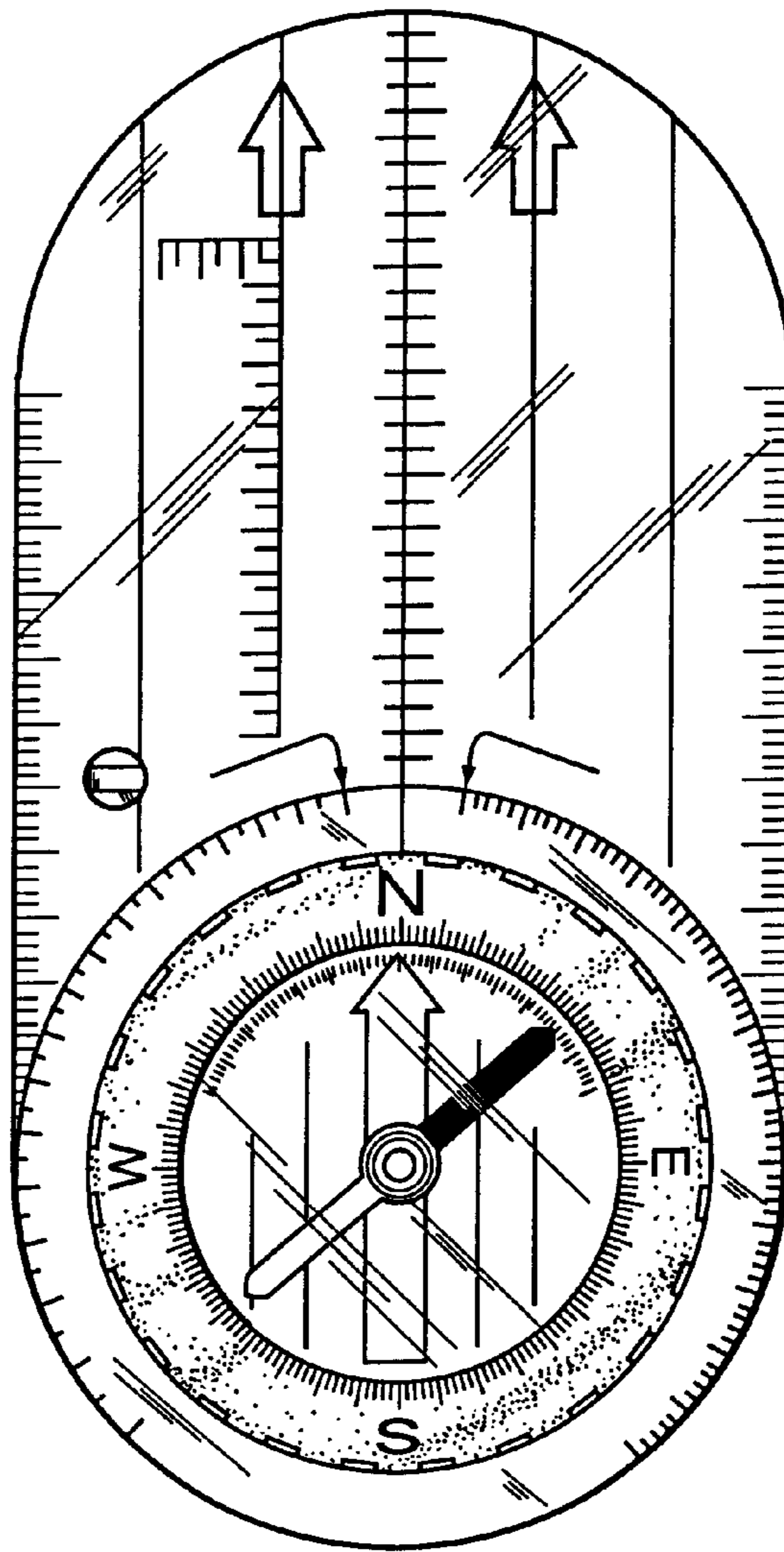


FIG. 1

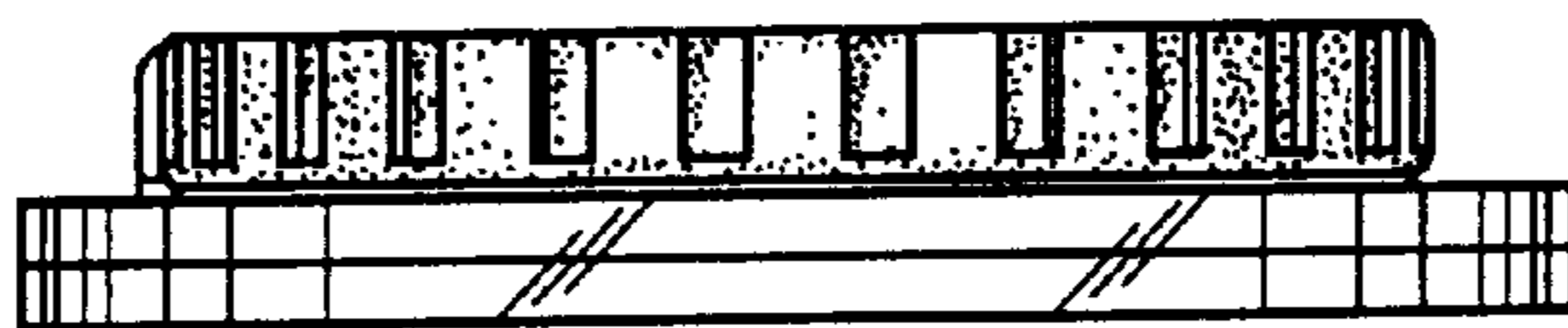


FIG. 2

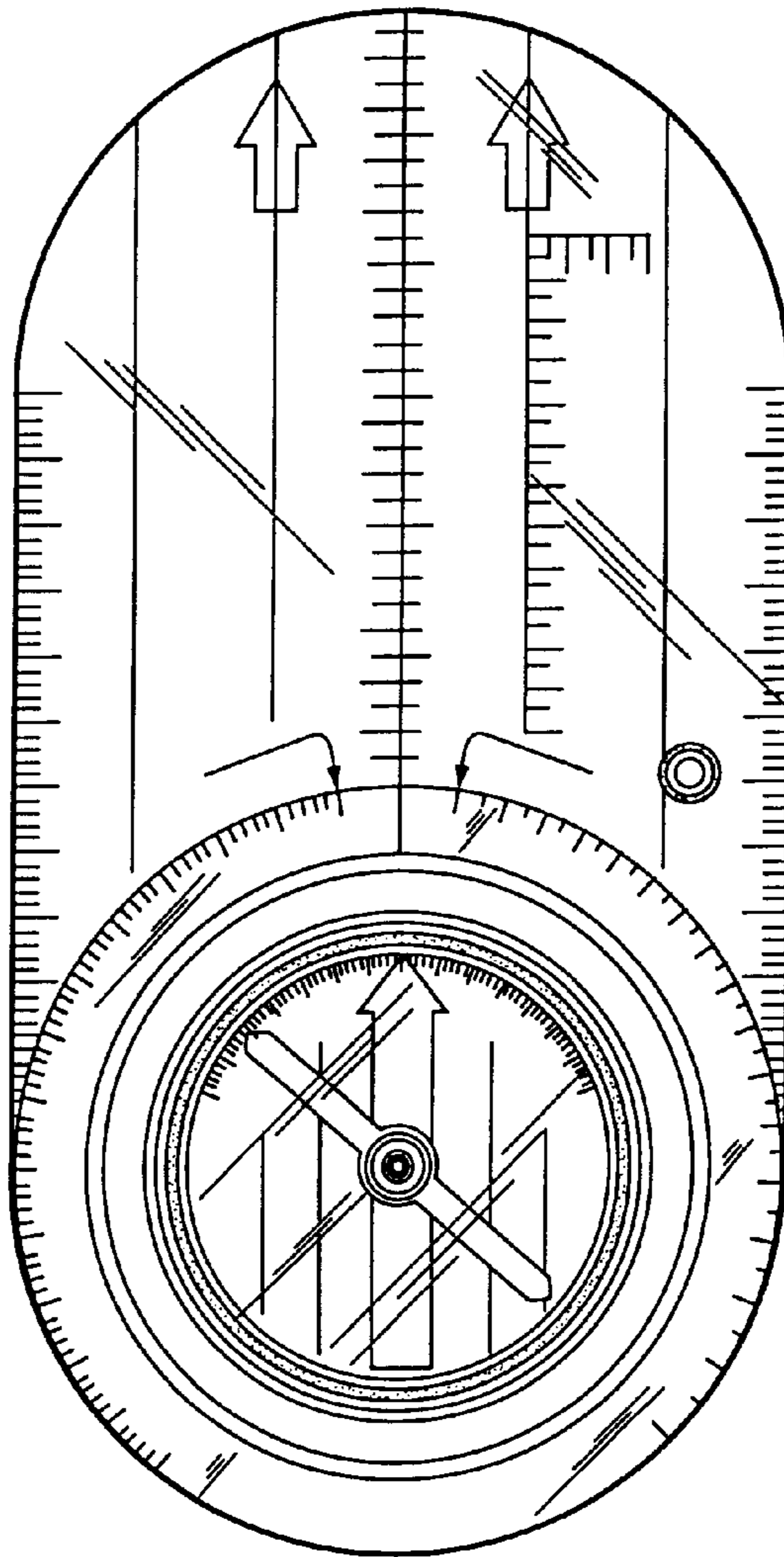


FIG. 3



FIG. 4



FIG. 5

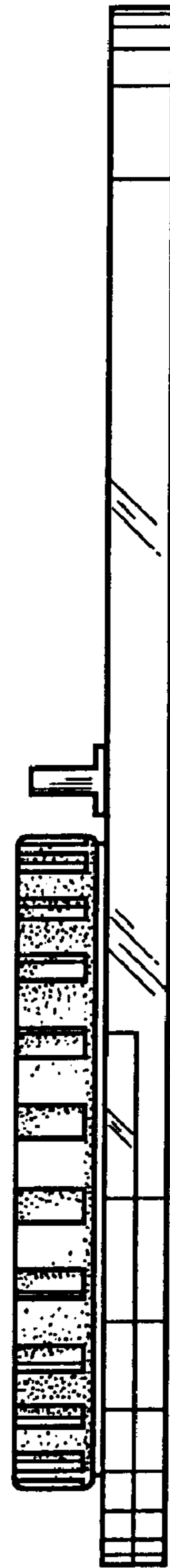


FIG. 6

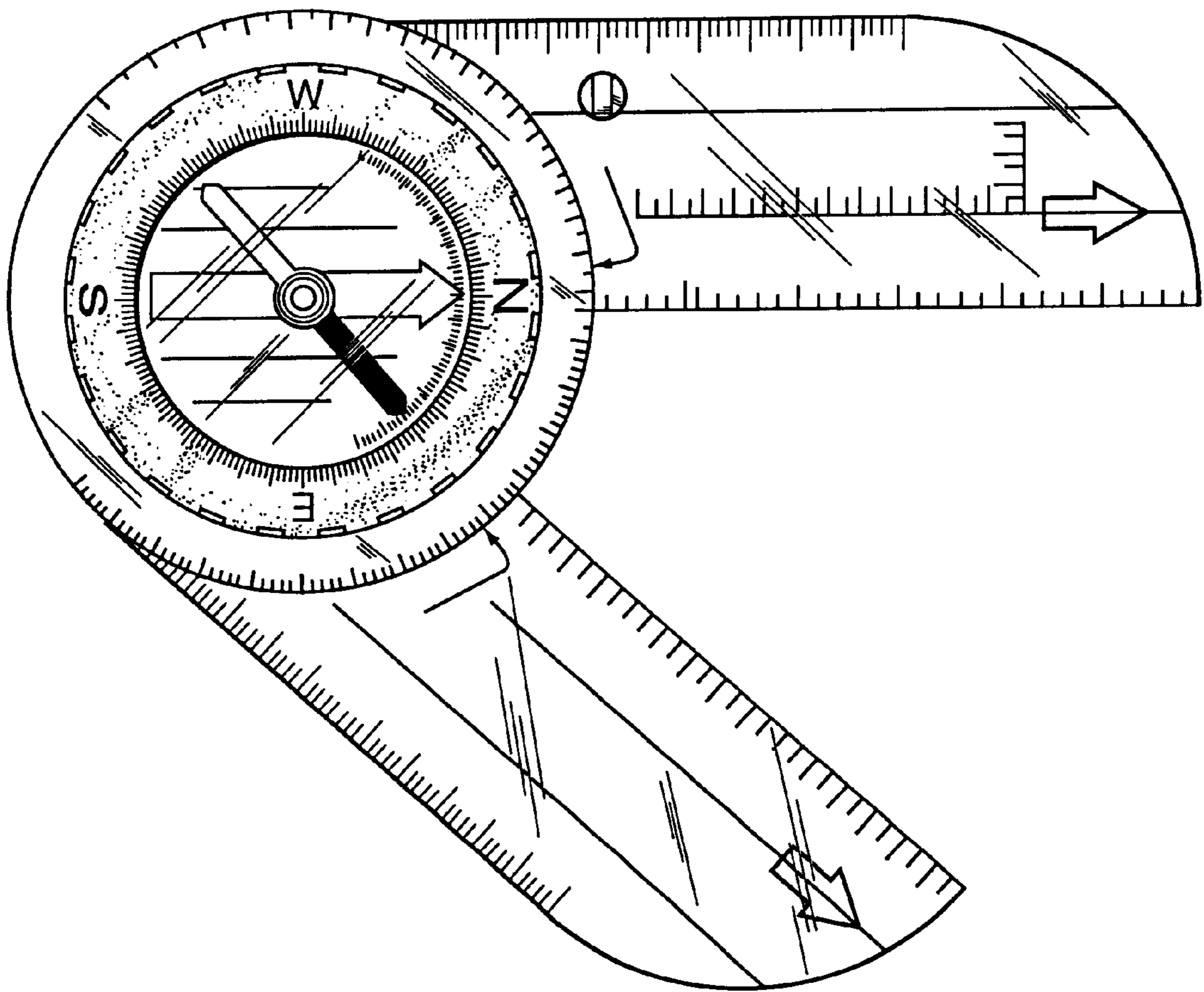


FIG. 7

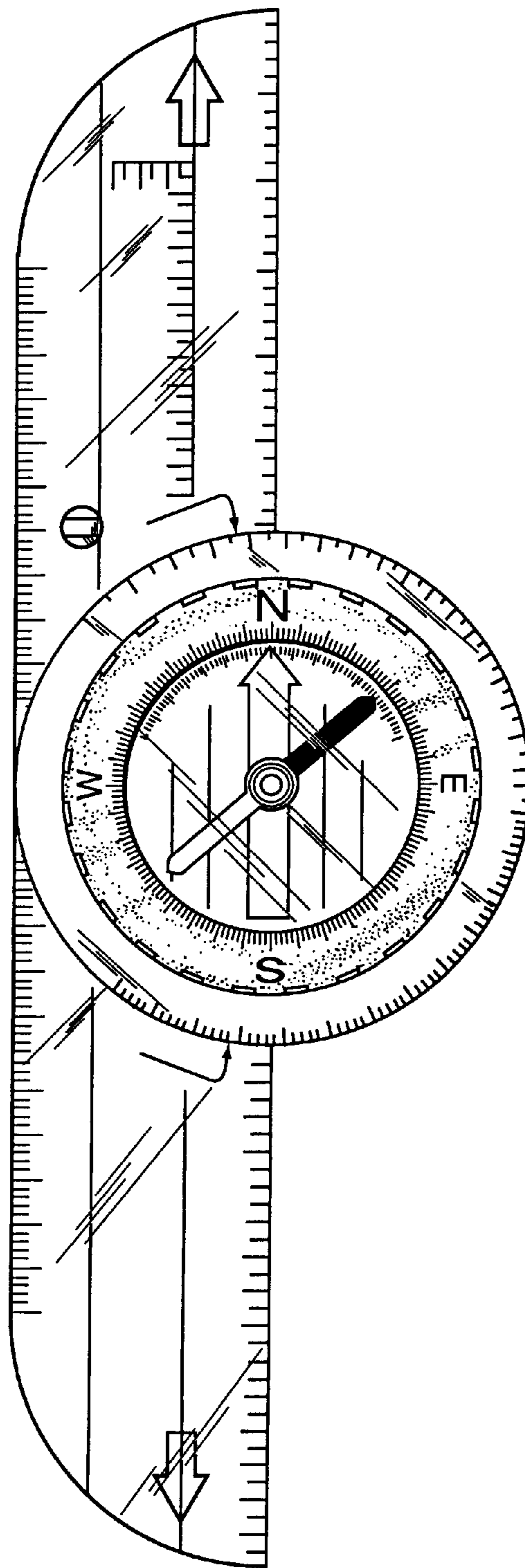


FIG. 8