



US00D435461S

# United States Patent [19]

[11] **Patent Number: Des. 435,461**

So

[45] **Date of Patent: \*\* Dec. 26, 2000**

## [54] TV/CATV CONTROL WATCH

[75] Inventor: **Wing Keung So**, Kowloon, China

[73] Assignee: **Sweda Limited**, Kowloon, China

[\*\*] Term: **14 Years**

[21] Appl. No.: **29/116,531**

[22] Filed: **Jan. 4, 2000**

[51] **LOC (7) Cl.** ..... **10-02**

[52] **U.S. Cl.** ..... **D10/31; D10/39**

[58] **Field of Search** ..... D10/1-40, 122-132;  
D14/218; 368/280-282, 276-277, 285;  
455/151.1, 151.4, 352

## [56] **References Cited**

### U.S. PATENT DOCUMENTS

D. 216,322	12/1969	Forey .	
D. 319,590	9/1991	Houlihan	..... D10/31
D. 372,716	8/1996	Thorne, III	..... D14/218
D. 376,544	12/1996	Egbert	..... D10/31
D. 415,041	10/1999	Goto et al.	..... D10/30
3,570,239	3/1971	Charles	..... D10/10

*Primary Examiner*—Nelson C. Holtje  
*Attorney, Agent, or Firm*—Alix, Yale & Ristas, LLP

## [57] **CLAIM**

The ornamental design for a TV/CATV control watch, as shown and described.

## **DESCRIPTION**

FIG. 1 is a front perspective view of the TV/CATV control watch showing my new design;

FIG. 2 is a front view of the TV/CATV control watch of FIG. 1;

FIG. 3 is a right side view of the TV/CATV control watch of FIG. 1;

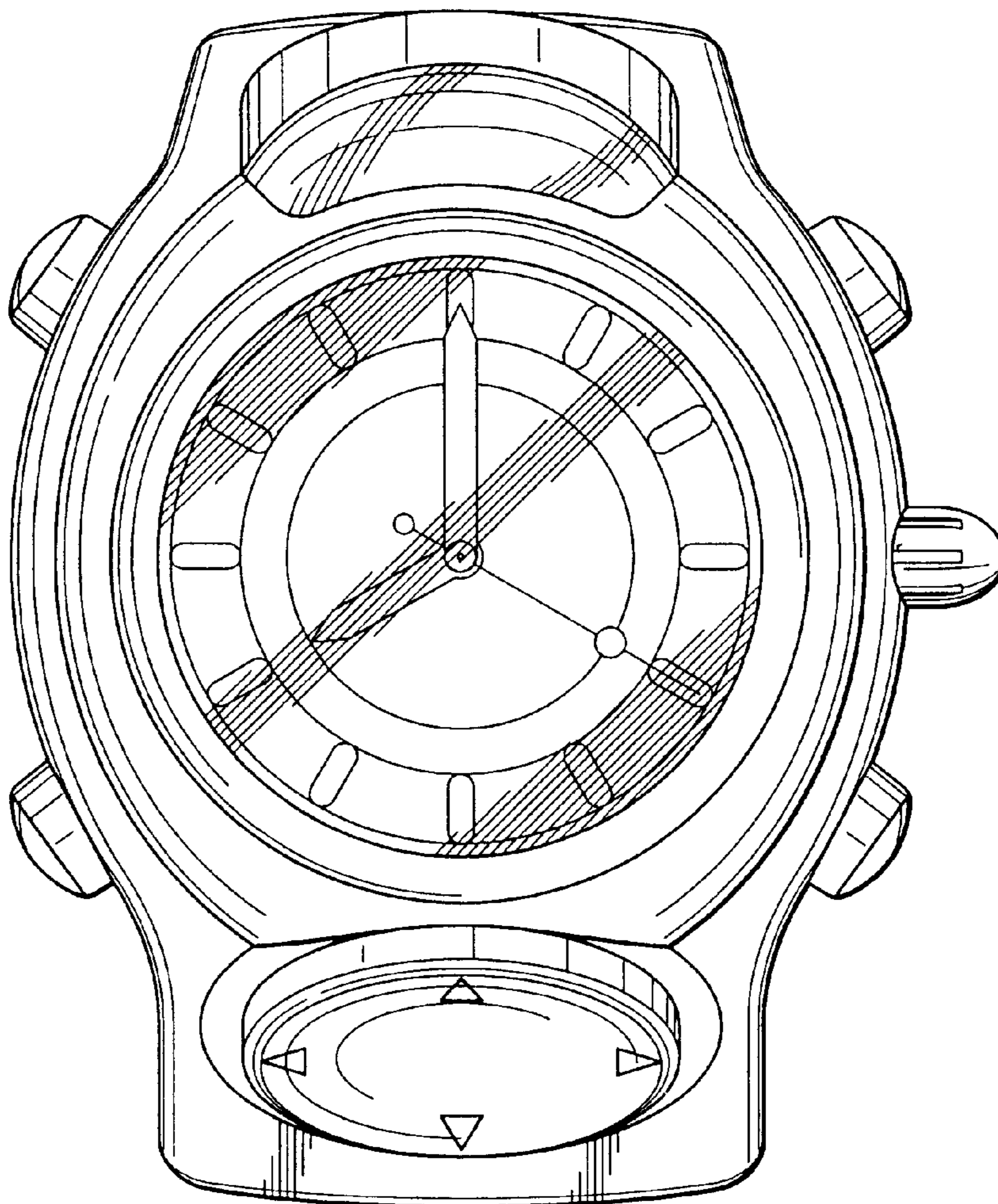
FIG. 4 is a top plan view of the TV/CATV control watch of FIG. 1;

FIG. 5 is a left side view of the TV/CATV control watch of FIG. 1;

FIG. 6 is a bottom plan view of the TV/CATV control watch of FIG. 1; and,

FIG. 7 is a rear view of the TV/CATV control watch of FIG. 1.

**1 Claim, 3 Drawing Sheets**



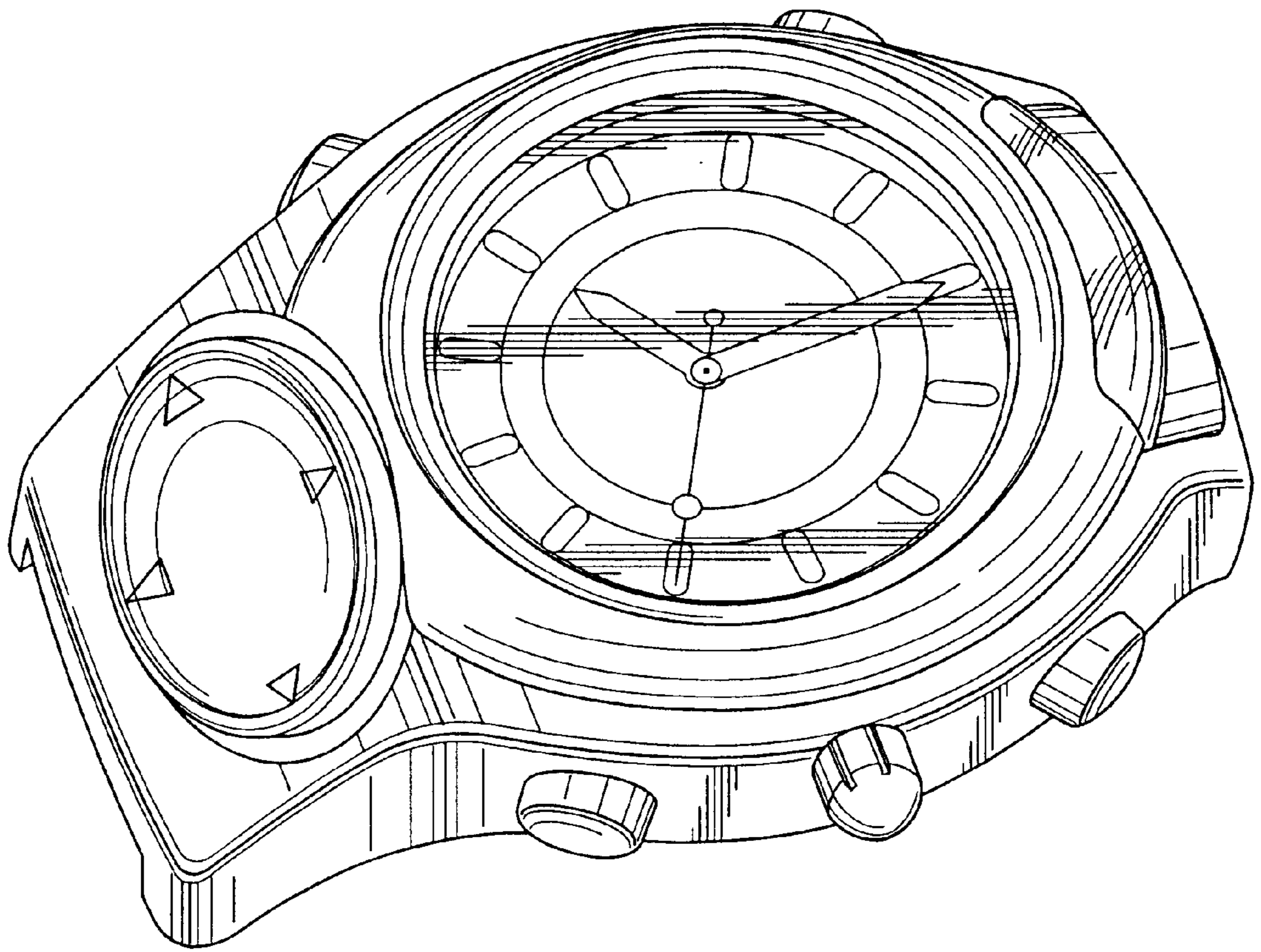


FIG. 1

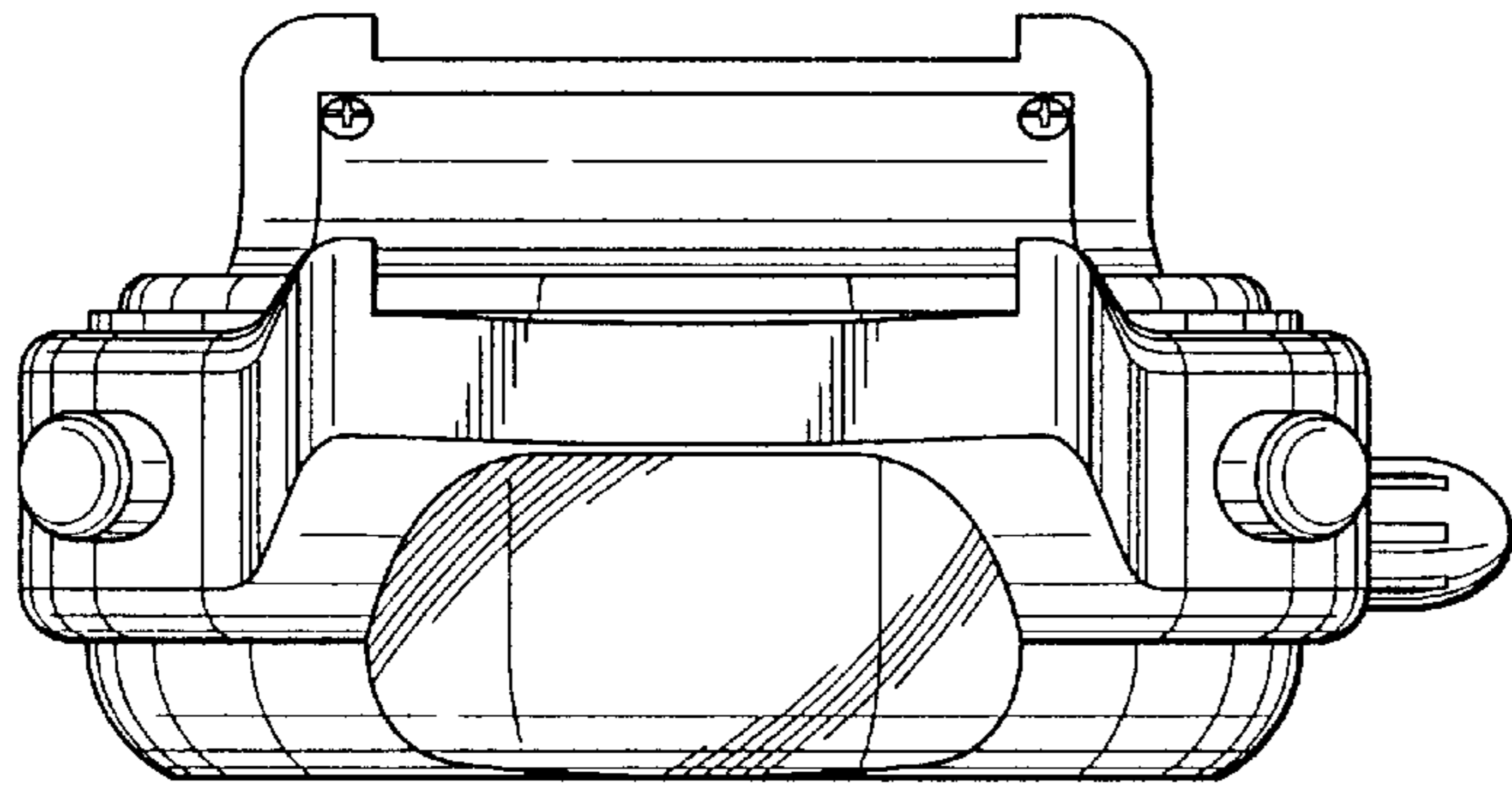


FIG. 4

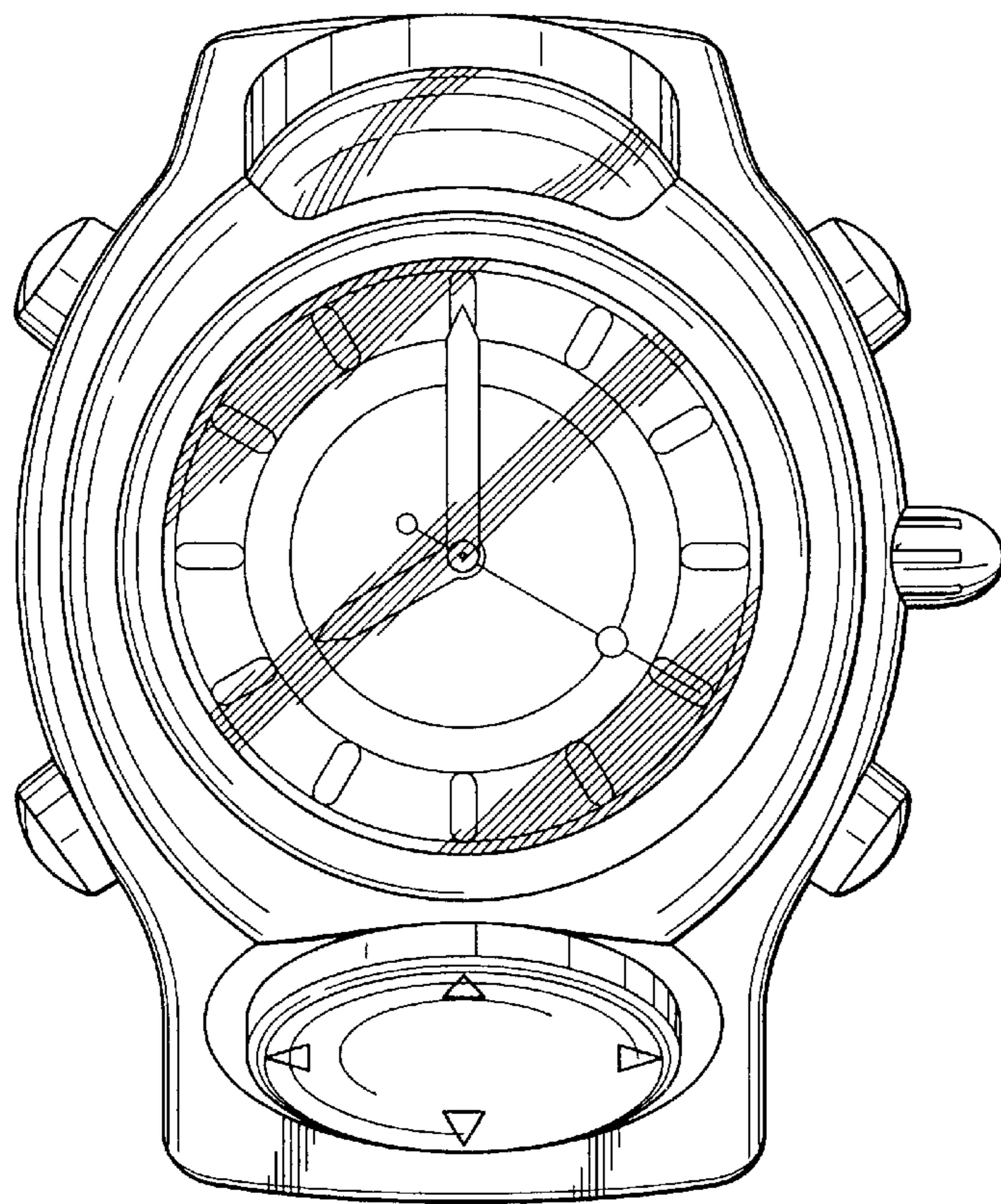


FIG. 2

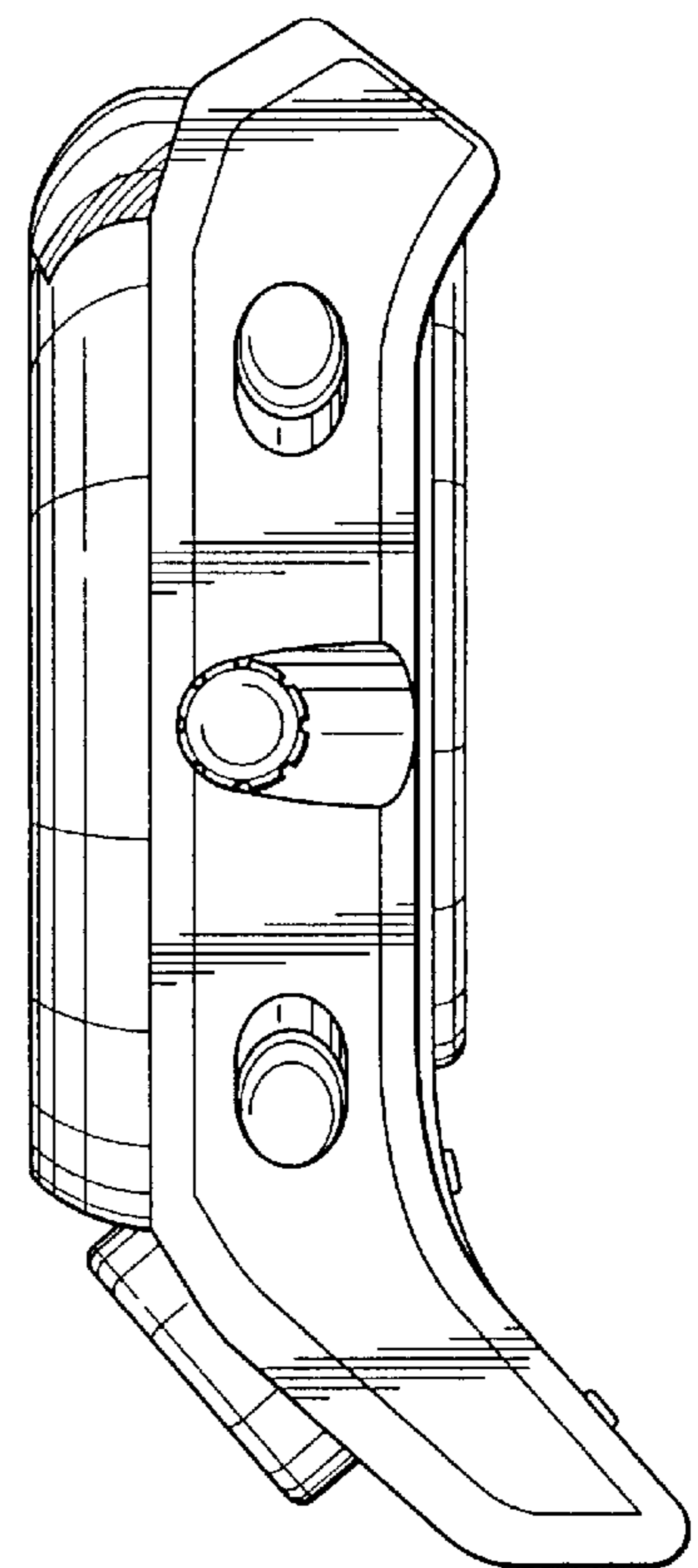


FIG. 3

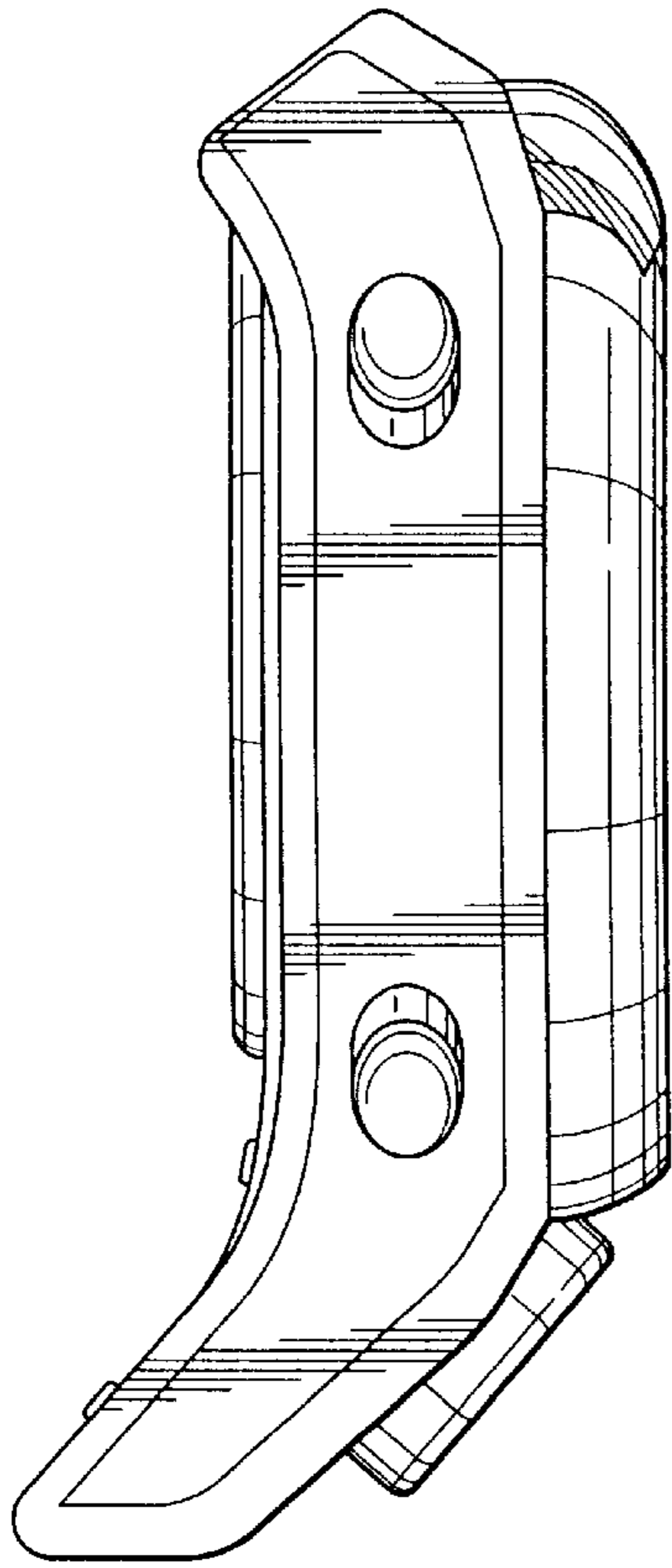


FIG. 5

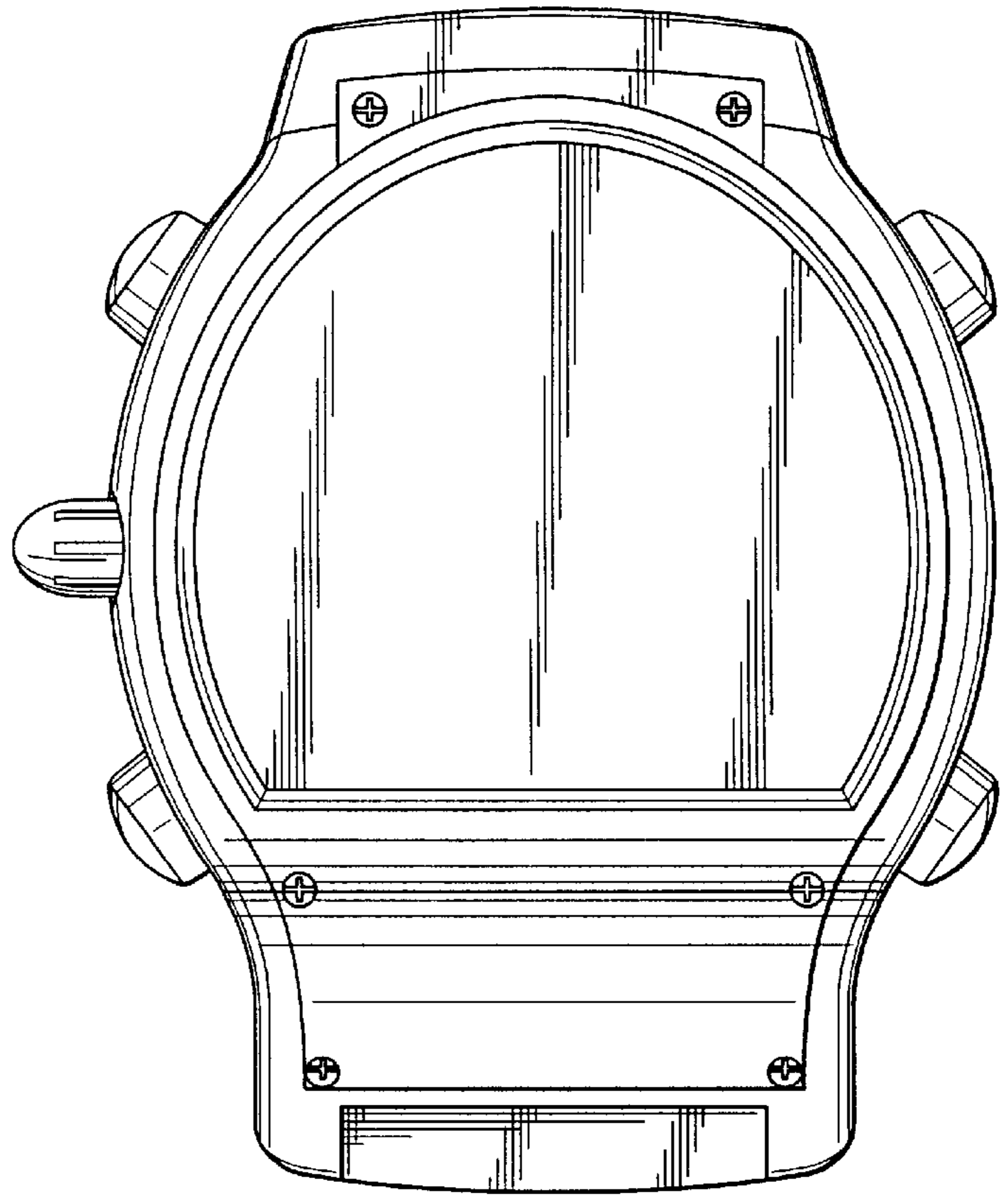


FIG. 7

FIG. 6

