



US00D435459S

United States Patent [19]
Sakamaki

[11] **Patent Number: Des. 435,459**

[45] **Date of Patent: ** Dec. 26, 2000**

[54] **WRIST WATCH CASE**

[75] **Inventor: Yasuyuki Sakamaki, Yokohama, Japan**

[73] **Assignee: Citizen Watch Co., Ltd., Tokyo, Japan**

[**] **Term: 14 Years**

[21] **Appl. No.: 29/120,152**

[22] **Filed: Mar. 16, 2000**

[51] **LOC (7) Cl. 10-02**

[52] **U.S. Cl. D10/30; D10/39**

[58] **Field of Search D10/1-40, 122-132;
368/280-282, 276-277, 285**

[56] **References Cited**

U.S. PATENT DOCUMENTS

- D. 323,127 1/1992 Kawashima D10/39
- D. 359,916 7/1995 Iida D10/32
- D. 361,275 8/1995 Wyss D10/30

- D. 361,276 8/1995 Wyss D10/30
- D. 373,542 9/1996 Cattin D10/32
- D. 402,898 12/1998 Hanagata D10/30
- D. 407,329 3/1999 Kawashima et al. D10/30

Primary Examiner—Nelson C. Holtje
Attorney, Agent, or Firm—Pillsbury Madison & Sutro LLP

[57] **CLAIM**

The ornamental design for a wrist watch case, as shown.

DESCRIPTION

FIG. 1 is a front and right side perspective view of a wrist watch case showing my new design, FIG. 2 is a front elevational view thereof, FIG. 3 is a rear elevational view thereof, FIG. 4 is a left side elevational view thereof, FIG. 5 is a right side elevational view thereof, FIG. 6 is a top plan view thereof; and, FIG. 7 is a bottom plan view thereof.

1 Claim, 2 Drawing Sheets

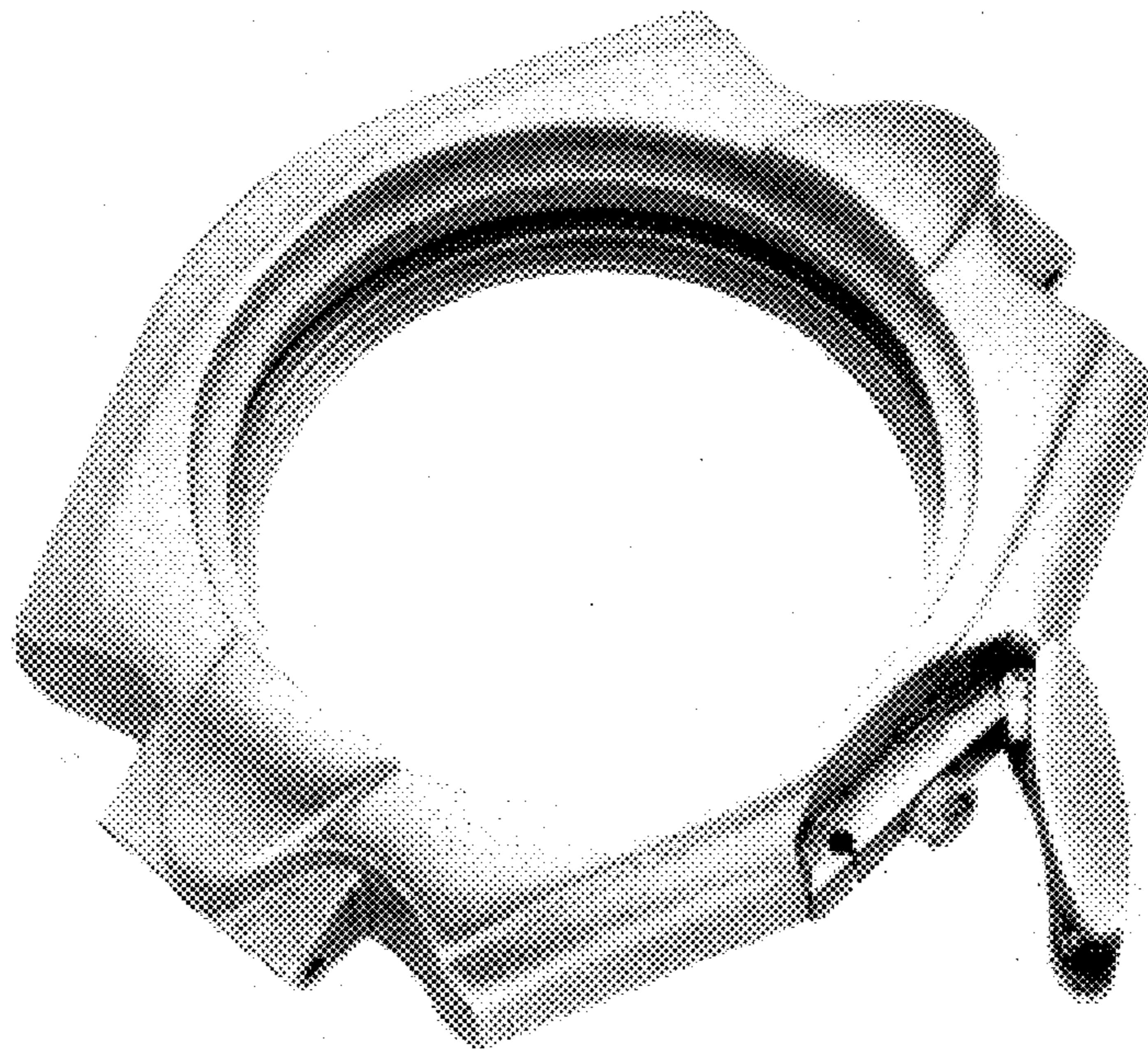


FIG. 1

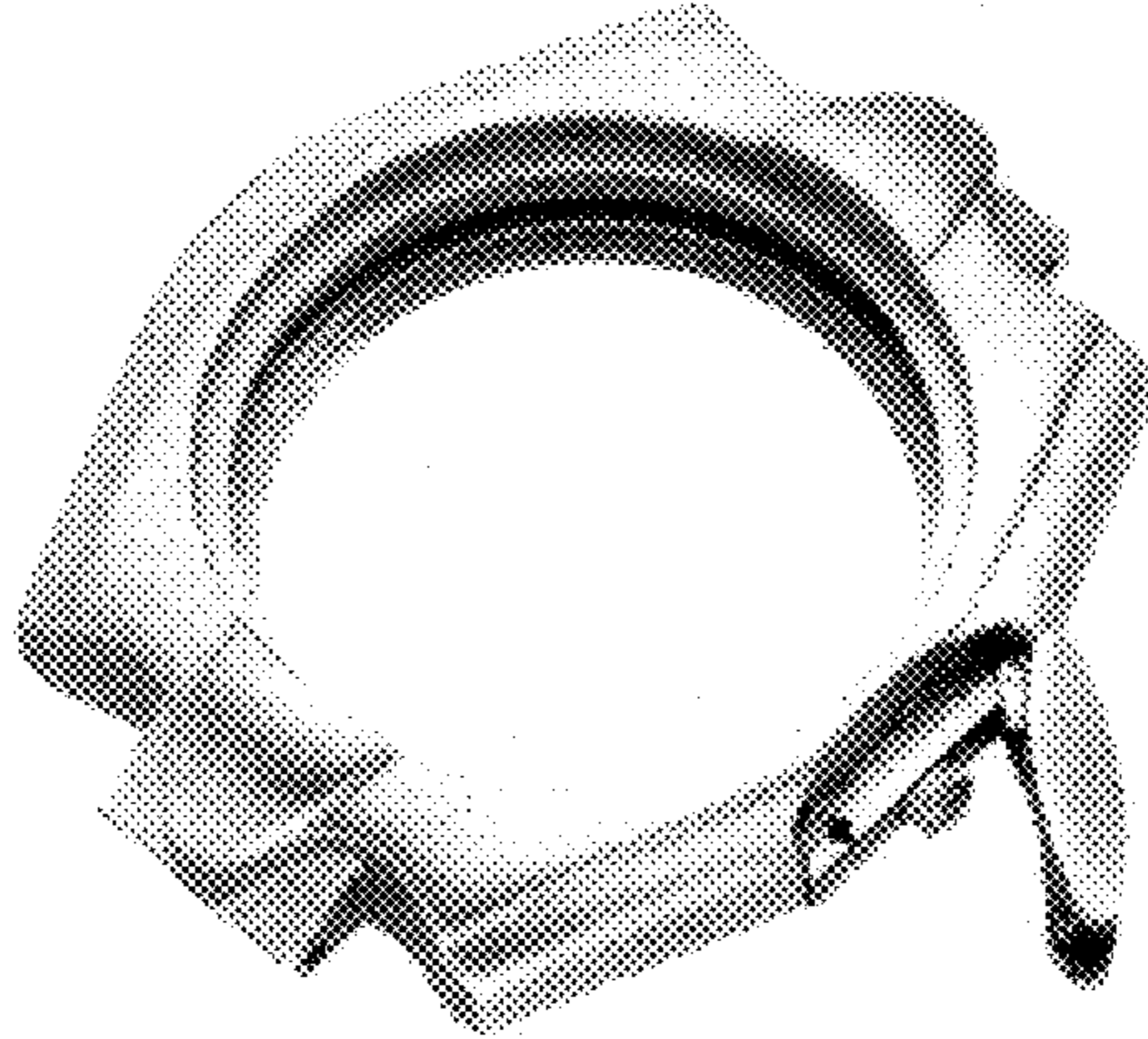


FIG. 2

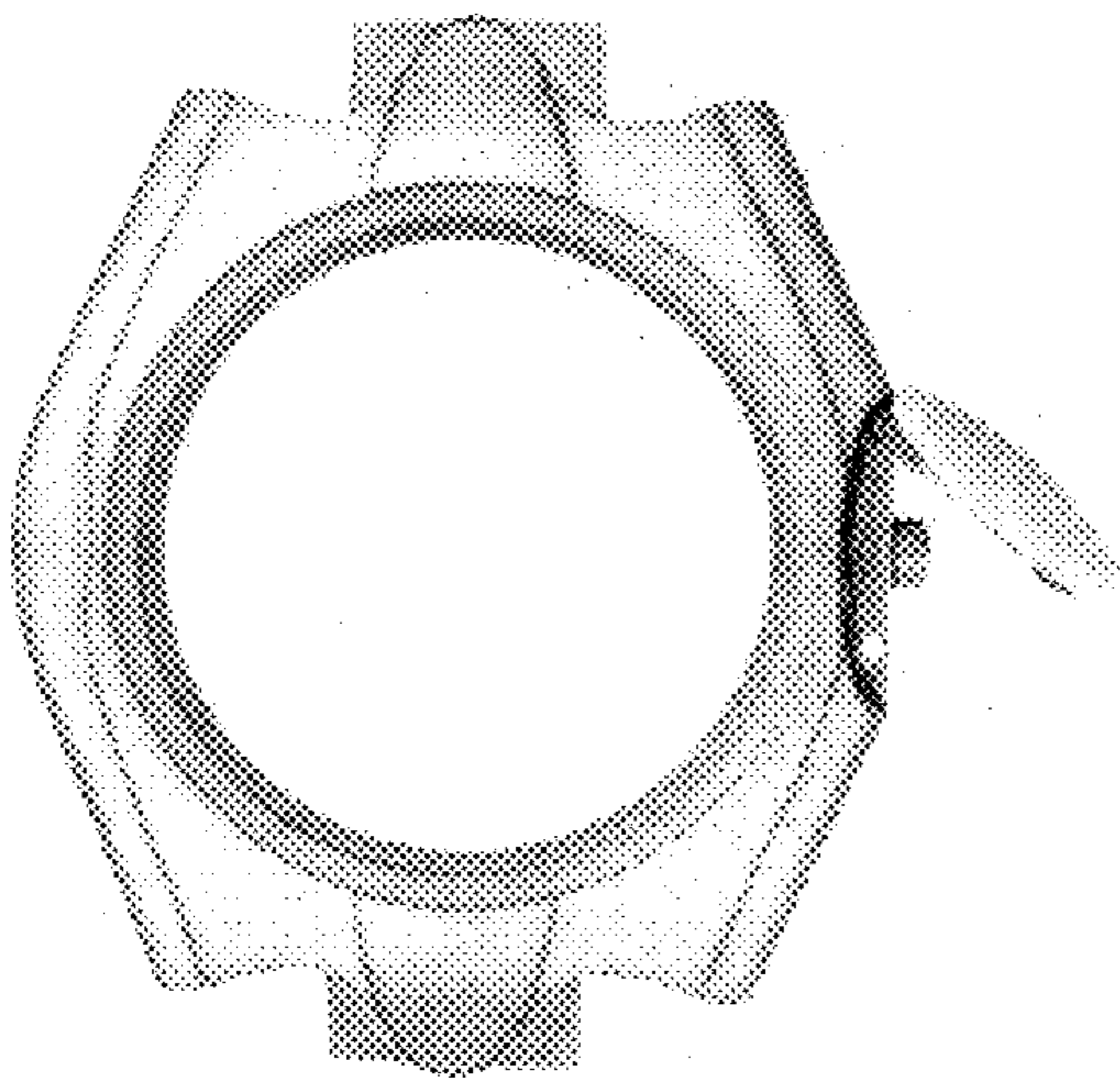


FIG. 3

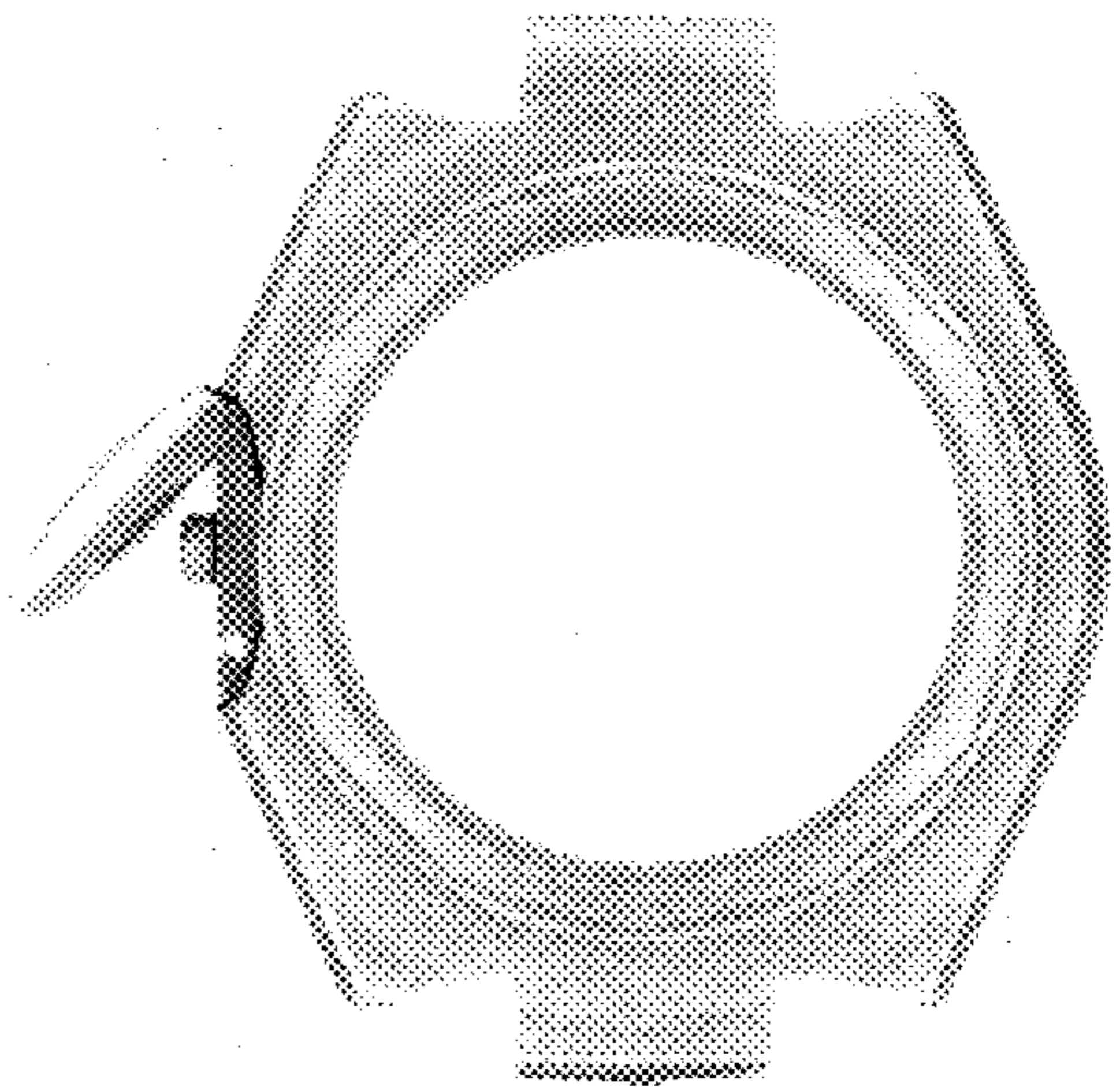


FIG. 4

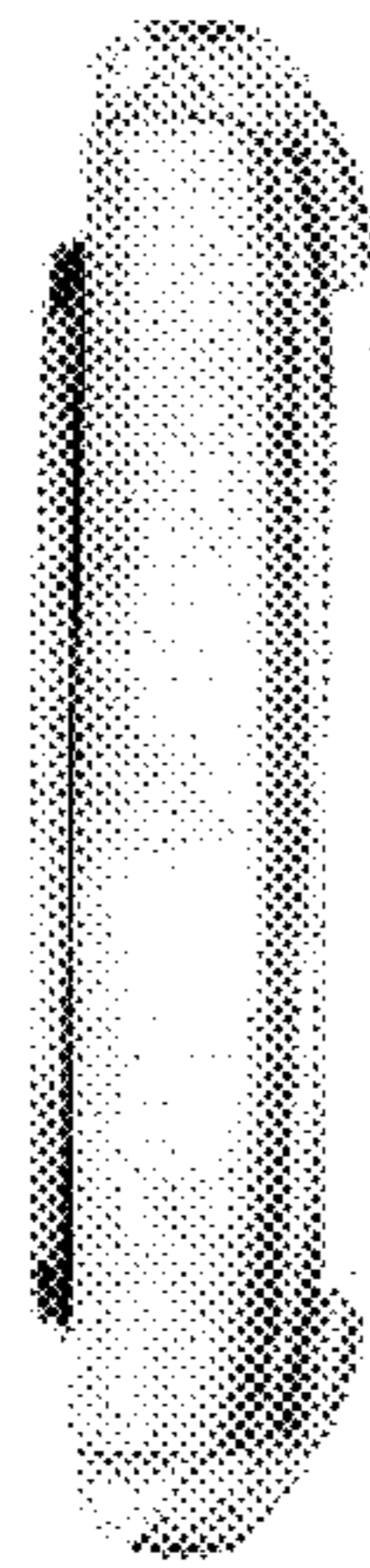


FIG. 5

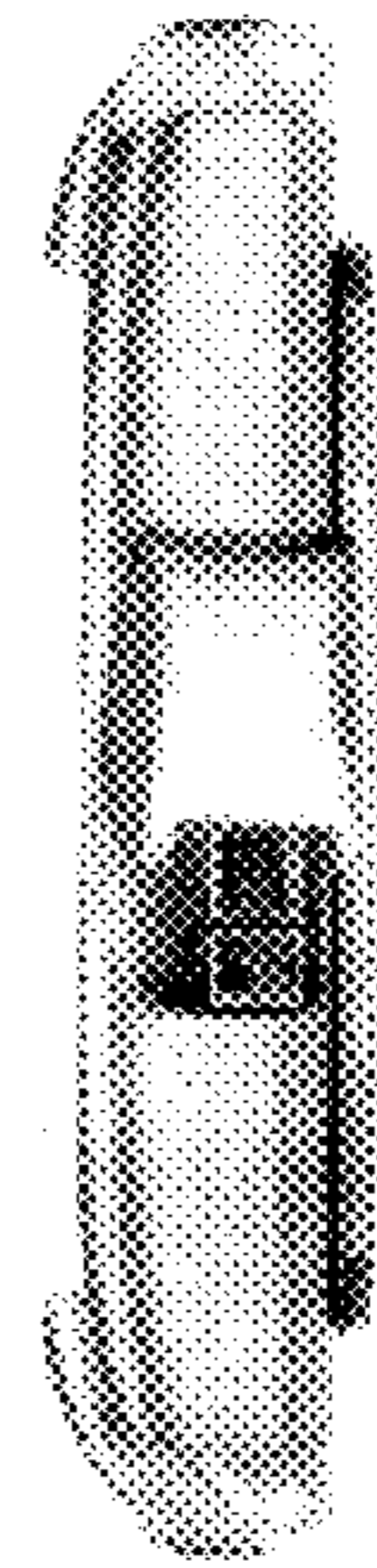


FIG. 6



FIG. 7

