



US00D435456S

United States Patent [19] Shanahan

[11] **Patent Number: Des. 435,456**

[45] **Date of Patent: ** Dec. 26, 2000**

[54] **BOTTLE CAP**

[75] Inventor: **Laura Shanahan**, New York, N.Y.

[73] Assignee: **Estee Lauder Companies Inc.**, N.Y.

[**] Term: **14 Years**

[21] Appl. No.: **29/119,135**

[22] Filed: **Feb. 24, 2000**

D. 311,492 10/1990 Pearse D9/544
D. 333,269 2/1993 Albright et al. D9/544
D. 343,580 1/1994 Reynaud D9/560

Primary Examiner—Dominic Simone
Attorney, Agent, or Firm—Fulbright & Jaworski,LLP

[57] CLAIM

The ornamental design for a bottle cap, as shown and described.

DESCRIPTION

FIG. 1 is a perspective view of the design according to the invention;
FIG. 2 is a front elevational view, the rear elevational view is the same;
FIG. 3 is a side elevational view, the opposite side elevational view is the same;
FIG. 4 is a top plan view; and,
FIG. 5 is an underside view of the design according to the invention.

The broken lines in the drawings are for illustrative purposes only and do not form part of the claimed design.

Related U.S. Application Data

[62] Division of application No. 29/089,004, Jun. 5, 1998.

[51] **LOC (7) Cl.** **09-01**

[52] **U.S. Cl.** **D9/544**

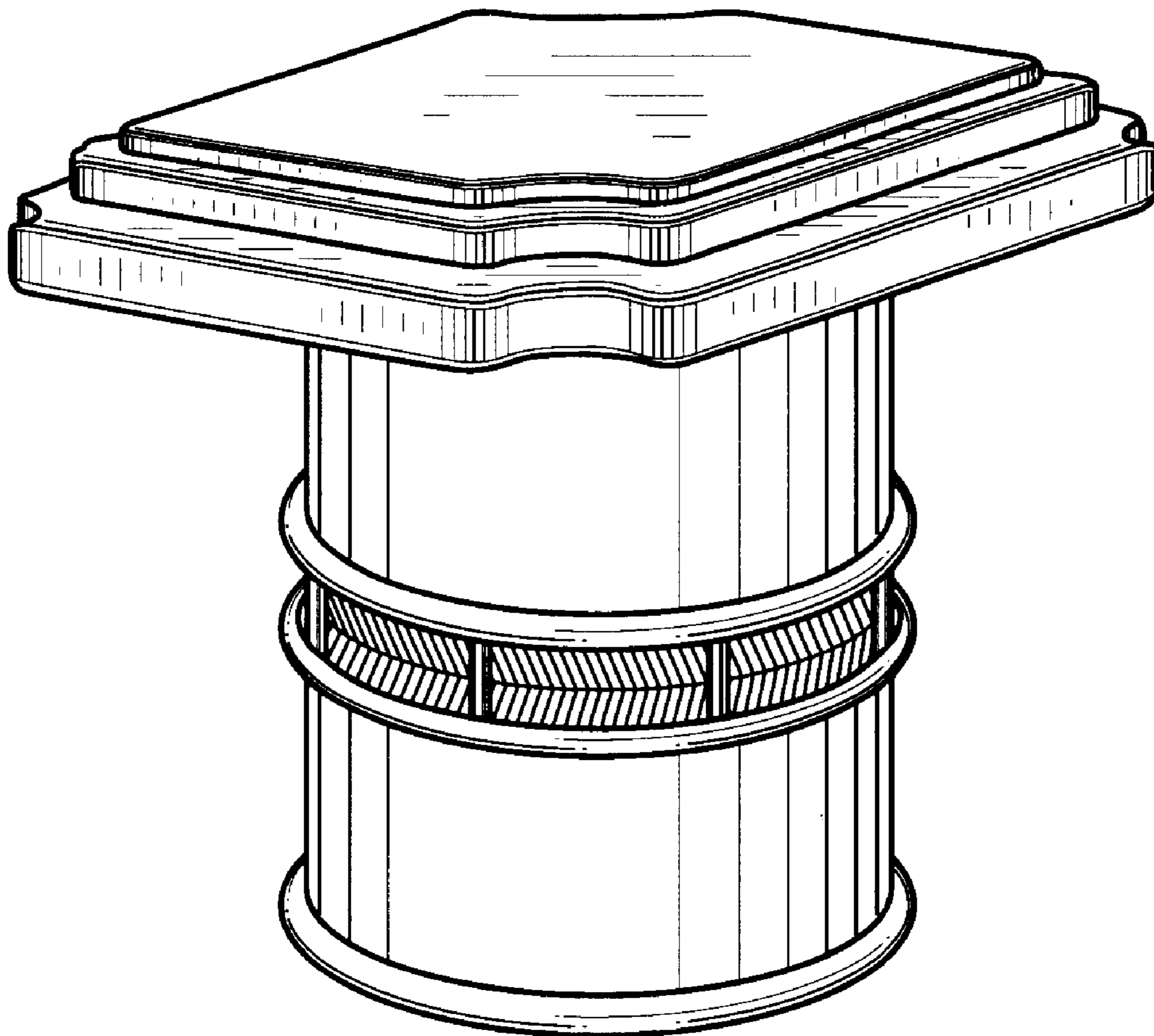
[58] **Field of Search** D9/544, 546, 573,
D9/574, 560, 435; 215/381, 383, 384

References Cited

U.S. PATENT DOCUMENTS

D. 76,142 8/1928 Liddell D9/544
D. 90,558 8/1933 Tricard D9/560

1 Claim, 2 Drawing Sheets



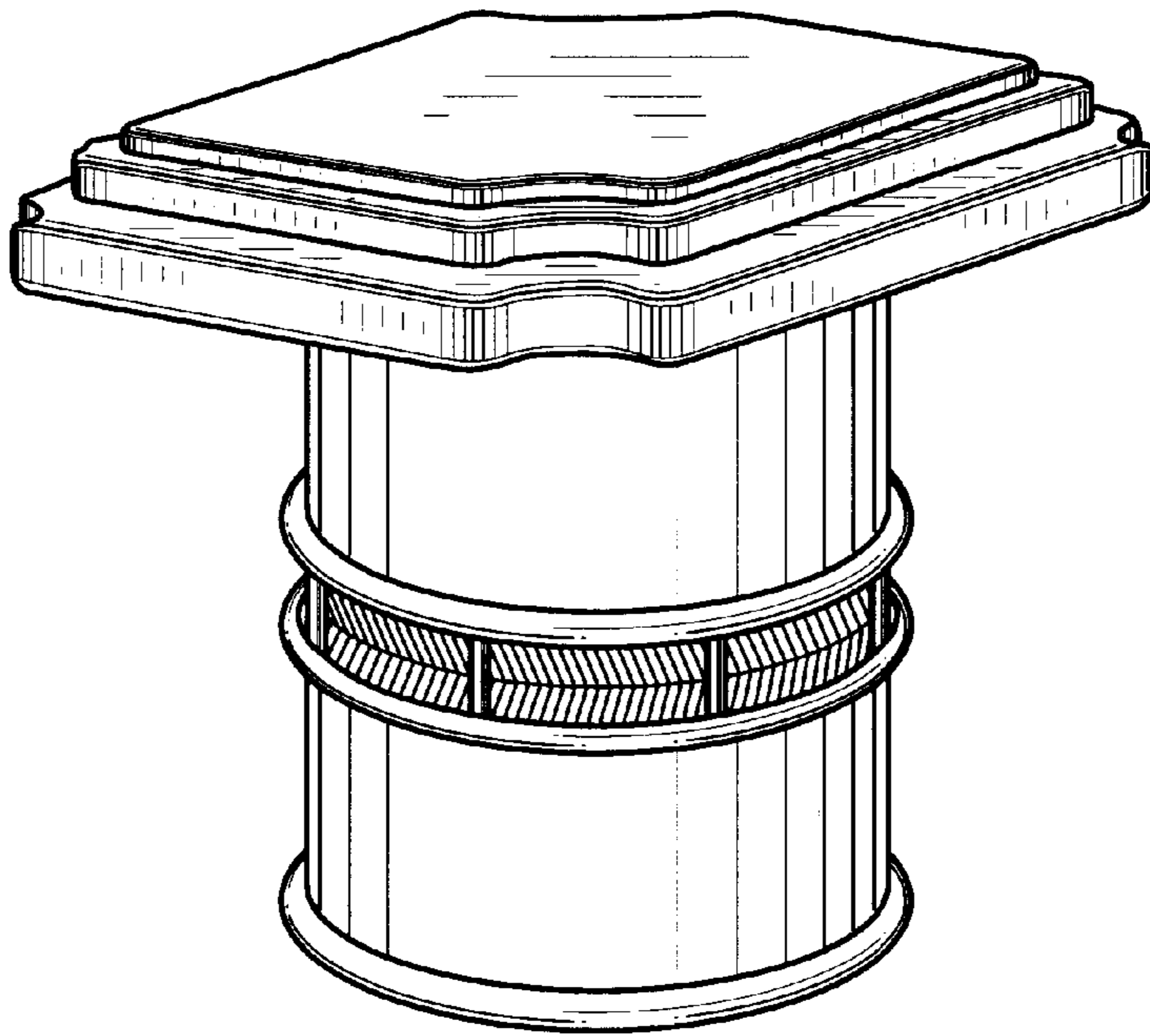


FIG. 1

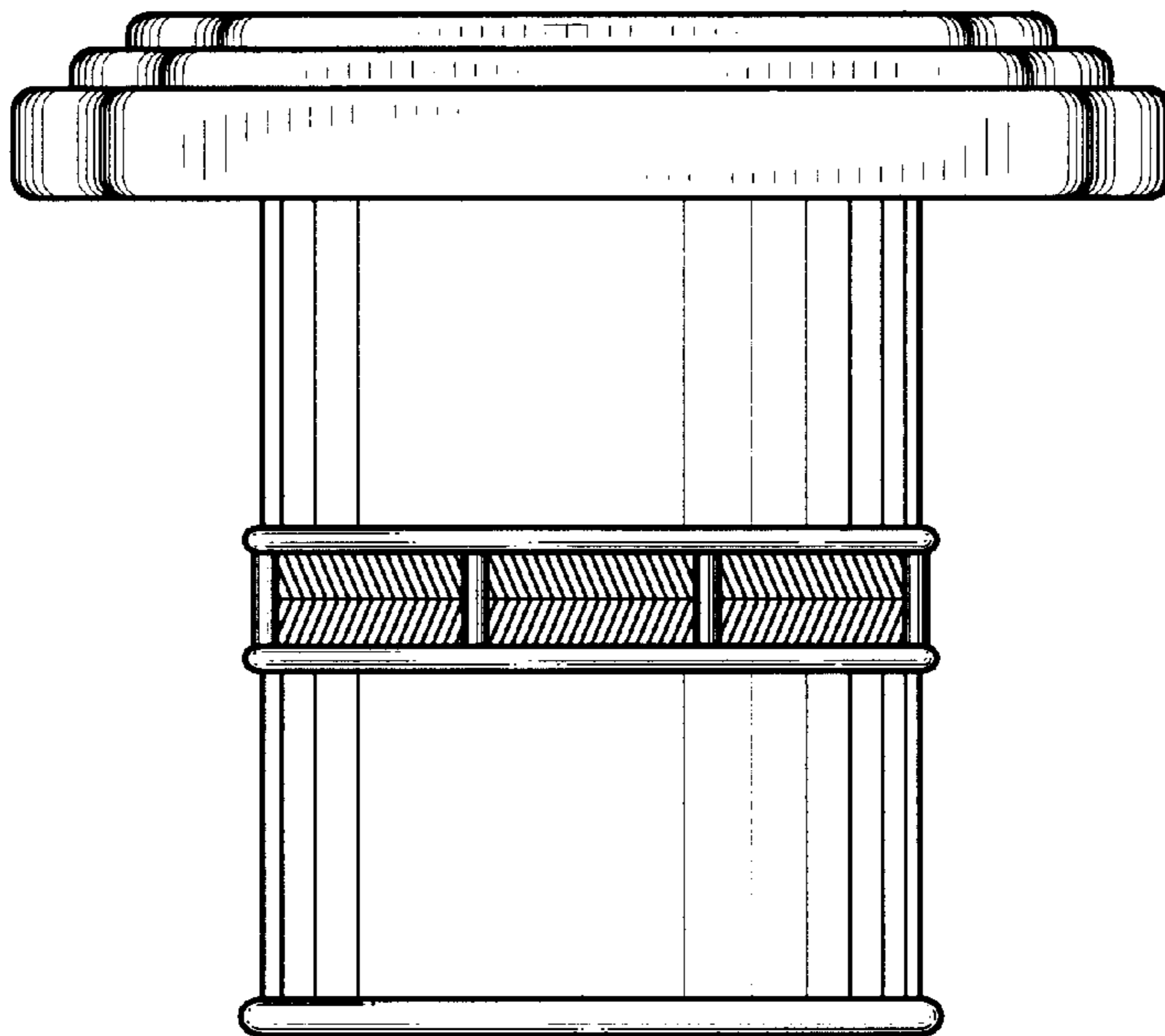


FIG. 2

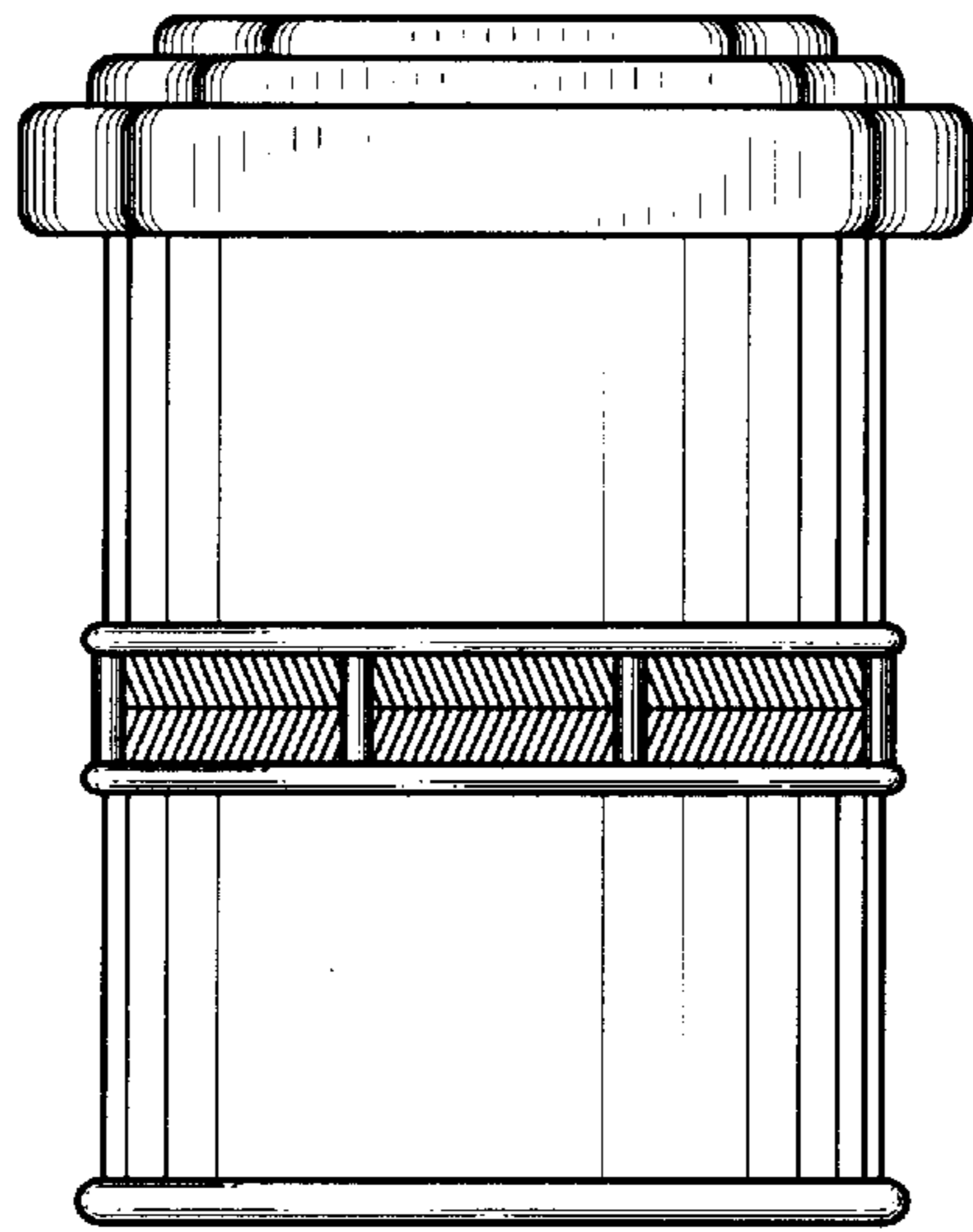


FIG. 3

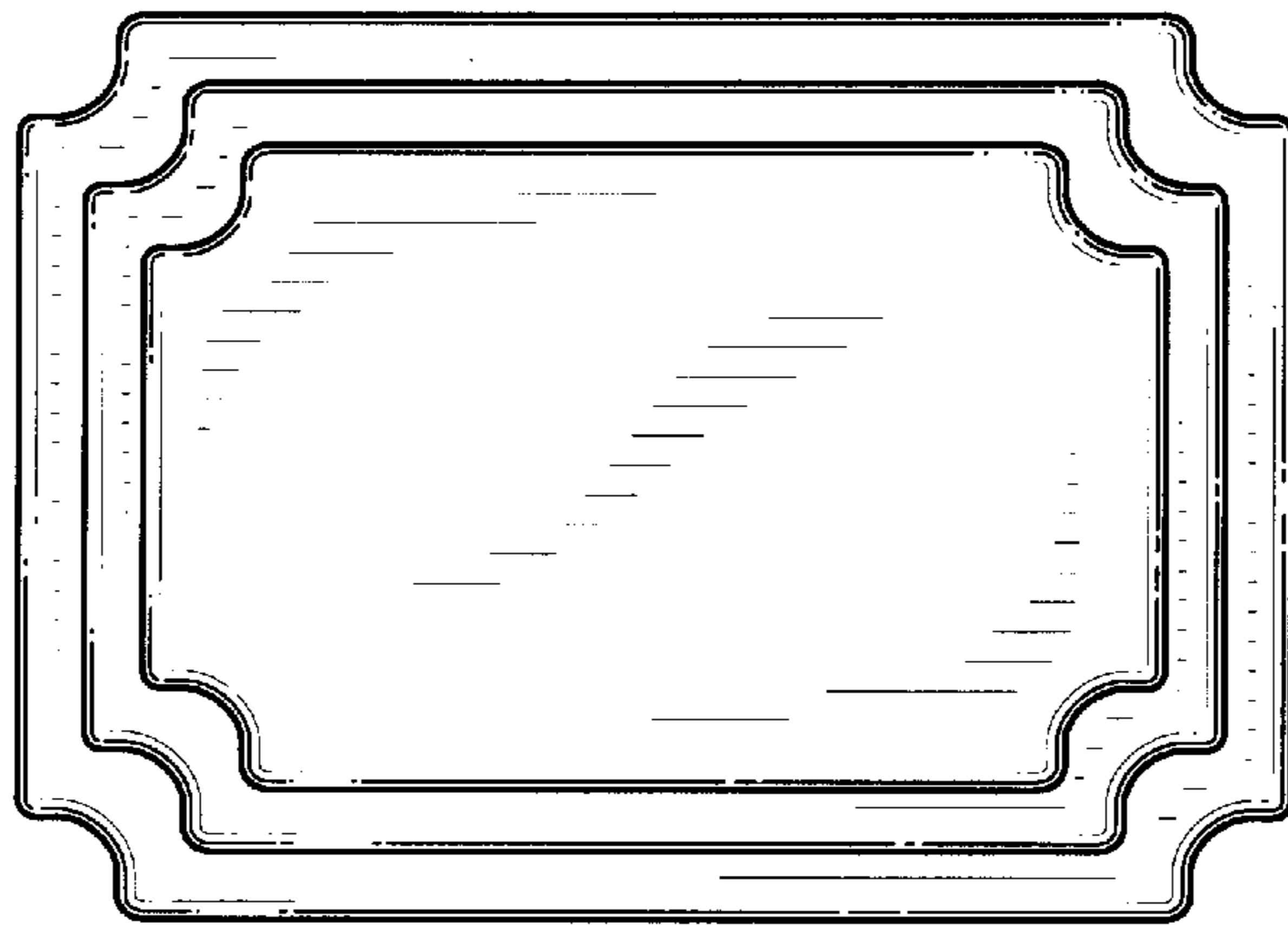


FIG. 4

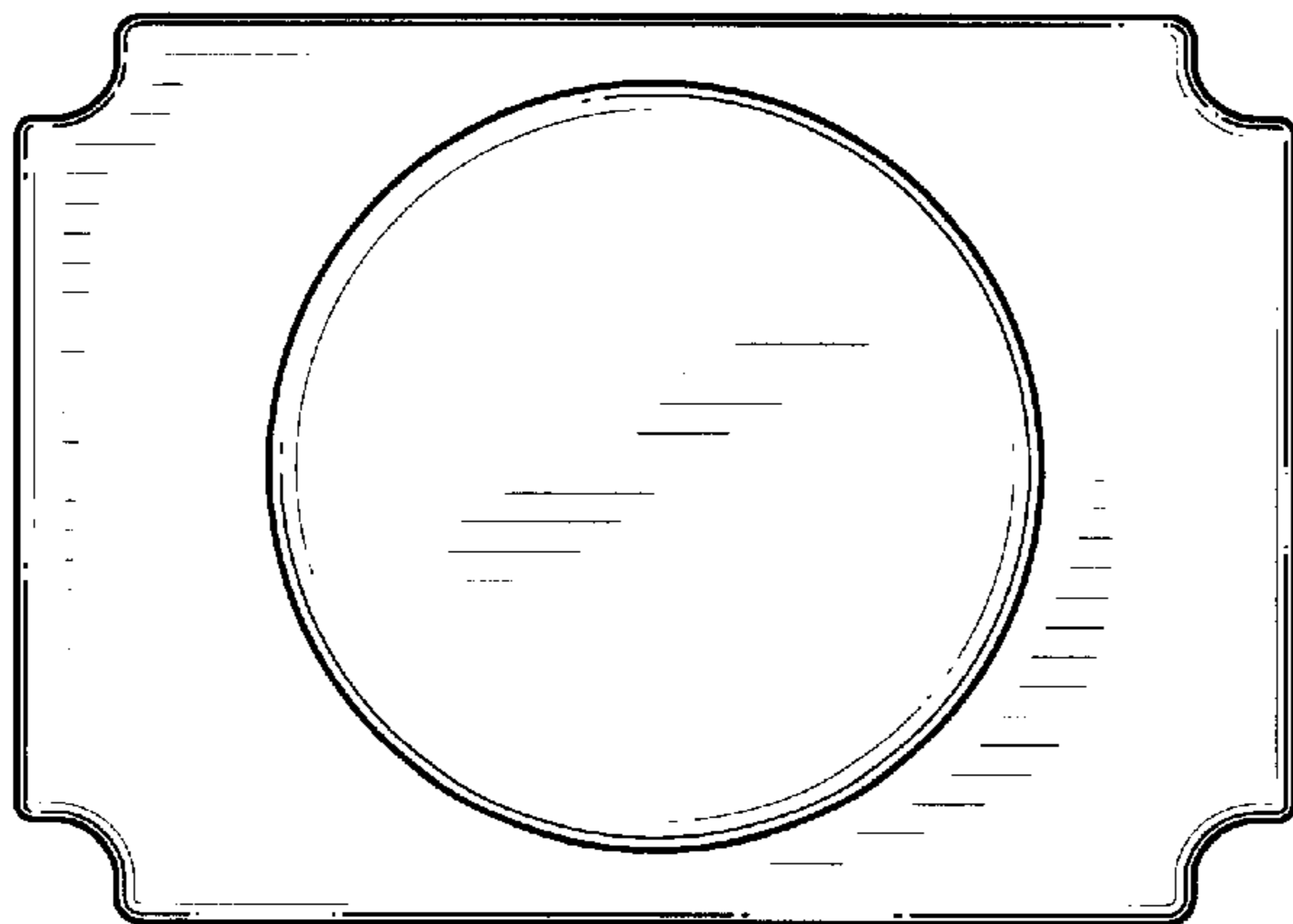


FIG. 5