



US00D435452S

United States Patent [19] Giugiaro

[11] Patent Number: **Des. 435,452**

[45] Date of Patent: **** Dec. 26, 2000**

[54] CONTAINER

[75] Inventor: **Giorgetto Giugiaro, Turin, Italy**

[73] Assignee: **Castrol Limited, Swindon, United Kingdom**

[**] Term: **14 Years**

[21] Appl. No.: **29/094,698**

[22] Filed: **Oct. 8, 1998**

[51] LOC (7) Cl. **09-03**

[52] U.S. Cl. **D9/528**

[58] Field of Search D9/305, 307, 337,
D9/339, 414, 434-435, 500, 502, 516, 520,
523, 527-528, 530-531, 533, 538, 545,
549, 550-551, 554, 556-558, 560, 575;
215/370, 382, 383, 384, 396, 398

[56] **References Cited**

U.S. PATENT DOCUMENTS

D. 220,679	5/1971	Finkel	D9/523
D. 278,030	3/1985	Drummond	D9/528
D. 310,961	10/1990	Hoyt	D9/528
D. 312,210	11/1990	Myerson et al.	D9/528
D. 333,981	3/1993	Brown et al.	D9/528

D. 339,066	9/1993	Brown et al.	D9/533
D. 352,545	11/1994	Raffo	D9/523
D. 353,334	12/1994	Brown et al.	D9/528
D. 358,334	5/1995	Manderfield, Jr.	D9/531
D. 358,991	6/1995	Bridger et al.	D9/528
D. 377,759	2/1997	Hot	D9/520
D. 377,760	2/1997	Hot	D9/523
4,858,758	8/1989	Mitchell et al.	215/398

Primary Examiner—Ted Shooman

Assistant Examiner—Carol Rademaker

Attorney, Agent, or Firm—McAndrews, Held & Malloy

[57] CLAIM

The ornamental design for a container, as shown and described.

DESCRIPTION

FIG. 1 is a perspective view of a container according to my new design;

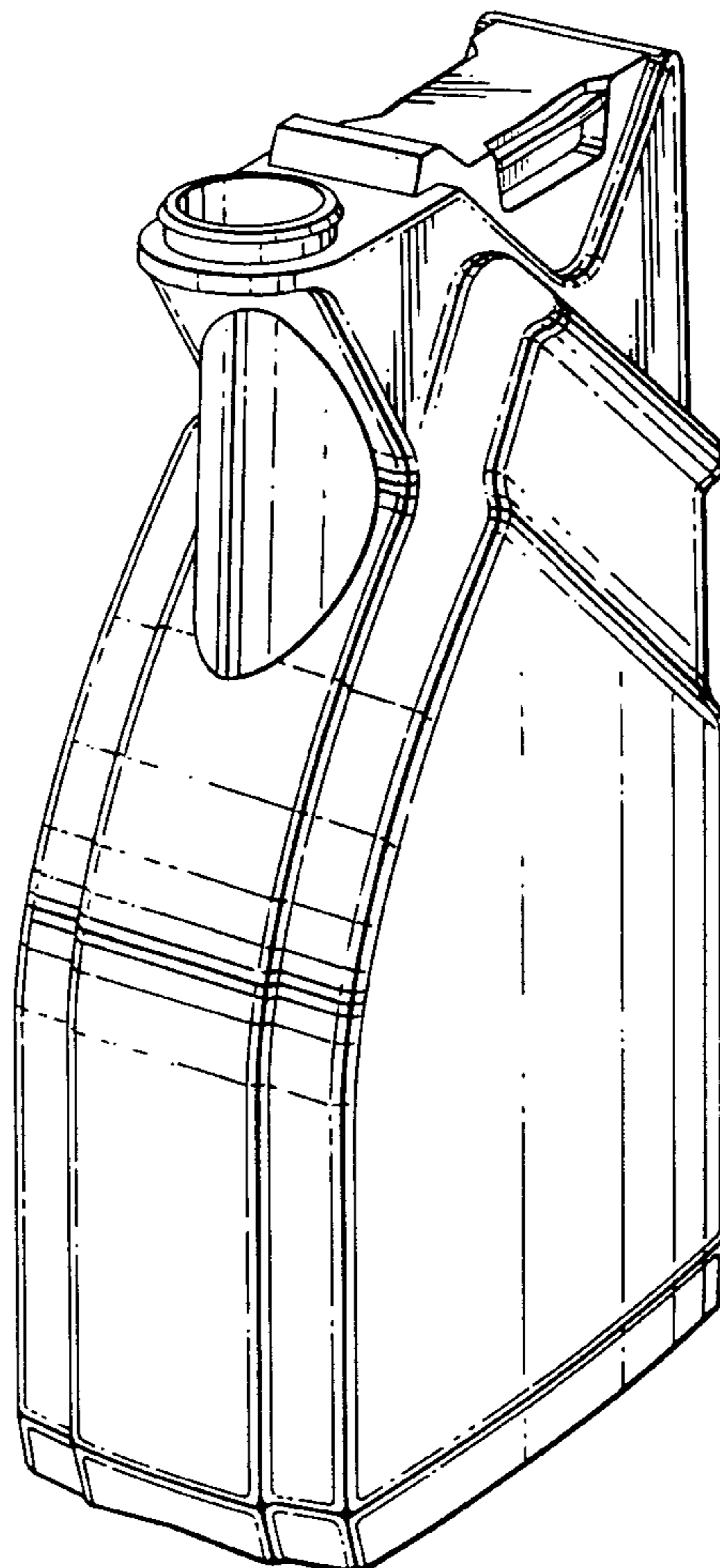
FIG. 2 is a side elevation view of the container of FIG. 1, the opposite side being a mirror image;

FIG. 3 is a front elevation view of the container of FIG. 1;

FIG. 4 is a rear elevation view of the container in FIG. 1; and,

FIG. 5 is a top plan view of the container in FIG. 1.

1 Claim, 3 Drawing Sheets



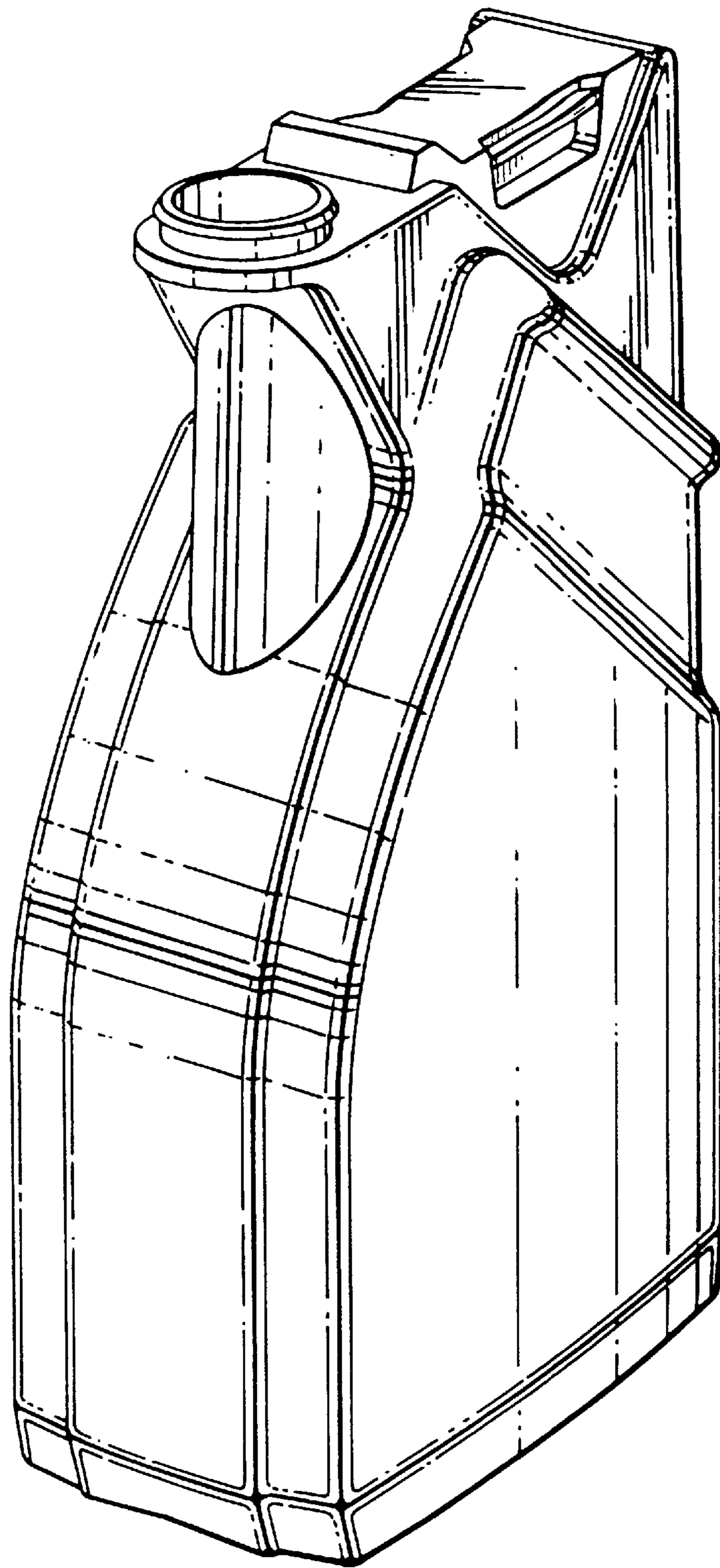


FIG. 1

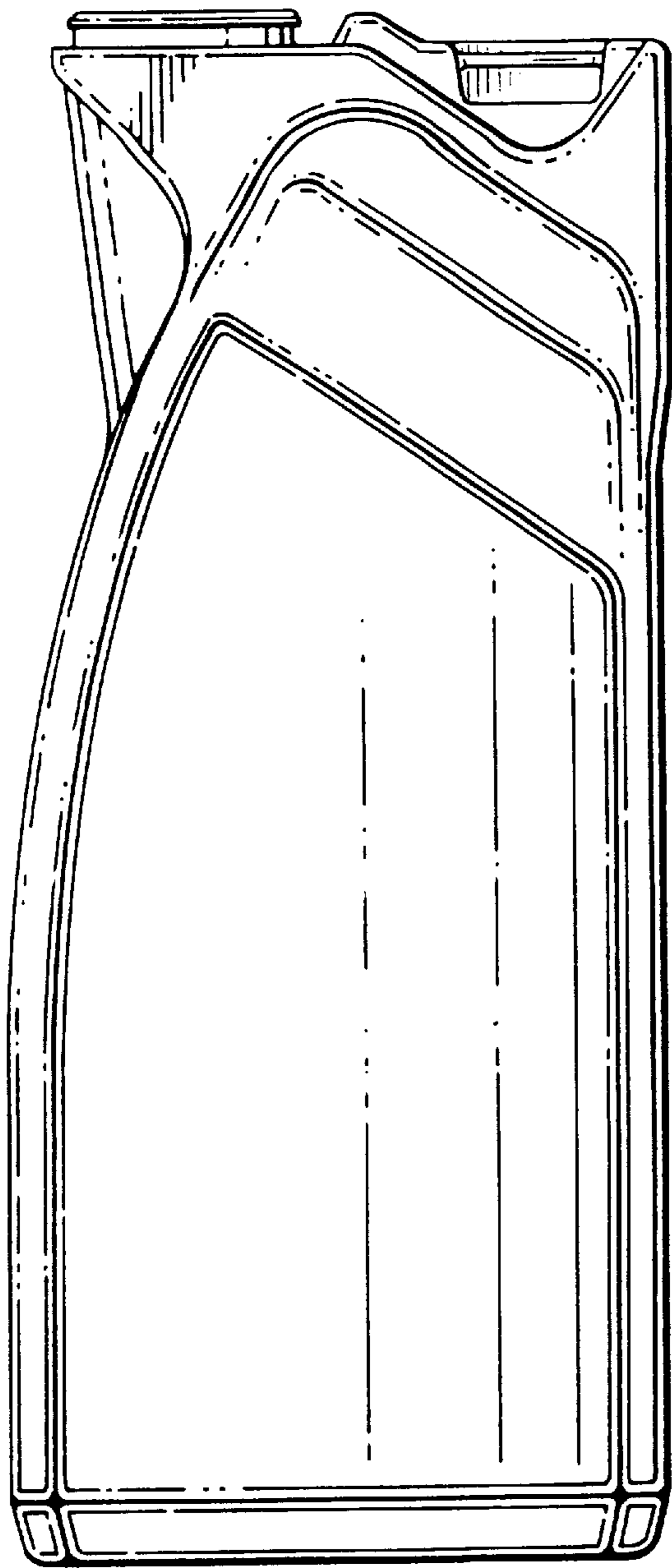


FIG. 2

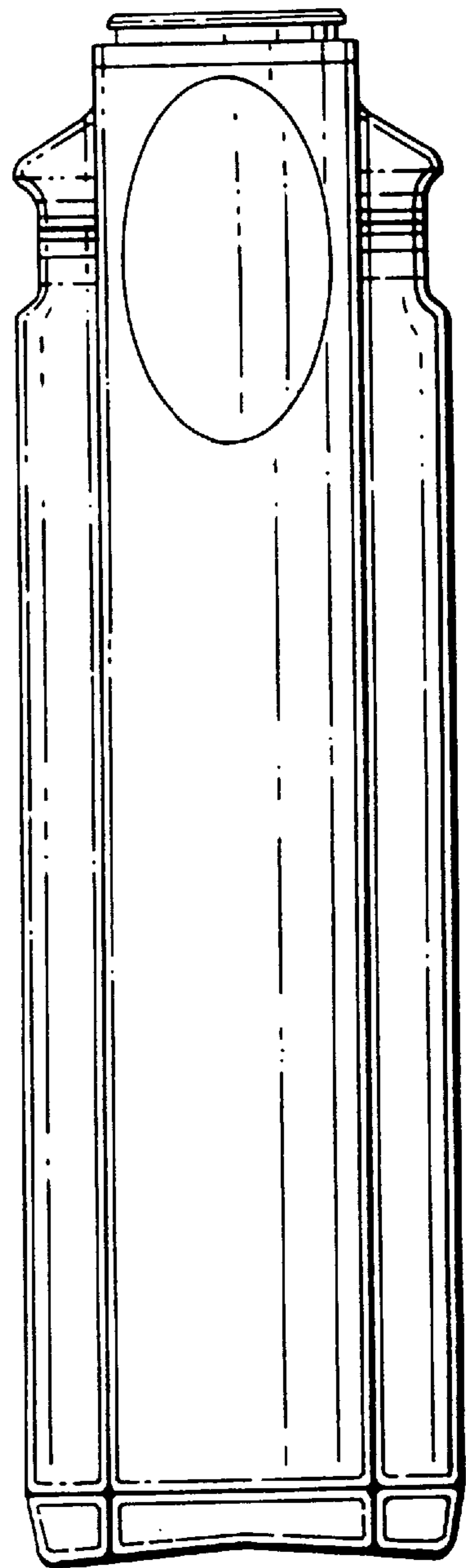


FIG. 3

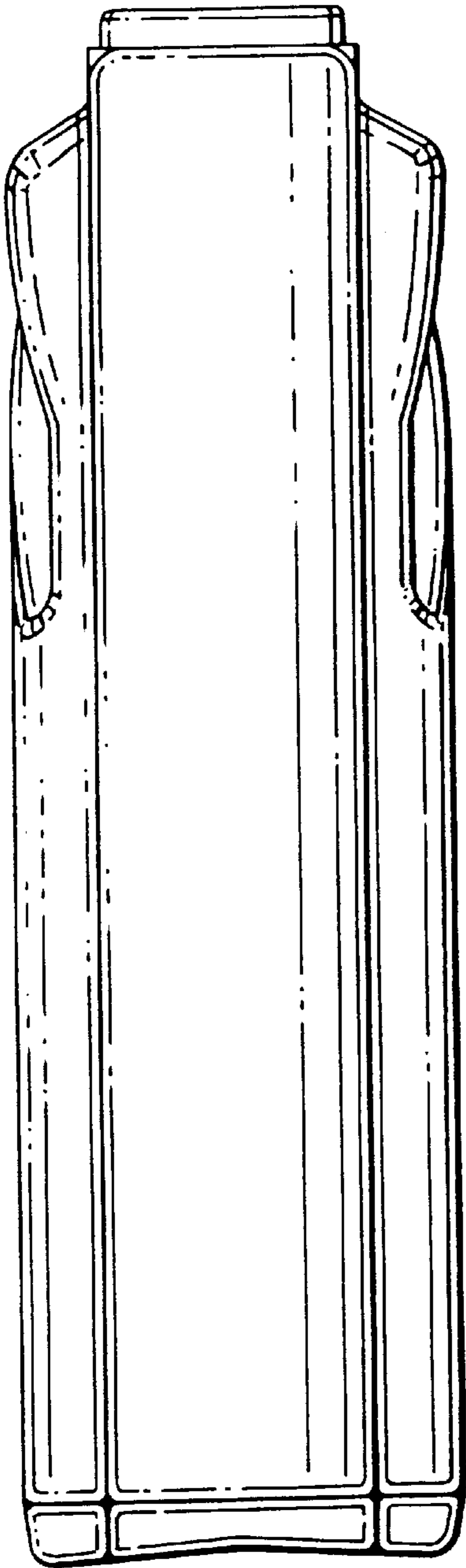


FIG. 4

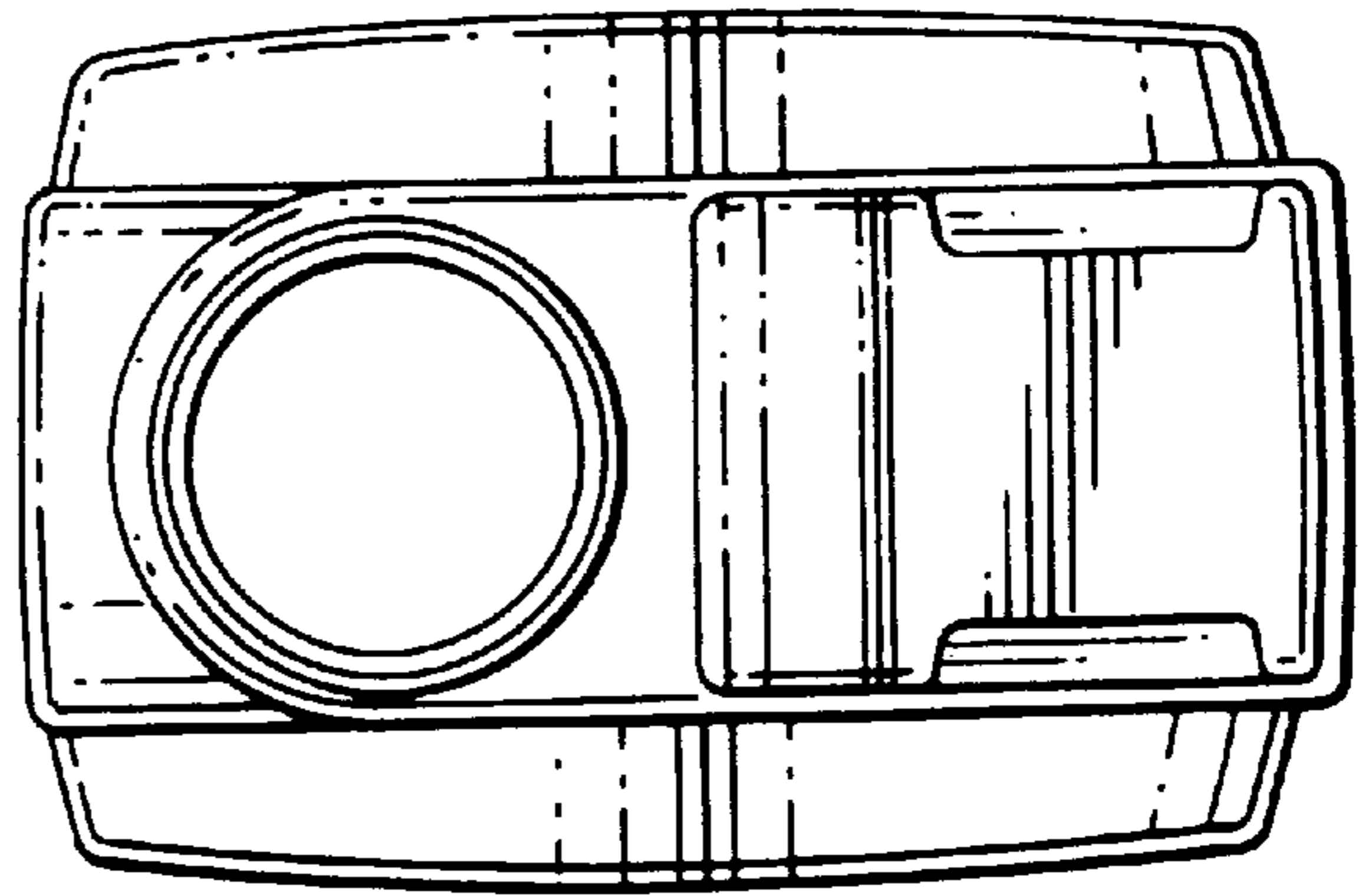


FIG. 5