



US00D435451S

United States Patent [19] Giugiaro

[11] Patent Number: **Des. 435,451**

[45] Date of Patent: **** Dec. 26, 2000**

[54] CONTAINER

[75] Inventor: **Giorgetto Giugiaro**, Turin, Italy

[73] Assignee: **Castrol Limited**, Swindon, United Kingdom

[**] Term: **14 Years**

[21] Appl. No.: **29/094,696**

[22] Filed: **Oct. 8, 1998**

[51] LOC (7) Cl. **09-03**

[52] U.S. Cl. **D9/528**

[58] Field of Search D9/305, 307, 337,
D9/339, 414, 434-435, 500, 502, 516, 520,
523, 527, 528, 530-531, 533, 538, 545,
549, 550, 551, 554, 556-558, 560, 575;
215/370, 382, 383, 384, 396, 398

[56] **References Cited**

U.S. PATENT DOCUMENTS

D. 220,679	5/1971	Finkel	D9/523
D. 306,140	2/1990	Chambers et al.	D9/528
D. 339,066	9/1993	Brown et al.	D9/528
D. 347,387	5/1994	Bridger et al.	D9/528
D. 352,545	11/1994	Raffo	D9/523

D. 358,330	5/1995	Kahl	D9/520
D. 372,871	8/1996	Thiermann et al.	D9/527
D. 377,759	2/1997	Hot	D9/520
D. 377,760	2/1997	Hot	D9/523
D. 387,277	12/1997	Dixon et al.	D9/533
D. 389,743	1/1998	Rausch	D9/527
D. 396,808	8/1998	Maria Camps et al.	D9/528
D. 409,090	5/1999	Lai et al.	D9/528

Primary Examiner—Ted Shooman
Assistant Examiner—Carol Rademaker
Attorney, Agent, or Firm—McAndrews, Held & Malloy

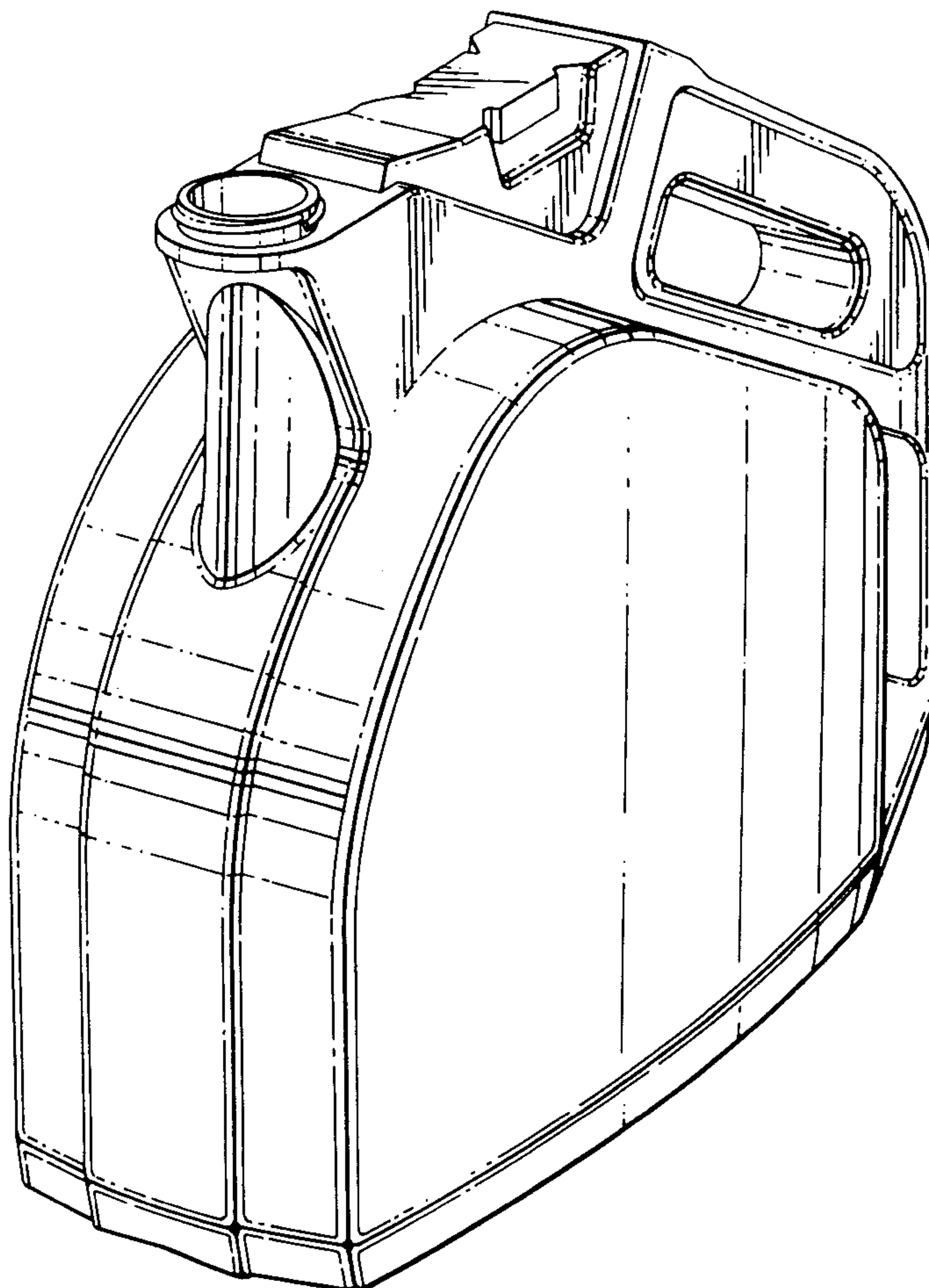
[57] **CLAIM**

The ornamental design for a container, as shown and described.

DESCRIPTION

FIG. 1 is a perspective view of a container according to my new design;
FIG. 2 is a side elevation view of the container of FIG. 1, the opposite side being a mirror image;
FIG. 3 is a front elevation view of the container of FIG. 1;
FIG. 4 is a rear elevation view of the container in FIG. 1; and,
FIG. 5 is a top plan view of the container in FIG. 1.

1 Claim, 4 Drawing Sheets



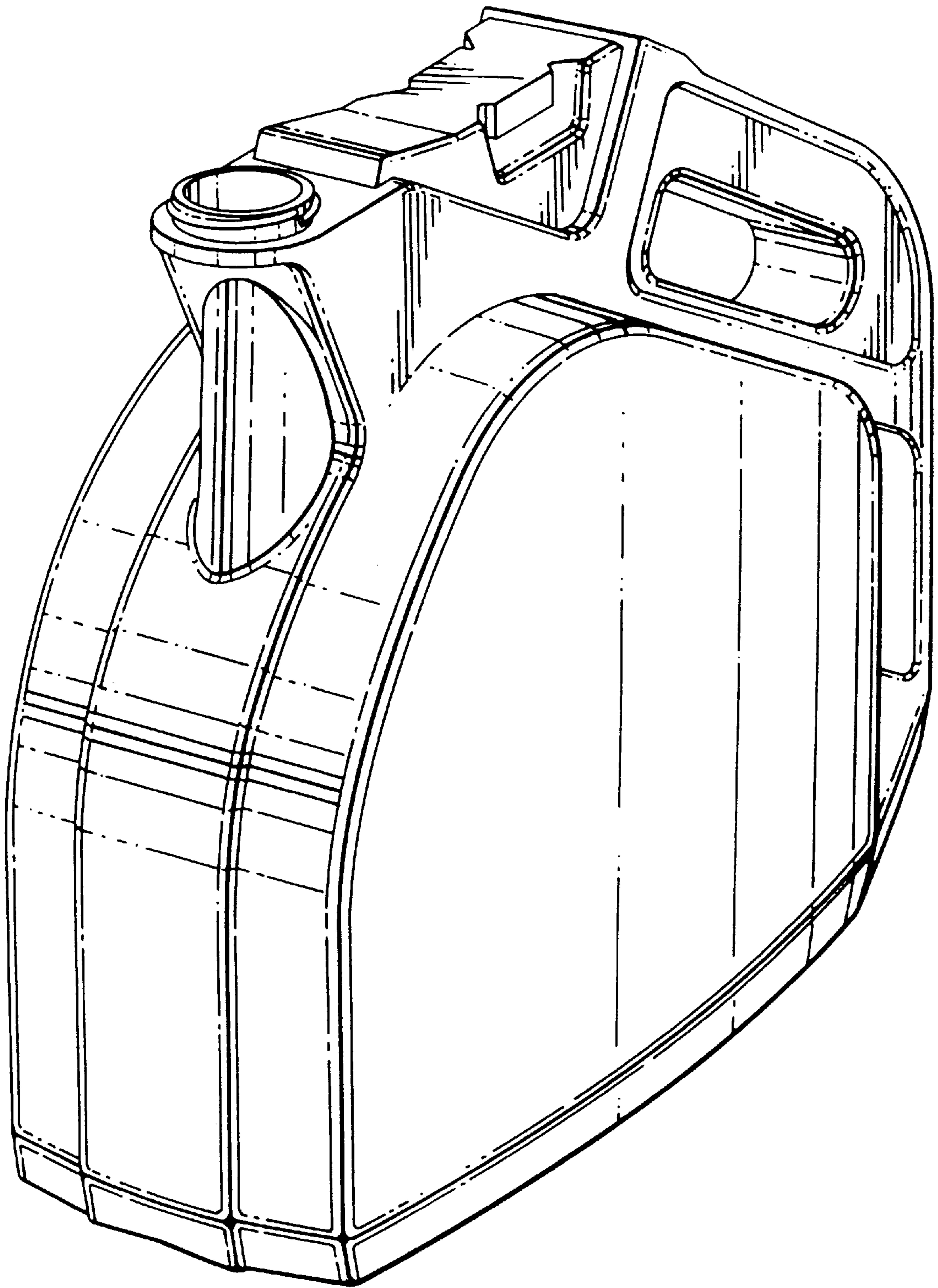


FIG. 1

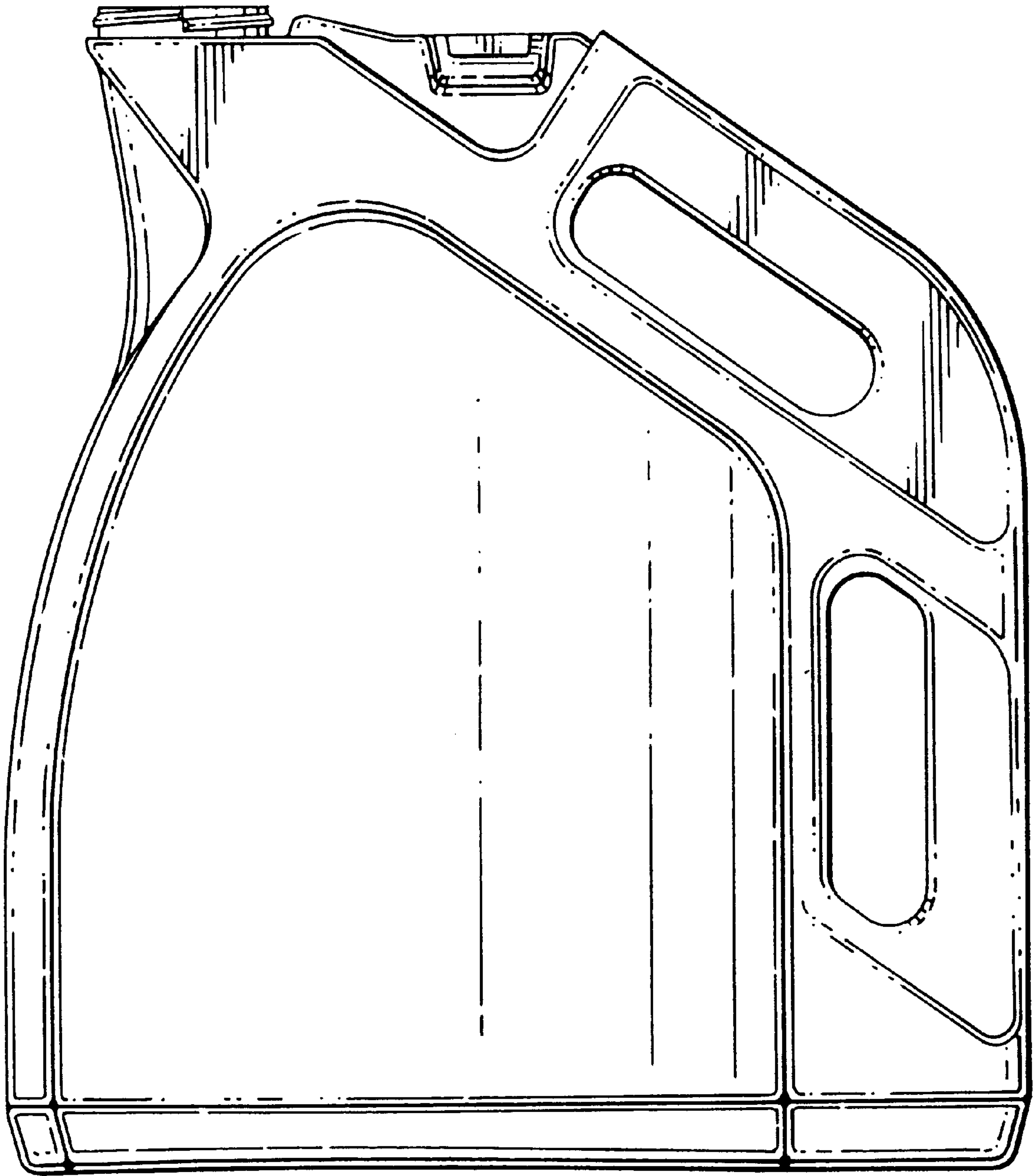


FIG. 2

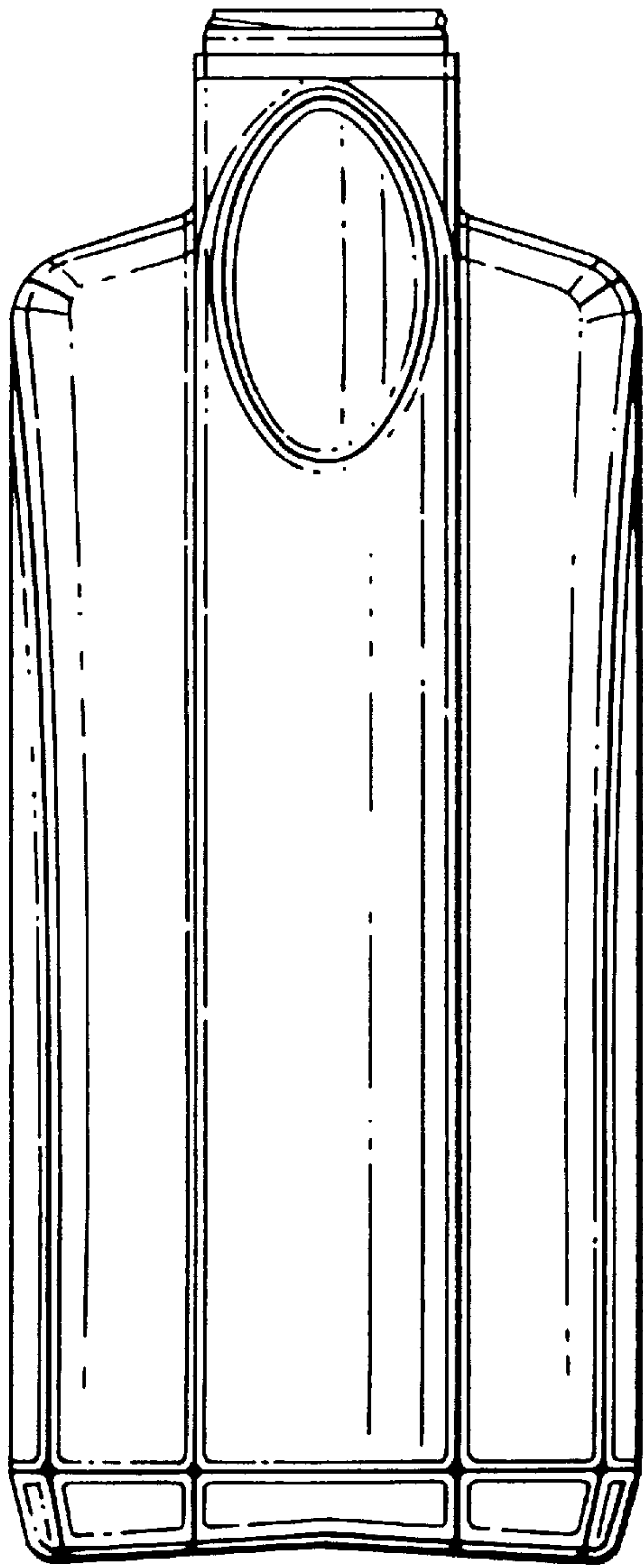


FIG. 3

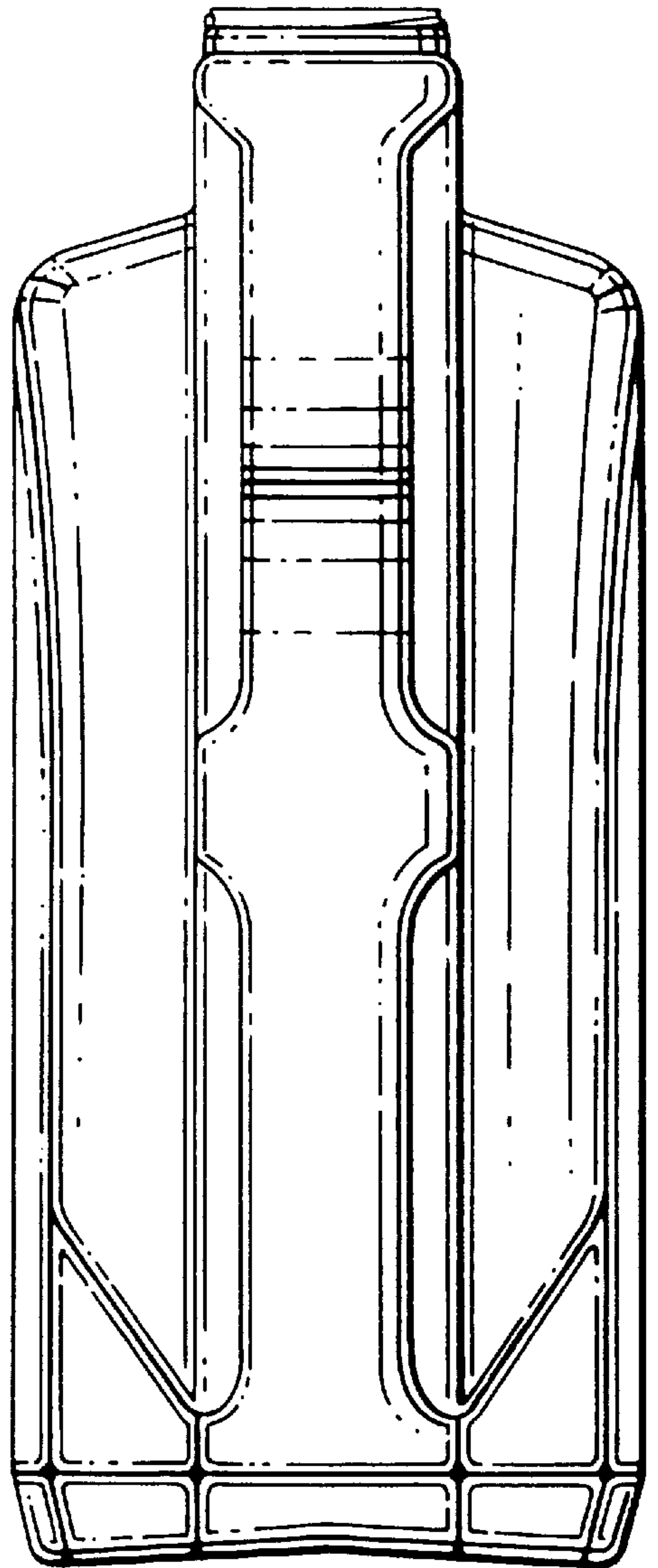


FIG. 4

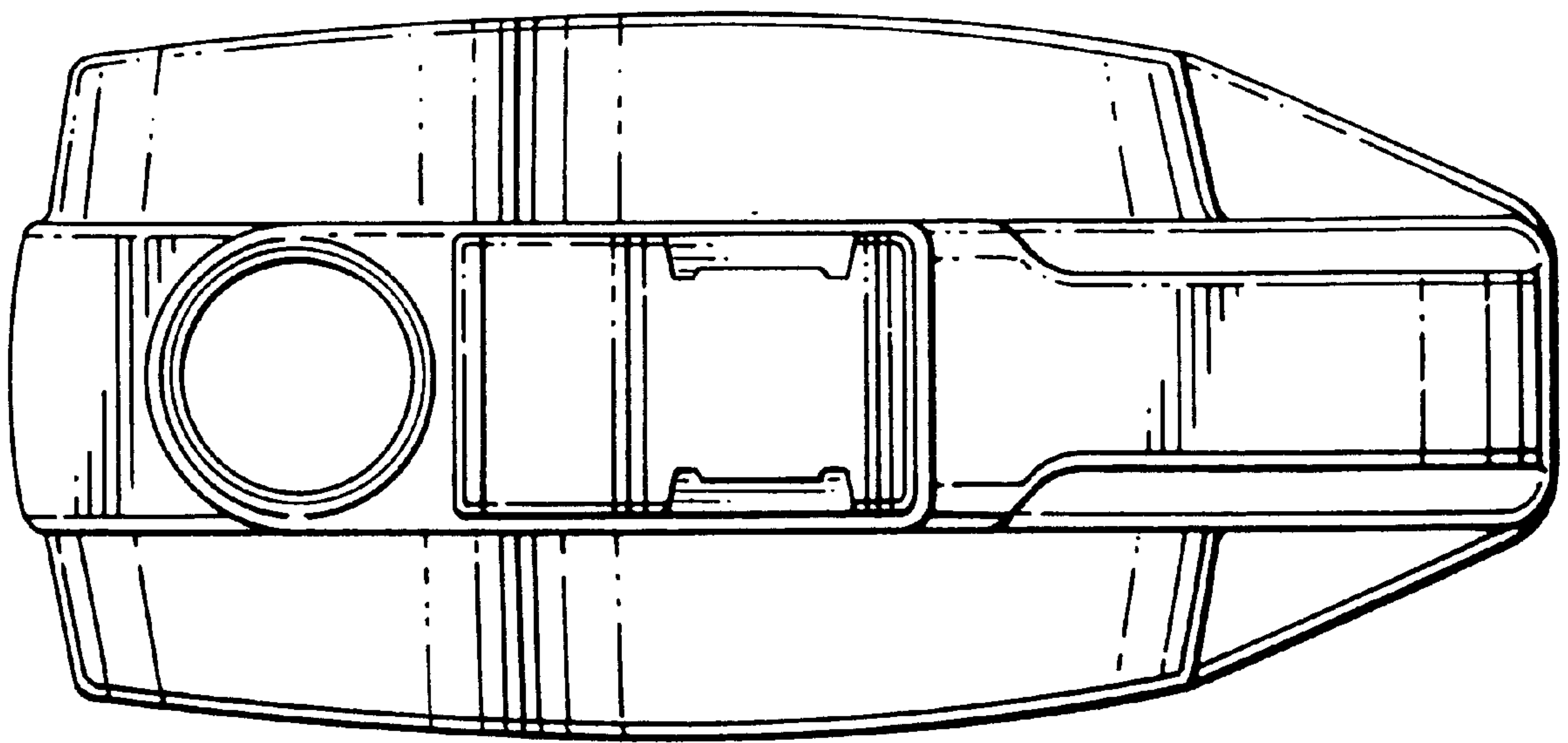


FIG. 5