



US00D435447S

**United States Patent** [19]  
**Lee**

[11] **Patent Number: Des. 435,447**

[45] **Date of Patent: \*\* Dec. 26, 2000**

[54] **CAP**

[75] Inventor: **Yu-Kang Lee**, Taipei, Taiwan

[73] Assignee: **Jung Kuo Enterprise Co., Ltd.**, Taipei, Taiwan

[\*\*] Term: **14 Years**

[21] Appl. No.: **29/112,178**

[22] Filed: **Oct. 13, 1999**

[51] **LOC (7) Cl.** ..... **09-07**

[52] **U.S. Cl.** ..... **D9/448**

[58] **Field of Search** ..... D9/300, 301, 440,  
D9/447, 448, 449; 222/153.11-153.14,  
320, 321.1, 321.7, 321.8, 321.9

[56] **References Cited**

**U.S. PATENT DOCUMENTS**

D. 352,657	11/1994	Gonda et al.	.....	D9/300
D. 366,834	2/1996	Reid	.....	D9/447
D. 419,446	1/2000	Durliat	.....	D9/448

*Primary Examiner*—Cathron B. Matta  
*Attorney, Agent, or Firm*—Rosenberg, Klein & Lee

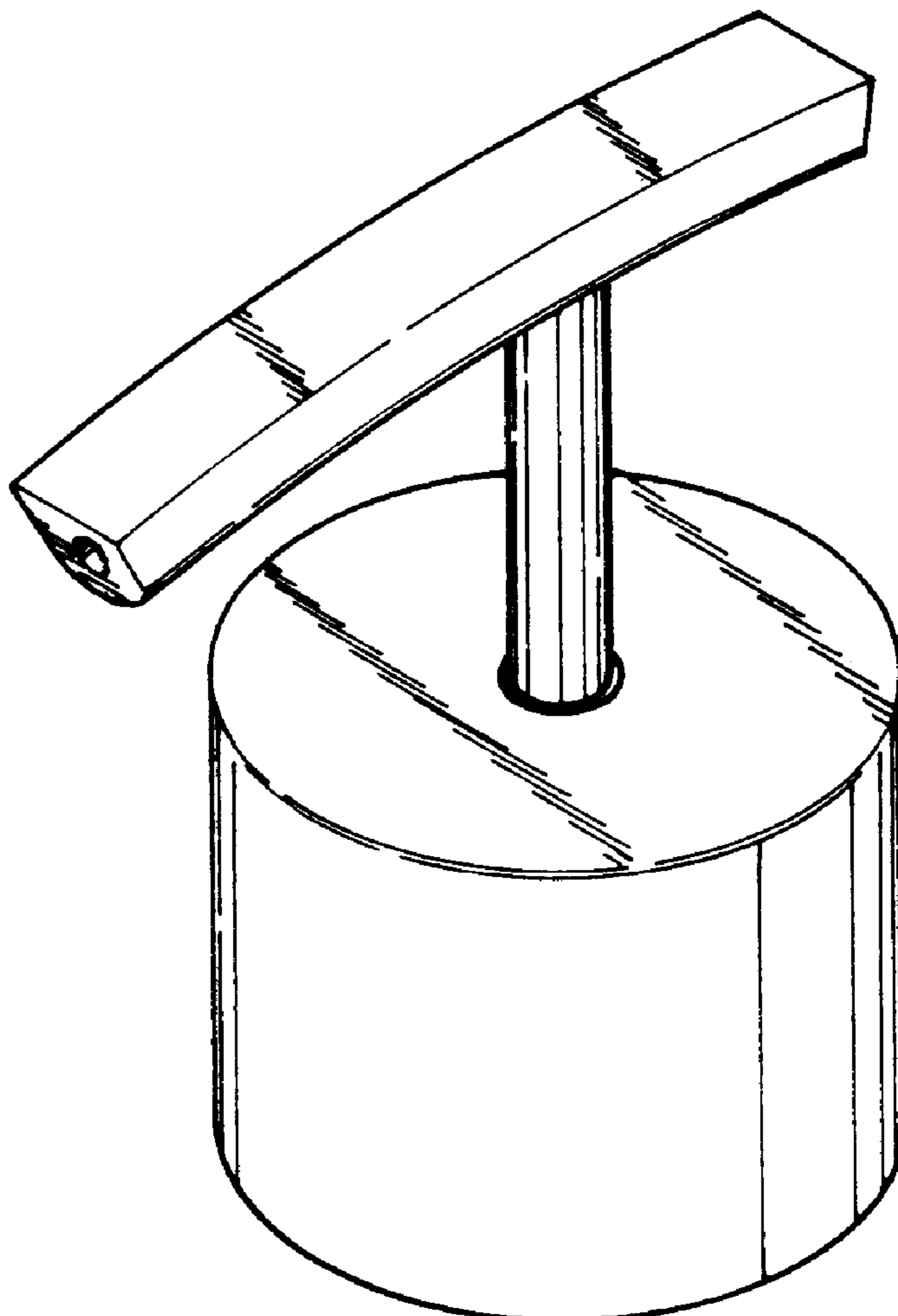
[57] **CLAIM**

The ornamental design for a cap, as shown and described.

**DESCRIPTION**

FIG. 1 is a perspective view of a cap showing my new design;  
FIG. 2 is a front elevational view thereof;  
FIG. 3 is a rear elevational view thereof;  
FIG. 4 is a left side elevational view thereof;  
FIG. 5 is a right side elevational view thereof;  
FIG. 6 is a top plan view thereof;  
FIG. 7 is a bottom plan view thereof, with the interior of the cap shown in broken lines and forming no part of the claimed design; and,  
FIG. 8 is a perspective view of the cap, with the broken line showing of a bottle being for illustrative purposes only and forming no part of the claimed design.

**1 Claim, 5 Drawing Sheets**



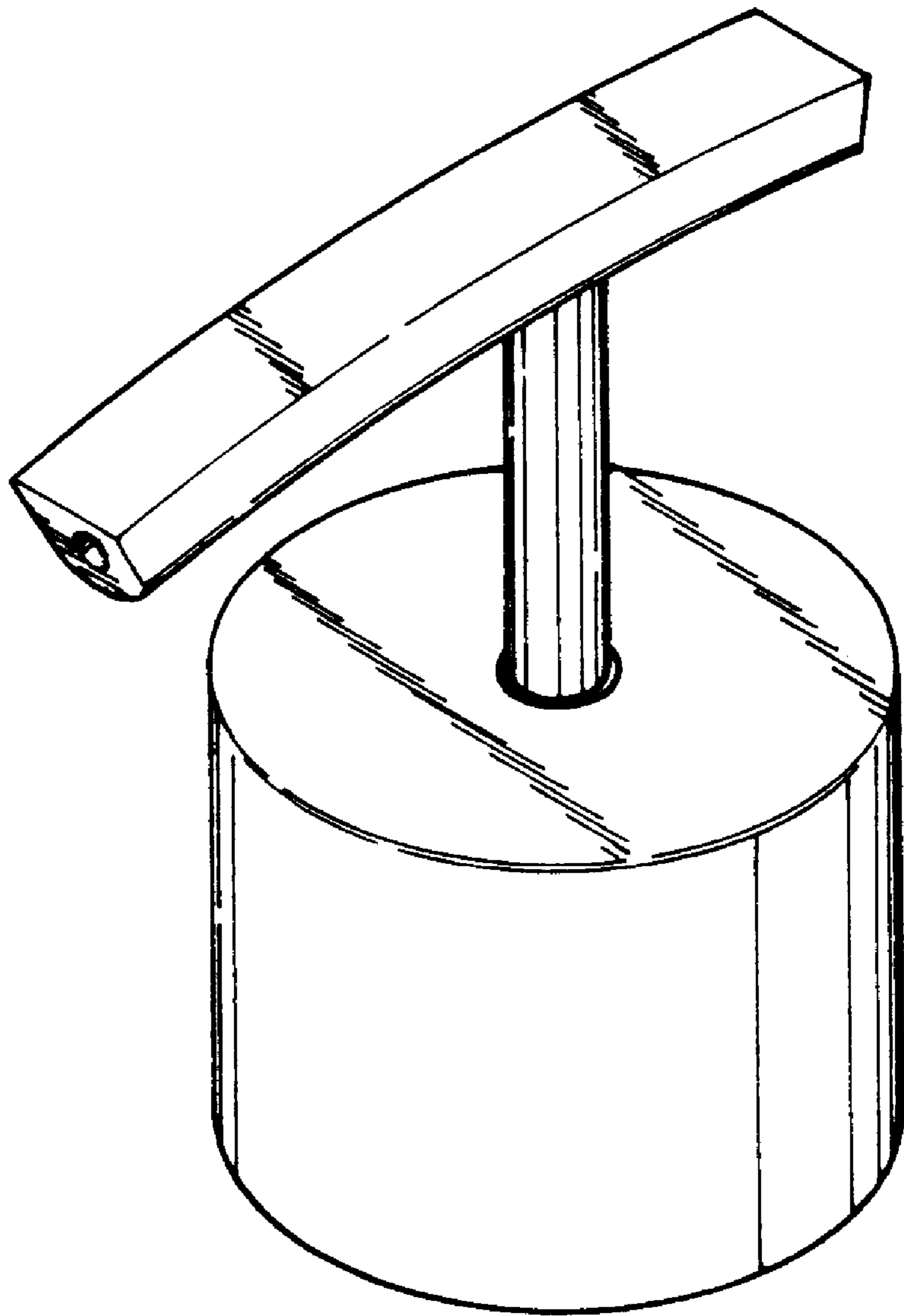


FIG. 1

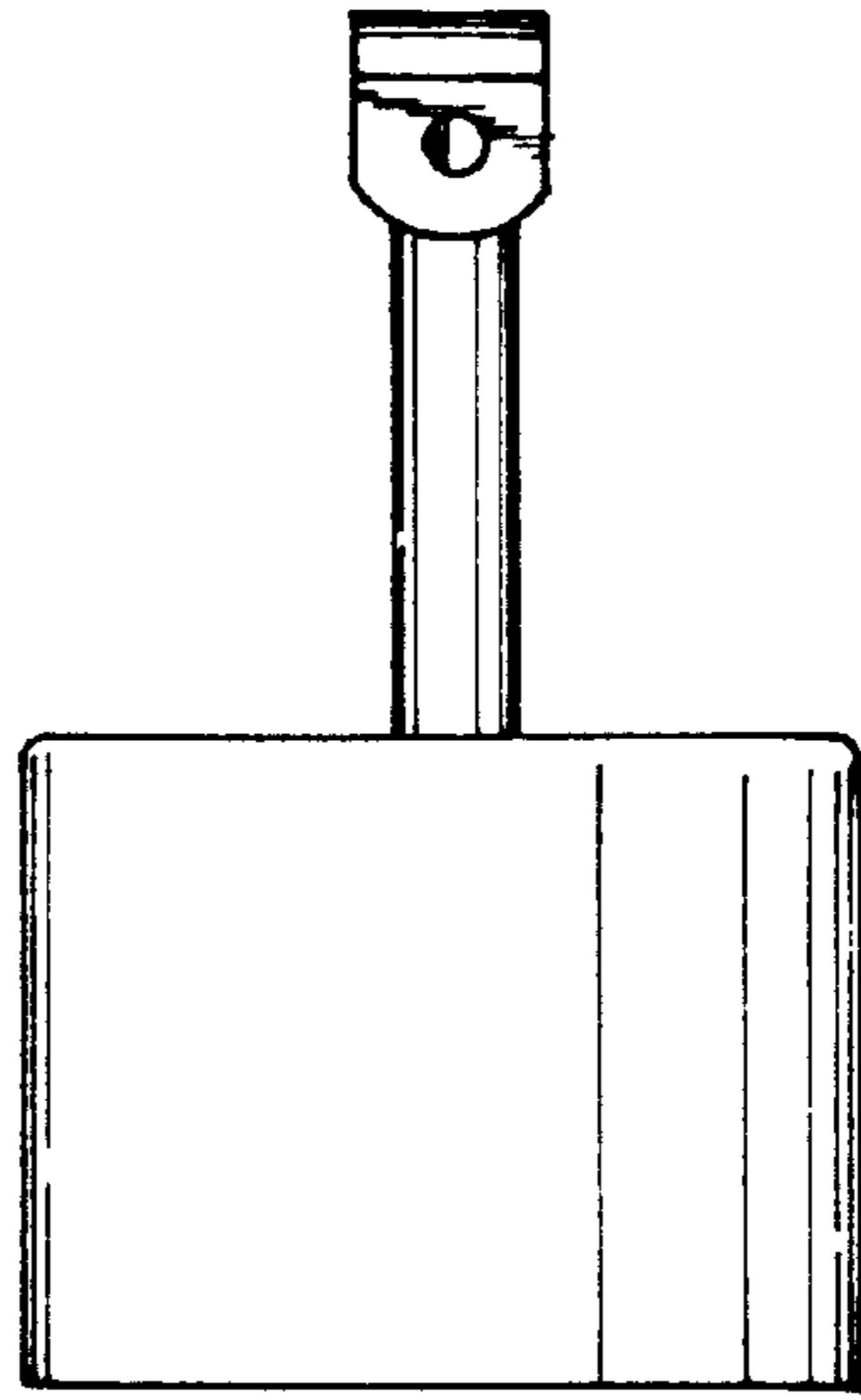


FIG. 2

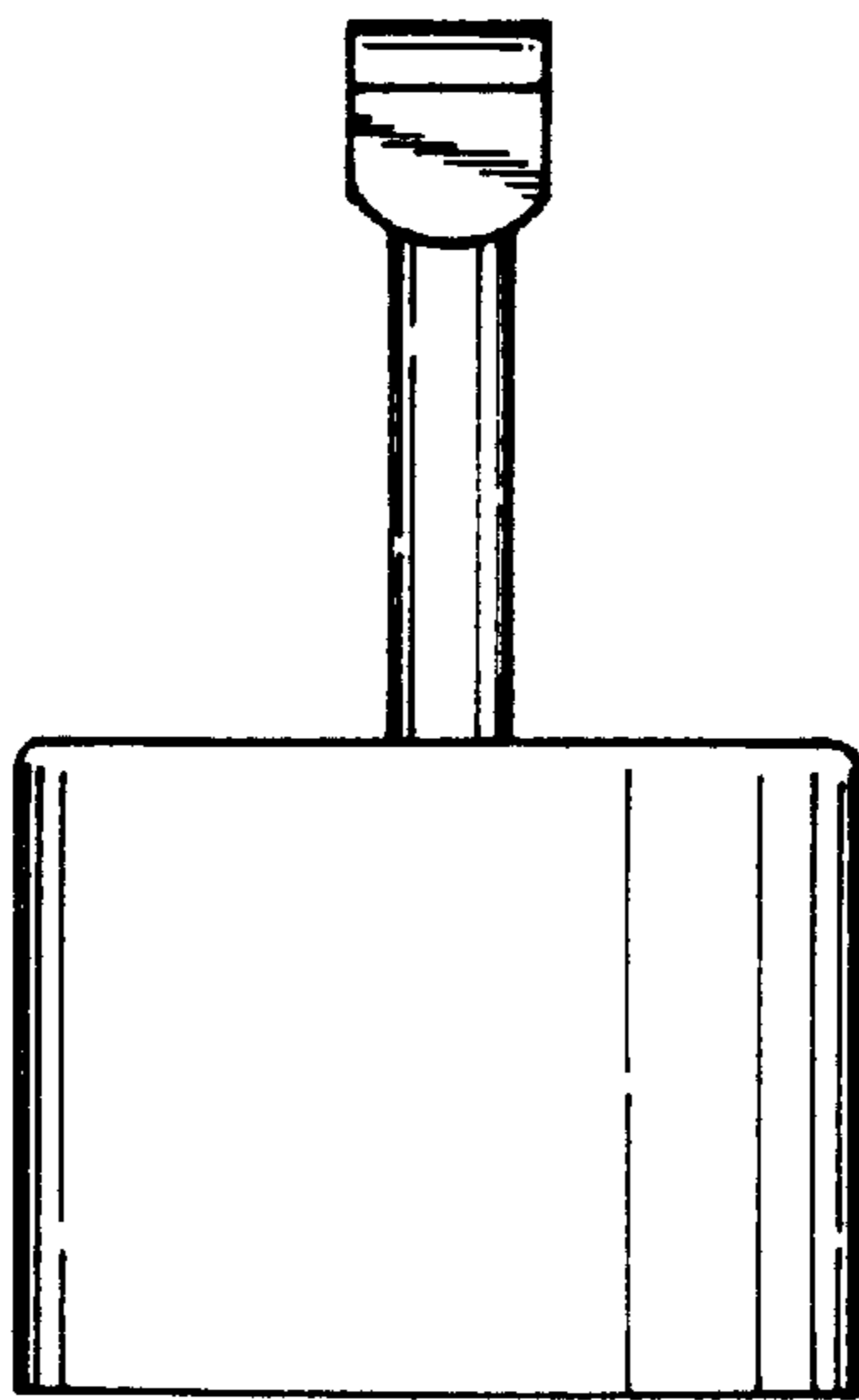
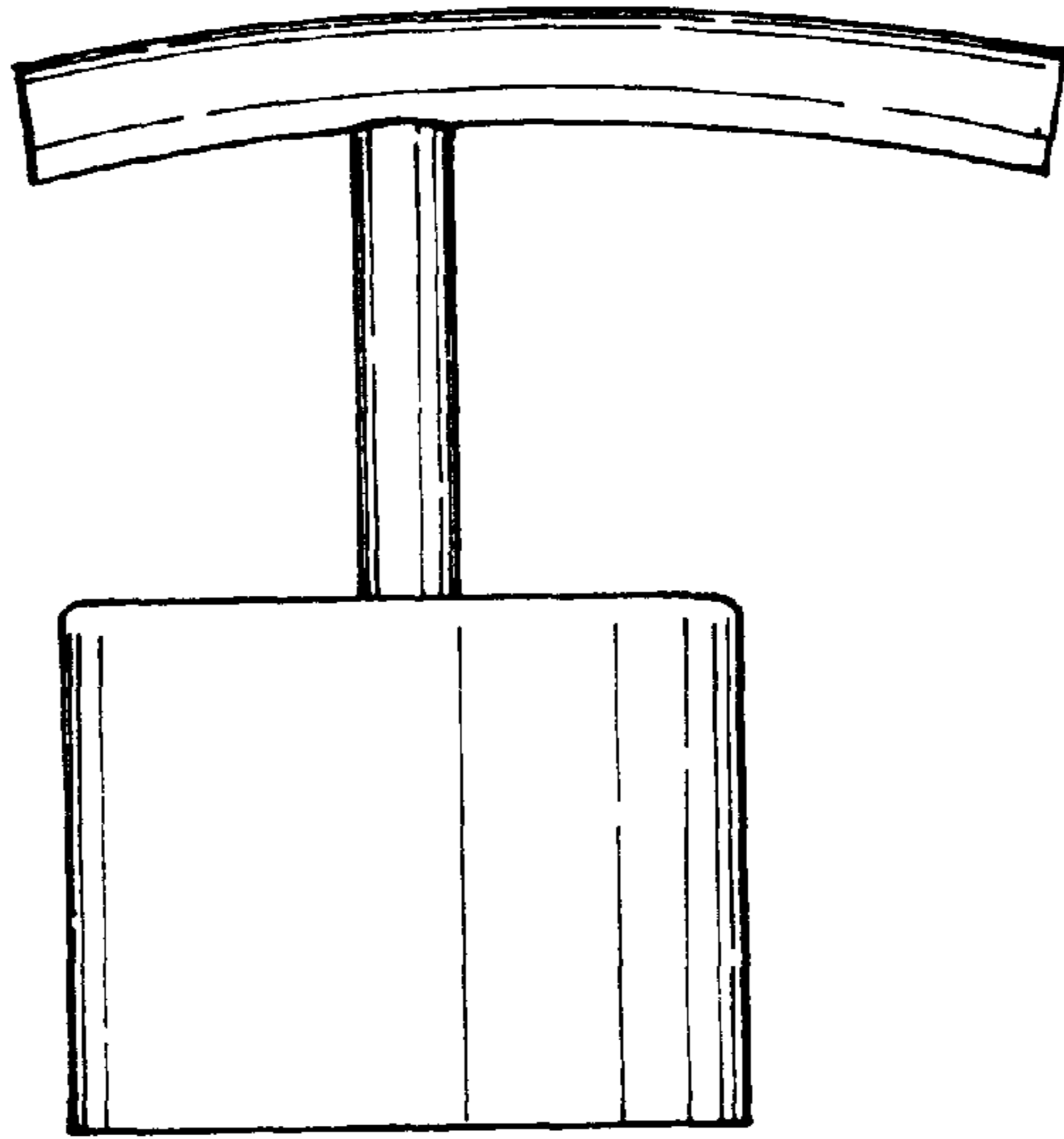
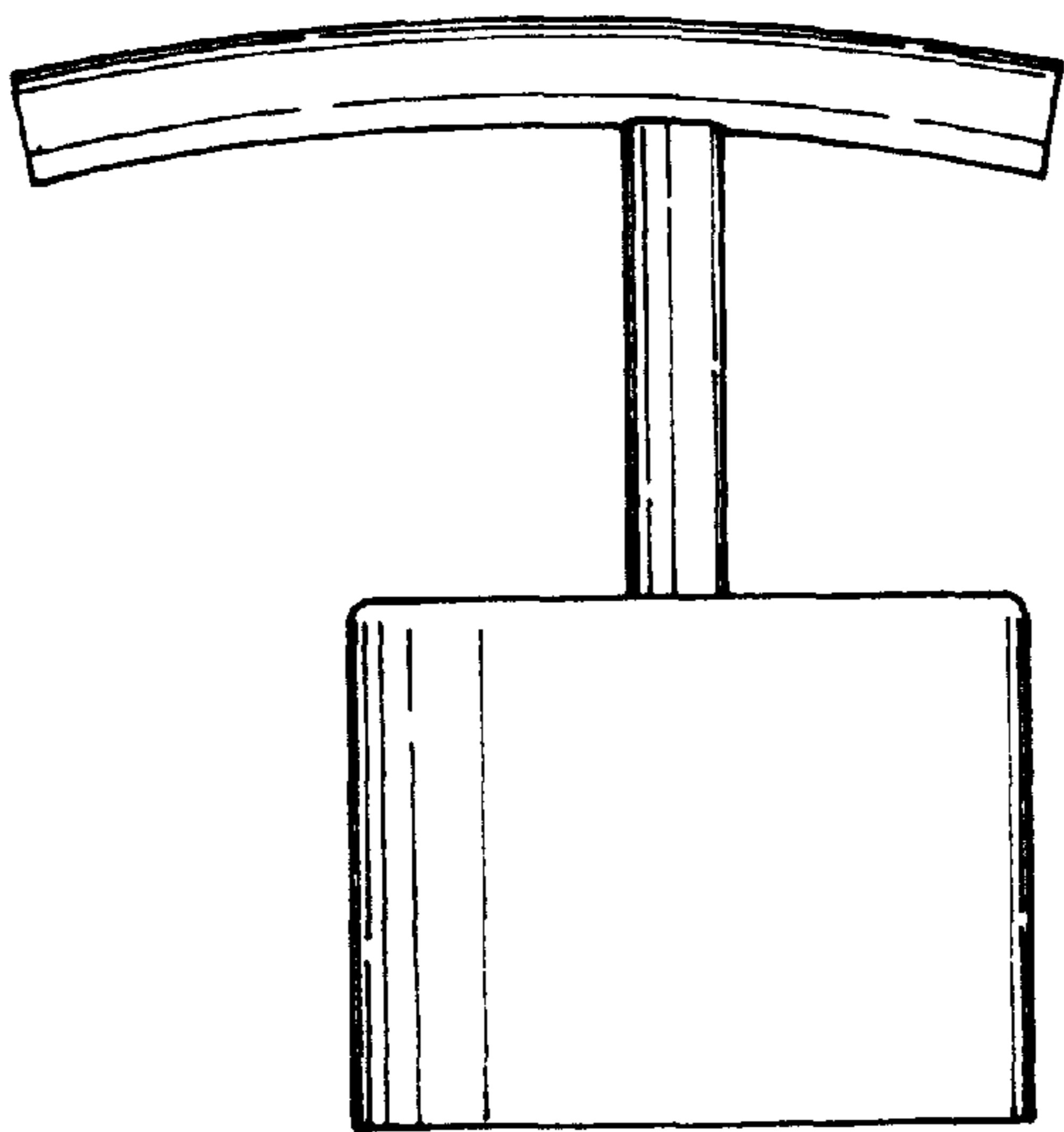


FIG. 3



F I G . 4



F I G . 5

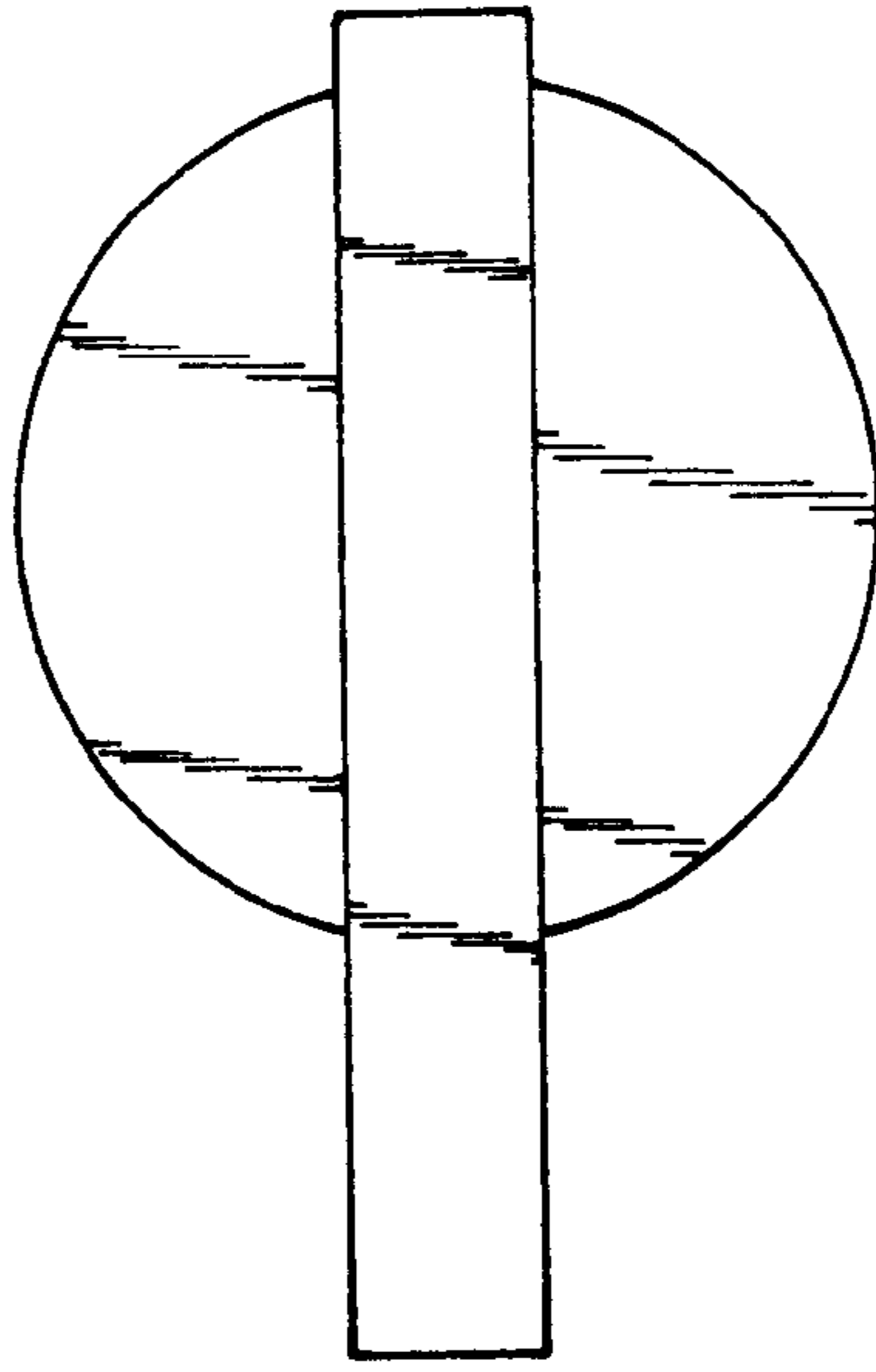


FIG. 6

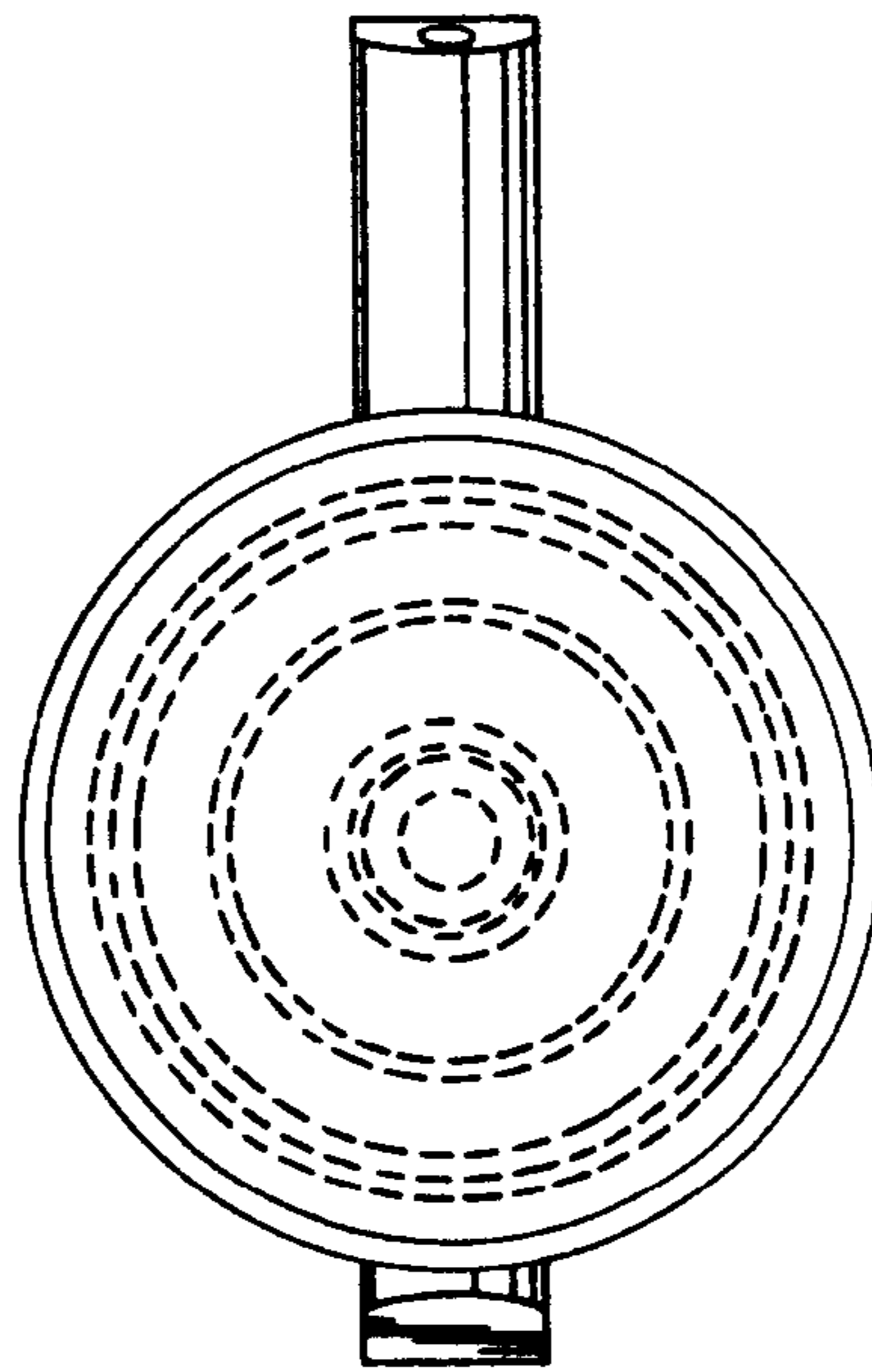


FIG. 7

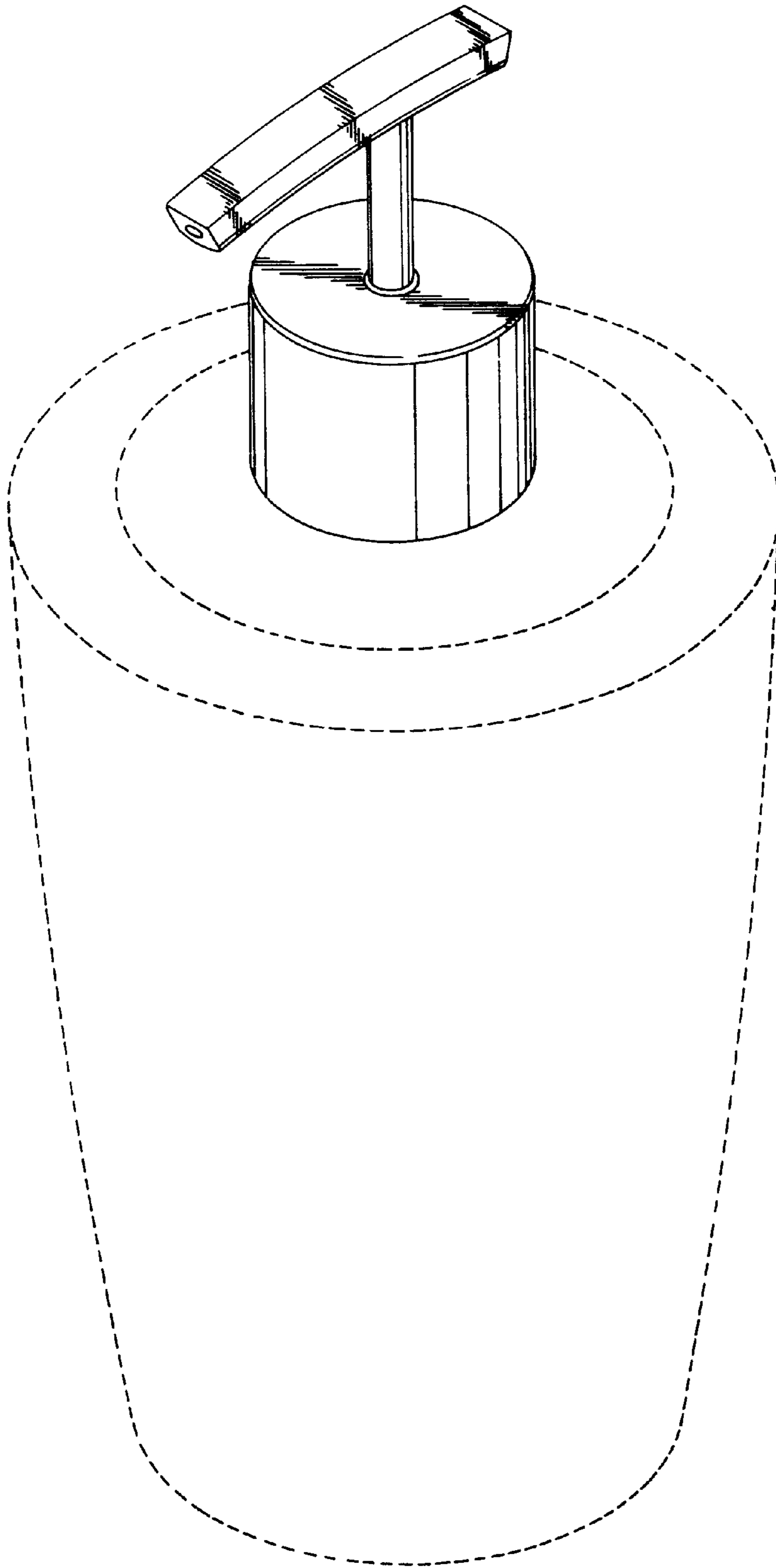


FIG. 8