



US00D435445S

United States Patent [19]

Arai et al.

[11] Patent Number: **Des. 435,445**

[45] Date of Patent: **** Dec. 26, 2000**

[54] **DOSING COVER**

[75] Inventors: **Nilson Satoshi Arai; Sandro Bragoni,**
both of Sao Paulo, Brazil

[73] Assignee: **Unilever Home & Personal Care**
USA, division of Conopco, Inc.,
Greenwich, Conn.

[**] Term: **14 Years**

[21] Appl. No.: **29/117,094**

[22] Filed: **Jan. 18, 2000**

[30] **Foreign Application Priority Data**

Jul. 22, 1999 [BR] Brazil 5901232

[51] **LOC (7) Cl.** **09-07**

[52] **U.S. Cl.** **D9/447**

[58] **Field of Search** D9/435, 437, 440,
D9/447, 449; D7/392, 398; 222/109, 110,
111, 544, 553, 556, 566, 567, 568

[56] **References Cited**

U.S. PATENT DOCUMENTS

D. 278,033 3/1985 Borkan et al. D9/437

D. 292,489 10/1987 Kowollik et al. D9/447
D. 292,490 10/1987 Kowollik et al. D9/447
D. 292,491 10/1987 Ross et al. D9/447
D. 425,792 5/2000 Haller D9/447
4,860,907 8/1989 Sondal 215/256
5,855,299 1/1999 Arnold et al. 222/109
5,954,237 9/1999 Lampe et al. 222/556

Primary Examiner—Cathron Brooks
Attorney, Agent, or Firm—Alan A. Bornstein

[57] **CLAIM**

The ornamental design for a dosing cover, as shown.

DESCRIPTION

FIG. 1: depicts a front side view of the dosing cover, which is the object of the present design.
FIG. 2 depicts a top perspective view of the dosing cover of FIG. 1.
FIG. 3 depicts a bottom perspective view of the dosing cover of FIG. 1.
FIG. 4 depicts a lateral side view of the dosing cover of FIG. 1.
FIG. 5 depicts a top view of the dosing cover of FIG. 1; and, FIG. 6 depicts a bottom view of the dosing cover of FIG. 1.

1 Claim, 3 Drawing Sheets

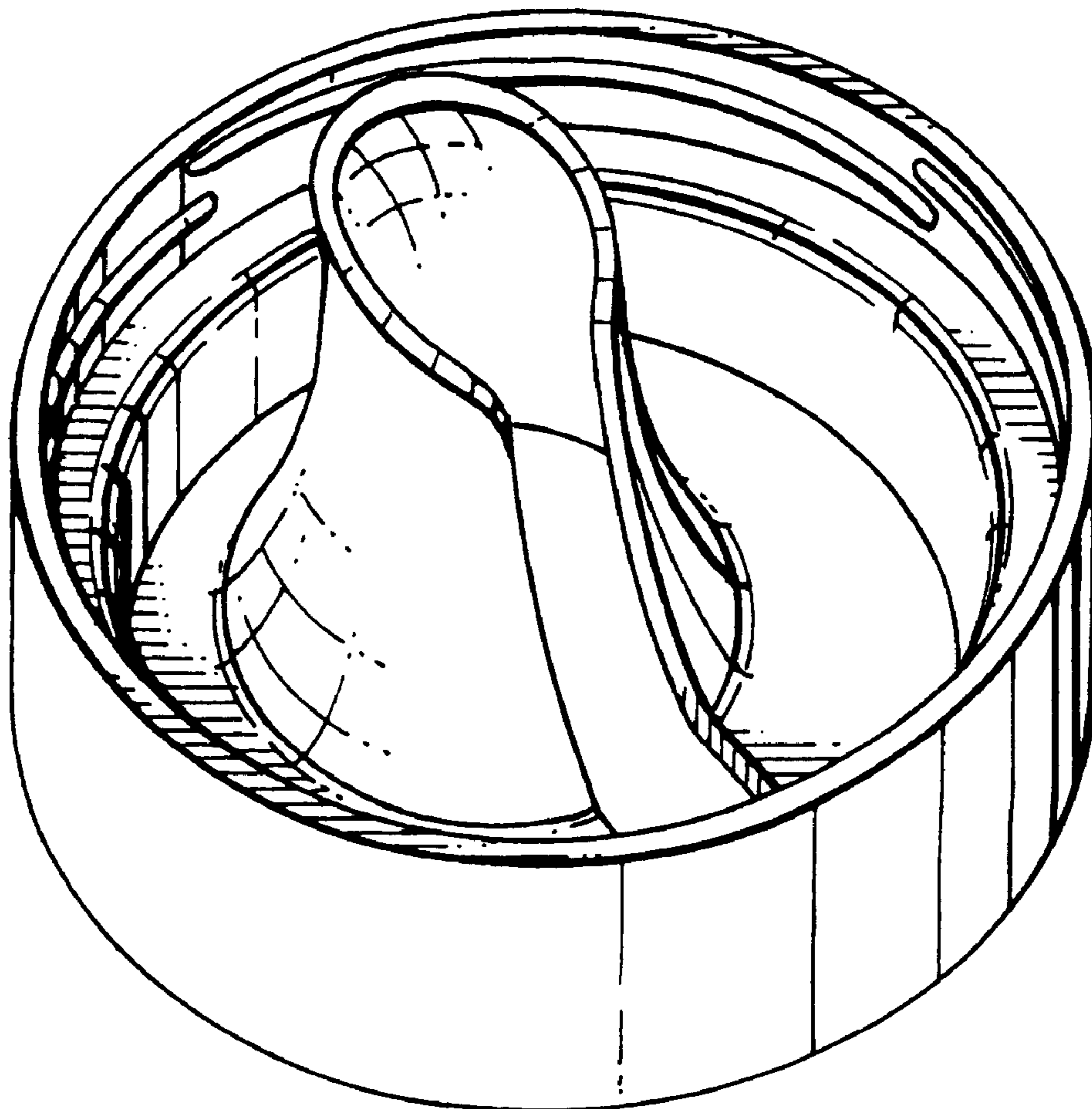


Fig.1.

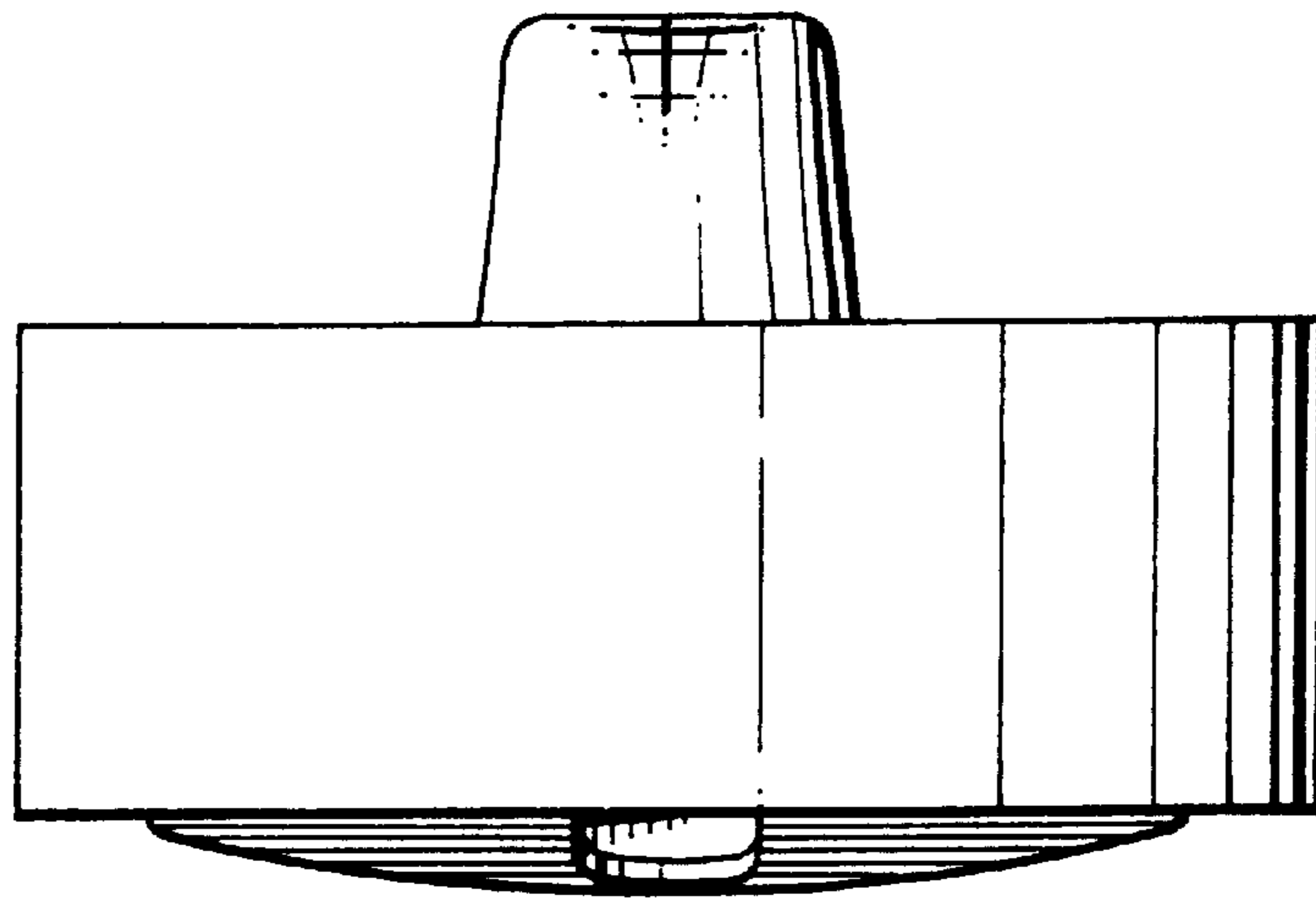


Fig.2.

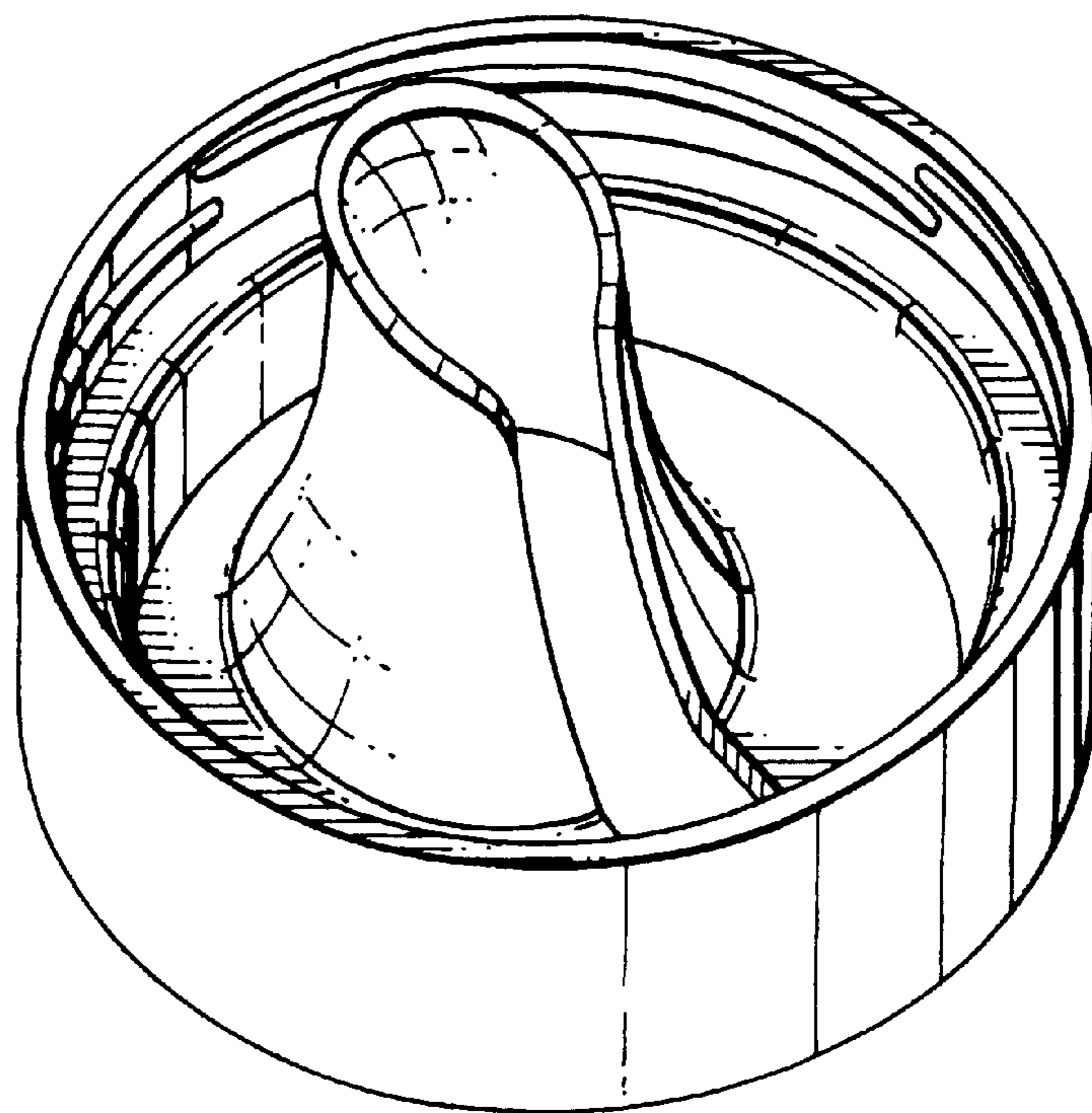


Fig.3.

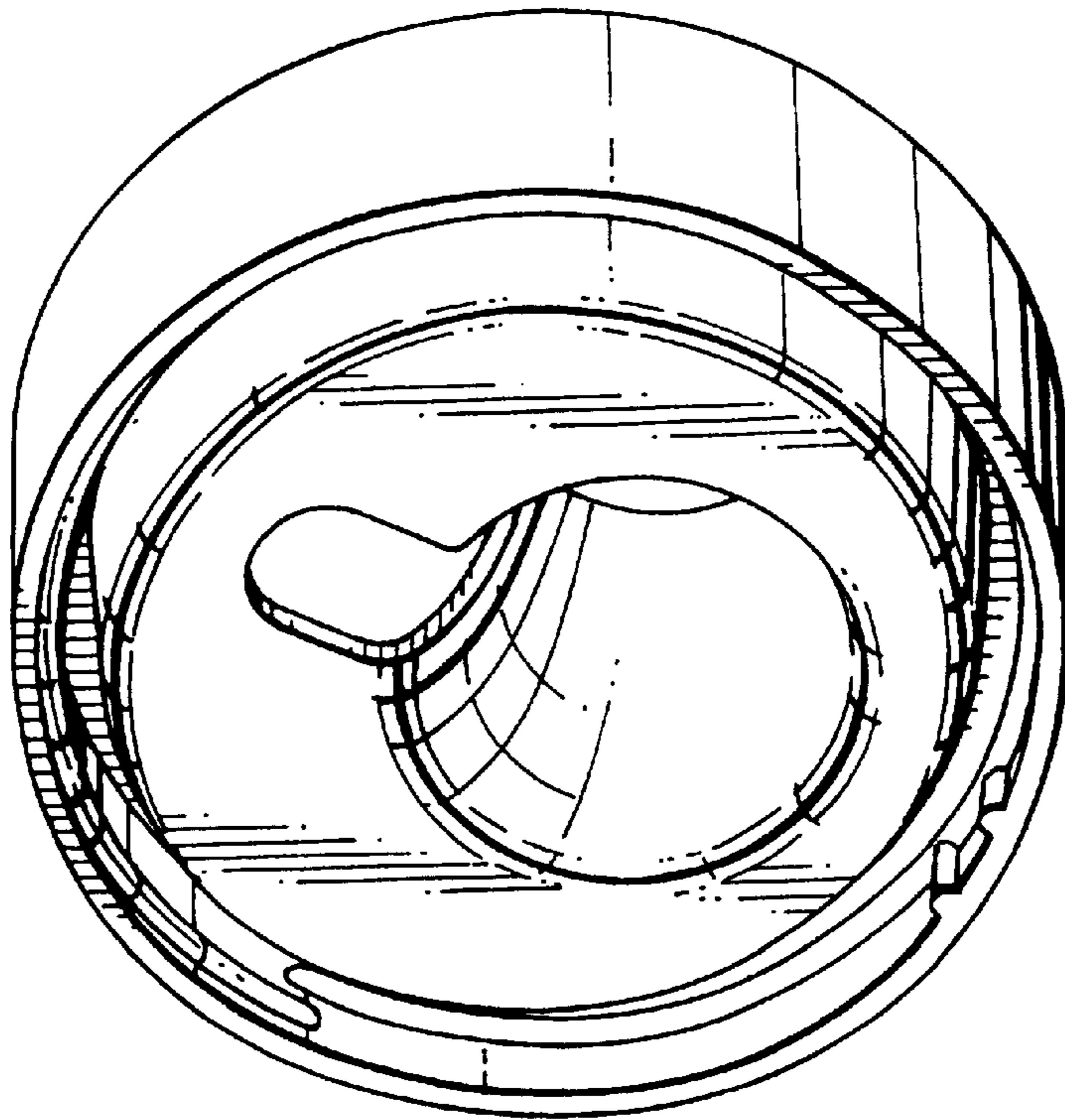


Fig.4.

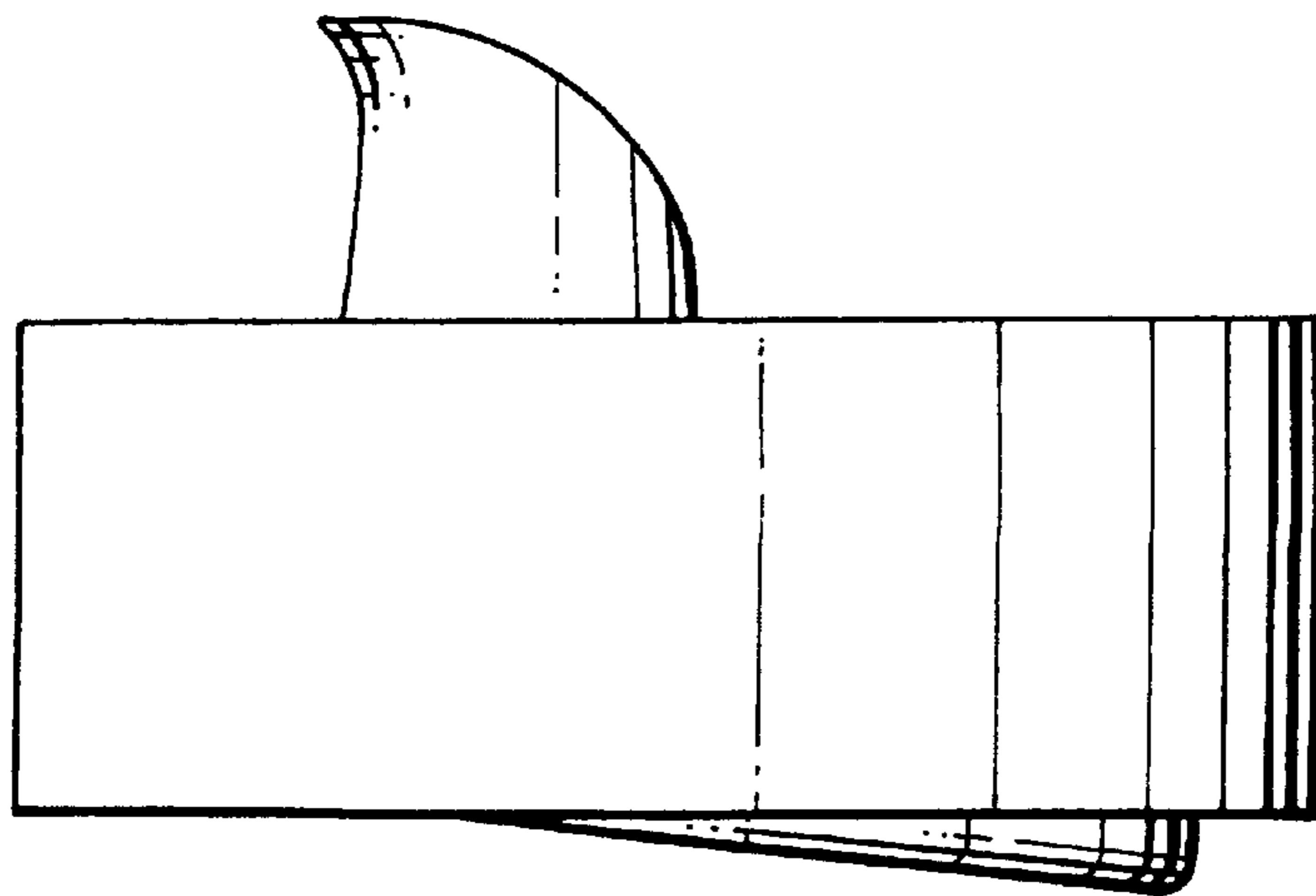


Fig.5.

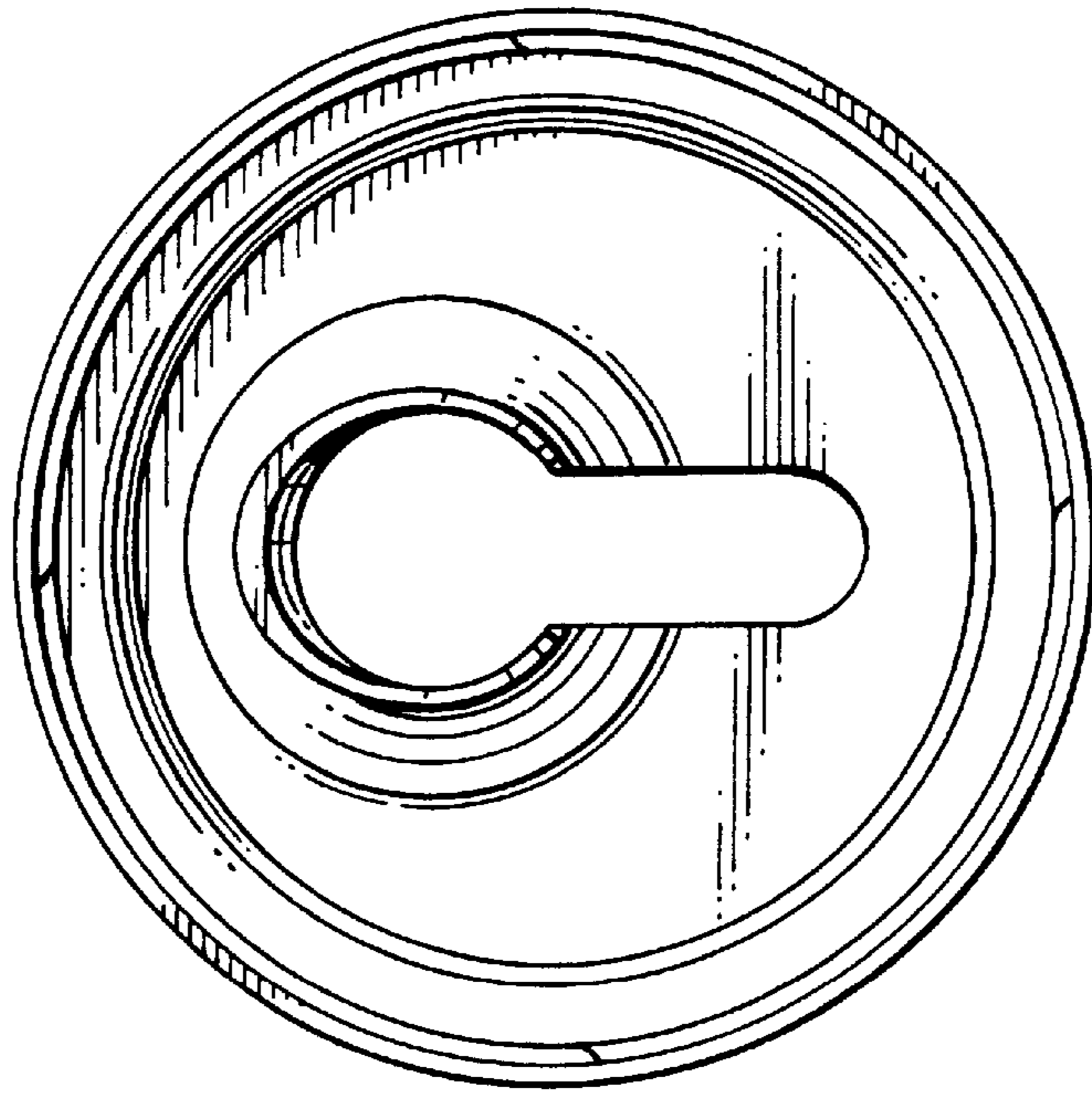


Fig.6.

