



US00D435439S

United States Patent [19]

Jaffé et al.

[11] Patent Number: Des. 435,439

[45] Date of Patent: ** Dec. 26, 2000

[54] FOOD PACKAGING

[76] Inventors: **Jeremy Jaffé**, Lower Ground Floor, 111 Moore Park Road, London, United Kingdom, SW6 4PS; **Rolf de Polla**, Golden Acres, Woolfords Lane, Elstead, Surrey, United Kingdom, GU8 6LL

[**] Term: 14 Years

[21] Appl. No.: 29/109,595

[22] Filed: Aug. 18, 1999

[30] Foreign Application Priority Data

Feb. 19, 1999 [GB] United Kingdom 2081337

[51] LOC (7) Cl. 09-05

[52] U.S. Cl. D9/305; D9/414; D9/430; D9/433

[58] Field of Search D7/601, 504; D9/337, D9/341, 345, 346, 414, 305, 306, 430-433; 206/822; 229/116.1, 938; 426/112; D1/102, 199

[56] References Cited

U.S. PATENT DOCUMENTS

- D. 211,043 5/1968 Kay D7/504
- D. 314,887 2/1991 Tomaras D7/601
- D. 395,201 6/1998 Cherney et al. D7/601

- 1,844,066 2/1932 Hughes 426/112
- 3,355,082 11/1967 Wood 229/938
- 3,446,416 5/1969 Epstein 229/938
- 4,189,054 2/1980 Liu et al. 229/938
- 4,511,039 4/1985 Siemek 229/938
- 4,938,515 7/1990 Fazio D7/601
- 5,314,113 5/1994 Irigoite et al. 229/938
- 5,860,587 1/1999 Young 229/938

Primary Examiner—James Gandy
Assistant Examiner—Carol Rademaker
Attorney, Agent, or Firm—Robin, Blecker & Daley

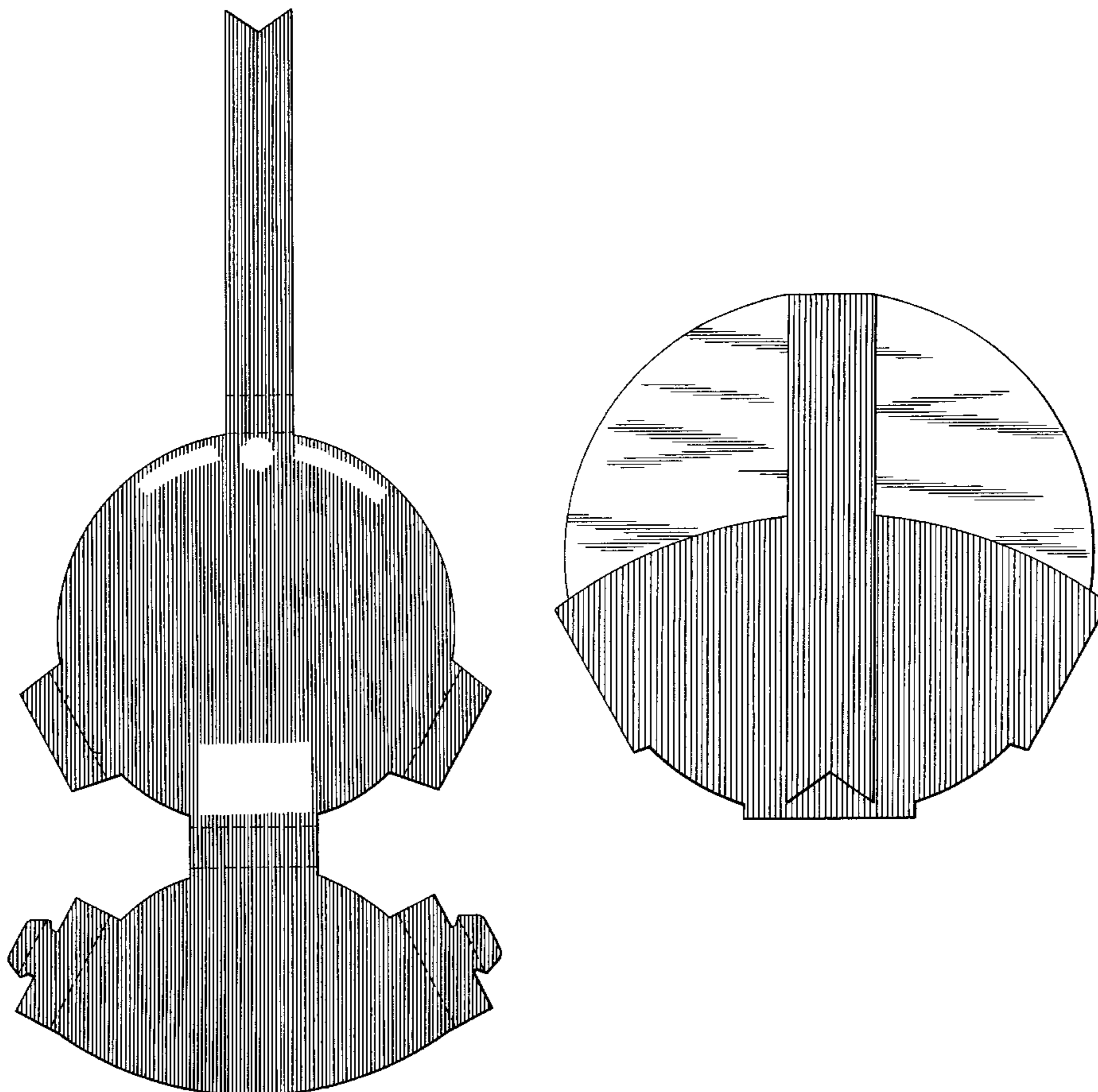
[57] CLAIM

The ornamental design for food packaging, as shown and described.

DESCRIPTION

FIG. 1 is a plan view of food packaging showing our new design in unassembled form;
FIG. 2 is a front view thereof in assembled form;
FIG. 3 is a rear view thereof in assembled form;
FIG. 4 is a side view thereof in assembled form;
FIG. 5 is a top view thereof in assembled form; and,
FIG. 6 is a bottom view thereof in assembled form.
The broken lines shown on FIG. 1 represent fold lines.
The pattern of parallel lines shown in FIGS. 1-6 represent stripes.

1 Claim, 3 Drawing Sheets



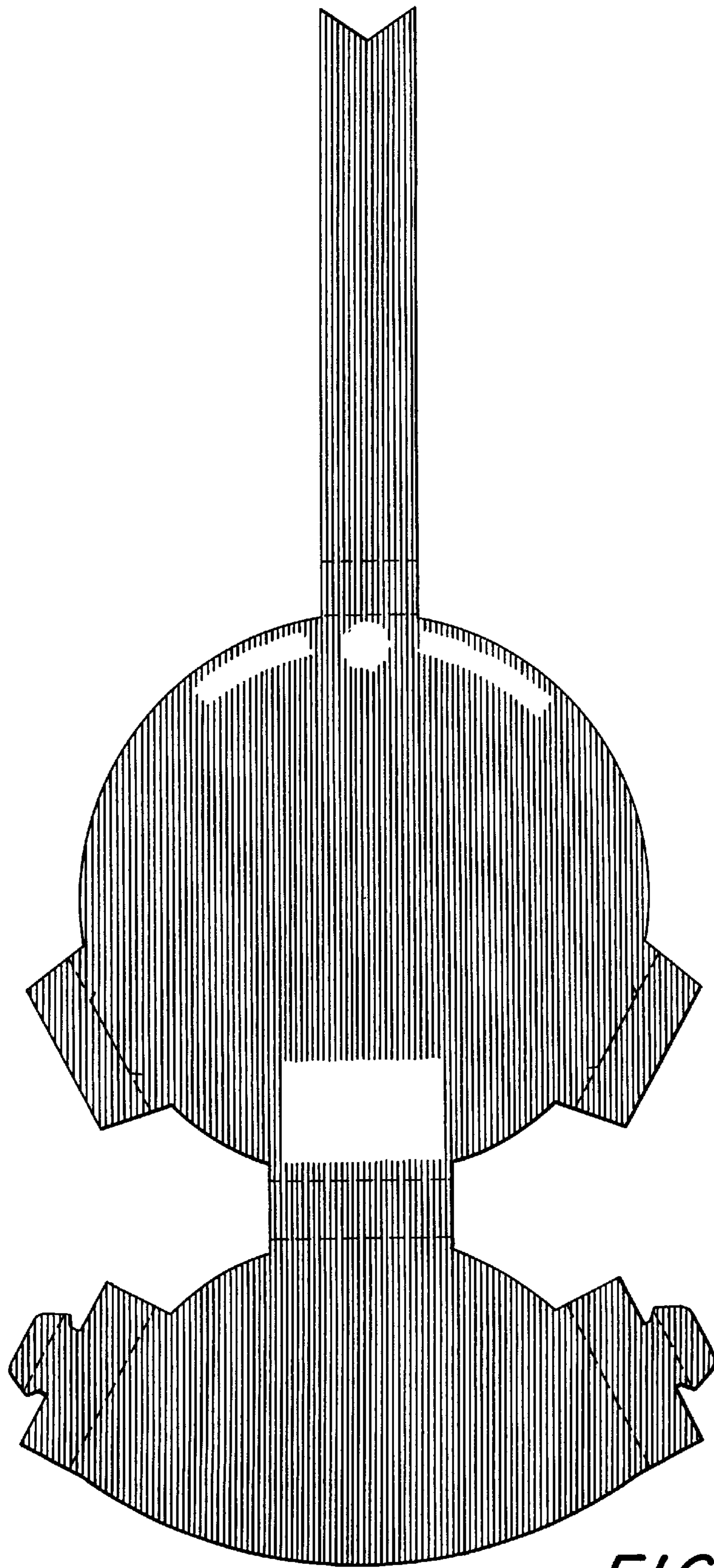


FIG. 1

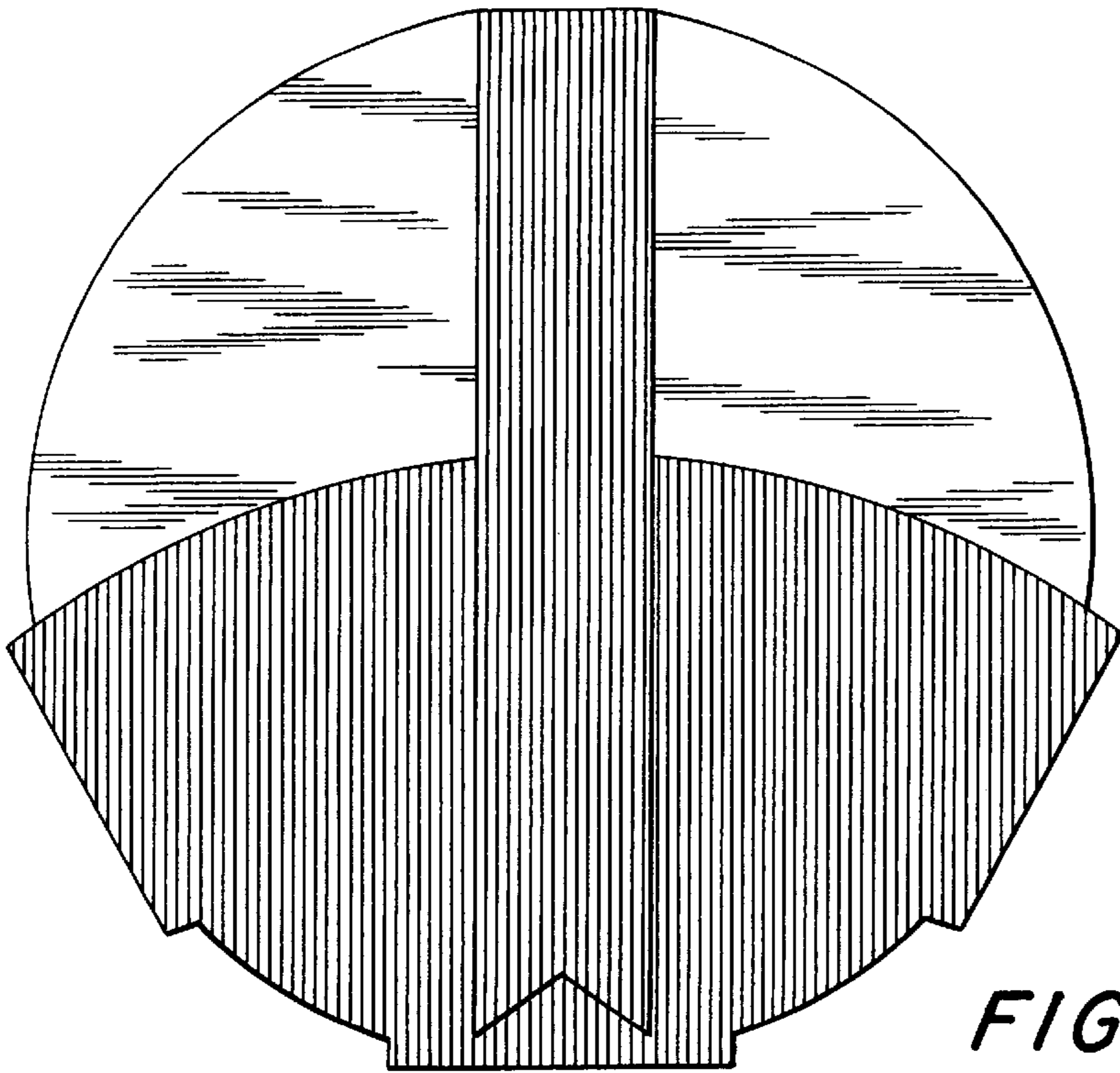


FIG. 2

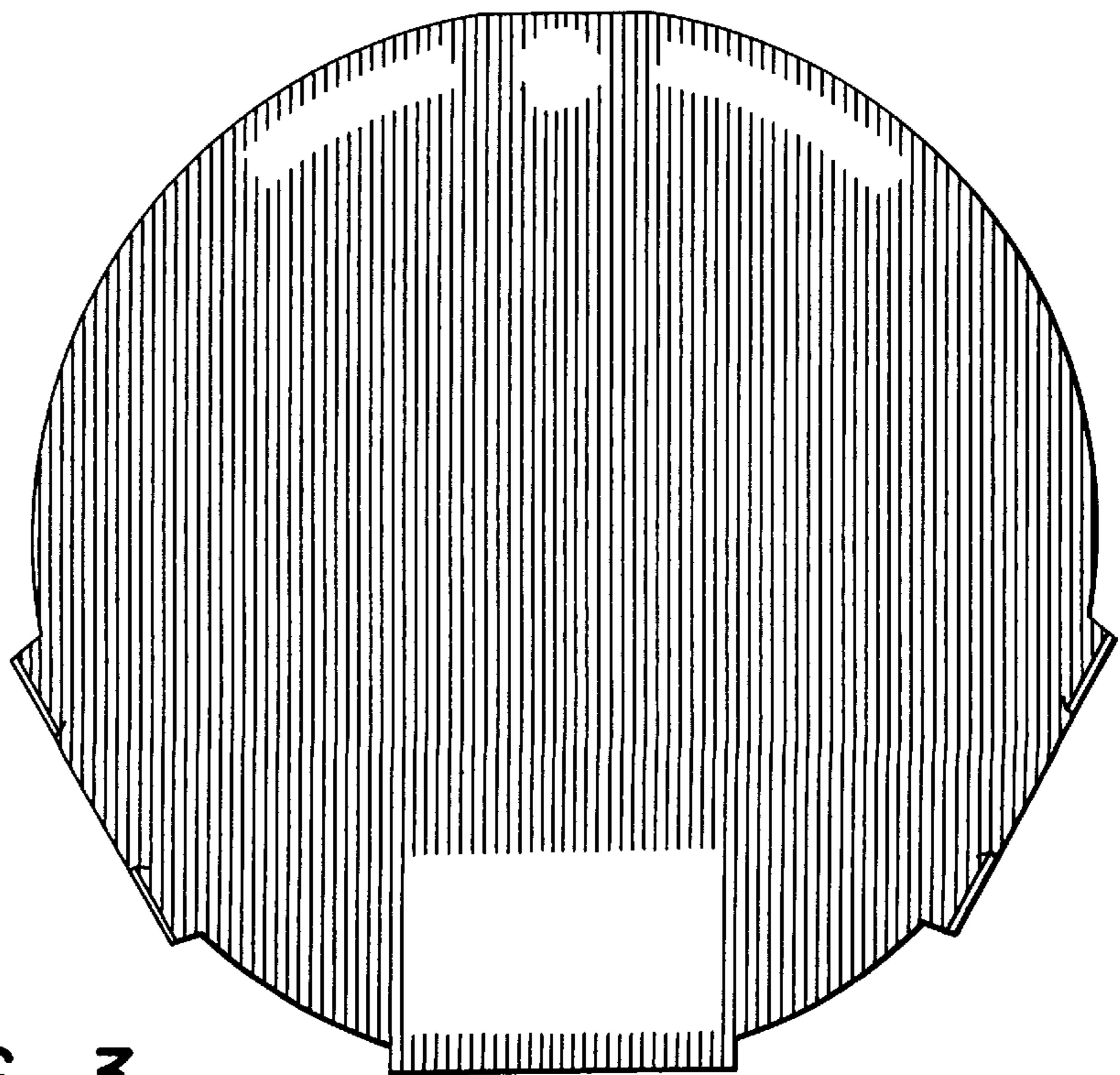


FIG. 3



FIG. 5

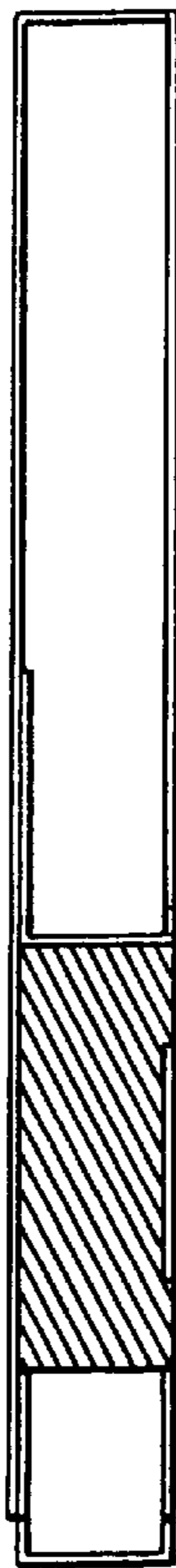


FIG. 4

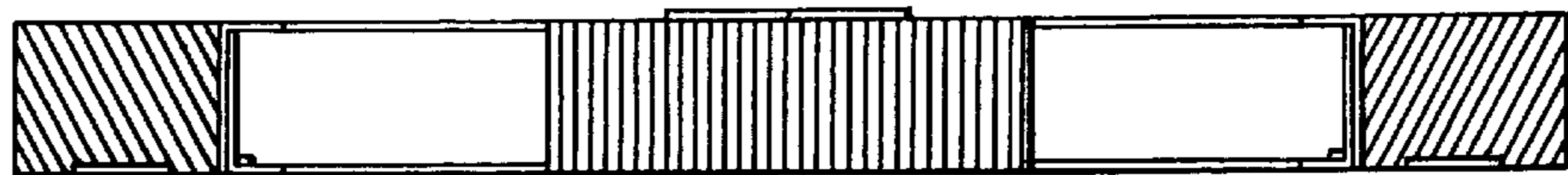


FIG. 6