



US00D435435S

United States Patent [19]
Shea

[11] **Patent Number: Des. 435,435**
[45] **Date of Patent: ** Dec. 26, 2000**

[54] **HEAVY-DUTY SUPPORT BRACKET FOR SUPPORTING AN OFF-SHELF MERCHANDISING DISPLAY ASSEMBLY**

[76] Inventor: **Thomas M. Shea**, 1343 Rochester Rd., Suite 100, Troy, Mich. 48083

[**] Term: **14 Years**

[21] Appl. No.: **29/109,679**

[22] Filed: **Aug. 19, 1999**

Related U.S. Application Data

[63] Continuation-in-part of application No. 09/280,285, Mar. 29, 1999, which is a continuation-in-part of application No. 09/225,671, Jan. 5, 1999, and a continuation-in-part of application No. 08/888,558, Jul. 7, 1997, Pat. No. 5,957,422.

[51] **LOC (7) Cl.** **08-05**

[52] **U.S. Cl.** **D8/363**

[58] **Field of Search** D8/380-381; 211/87.01, 211/123; 248/220.4, 220.3, 220.1

[56] **References Cited**

U.S. PATENT DOCUMENTS

- 251,351 12/1881 Ham .
- D. 320,719 10/1991 Kolsrud et al. .
- D. 327,187 6/1992 Swon .
- 431,110 7/1890 Driver .
- 2,020,991 11/1935 Brody 211/123
- 2,607,498 8/1952 Roberts 211/123
- 2,935,210 5/1960 Cohen .
- 3,018,898 1/1962 Frazelle .
- 3,087,624 4/1963 Hucker .
- 3,221,893 12/1965 Glaberson et al. .
- 3,252,678 5/1966 Myers 248/220.3
- 3,480,245 11/1969 Gingher 248/317
- 3,513,606 5/1970 Jones .
- 3,677,415 7/1972 Radek .
- 3,935,357 1/1976 Padovani .
- 4,159,814 7/1979 Fibus .
- 4,286,006 8/1981 Boelter .
- 4,461,443 7/1984 Dauman .
- 4,629,075 12/1986 Hutten .
- 4,718,627 1/1988 Fast et al. .
- 4,720,016 1/1988 Kay .
- 4,767,012 8/1988 Simmons .

- 4,911,392 3/1990 Fast .
- 4,919,280 4/1990 Phillips .
- 5,090,725 2/1992 Feldner .
- 5,096,070 3/1992 Jaynes .
- 5,284,259 2/1994 Conway et al. .
- 5,305,898 4/1994 Merl 211/87.01
- 5,370,249 12/1994 Harvey et al. .
- 5,386,916 2/1995 Valiulis .
- 5,405,022 4/1995 Rissley .
- 5,415,370 5/1995 Valiulis .
- 5,443,167 8/1995 Menaged et al. .
- 5,505,318 4/1996 Goff .
- 5,505,319 4/1996 Todd, Jr. .
- 5,526,944 6/1996 Merl .
- 5,547,088 8/1996 Belokin et al. .
- 5,553,721 9/1996 Gebka .
- 5,556,064 9/1996 Cowe .
- 5,620,104 4/1997 Maglione .
- 5,657,884 8/1997 Zilincar, III .
- 5,660,286 8/1997 Shea .
- 5,678,702 10/1997 Menaged et al. .
- 5,762,207 6/1998 Maglione .

Primary Examiner—Holly Baynham
Attorney, Agent, or Firm—Gifford, Krass, Groh, Sprinkle, Anderson & Citkowski, P.C.

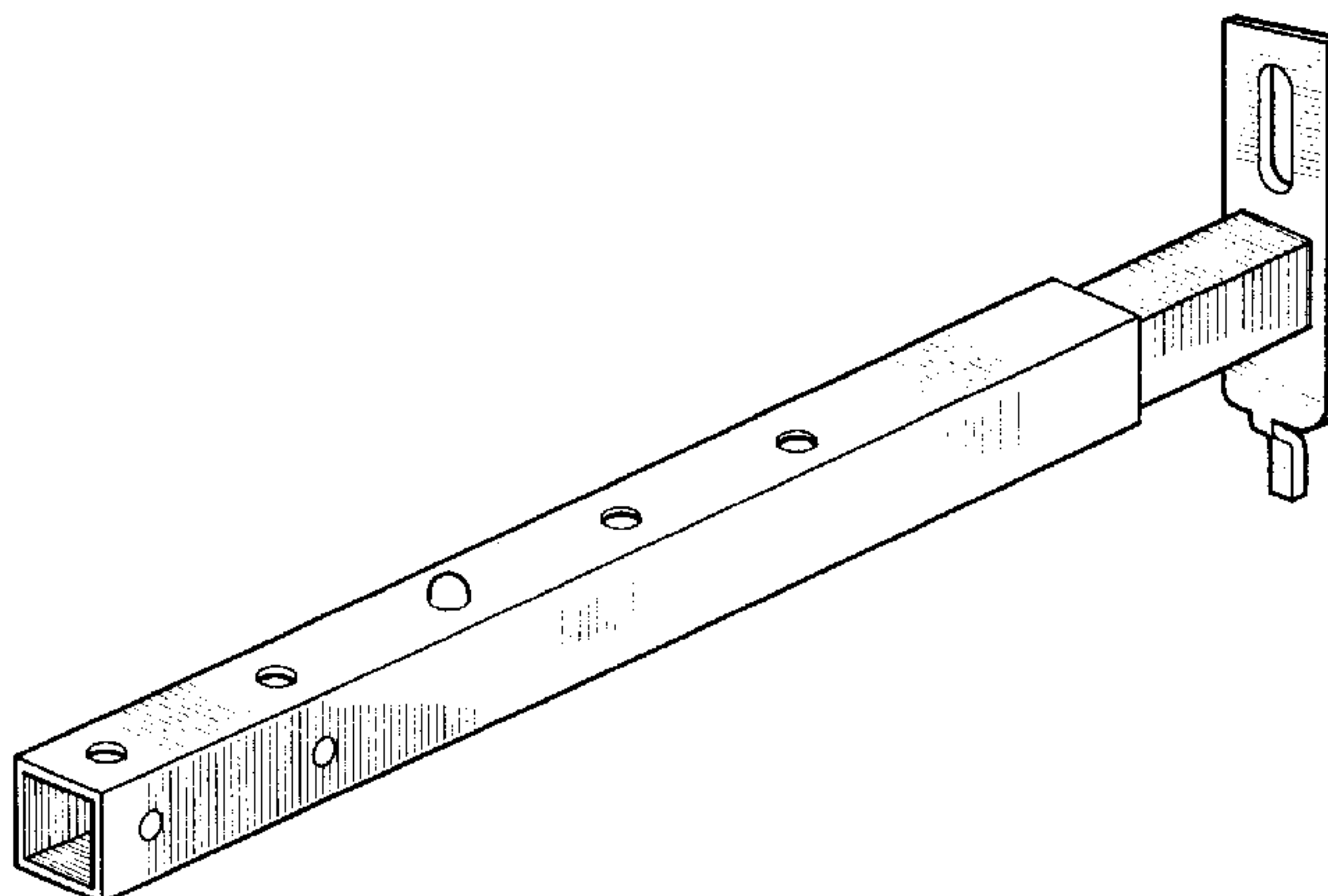
[57] **CLAIM**

I claim the ornamental design for a heavy-duty support bracket for supporting an off-shelf merchandising display assembly, as shown and described.

DESCRIPTION

FIG. 1 is a perspective view of the support bracket according to a preferred variant of the present design;
FIG. 2 is a top view of the present design according to the preferred variant;
FIG. 3 is a right side view of the present design according to the preferred variant, with a corresponding left side view being a mirror image thereof;
FIG. 4 is a bottom view of the present design according to the preferred variant;
FIG. 5 is a front view of the present design according to the preferred variant; and,
FIG. 6 is a rear view of the present design according to the preferred variant.

1 Claim, 1 Drawing Sheet



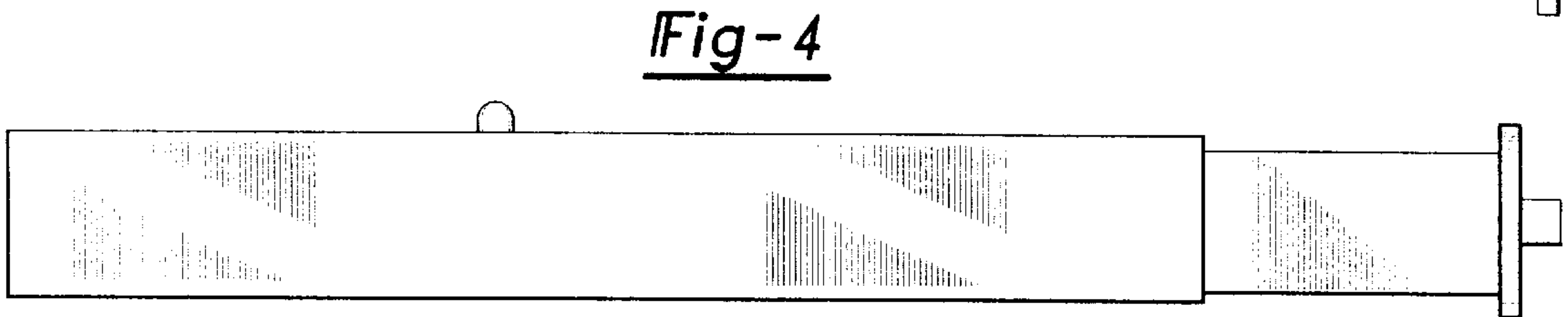
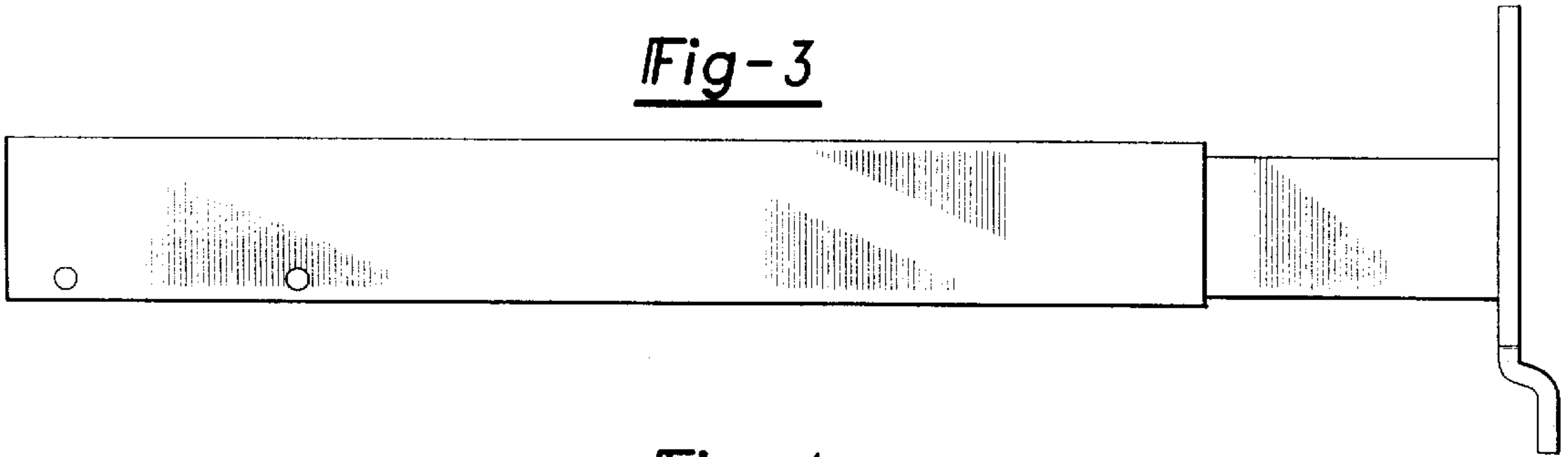
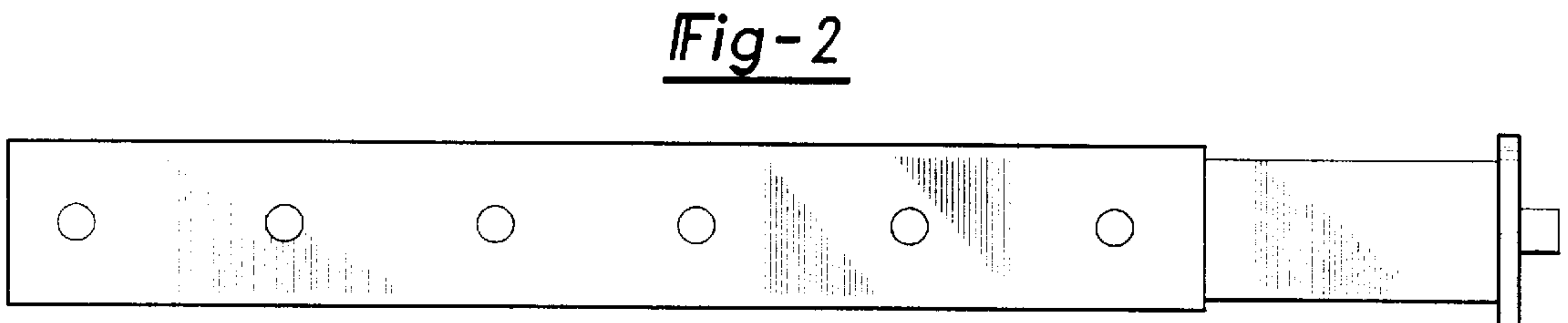
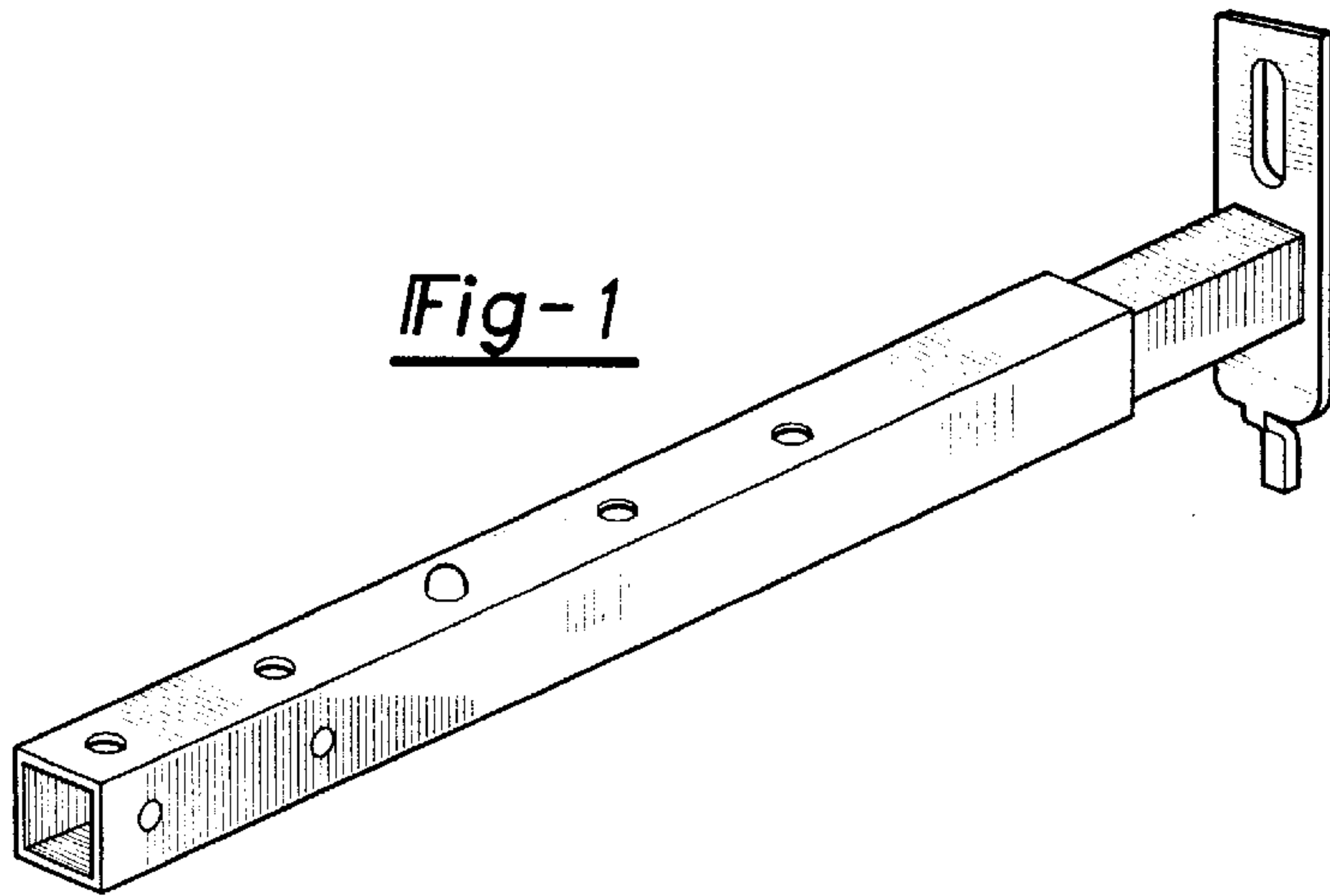


Fig-5

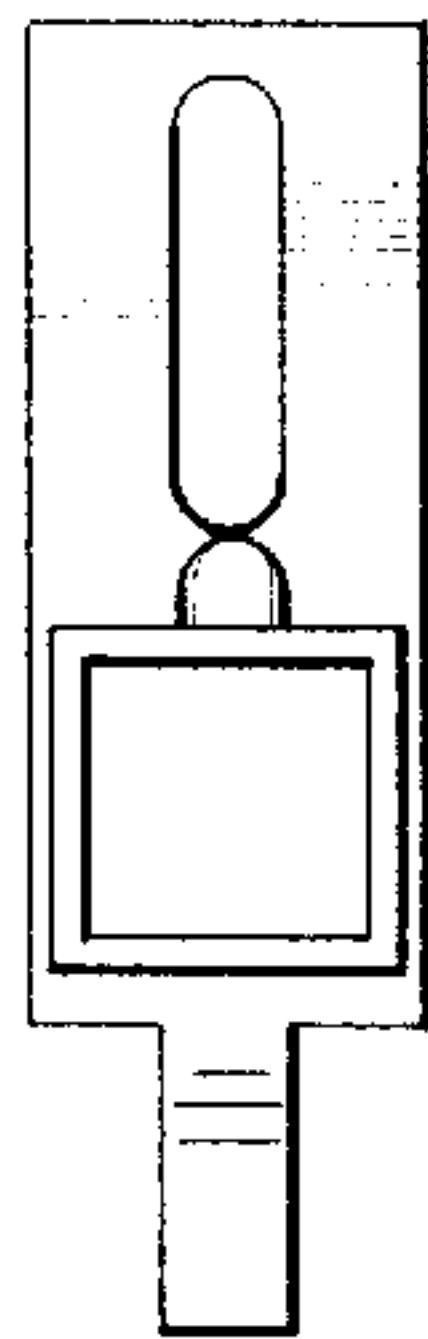


Fig-6

