



US00D435434S

# United States Patent [19] Kampe

[11] **Patent Number: Des. 435,434**

[45] **Date of Patent: \*\* Dec. 26, 2000**

[54] **SUPPORT BRACKET**

[75] Inventor: **Gerhard Kampe**, Kassel, Germany

[73] Assignee: **Hewi Heinrich Wilke GmbH**, Arolsen, Germany

[\*\*] Term: **14 Years**

[21] Appl. No.: **29/059,097**

[22] Filed: **Sep. 3, 1996**

[30] **Foreign Application Priority Data**

Mar. 2, 1996 [DE] Germany ..... M 96 01 054

[51] **LOC (7) Cl.** ..... **08-05**

[52] **U.S. Cl.** ..... **D8/363**

[58] **Field of Search** ..... D8/363; D6/524,  
D6/533; 248/200.1, 262; 160/330, 291;  
D23/304

[56] **References Cited**

**U.S. PATENT DOCUMENTS**

D. 240,178 6/1976 Johannson ..... D6/524  
D. 249,461 9/1978 Swinehart et al. .... D8/373

*Primary Examiner*—Holly Baynham

*Attorney, Agent, or Firm*—Michael J. Striker

[57] **CLAIM**

The ornamental design for a support bracket, as shown and described.

**DESCRIPTION**

FIG. 1 is a perspective view of a support bracket showing my new design;  
FIG. 2 is a side view thereof;  
FIG. 3 is a front view thereof;  
FIG. 4 is a plan view thereof;  
FIG. 5 is the opposite side view thereof;  
FIG. 6 is a bottom view thereof; and  
FIG. 7 is a rear view thereof;  
FIG. 8 is a perspective view of an alternate embodiment showing my new design;  
FIG. 9 is a side view thereof;  
FIG. 10 is a front view thereof;  
FIG. 11 is a plan view thereof;  
FIG. 12 is the opposite side view thereof;  
FIG. 13 is a bottom view thereof; and,  
FIG. 14 is a rear view thereof.  
Any undisclosed surface area in any figure is without ornamentation.

**1 Claim, 6 Drawing Sheets**

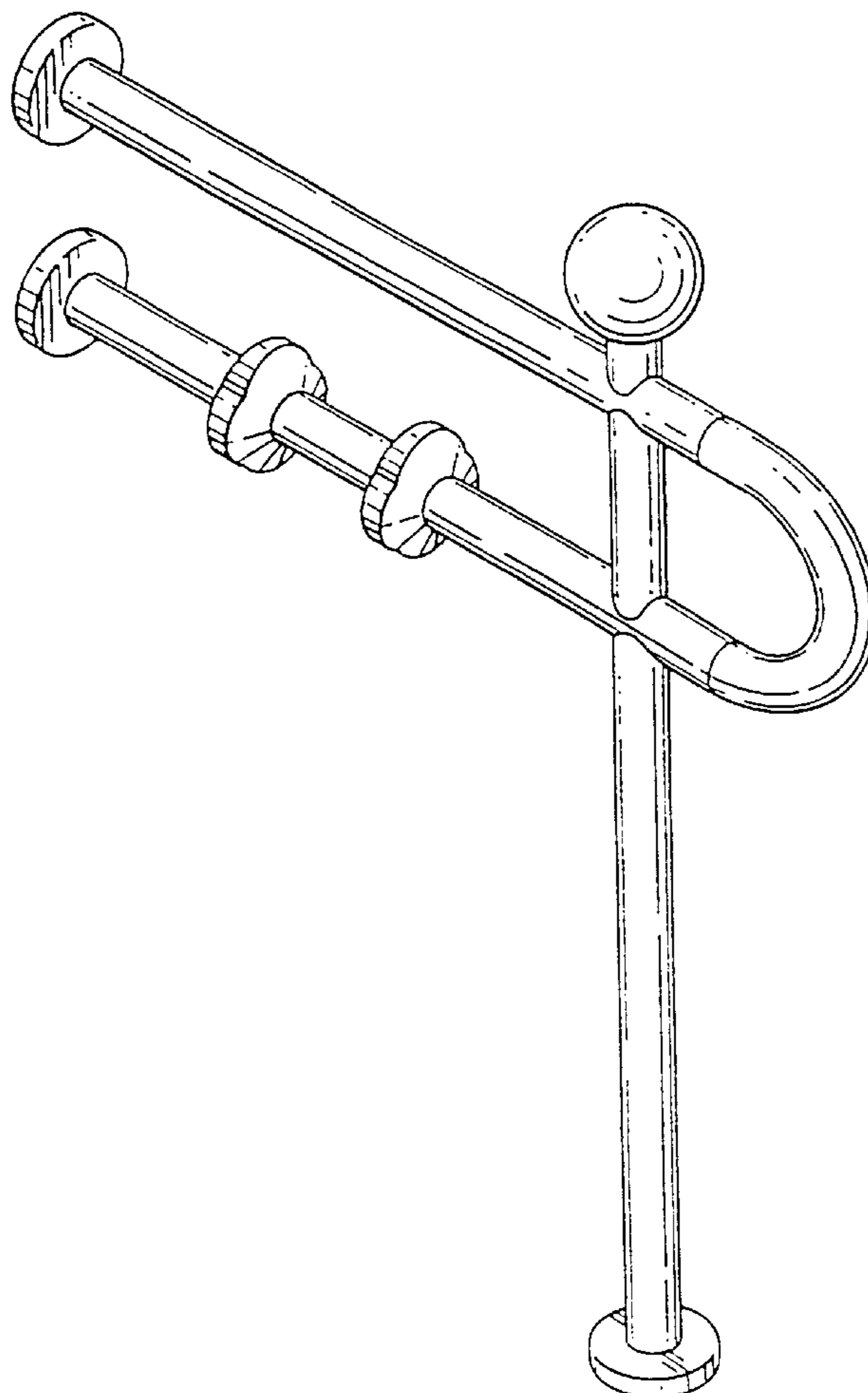


Fig. 1.

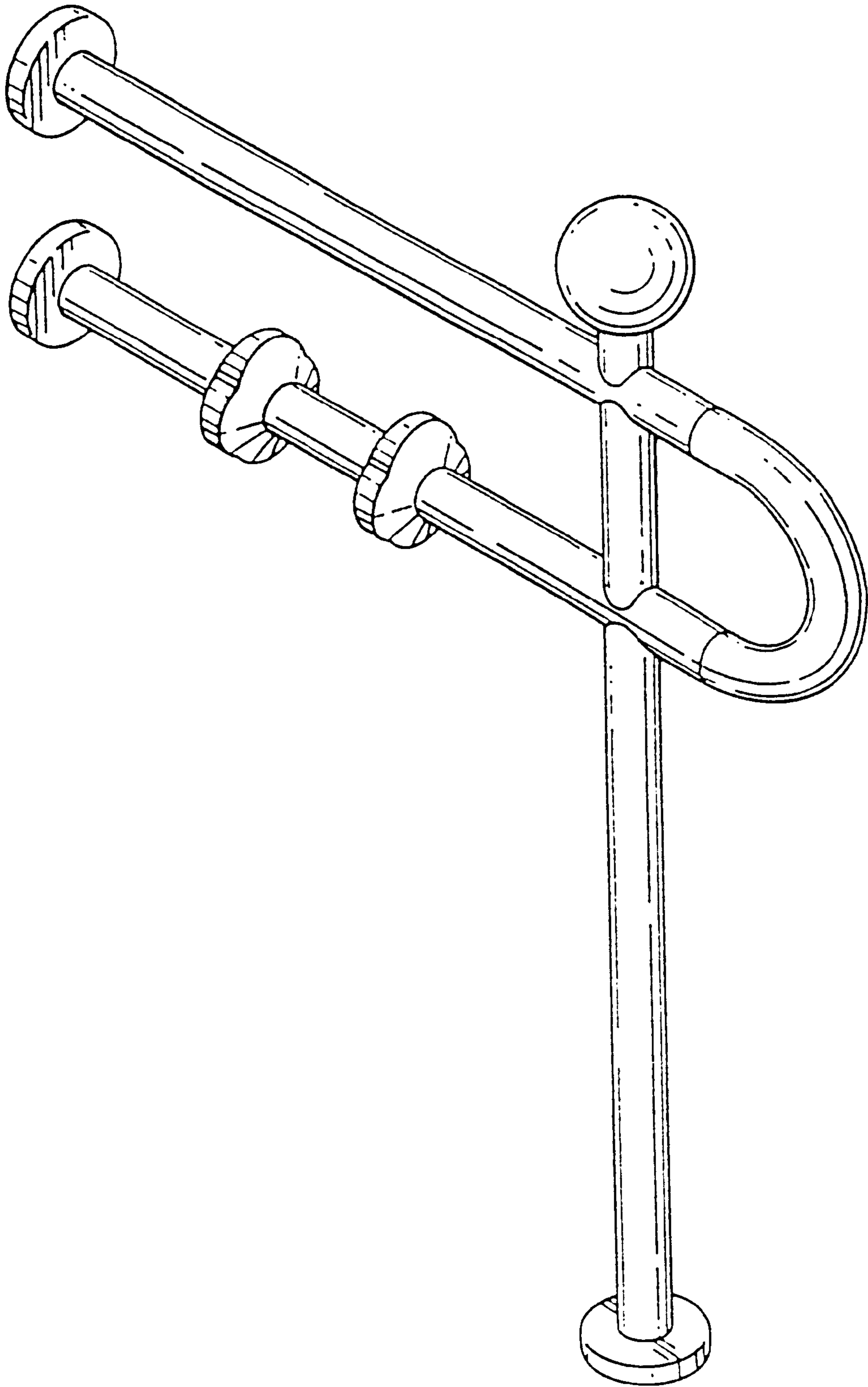


Fig.2.

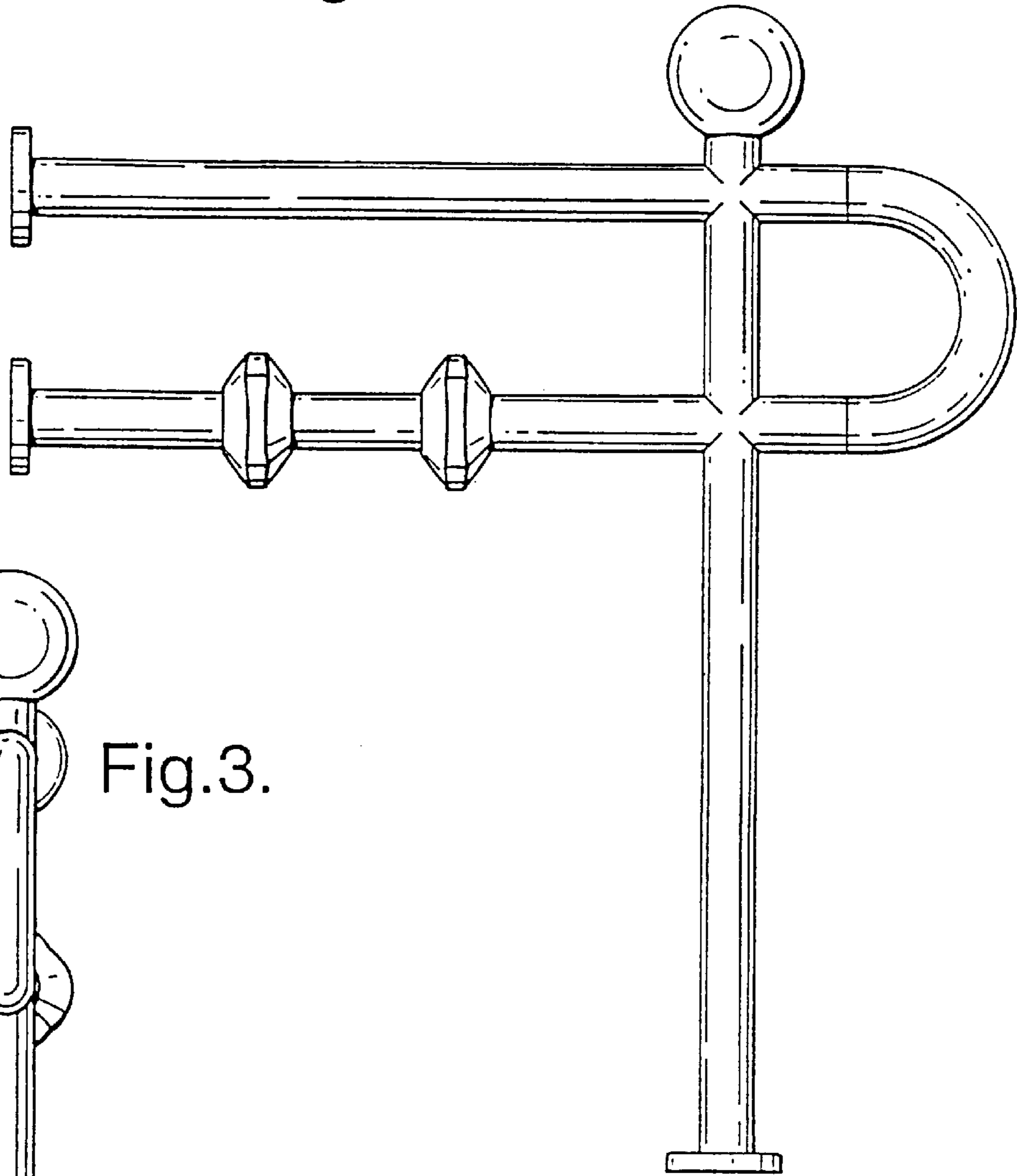


Fig.3.

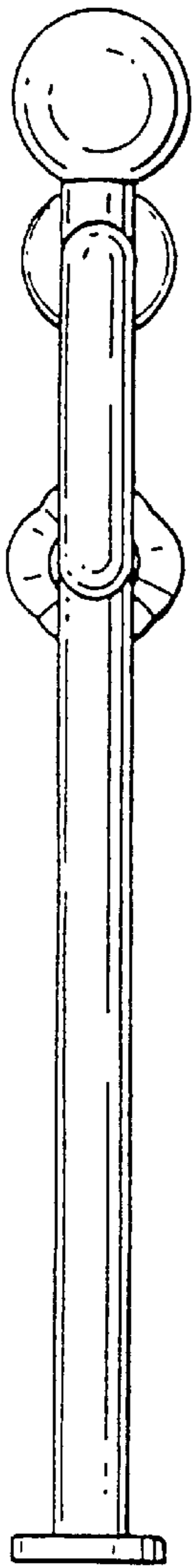


Fig.4.

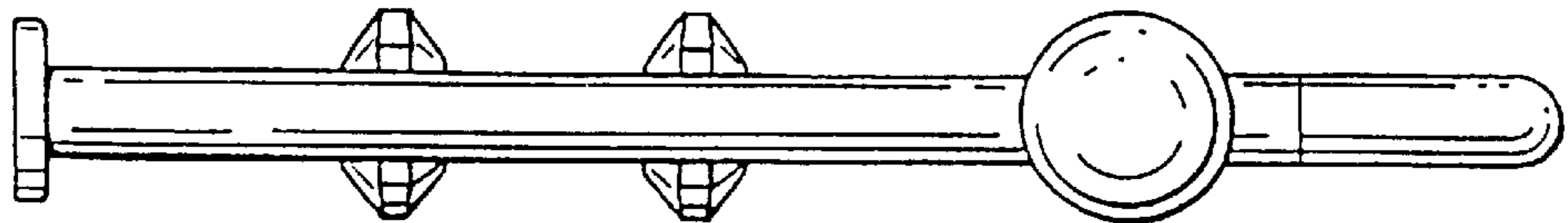


Fig.5.

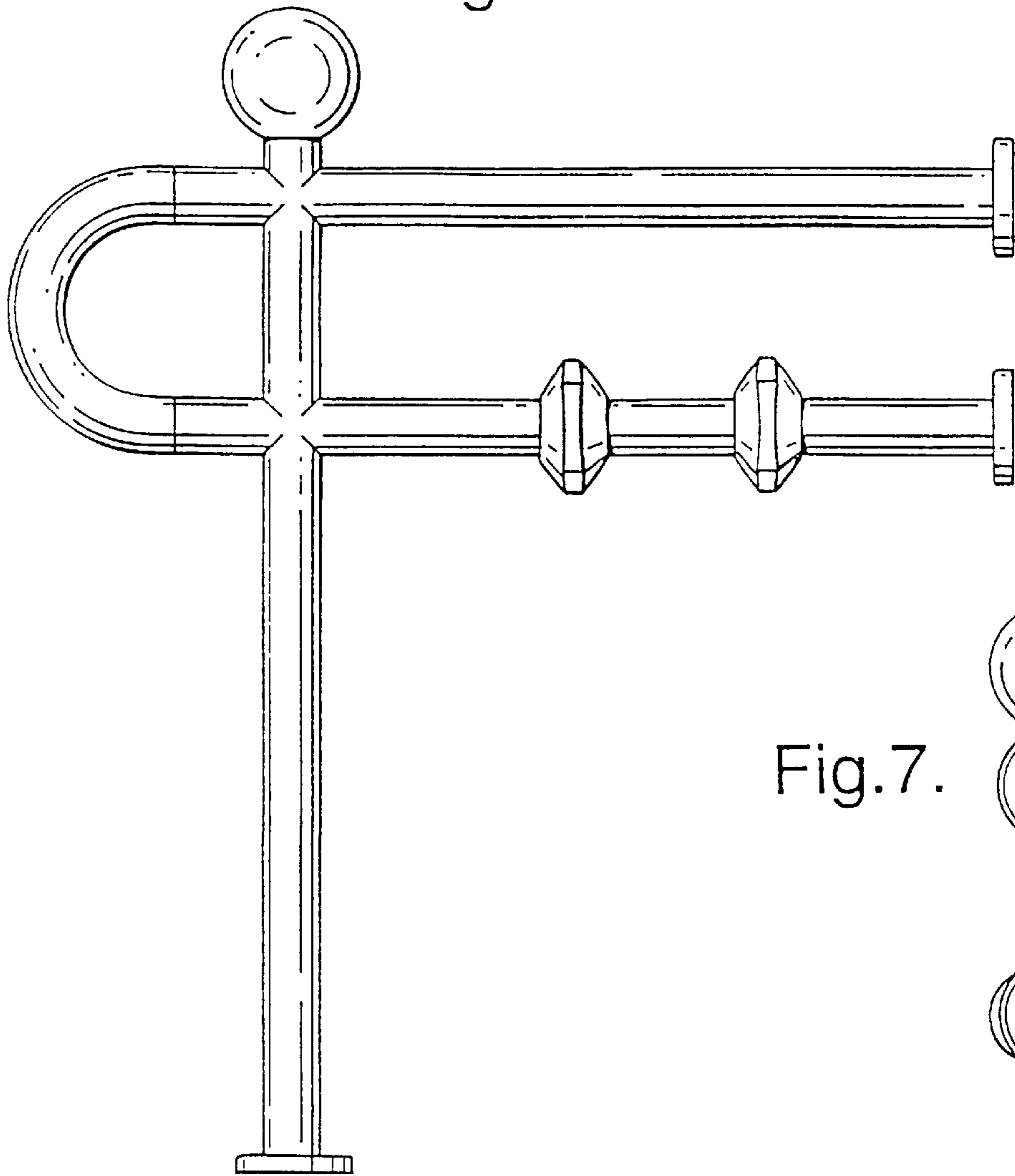


Fig.7.

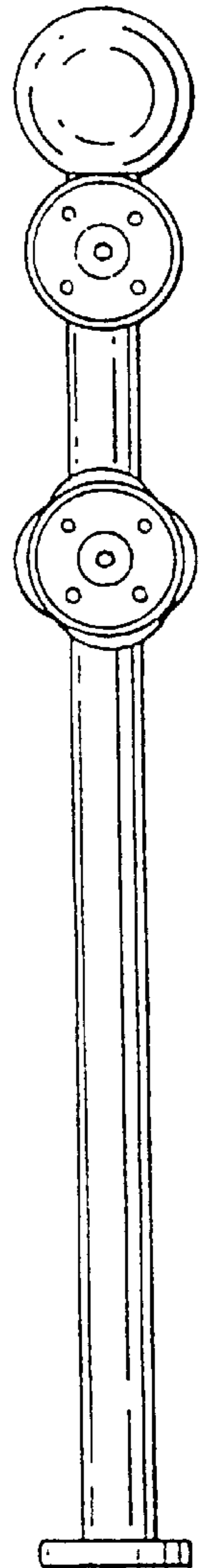
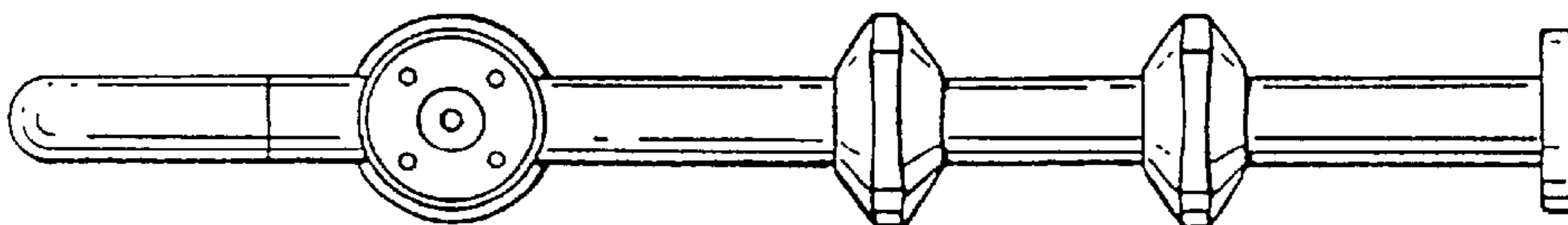
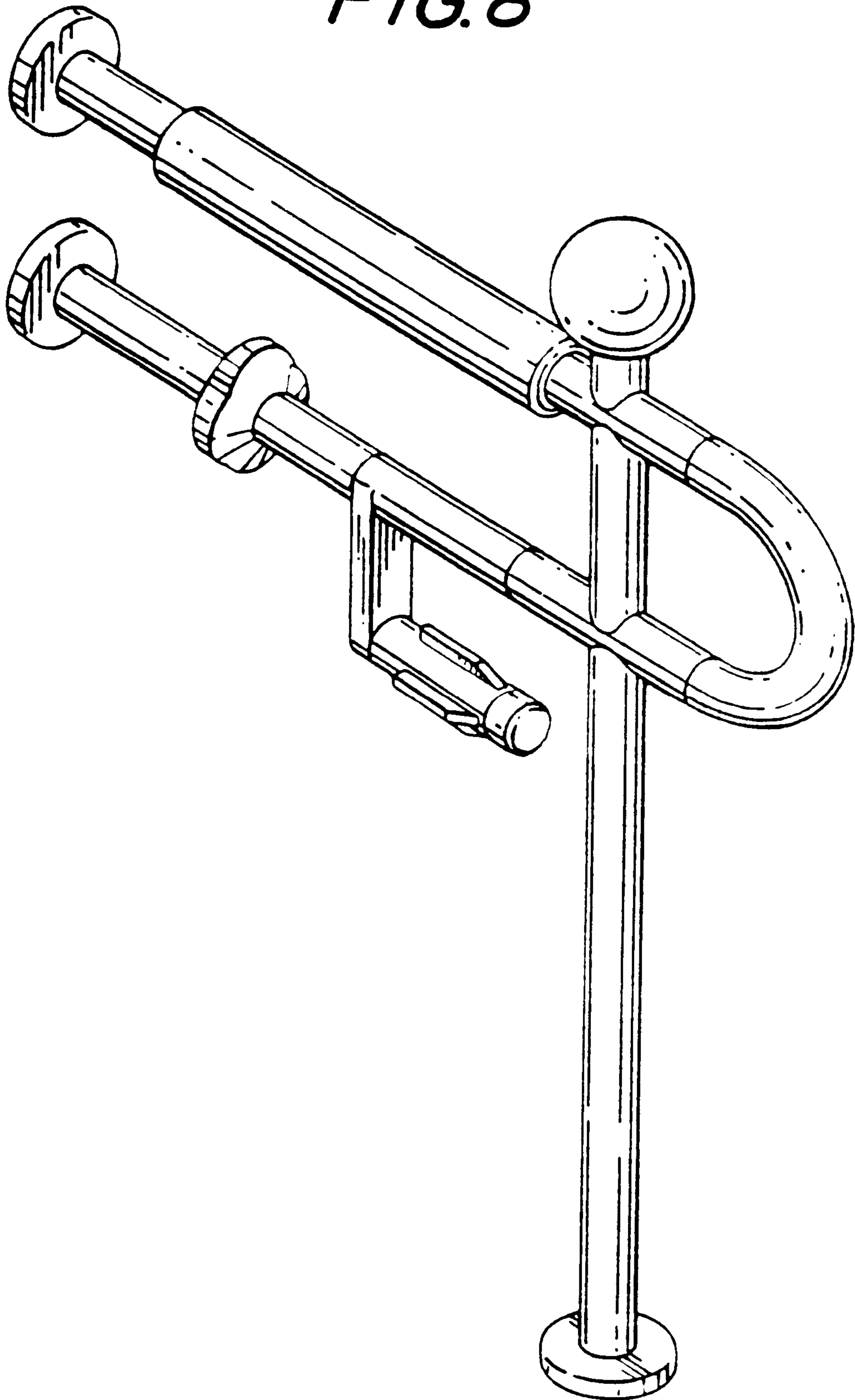


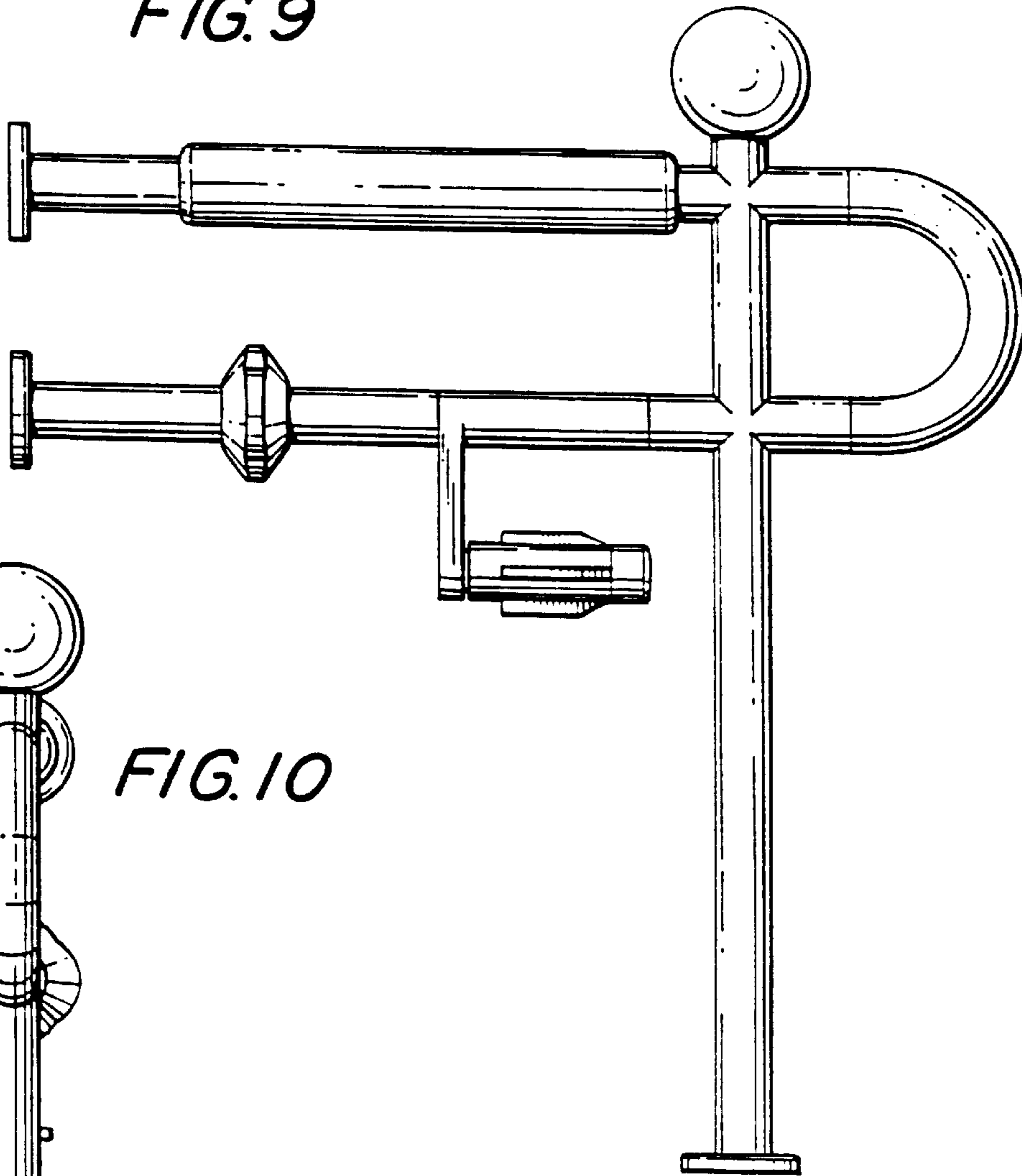
Fig.6.



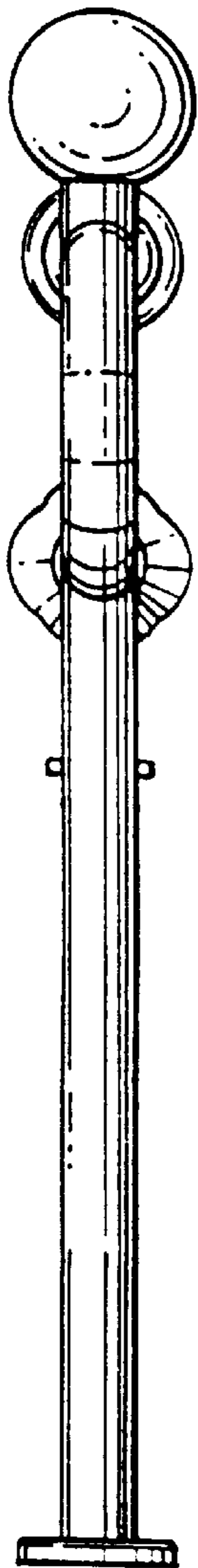
*FIG. 8*



*FIG. 9*



*FIG. 10*



*FIG. 11*

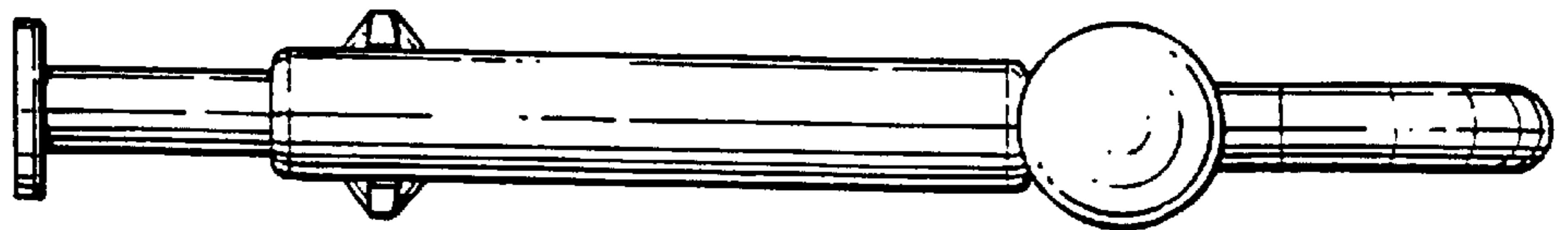


FIG. 12

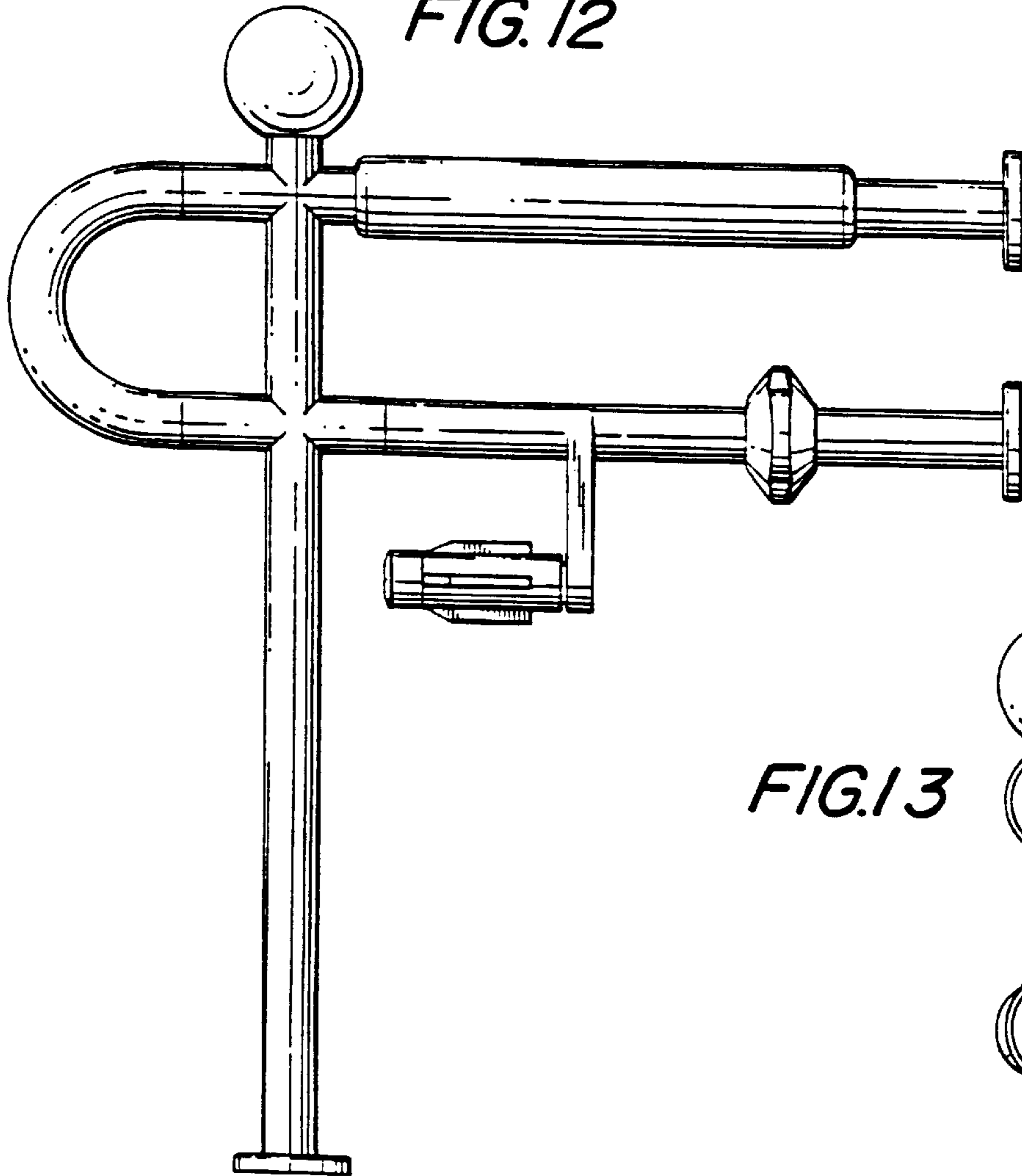


FIG. 13

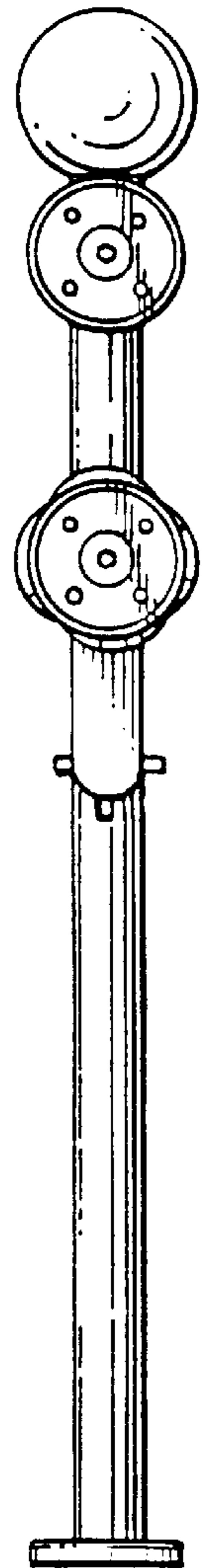


FIG. 14

