



US00D435433S

United States Patent [19]

[11] **Patent Number: Des. 435,433**

Miller et al.

[45] **Date of Patent: ** Dec. 26, 2000**

[54] **DECK SUPPORT BRACKET**

4,953,339 9/1990 Jewell 52/729.1
5,937,609 8/1999 Roth 52/698

[75] Inventors: **David Miller; Roger Ouellette**, both of Cold Lake, Canada

Primary Examiner—Holly Baynham
Attorney, Agent, or Firm—Christensen O'Connor Johnson Kindness PLLC

[73] Assignee: **Deck-Aids Western Ltd.**, Cold Lake, Canada

[**] Term: **14 Years**

[57] CLAIM

[21] Appl. No.: **29/113,752**

The ornamental design for a deck support bracket, as shown and described.

[22] Filed: **Nov. 10, 1999**

[30] Foreign Application Priority Data

DESCRIPTION

May 12, 1999 [CA] Canada 1999-1136

FIG. 1 is a right side elevation view, the left side elevation view being a mirror image;

[51] **LOC (7) Cl.** **08-05**

[52] **U.S. Cl.** **D8/354**

FIG. 2 is a front elevation view in an alternate position, the rear elevation view being a mirror image;

[58] **Field of Search** D8/349, 354, 380;
52/712, 745.2, 729.1; 248/227.3, 188.2,
228.1; 405/215

FIG. 3 is a top plan view; and,

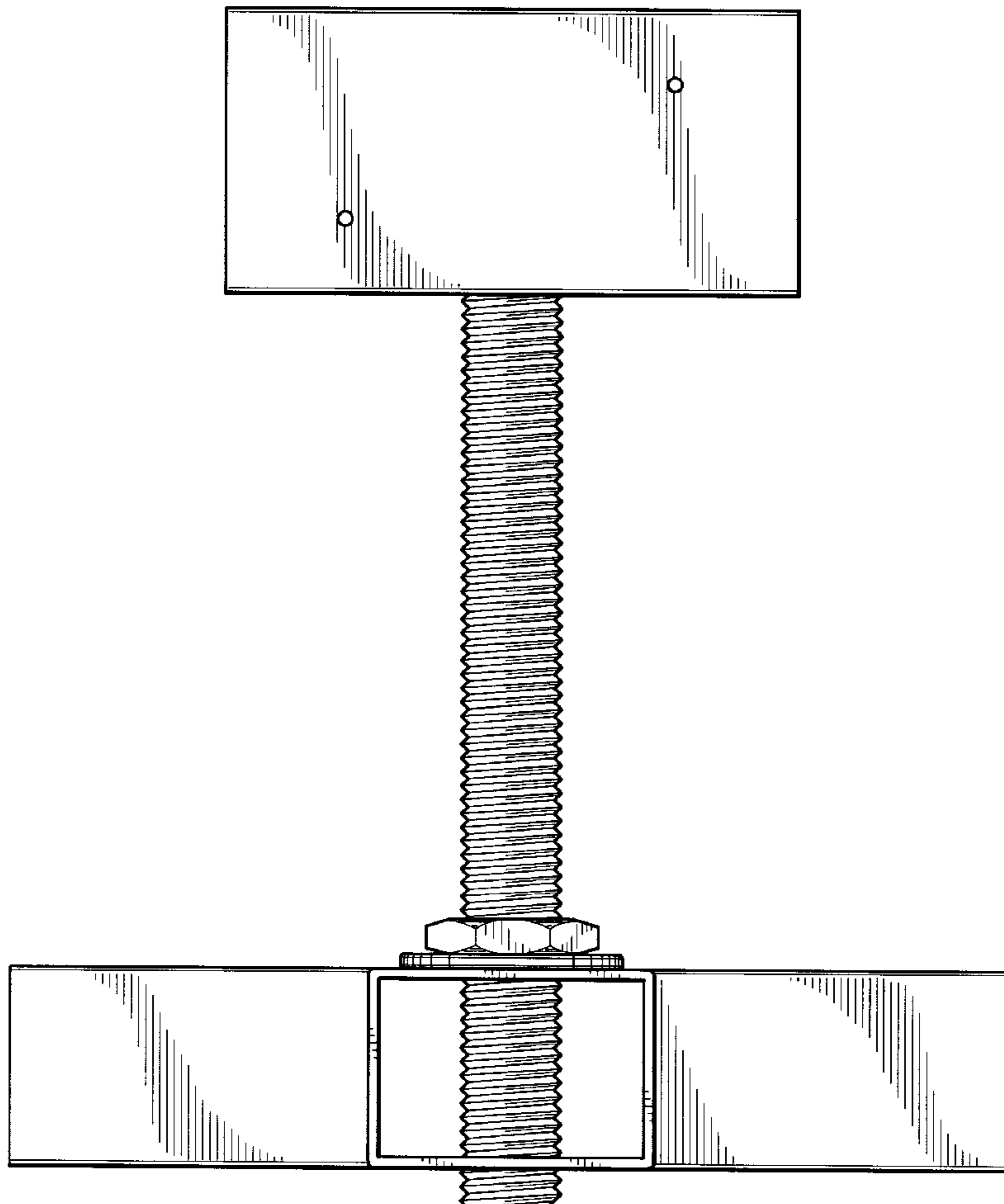
FIG. 4 is a bottom plan view.

[56] References Cited

U.S. PATENT DOCUMENTS

2,435,288 2/1948 Nisenson 248/251 X

1 Claim, 4 Drawing Sheets



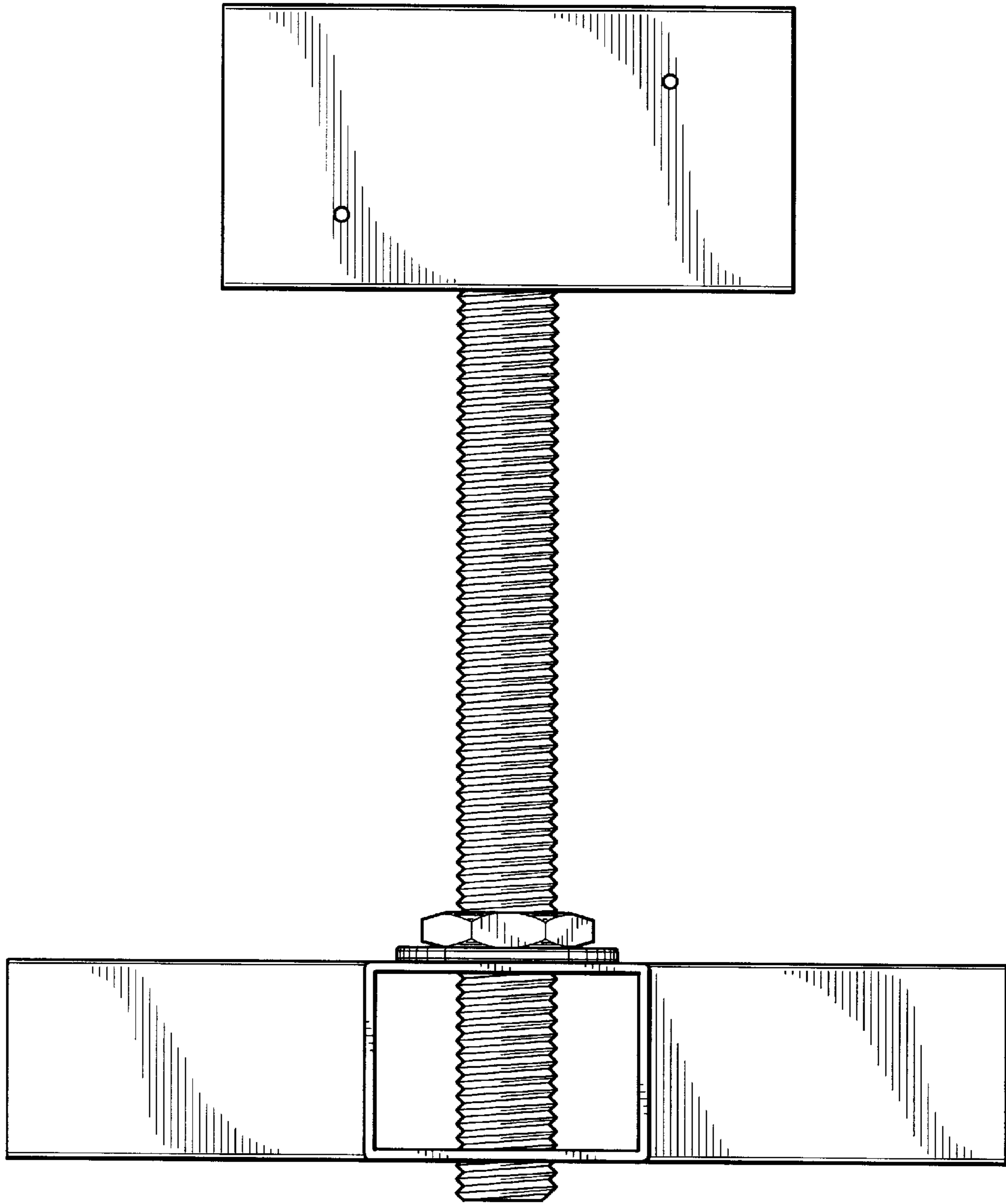


FIG. 1

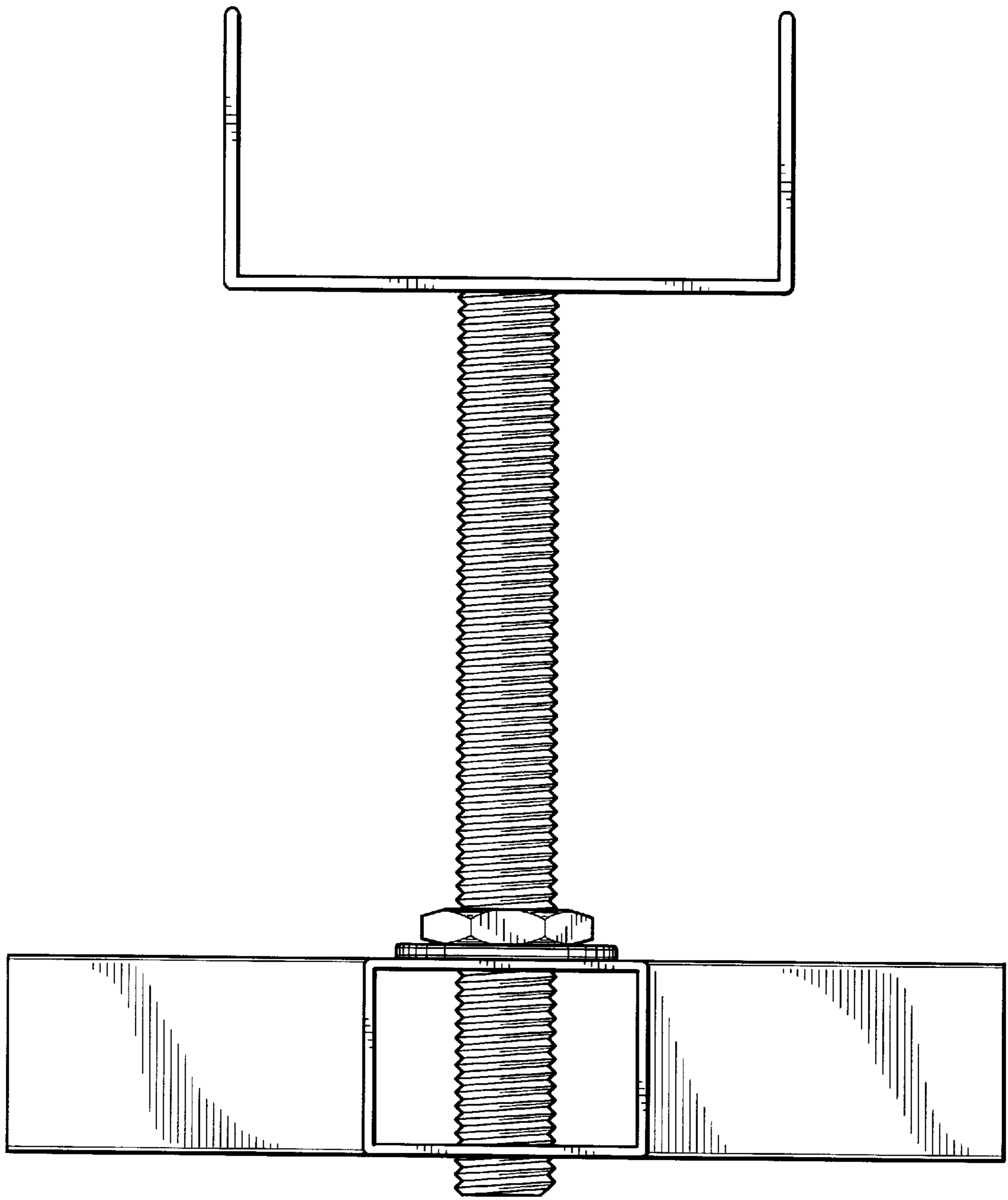


FIG. 2

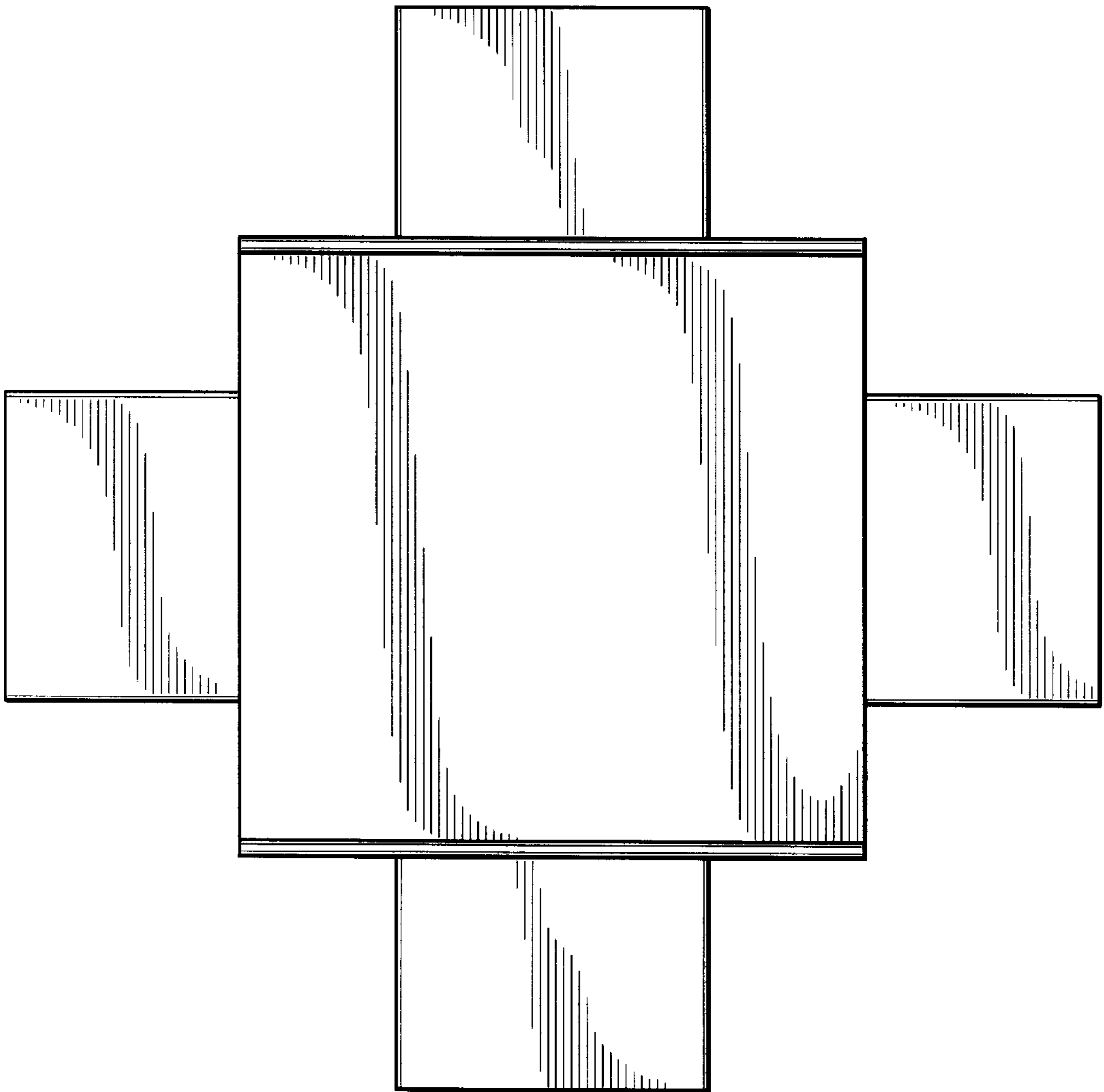


FIG. 3

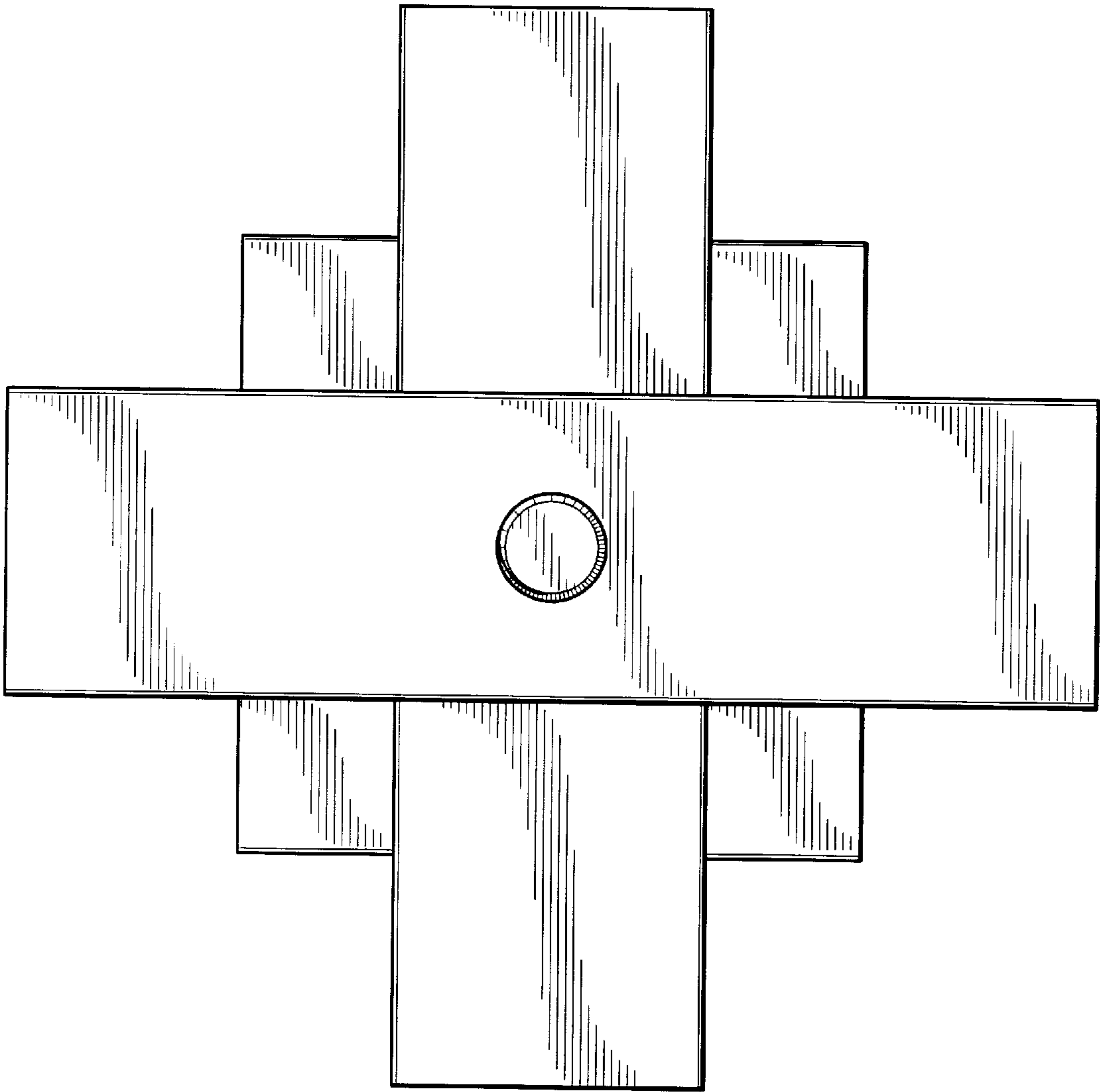


FIG. 4