



US00D435430S

United States Patent [19]

Valentz et al.

[11] Patent Number: **Des. 435,430**

[45] Date of Patent: **** Dec. 26, 2000**

[54] **PLASTIC BASE**

[75] Inventors: **Arthur J. Valentz**, Sugar Land, Tex.;
John E. Nemazi, Bloomfield Hills, Mich.

[73] Assignee: **Portable Pipe Hangers**, Houston, Tex.

[**] Term: **14 Years**

[21] Appl. No.: **29/113,062**

[22] Filed: **Oct. 28, 1999**

[51] **LOC (7) Cl.** **08-05**

[52] **U.S. Cl.** **D8/349**

[58] **Field of Search** D8/349, 354; 211/13.1;
248/346.01, 346.02, 305.1

[56] **References Cited**

U.S. PATENT DOCUMENTS

- 5,217,191 6/1993 Smith .
- 5,564,669 10/1996 Wu 248/346.01
- 5,816,554 10/1998 McCracken .

OTHER PUBLICATIONS

Portable Pipe Hangers, Inc. Catalogue; pp. 9, 29, Sec. 07730/Sec. 15060 (1997/1998).

Brochure re: Portable Pipe Hangers, Inc. "Specifications for Standard Models" 1997/1998.

Primary Examiner—Holly Baynham
Attorney, Agent, or Firm—Brooks & Kushman P.C.

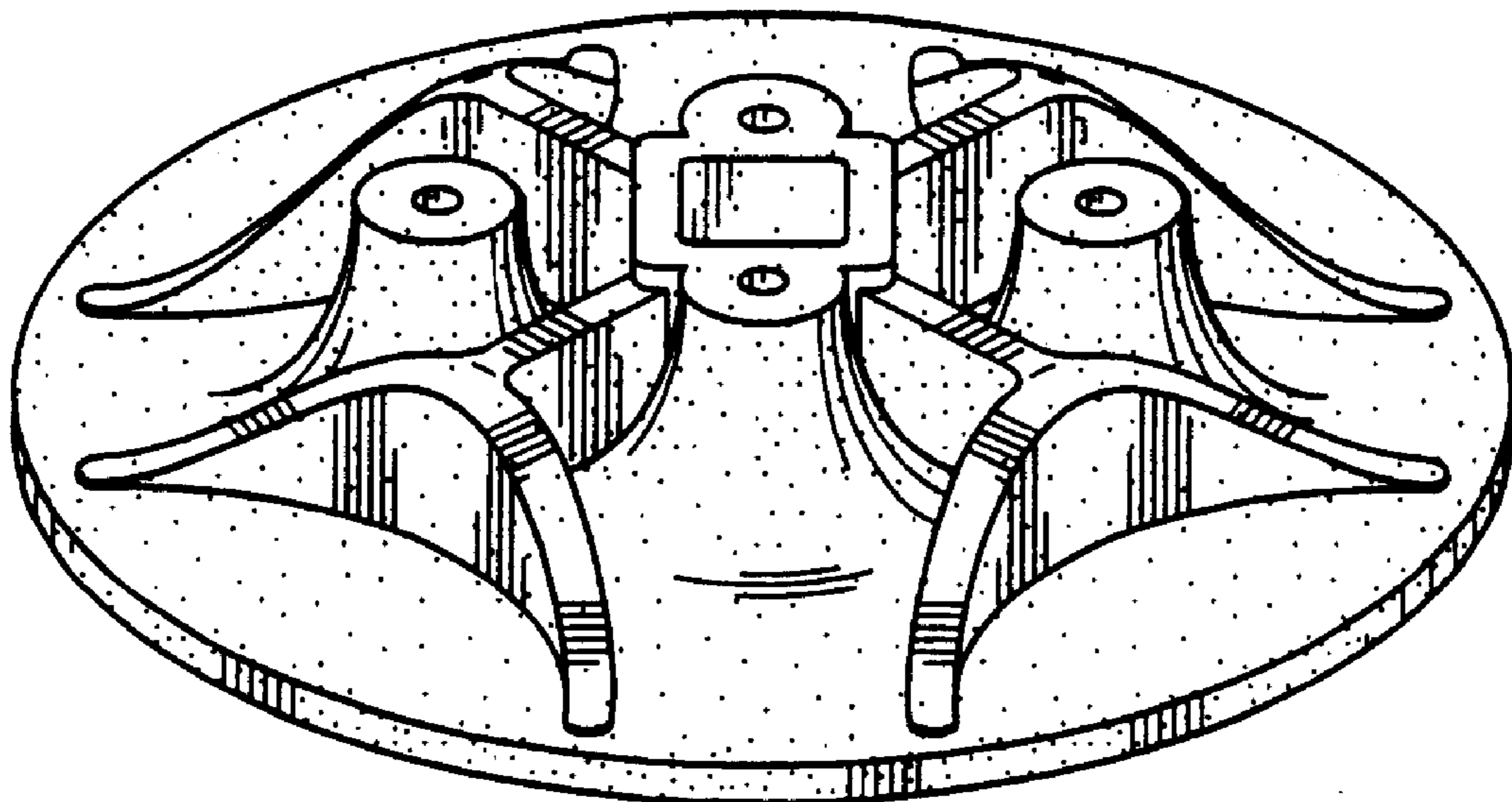
[57] **CLAIM**

The ornamental design for a plastic base, as shown and described.

DESCRIPTION

FIG. 1 is a perspective view of the plastic base;
FIG. 2 is a top plan view;
FIG. 3 is a right side view, the left side being the mirror image thereof;
FIG. 4 is a front side view the rear side view being the mirror image thereof; and,
FIG. 5 is a bottom plan view.

1 Claim, 1 Drawing Sheet



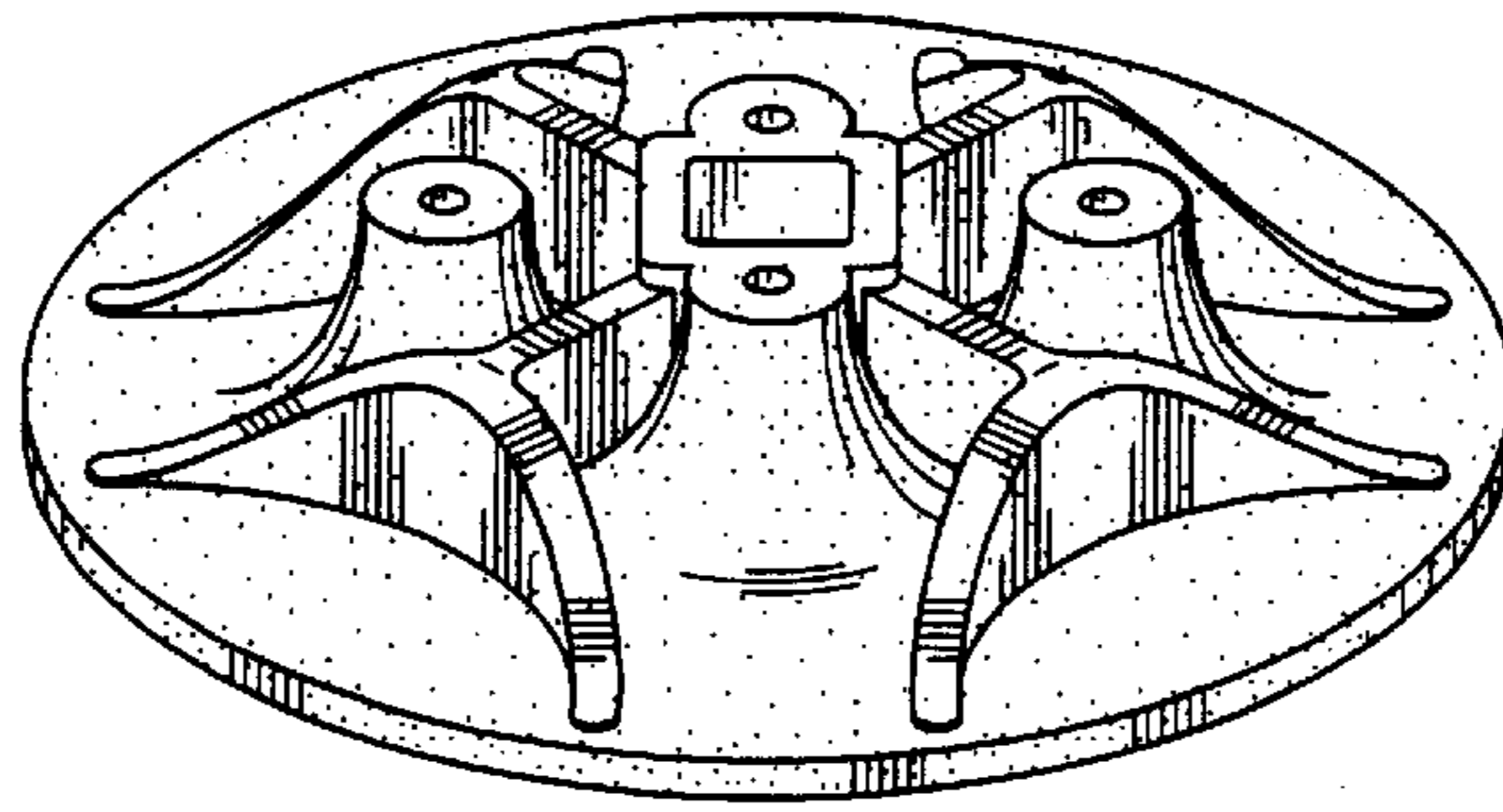


Fig. 1

Fig. 2

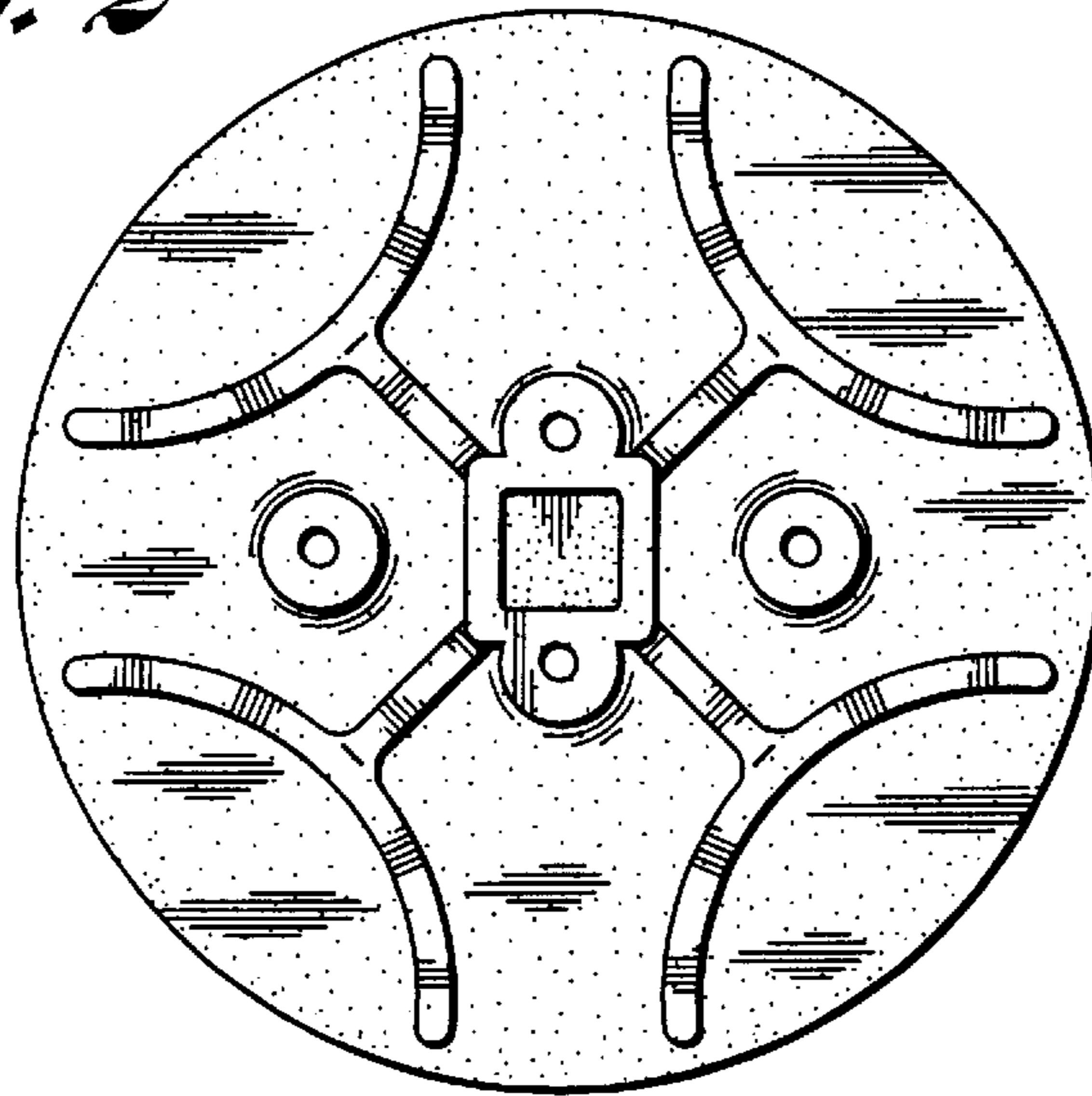


Fig. 3

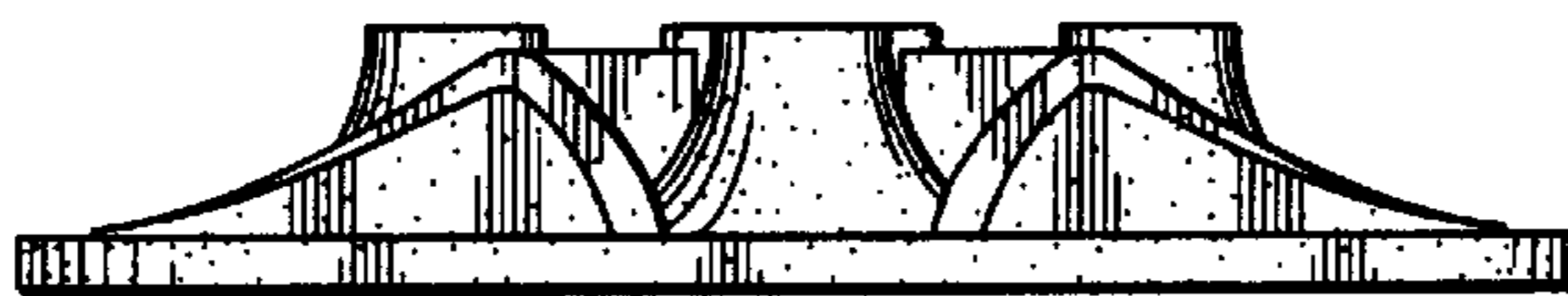
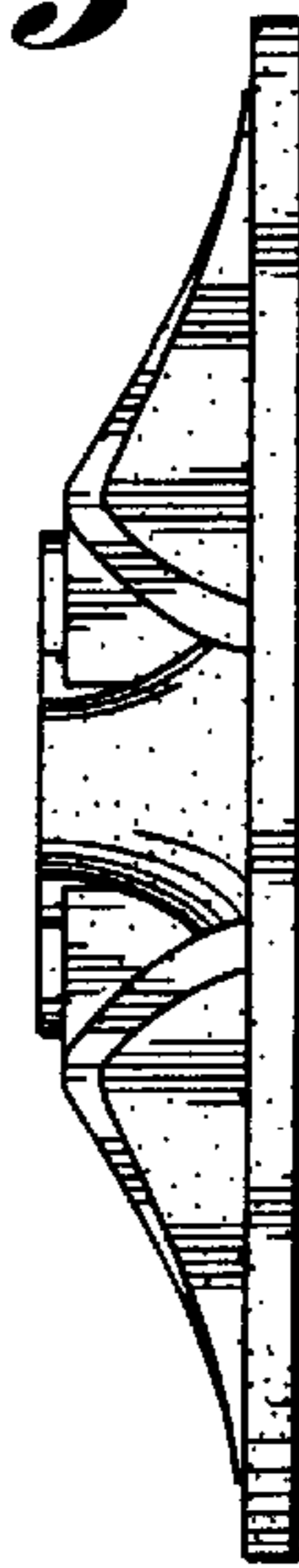


Fig. 4

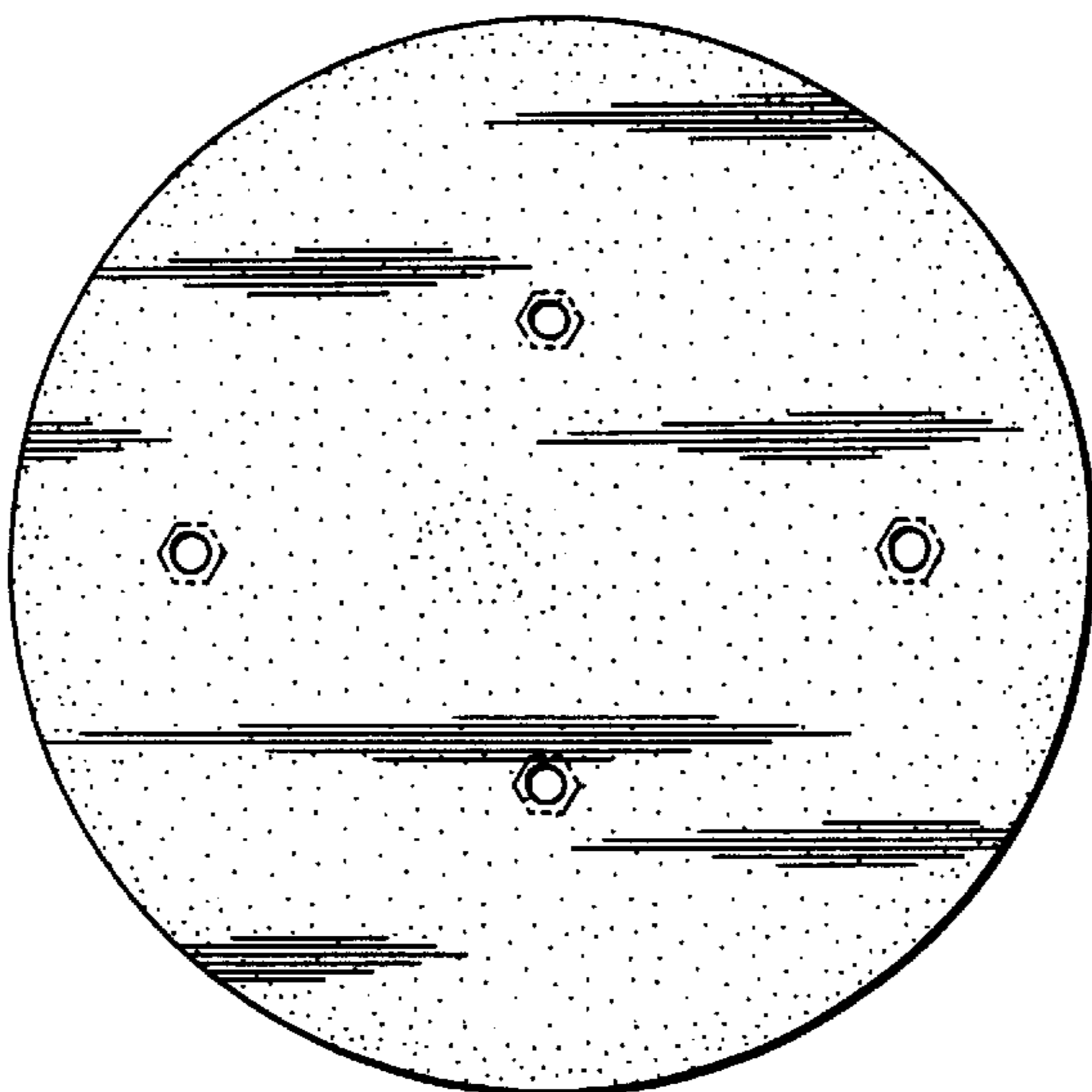


Fig. 5