



US00D435429S

United States Patent [19]

Barnett et al.

[11] **Patent Number: Des. 435,429**

[45] **Date of Patent: ** Dec. 26, 2000**

[54] **WINDOW LATCH**

[75] Inventors: **Ralph L. Barnett**, Wilmette; **William Anthony Wangler**, Elmhurst, both of Ill.

[73] Assignee: **Triodyne-Wangler Construction**, Niles, Ill.

[**] Term: **14 Years**

[21] Appl. No.: **29/117,713**

[22] Filed: **Jan. 28, 2000**

Related U.S. Application Data

[63] Continuation of application No. 09/312,175, May 14, 1999.

[51] **LOC (7) Cl.** **08-07**

[52] **U.S. Cl.** **D8/338; D8/331**

[58] **Field of Search** D8/330, 331, 336, D8/337, 338, 341; 70/89, 90; 292/101, 240, 241, 336.3, DIG. 33

[56] References Cited

U.S. PATENT DOCUMENTS

D. 338,389 8/1993 Finkelstein et al. D8/331

D. 391,141 2/1998 Finkelstein et al. D8/331
5,489,131 2/1996 Blom et al. 292/101

Primary Examiner—Susan J. Lucas
Assistant Examiner—J. Rivard
Attorney, Agent, or Firm—Pauley Petersen Kinne & Fejer

[57] CLAIM

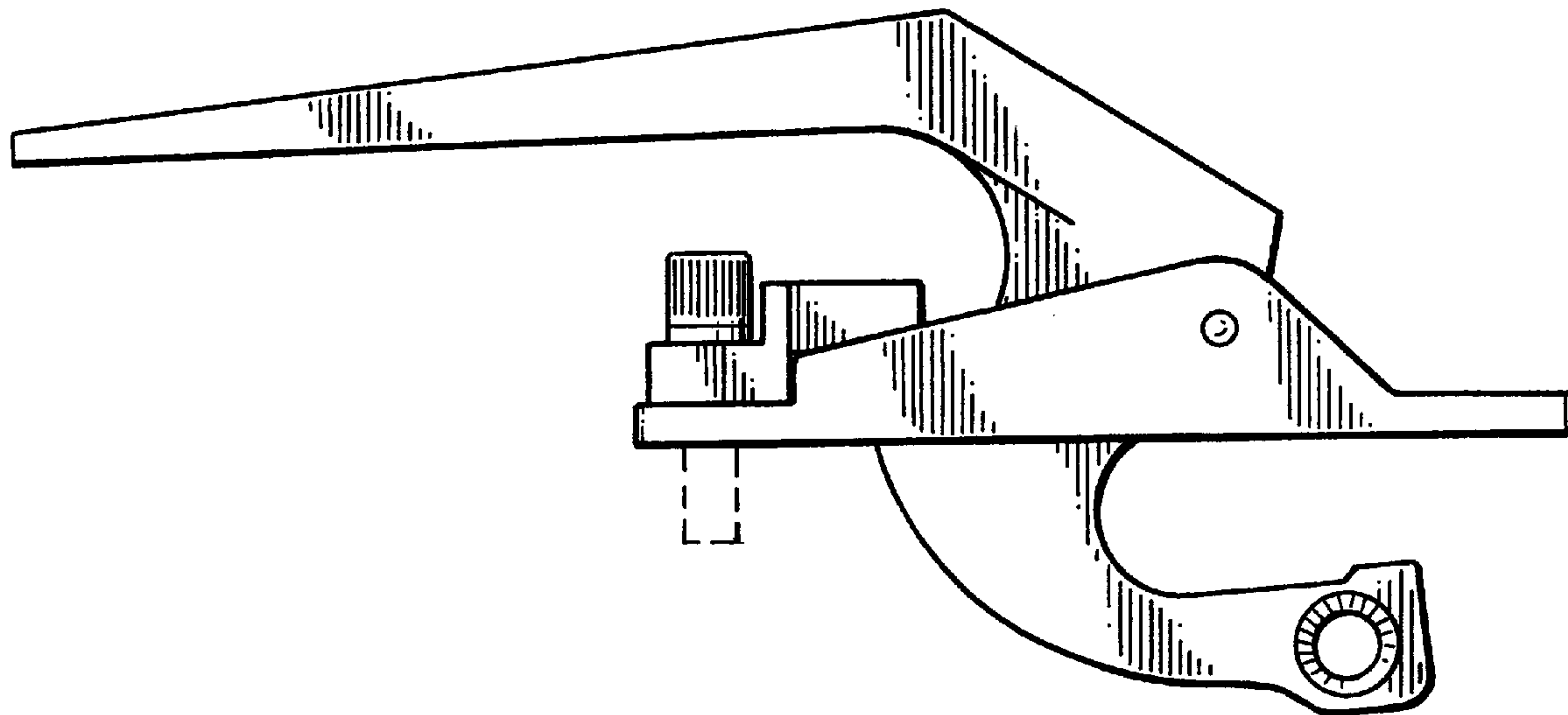
The ornamental design for a window latch, as shown and described.

DESCRIPTION

FIG. 1 is a side view of a window latch according to one preferred embodiment of this invention;
FIG. 2 is a side view opposite the side view of the window latch as shown in FIG. 1;
FIG. 3 is a top view of the window latch as shown in FIG. 1;
FIG. 4 is a bottom view of the window latch as shown in FIG. 1;
FIG. 5 is a front view of the window latch as shown in FIG. 1; and,
FIG. 6 is a rear view of the window latch as shown in FIG. 1.

The broken lines are shown for illustrative purposes only and form no part of the claimed design.

1 Claim, 3 Drawing Sheets



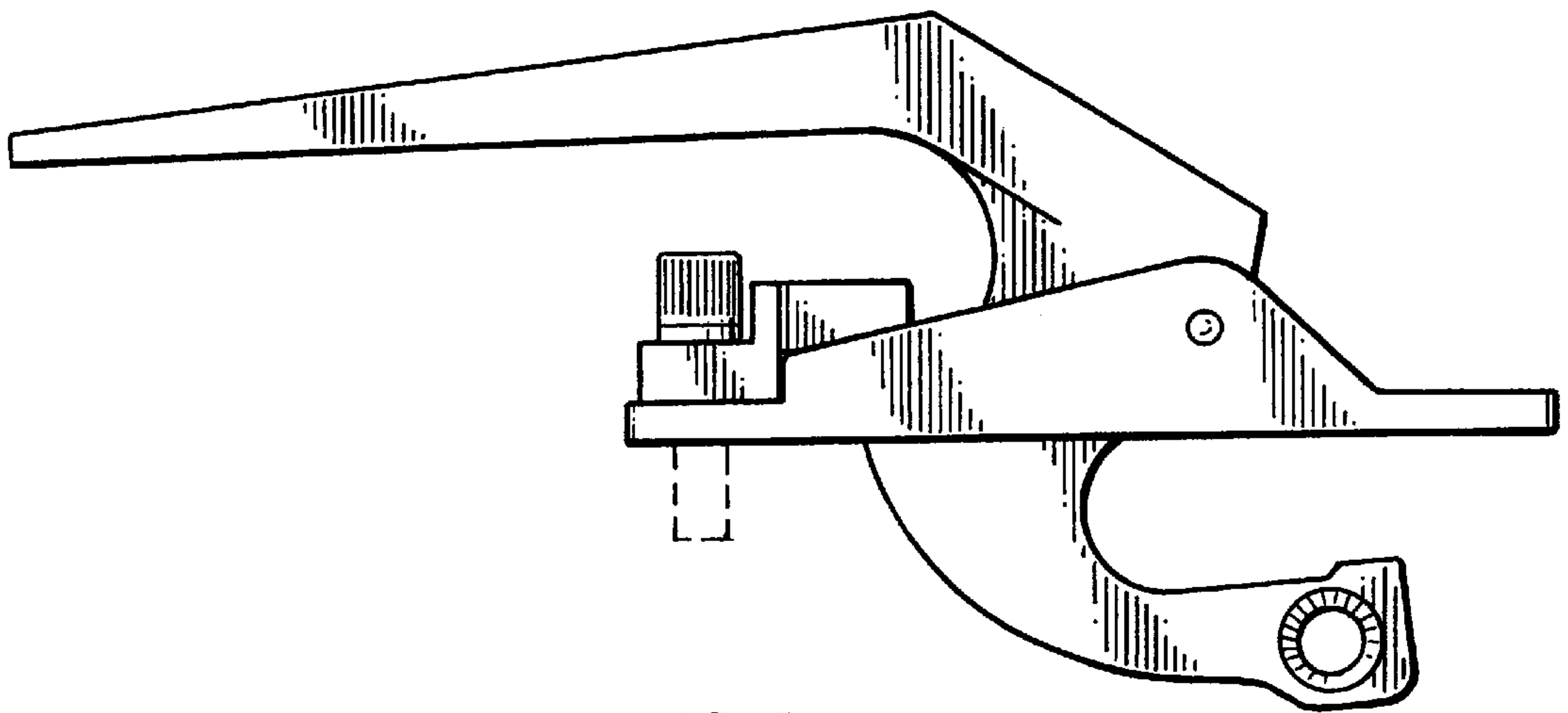


FIG. 1

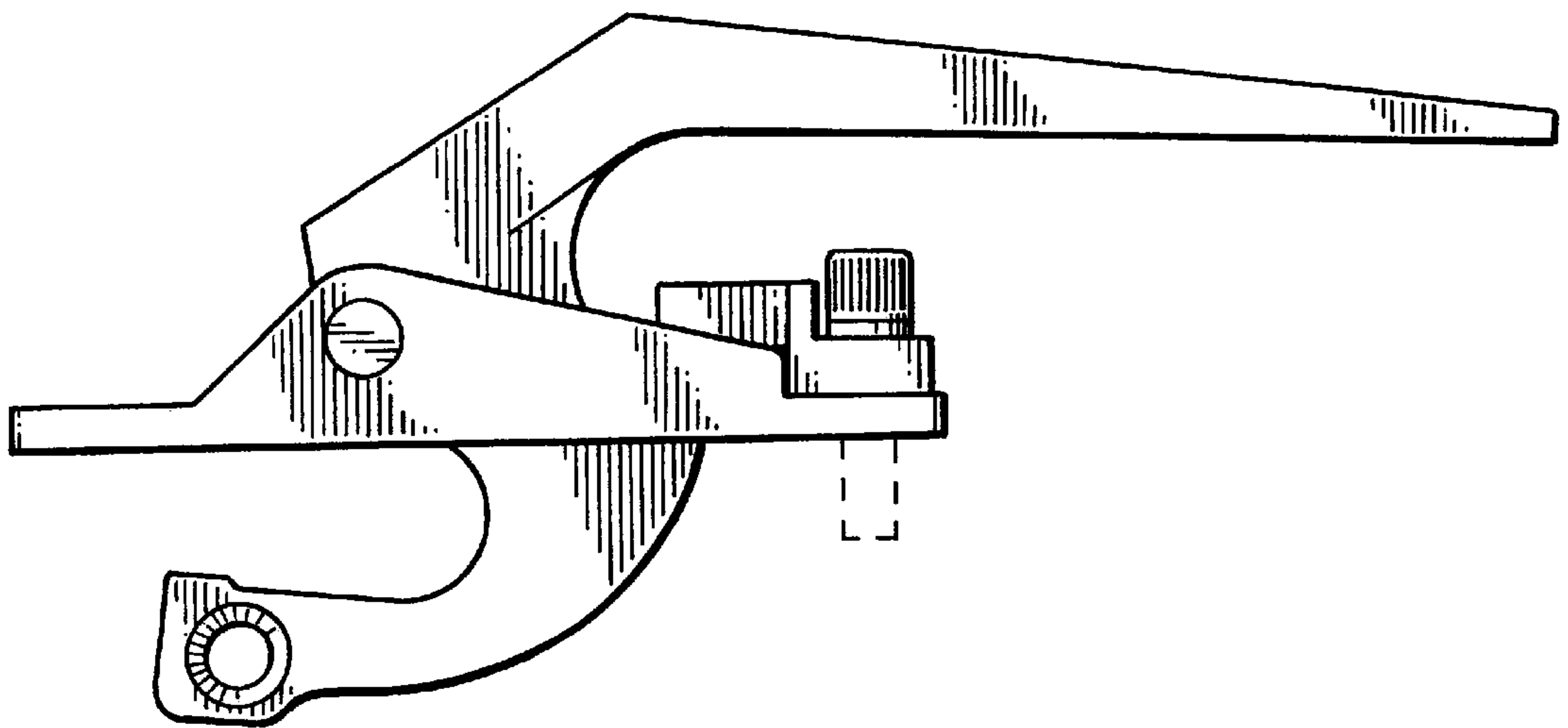


FIG. 2

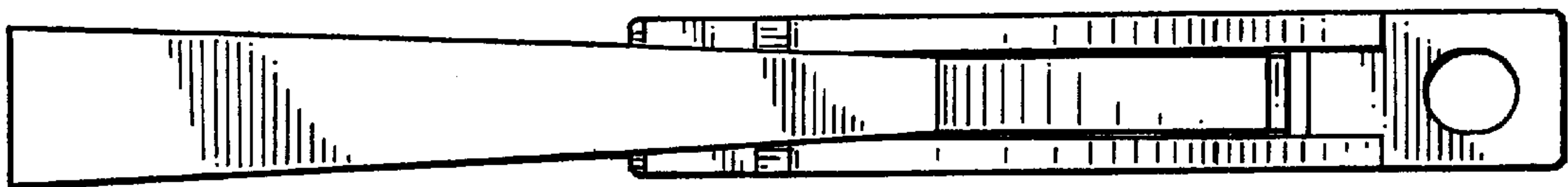


FIG. 3

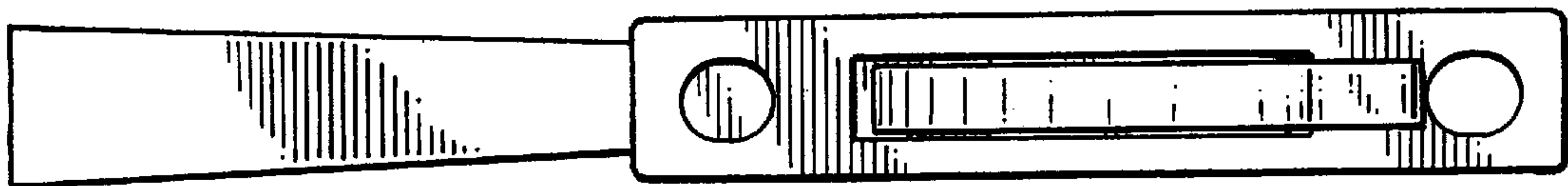


FIG. 4

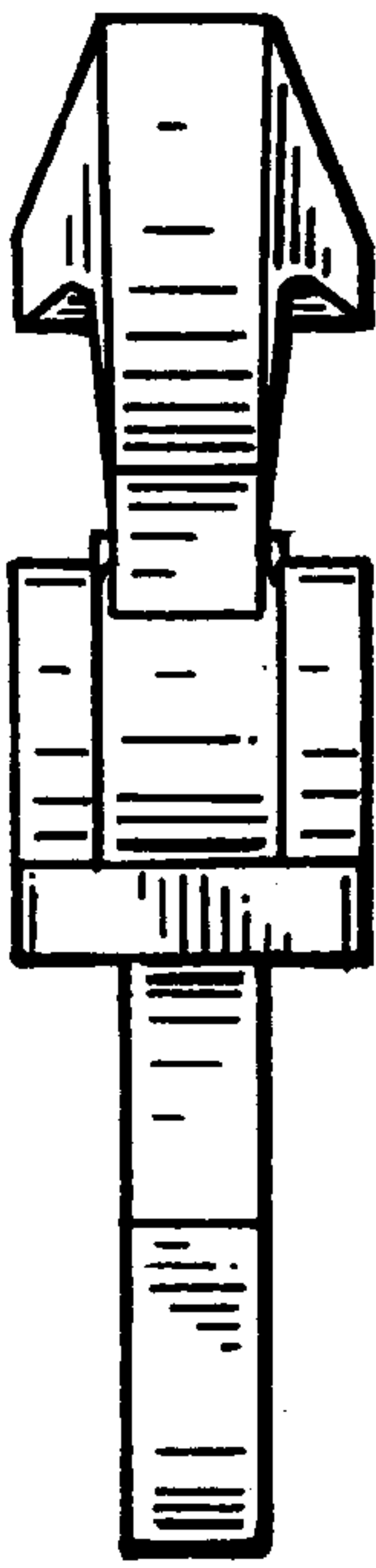


FIG. 5

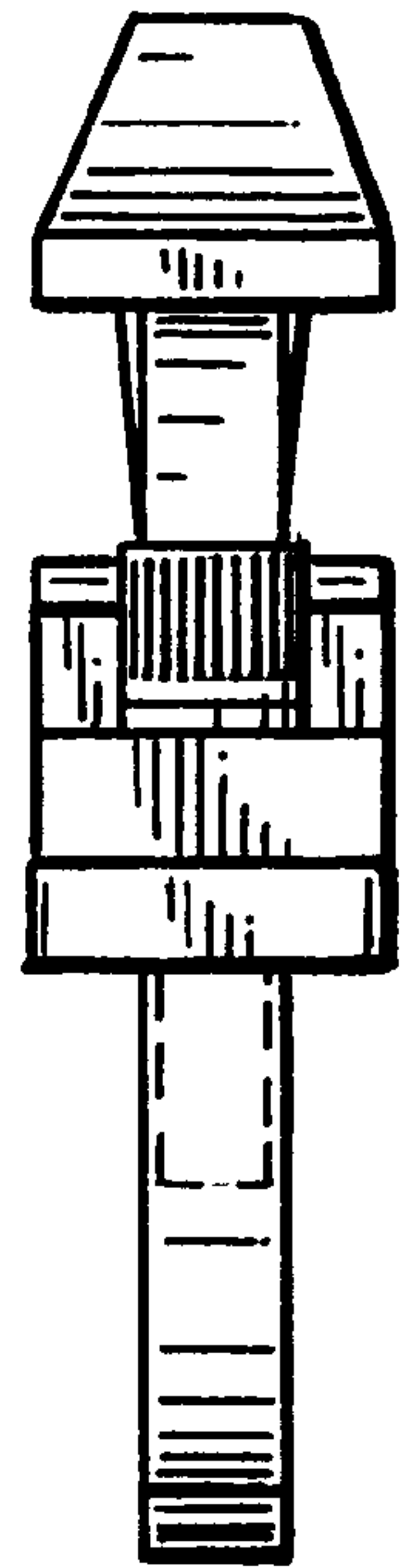


FIG. 6